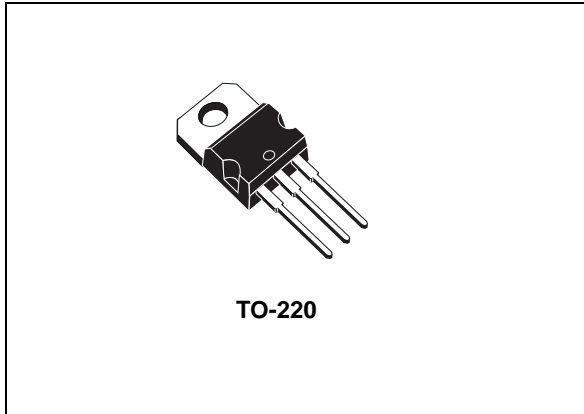


Three-terminal 3 A adjustable voltage regulators

Datasheet - production data



Features

- Output current: 3 A
- Internal current and thermal limiting
- Typical output impedance: 0.01 Ω
- Minimum input voltage: 7.5 V
- Power dissipation: 30 W

Description

The LM323 are three-terminal positive voltage regulators with a preset 5 V output and a load driving capability of 3 A. New circuit design and processing techniques are used to provide the high output current without sacrificing the regulation characteristics of lower current devices.

The 3 A regulator is virtually blowout proof.

Current limiting, power limiting and thermal shut-down provide high level of reliability. An overall worst case specification for the combined effects of input voltage, load current, ambient temperature, and power dissipation ensure that the LM323 will perform satisfactorily as a system element.

Table 1. Device summary

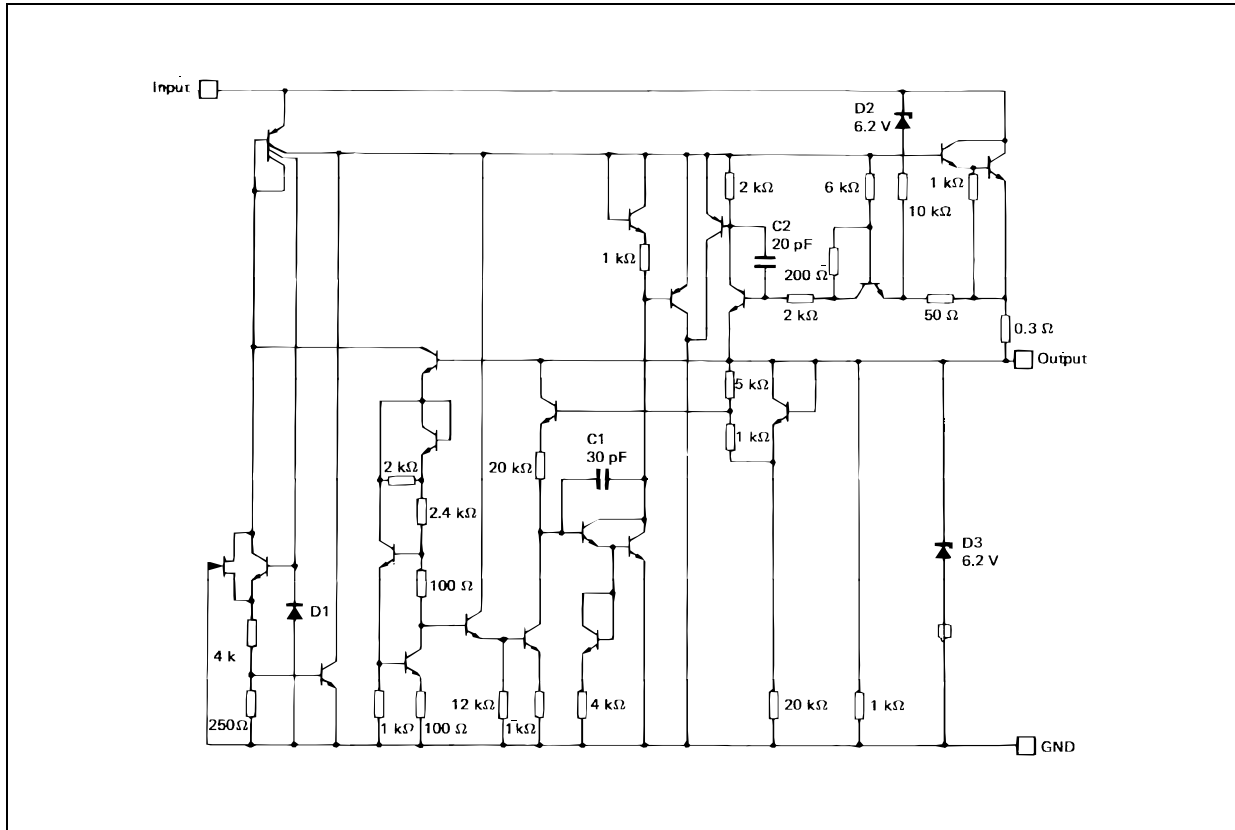
TO-220	Temperature range
LM323T	0°C to 125°C

Contents

1	Diagram	3
2	Pin configuration	4
3	Maximum ratings	5
4	Electrical characteristics	6
5	Typical characteristics	7
6	Typical application	9
7	Package mechanical data	12
8	Revision history	15

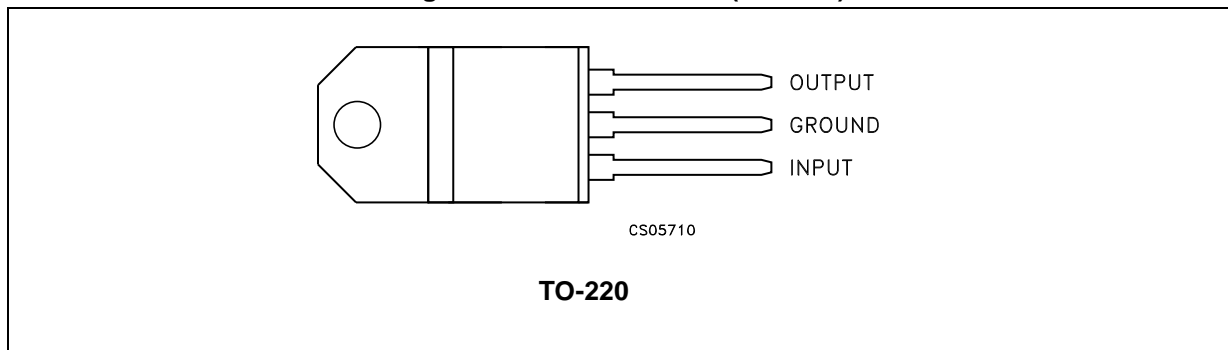
1 Diagram

Figure 1. Schematic diagram



2 Pin configuration

Figure 2. Pin connections (tot view)



3 Maximum ratings

Table 2. Absolute maximum ratings

Symbol	Parameter	Value	Unit
V_I	Input voltage	20	V
I_O	Output current	Internally limited	
P_D	Power dissipation	Internally limited	
T_{STG}	Storage temperature range	-65 to 150	°C
T_{OP}	Operating junction temperature range	0 to 125	°C

Note: Absolute maximum ratings are those values beyond which damage to the device may occur. Functional operation under these condition is not implied

Table 3. Thermal data

Symbol	Parameter	Value	Unit
R_{thJC}	Thermal resistance junction-case	3	°C/W
R_{thJA}	Thermal resistance junction-ambient	50	°C/W

4 Electrical characteristics

Table 4. Electrical characteristics ($T_J = 0$ to 125 °C, unless otherwise specified ⁽¹⁾)

Symbol	Parameter	Test conditions	Min.	Typ.	Max.	Unit
V_O	Output voltage range	$T_J = 25^\circ\text{C}$, $V_I = 7.5$ V, $I_O = 0$	4.8	5	5.2	V
V_O	Output voltage range	$T_J = T_{\min}$ to T_{\max} , $P \leq P_{\max}$ $V_I = 7.5$ to 15 V, $I_O = 0$ to 3 A	4.75		5.25	V
K_{VI}	Line regulation ⁽²⁾	$V_I = 7.5$ to 15 V, $T_J = 25^\circ\text{C}$		5	25	mV
K_{VO}	Load regulation ⁽²⁾	$I_O = 0$ to 3 A, $V_I = 7.5$ V, $T_J = 25^\circ\text{C}$		25	100	mV
I_{IB}	Quiescent current	$V_I = 7.5$ to 15 V, $I_O = 0$ to 3 A		12	20	mA
V_{NO}	Output noise voltage	$T_J = 25^\circ\text{C}$, $f = 10$ Hz to 100 kHz		40		μV_{RMS}
I_{OS}	Short circuit current limit	$V_I = 15$ V, $T_J = 25^\circ\text{C}$		3	4.5	A
		$V_I = 7.5$ V, $T_J = 25^\circ\text{C}$		4	5	
K_{VH}	Long term stability				35	mV

1. Although power dissipation is internally limited, specifications apply only for $P \leq 30$ W.
2. Load and line regulation are specified at constant junction temperature. Pulse testing is required with a pulse width ≤ 1 ms and duty cycle ≤ 5 %.

5 Typical characteristics

Figure 3. Output noise voltage

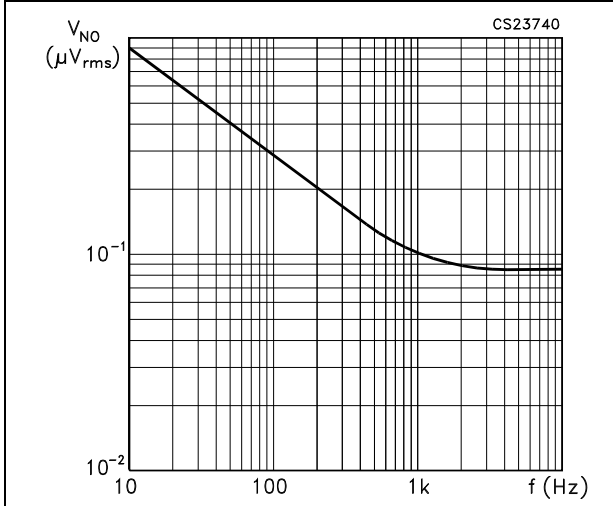


Figure 4. Output impedance

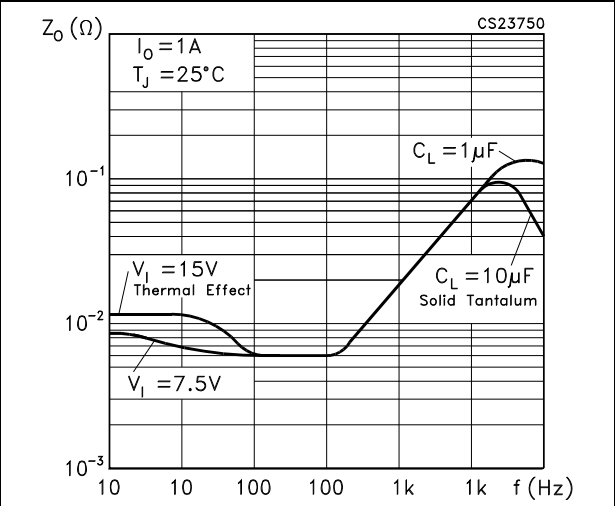


Figure 5. Peak available output current

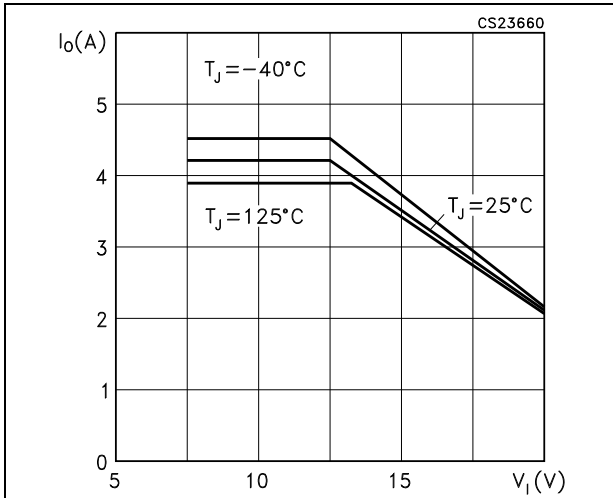


Figure 6. Short circuit current

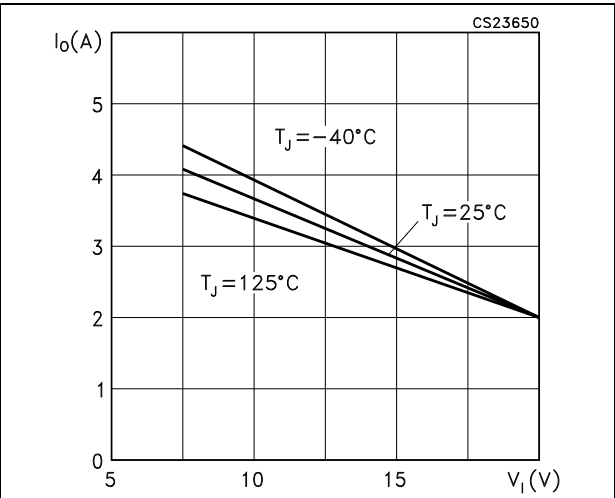


Figure 7. Ripple rejection

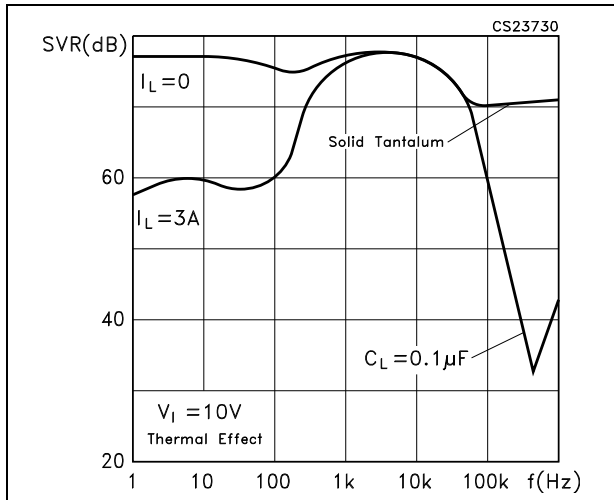


Figure 8. Dropout voltage

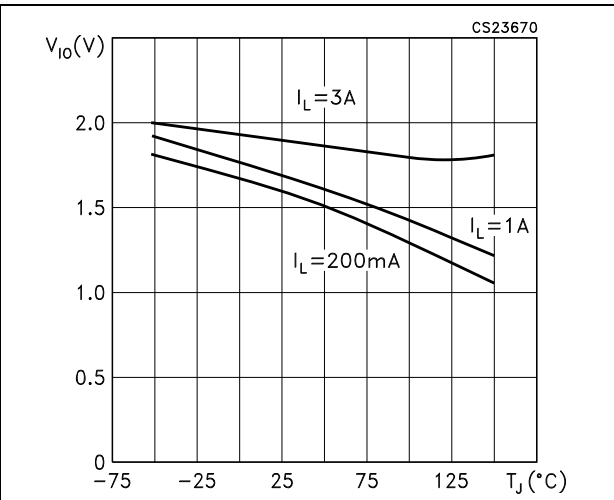


Figure 9. Line transient response

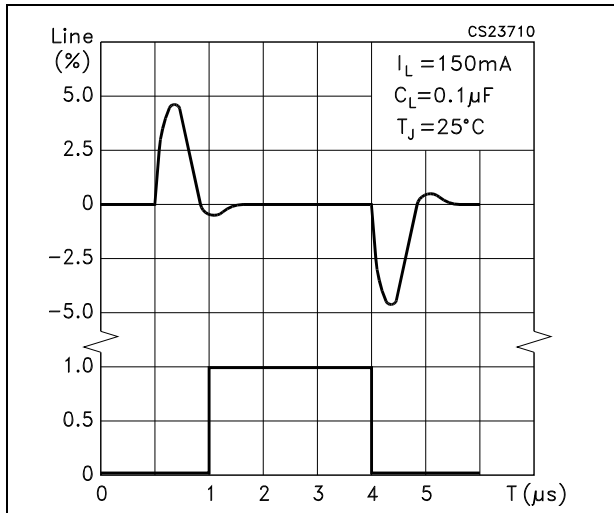


Figure 10. Output voltage

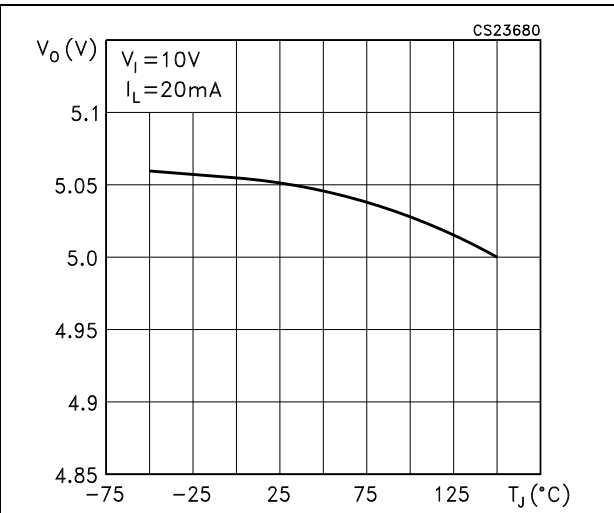


Figure 11. Quiescent current

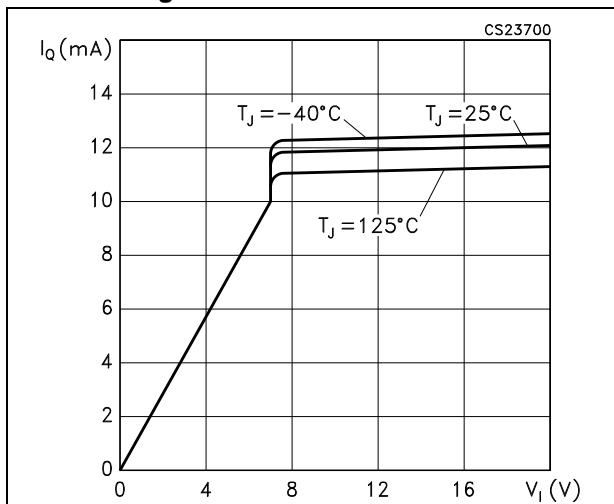
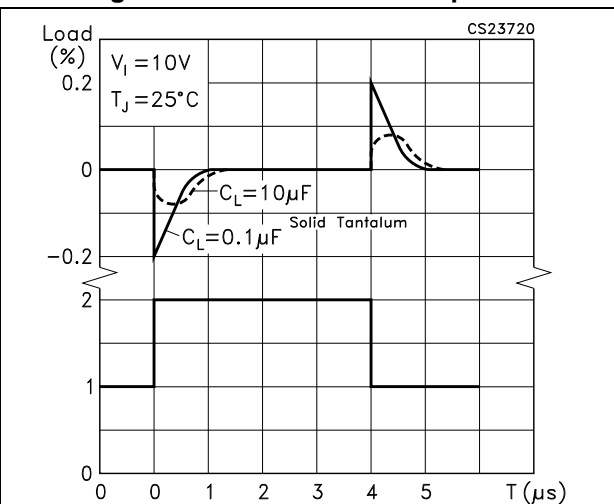
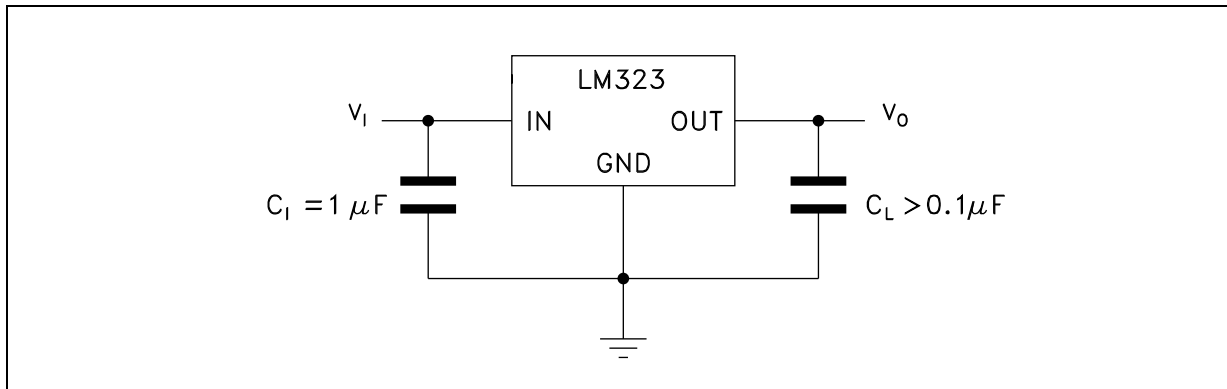


Figure 12. Load transient response



6 Typical application

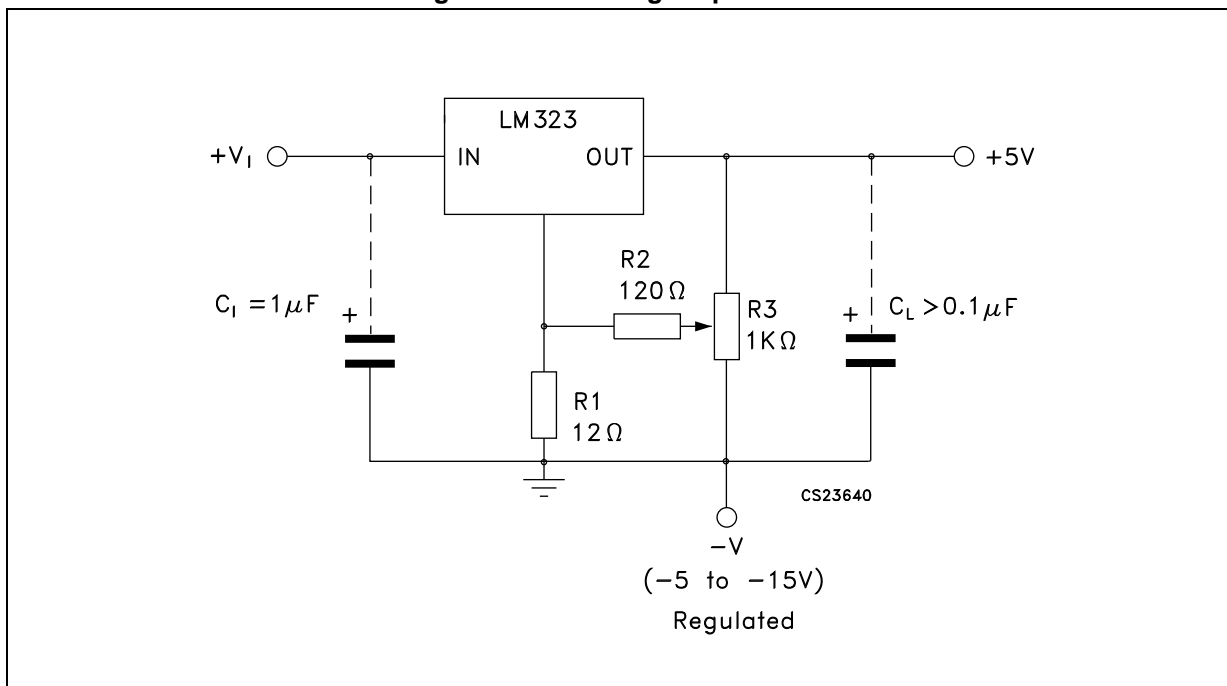
Figure 13. Basic 3 A regulator



C_1 = Required if regulator is distant from filter capacitors.

C_L = Regulator is stable with no load capacitor into resistive loads.

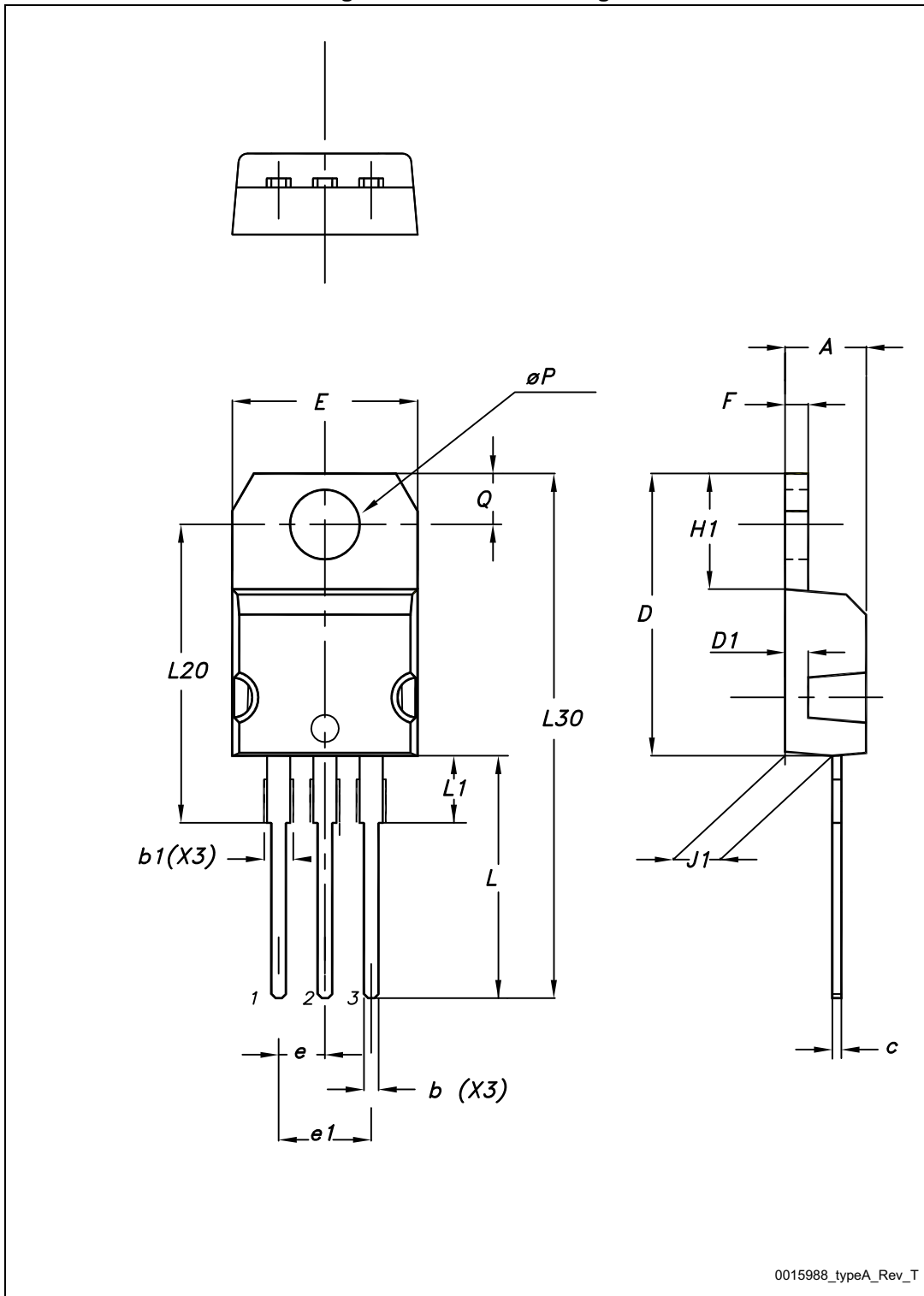
Figure 14. Trimming output to 5 V



7 Package mechanical data

In order to meet environmental requirements, ST offers these devices in different grades of ECOPACK® packages, depending on their level of environmental compliance. ECOPACK® specifications, grade definitions and product status are available at: www.st.com. ECOPACK® is an ST trademark.

Figure 17. TO-220 drawing



0015988_typeA_Rev_T

Table 5. TO-220 mechanical data

Dim.	mm		
	Min.	Typ.	Max.
A	4.40		4.60
b	0.61		0.88
b1	1.14		1.70
c	0.48		0.70
D	15.25		15.75
D1		1.27	
E	10		10.40
e	2.40		2.70
e1	4.95		5.15
F	1.23		1.32
H1	6.20		6.60
J1	2.40		2.72
L	13		14
L1	3.50		3.93
L20		16.40	
L30		28.90	
ØP	3.75		3.85
Q	2.65		2.95

8 Revision history

Table 6. Document revision history

Date	Revision	Changes
04-Nov-2005	3	Updated curves, no content change.
12-Feb-2008	4	Added: Table 1 on page 1 .
09-Apr-2014	5	Removed TO-3 package. Updated Section 2: Pin configuration , Section 3: Maximum ratings , Section 6: Typical application and Section 7: Package mechanical data . Minor text changes.

Please Read Carefully:

Information in this document is provided solely in connection with ST products. STMicroelectronics NV and its subsidiaries ("ST") reserve the right to make changes, corrections, modifications or improvements, to this document, and the products and services described herein at any time, without notice.

All ST products are sold pursuant to ST's terms and conditions of sale.

Purchasers are solely responsible for the choice, selection and use of the ST products and services described herein, and ST assumes no liability whatsoever relating to the choice, selection or use of the ST products and services described herein.

No license, express or implied, by estoppel or otherwise, to any intellectual property rights is granted under this document. If any part of this document refers to any third party products or services it shall not be deemed a license grant by ST for the use of such third party products or services, or any intellectual property contained therein or considered as a warranty covering the use in any manner whatsoever of such third party products or services or any intellectual property contained therein.

UNLESS OTHERWISE SET FORTH IN ST'S TERMS AND CONDITIONS OF SALE ST DISCLAIMS ANY EXPRESS OR IMPLIED WARRANTY WITH RESPECT TO THE USE AND/OR SALE OF ST PRODUCTS INCLUDING WITHOUT LIMITATION IMPLIED WARRANTIES OF MERCHANTABILITY, FITNESS FOR A PARTICULAR PURPOSE (AND THEIR EQUIVALENTS UNDER THE LAWS OF ANY JURISDICTION), OR INFRINGEMENT OF ANY PATENT, COPYRIGHT OR OTHER INTELLECTUAL PROPERTY RIGHT.

ST PRODUCTS ARE NOT DESIGNED OR AUTHORIZED FOR USE IN: (A) SAFETY CRITICAL APPLICATIONS SUCH AS LIFE SUPPORTING, ACTIVE IMPLANTED DEVICES OR SYSTEMS WITH PRODUCT FUNCTIONAL SAFETY REQUIREMENTS; (B) AERONAUTIC APPLICATIONS; (C) AUTOMOTIVE APPLICATIONS OR ENVIRONMENTS, AND/OR (D) AEROSPACE APPLICATIONS OR ENVIRONMENTS. WHERE ST PRODUCTS ARE NOT DESIGNED FOR SUCH USE, THE PURCHASER SHALL USE PRODUCTS AT PURCHASER'S SOLE RISK, EVEN IF ST HAS BEEN INFORMED IN WRITING OF SUCH USAGE, UNLESS A PRODUCT IS EXPRESSLY DESIGNATED BY ST AS BEING INTENDED FOR "AUTOMOTIVE, AUTOMOTIVE SAFETY OR MEDICAL" INDUSTRY DOMAINS ACCORDING TO ST PRODUCT DESIGN SPECIFICATIONS. PRODUCTS FORMALLY ESCC, QML OR JAN QUALIFIED ARE DEEMED SUITABLE FOR USE IN AEROSPACE BY THE CORRESPONDING GOVERNMENTAL AGENCY.

Resale of ST products with provisions different from the statements and/or technical features set forth in this document shall immediately void any warranty granted by ST for the ST product or service described herein and shall not create or extend in any manner whatsoever, any liability of ST.

ST and the ST logo are trademarks or registered trademarks of ST in various countries.

Information in this document supersedes and replaces all information previously supplied.

The ST logo is a registered trademark of STMicroelectronics. All other names are the property of their respective owners.

© 2014 STMicroelectronics - All rights reserved

STMicroelectronics group of companies

Australia - Belgium - Brazil - Canada - China - Czech Republic - Finland - France - Germany - Hong Kong - India - Israel - Italy - Japan - Malaysia - Malta - Morocco - Philippines - Singapore - Spain - Sweden - Switzerland - United Kingdom - United States of America

www.st.com