

RF power transistor: HF/VHF/UHF N-channel power MOSFETs

Datasheet — production data

Features

- Gold metallization
- Excellent thermal stability
- Common source configuration
- $P_{OUT} = 150\text{ W}$ min. with 14 dB gain @ 175 MHz
- Thermally enhanced packaging for lower junction temperatures

Description

The SD2931-10 is a gold metallized N-channel MOS field-effect RF power transistor. Being electrically identical to the standard SD2931 MOSFET, it is intended for use in 50 V dc large signal applications up to 230 MHz.

The SD2931-10 is mechanical compatible to the SD2931 but offers in addition a better thermal capability (25 % lower thermal resistance), representing the best-in-class transistors for ISM applications, where reliability and ruggedness are critical factors.

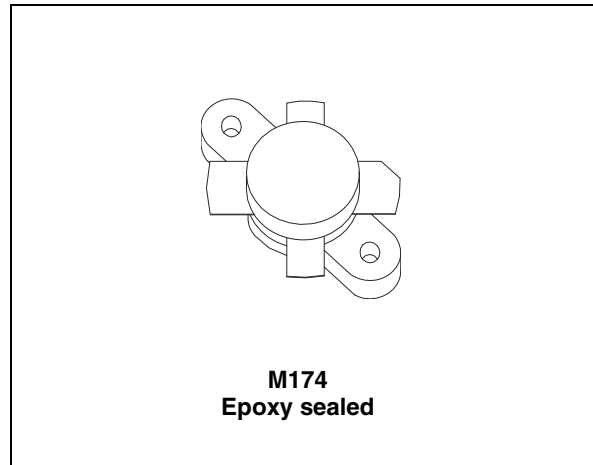


Figure 1. Pin connection

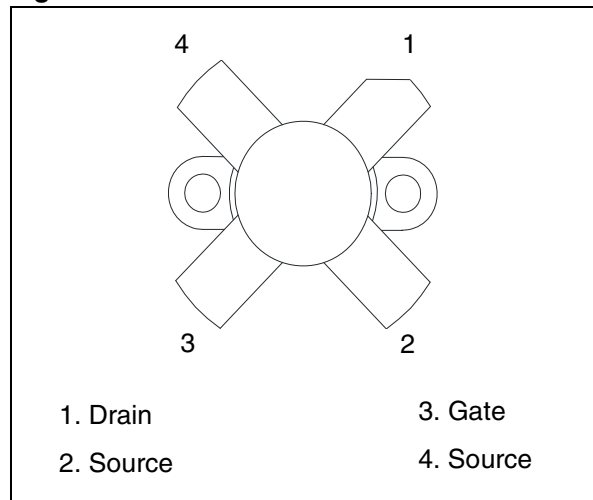


Table 1. Device summary

Order code	Marking	Base qty.	Package	Packaging ⁽¹⁾
SD2931-10W	SD2931-10	25 pcs	M174	Plastic tray

1. For more details please refer to [Chapter 11: Marking, packing and shipping specifications](#).

Contents

1	Electrical data	3
1.1	Maximum ratings	3
1.2	Thermal data	3
2	Electrical characteristics	4
2.1	Static	4
2.2	Dynamic	4
3	Transient thermal impedance	6
4	Impedance data	8
5	Typical performance	9
6	Typical performance @ 175 MHz	10
7	Test circuit	11
8	Typical performance @ 30 MHz	13
9	Test circuit @ 30 MHz	14
10	Package mechanical data	15
11	Marking, packing and shipping specifications	17
12	Revision history	18

1 Electrical data

1.1 Maximum ratings

($T_{CASE} = 25\text{ °C}$).

Table 2. Absolute maximum ratings

Symbol	Parameter	Value	Unit
$V_{(BR)DSS}^{(1)}$	Drain source voltage	125	V
V_{DGR}	Drain-gate voltage ($R_{GS} = 1\text{ M}\Omega$)	125	V
V_{GS}	Gate-source voltage	± 20	V
I_D	Drain current	20	A
P_{DISS}	Power dissipation	389	W
T_J	Max. operating junction temperature	200	$^{\circ}\text{C}$
T_{STG}	Storage temperature	-65 to +150	$^{\circ}\text{C}$

1. $T_J = 150^{\circ}\text{C}$

1.2 Thermal data

Table 3. Thermal data

Symbol	Parameter	Value	Unit
R_{thJC}	Junction - case thermal resistance	0.45	$^{\circ}\text{C/W}$

2 Electrical characteristics

($T_{CASE} = 25\text{ °C}$).

2.1 Static

Table 4. Static (per side)

Symbol	Test conditions			Min	Typ	Max	Unit
$V_{(BR)DSS}$	$V_{GS} = 0$	$I_{DS} = 100\text{ mA}$		125			V
I_{DSS}	$V_{GS} = 0$	$V_{DS} = 50\text{ V}$				50	μA
I_{GSS}	$V_{GS} = 20$	$V_{DS} = 0$				250	nA
$V_{GS(Q)}^{(1)}$	$V_{DS} = 10\text{ V}$	$I_D = 250\text{ mA}$		See table below			V
$V_{DS(ON)}$	$V_{GS} = 10\text{ V}$	$I_D = 10\text{ A}$				3.0	V
G_{FS}	$V_{DS} = 10\text{ V}$	$I_D = 5\text{ A}$		5	6		mho
C_{ISS}	$V_{GS} = 0$	$V_{DS} = 50\text{ V}$	$f = 1\text{ MHz}$		480		pF
C_{OSS}	$V_{GS} = 0$	$V_{DS} = 50\text{ V}$	$f = 1\text{ MHz}$		190		pF
C_{RSS}	$V_{GS} = 0$	$V_{DS} = 50\text{ V}$	$f = 1\text{ MHz}$		18		pF

1. $V_{GS(Q)}$ sorted with alpha/numeric code marked on unit.

2.2 Dynamic

Table 5. Dynamic

Symbol	Test conditions			Min	Typ	Max	Unit
P_{OUT}	$V_{DD} = 50\text{ V}$	$I_{DQ} = 250\text{ mA}$	$f = 175\text{ MHz}$	150			W
G_{PS}	$V_{DD} = 50\text{ V}$	$I_{DQ} = 250\text{ mA}$	$P_{OUT} = 150\text{ W}$	14	15		dB
η_D	$V_{DD} = 50\text{ V}$	$I_{DQ} = 250\text{ mA}$	$P_{OUT} = 150\text{ W}$	55	65		%
Load mismatch	$V_{DD} = 50\text{ V}$	$I_{DQ} = 250\text{ mA}$	$P_{OUT} = 150\text{ W}$	10:1			VSWR
	All phase angles						

Table 6. V_{GS} sorts

Symbol	Value	Symbol	Value
A	2.0 - 2.1	K	2.9 - 3.0
B	2.1 - 2.2	L	3.0 - 3.1
C	2.2 - 2.3	M	3.1 - 3.2
D	2.3 - 2.4	N	3.2 - 3.3
E	2.4 - 2.5	P	3.3 - 3.4
F	2.5 - 2.6	Q	3.4 - 3.5
G	2.6 - 2.7	R	3.5 - 3.6
H	2.7 - 2.8	S	3.6 - 3.7
J	2.8 - 2.9		

3 Transient thermal impedance

Figure 2. Transient thermal impedance

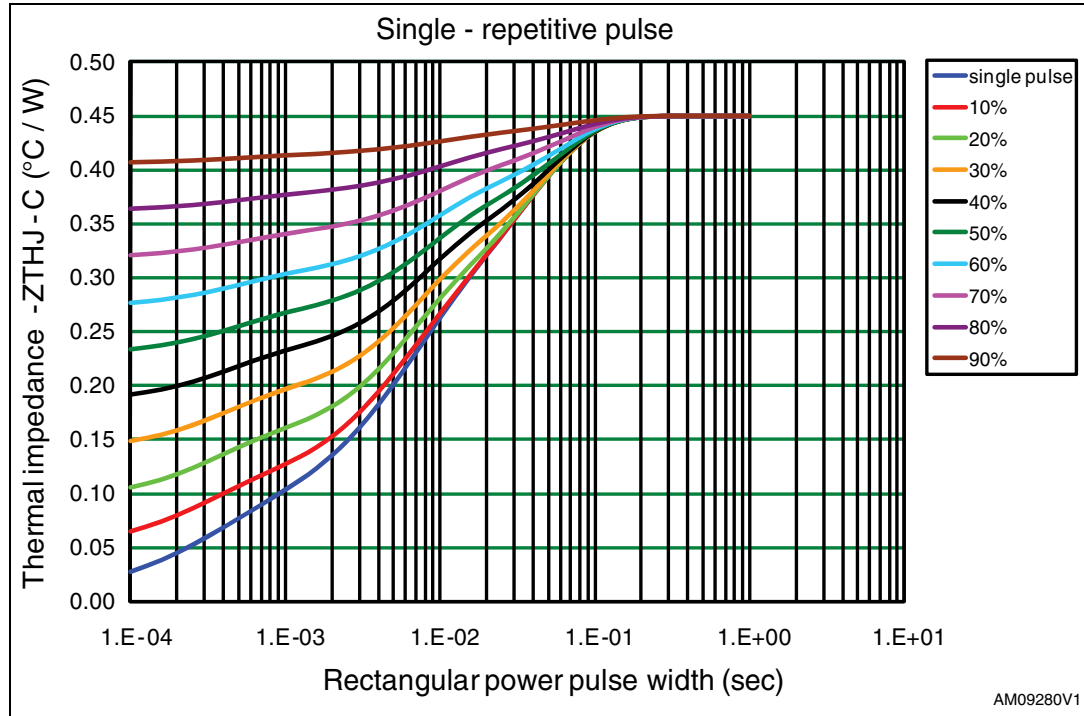
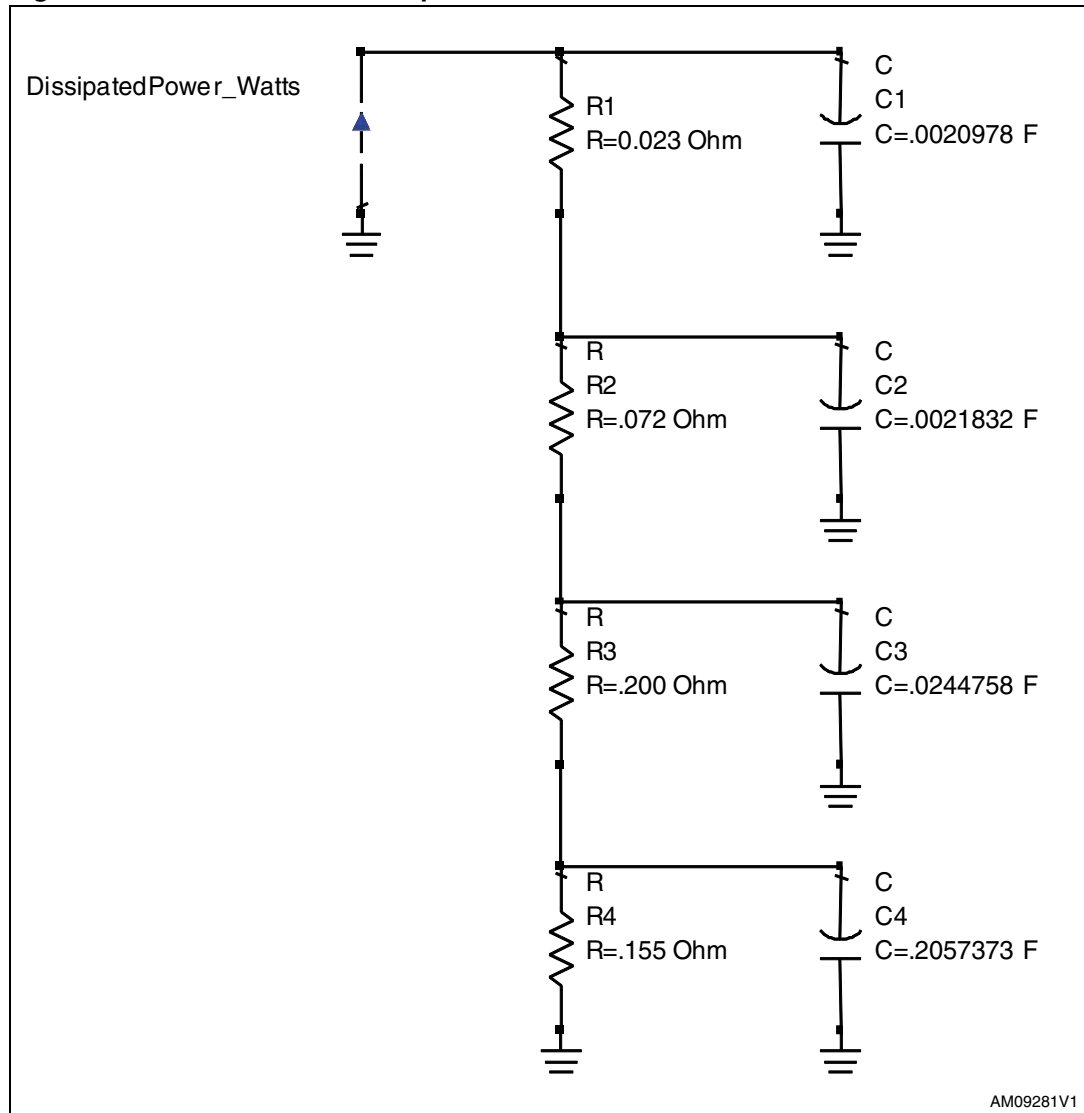


Figure 3. Transient thermal impedance model



4 Impedance data

Figure 4. Impedance data

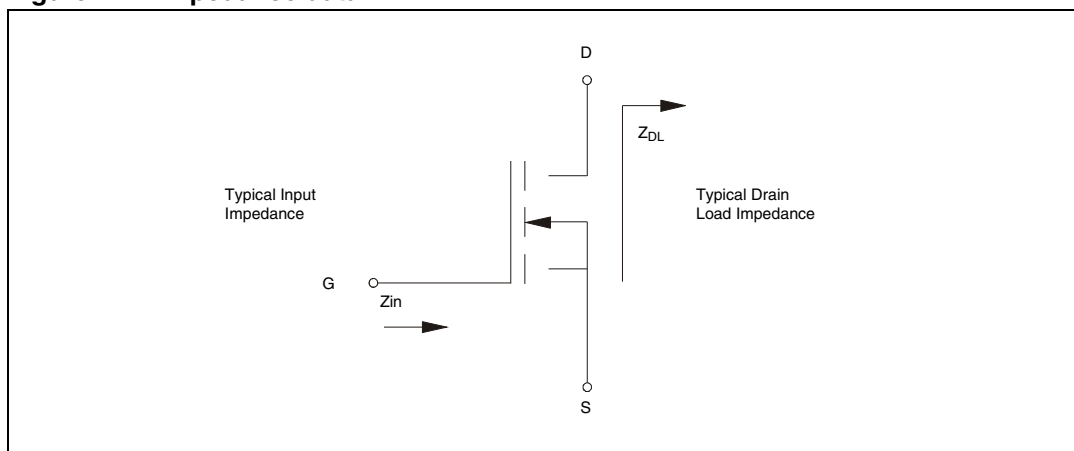


Table 7. Impedance data

Freq	$Z_{IN} (\Omega)$	$Z_{DL} (\Omega)$
30 MHz	$1.7 - j 5.7$	$6.8 + j 0.9$
175 MHz	$1.2 - j 2.0$	$2.0 + j 2.4$

5 Typical performance

Figure 5. Capacitance vs drain-source voltage

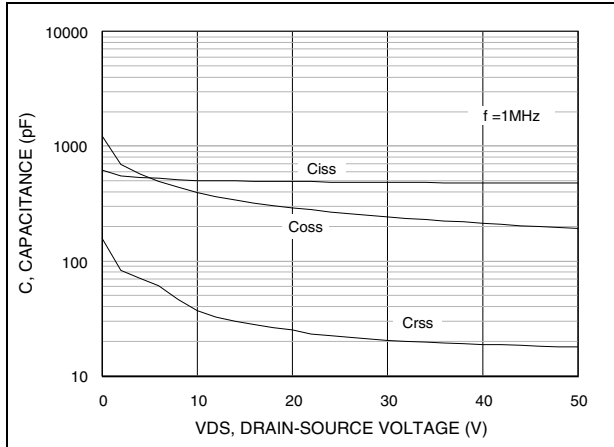


Figure 6. Drain current vs gate voltage

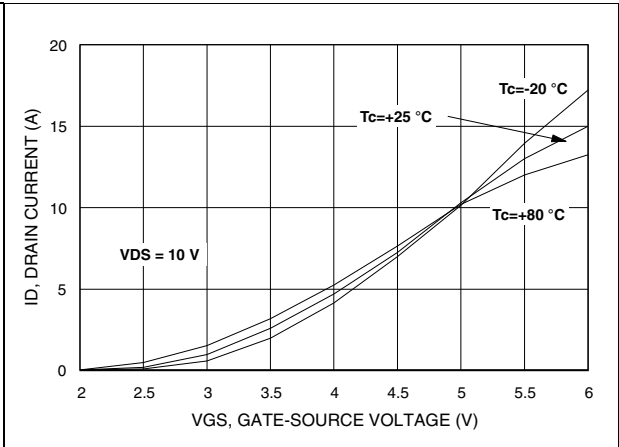


Figure 7. Gate-source voltage vs case temperature

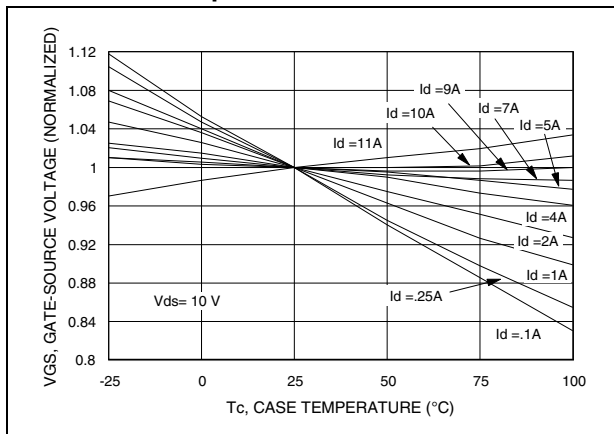


Figure 8. Maximum thermal resistance vs case temperature

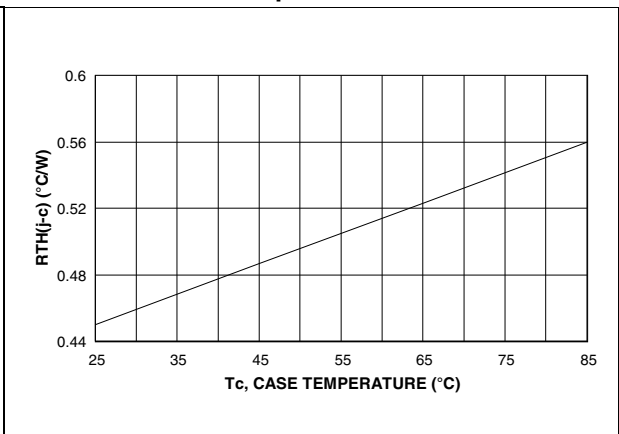
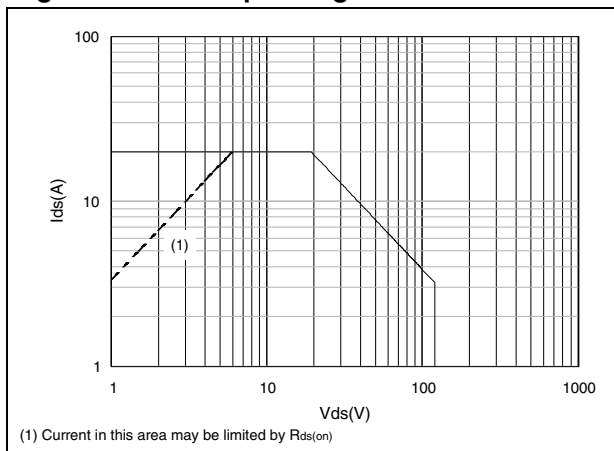


Figure 9. Safe operating area



6 Typical performance @ 175 MHz

Figure 10. Output power vs input power

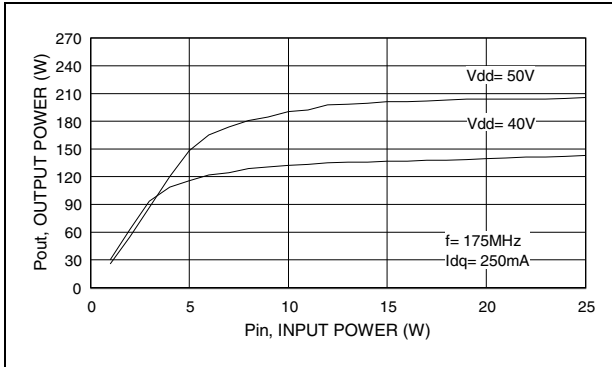


Figure 11. Output power vs input power

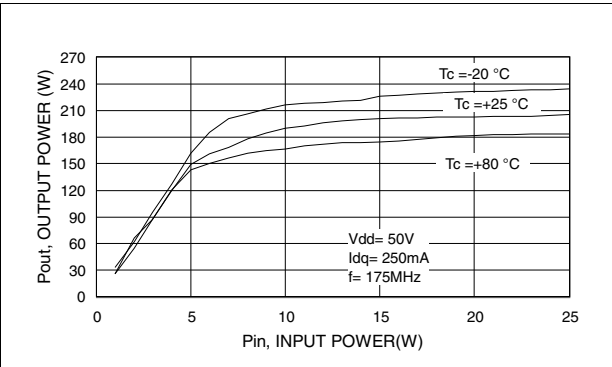


Figure 12. Power gain vs output power

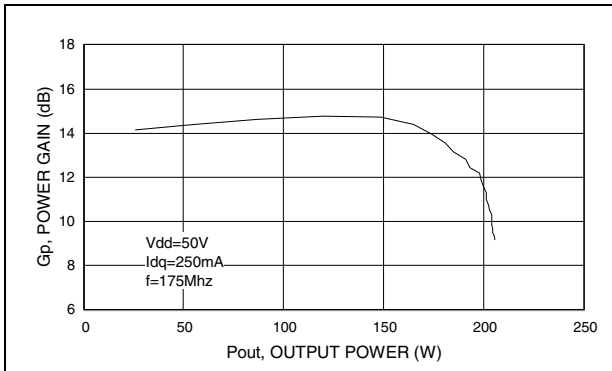


Figure 13. Efficiency vs output power

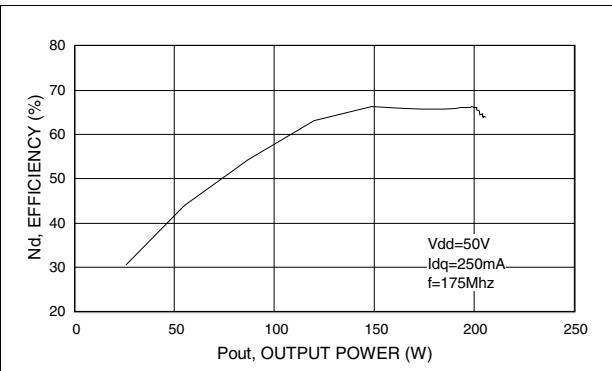


Figure 14. Output power vs supply voltage

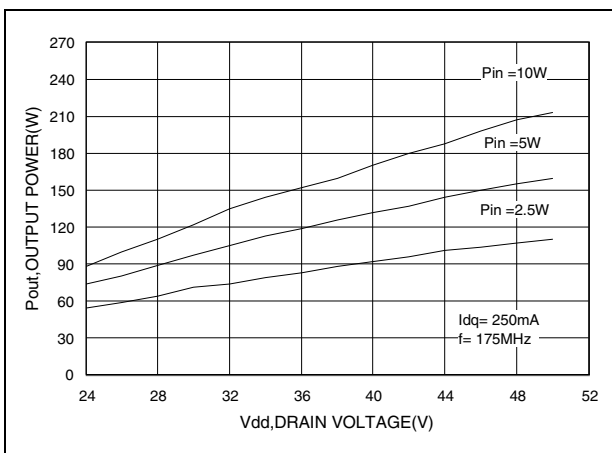
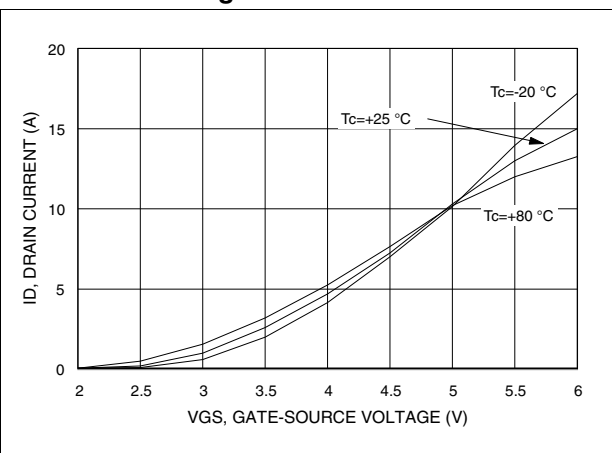


Figure 15. Drain current vs gate-source voltage



7 Test circuit

Figure 16. 175 MHz schematic (production test circuit)

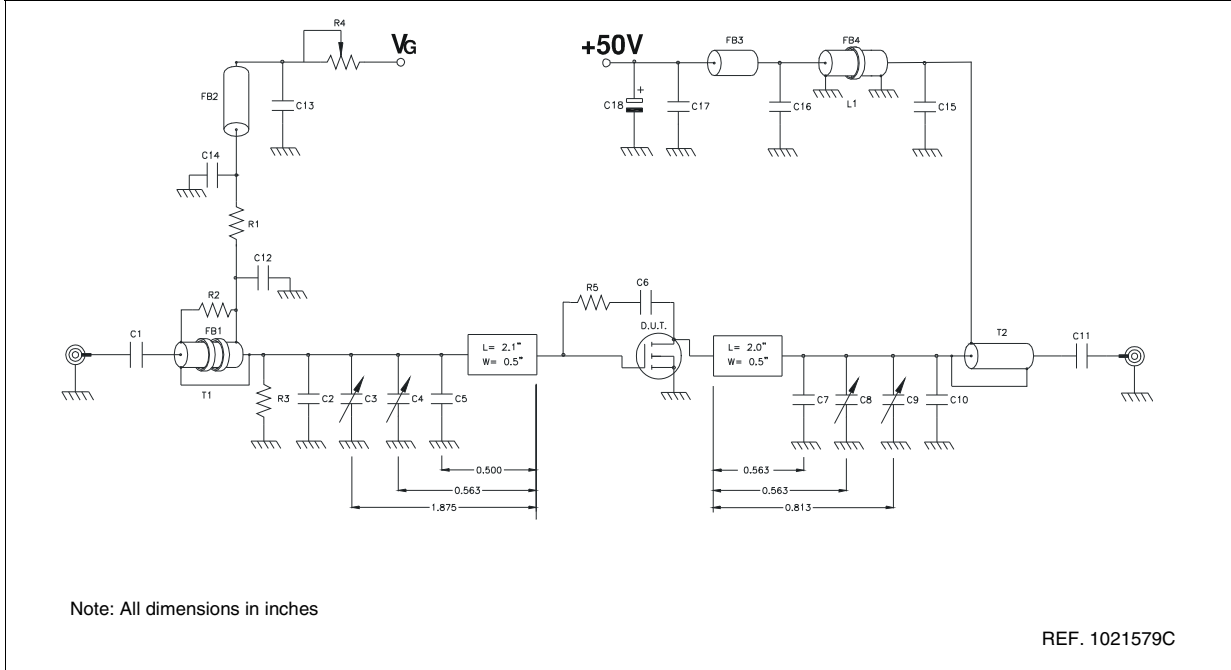


Table 8. Component part list

Component	Description
T1	4:1 transformer, 25 ohm flexible coax .090 OD 6" long
T2	1:4 transformer, 25 ohm semi-rigid coax .141 OD 6" long
FB1	Toroid X 2, 0.5" OD .312" ID 850μ 2 turns
FB2, FB3	VK200
FB4	Shield bead, 1" OD 0.5" ID 850μ 3 turns
L1	1/4 wave choke, 50 ohm semi-rigid coax .141 OD 12" Long
PCB	0.62" woven fiberglass, 1 oz. copper, 2 sides, εr = 2.55
R1, R3	470 ohm 1 W chip resistor
R2	360 ohm 1/2 W resistor
R4	20 Kohm 10 turn potentiometer
R5	560 ohm 1 W resistor
C1, C11	470 pF ATC chip cap
C2	43 pF ATC chip cap
C3, C8, C9	Arco 404, 12-65 pF
C4	Arco 423, 16-100 pF

Table 8. Component part list (continued)

Component	Description
C5	120 pF ATC chip cap
C6	0.01 μ F ATC chip cap
C7	30 pF ATC chip cap
C10	91 pF ATC chip cap
C12, C15	1200 pF ATC chip cap
C13, C14, C16, C17	0.01 μ F / 500 V chip cap
C18	10 μ F 63 V electrolytic capacitor

Figure 17. 175 MHz test circuit photomaster

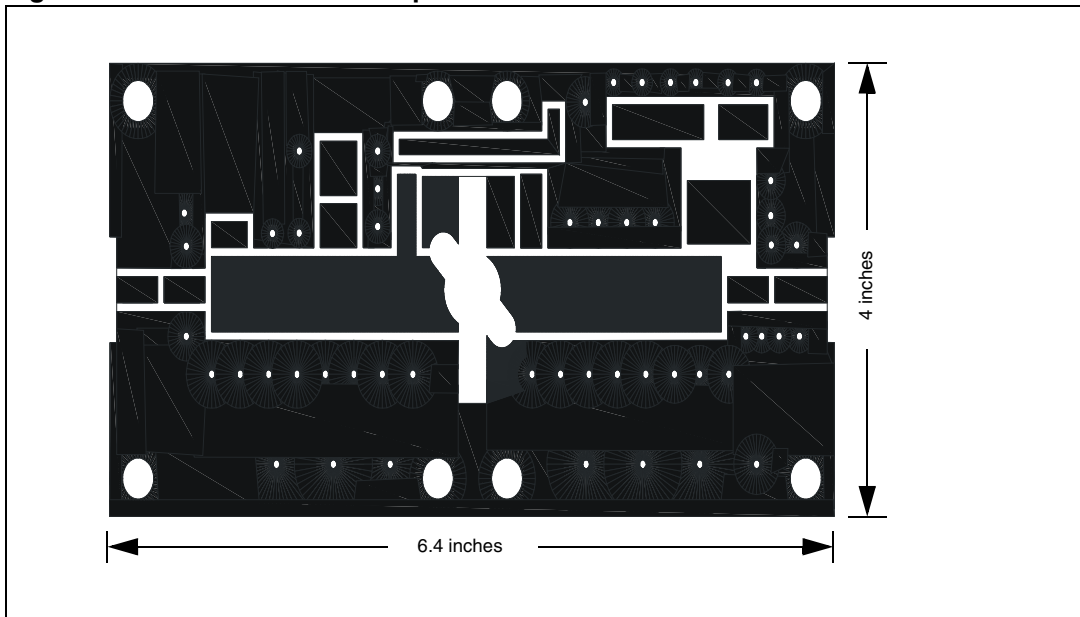
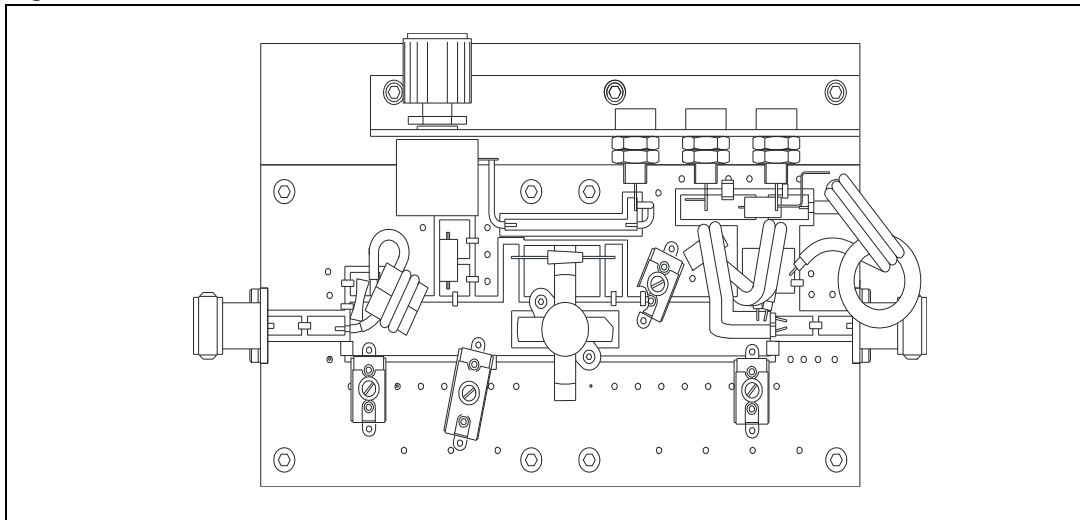


Figure 18. 175 MHz test circuit



8 Typical performance @ 30 MHz

Figure 19. Output power vs input power

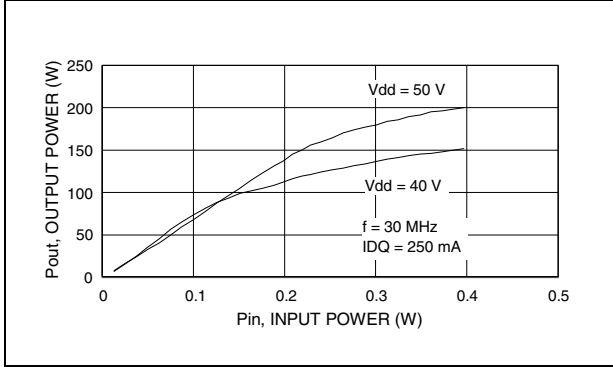


Figure 20. Power gain vs output power

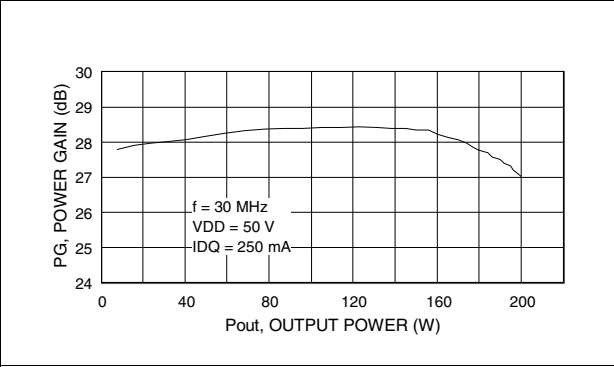


Figure 21. Efficiency vs output power

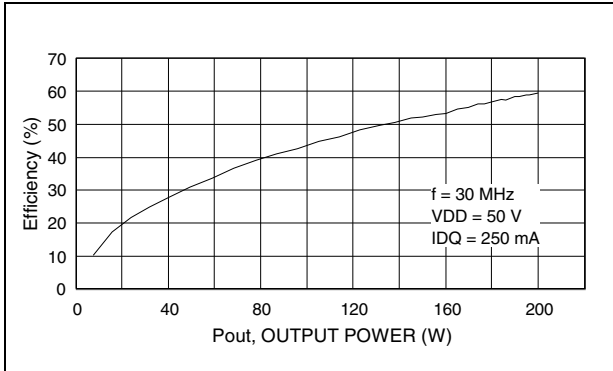


Figure 22. Output power vs supply voltage

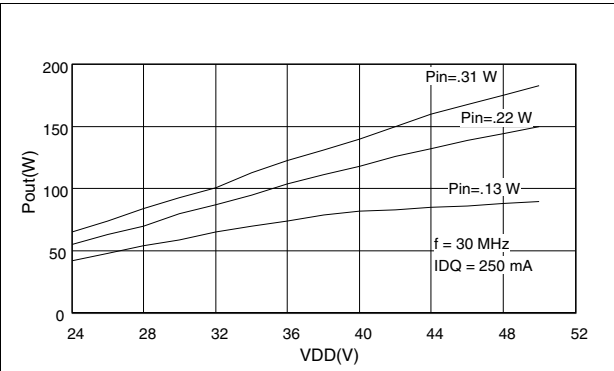
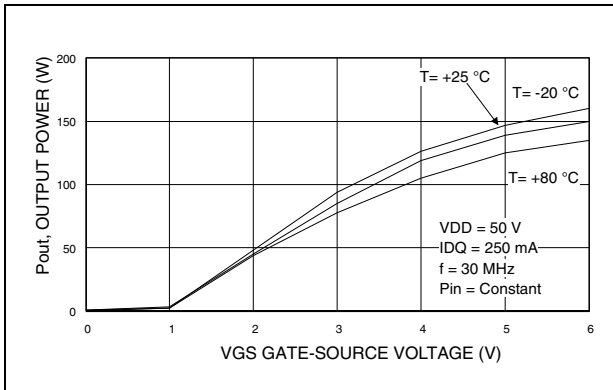


Figure 23. Output power vs gate voltage



9 Test circuit @ 30 MHz

Figure 24. 30 MHz test circuit schematic (engineering test circuit)

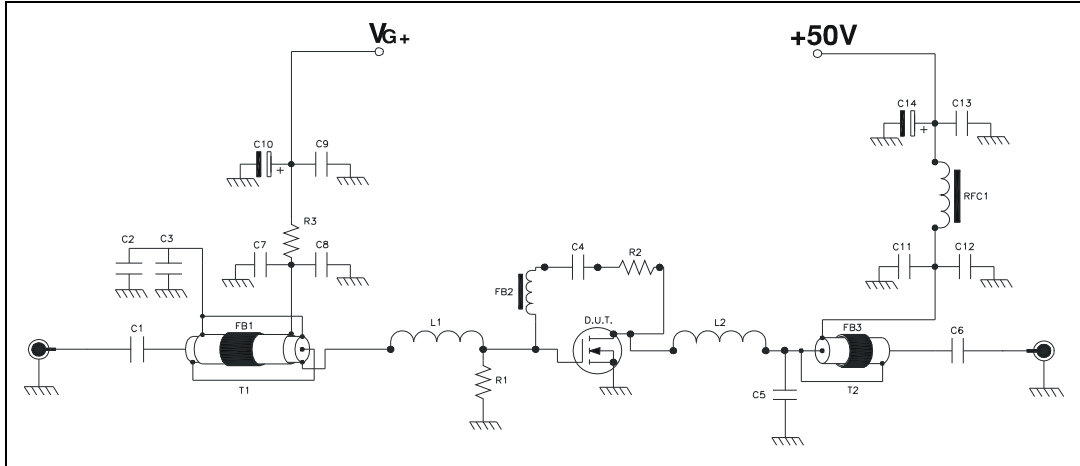


Figure 25. 30 MHz test circuit part list

Symbol	Description
T1	9:1 transformer, 25 Ω flexible coax with extra shield .090 OD 15" long
T2	1:4 transformer, 50 Ω flexible coax .225 OD 15" long
FB1	Toroid 1.7" OD .30" ID 220 μ 4 turns
FB2	Surface mount EMI shield bead
FB3	Toroid 1.7" OD .300" ID 220μ 3 turns
RFC1	Toroid 0.5" OD 0.30" ID 125μ 4 turns 12 awg wire
PCB	0.62" woven fiberglass, 1 oz. Copper, 2 Sides, εr = 2.55
R1, R3	1 KΩ 1 W chip resistor
R2	680 Ω 3 W wirewound resistor
C1,C4,C6,C7,C8, C9, C11,C12,C13	0.1 μF ATC chip cap
C2, C3	750 pF ATC chip cap
C5	470 pF ATC chip cap
C10	10 μF 63 V electrolytic capacitor
C14	100 μF 63 V electrolytic capacitor

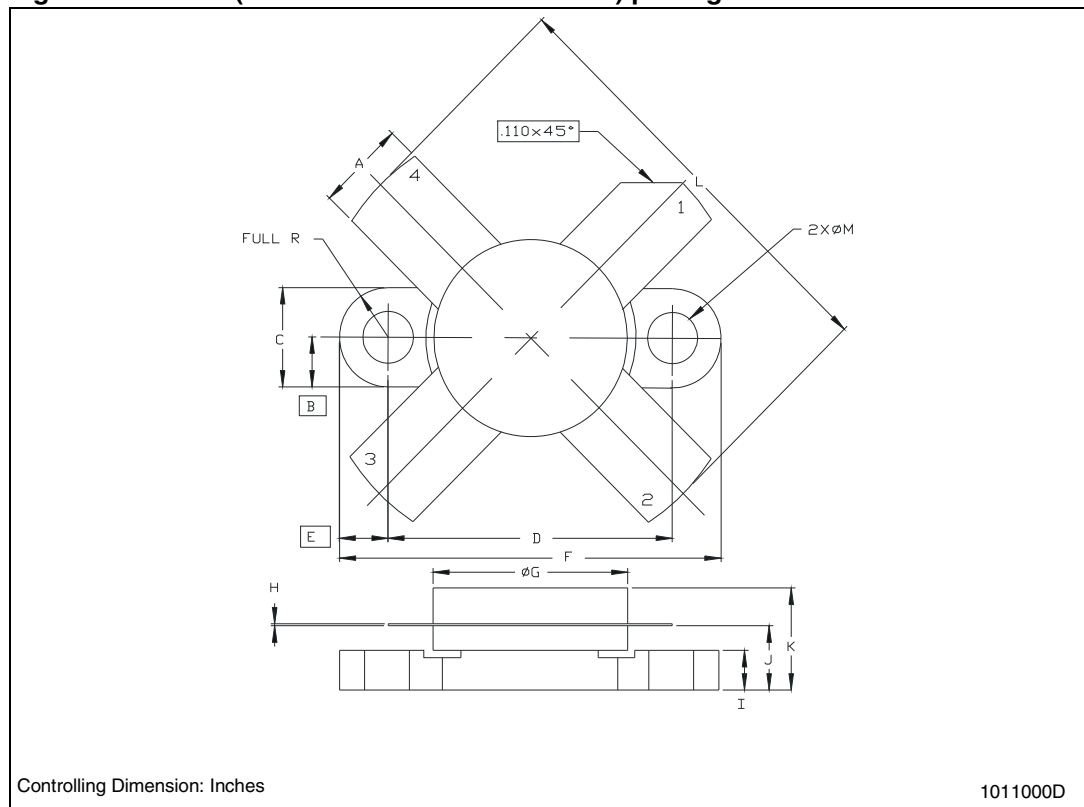
10 Package mechanical data

In order to meet environmental requirements, ST offers these devices in different grades of ECOPACK® packages, depending on their level of environmental compliance. ECOPACK® specifications, grade definitions and product status are available at: www.st.com. ECOPACK is an ST trademark.

Table 9. M174 (0.500 DIA 4/L N/HERM W/FLG) mechanical data

Dim.	mm.			Inch		
	Min	Typ	Max	Min	Typ	Max
A	5.56		5.584	0.219		0.230
B		3.18			0.125	
C	6.22		6.48	0.245		0.255
D	18.28		18.54	0.720		0.730
E		3.18			0.125	
F	24.64		24.89	0.970		0.980
G	12.57		12.83	0.495		0.505
H	0.08		0.18	0.003		0.007
I	2.11		3.00	0.083		0.118
J	3.81		4.45	0.150		0.175
K			7.11			0.280
L	25.53		26.67	1.005		1.050
M	3.05		3.30	0.120		0.130

Figure 26. M174 (0.500 DIA 4/L N/HERM W/FLG) package dimensions



11 Marking, packing and shipping specifications

Table 10. Packing and shipping specifications

Order code	Packaging	Pcs per tray	Dry pack humidity	V _{GS}	Lot code
SD2931-10W	Plastic tray	25	< 10 %	Not mixed	Not mixed

Figure 27. Marking drawing

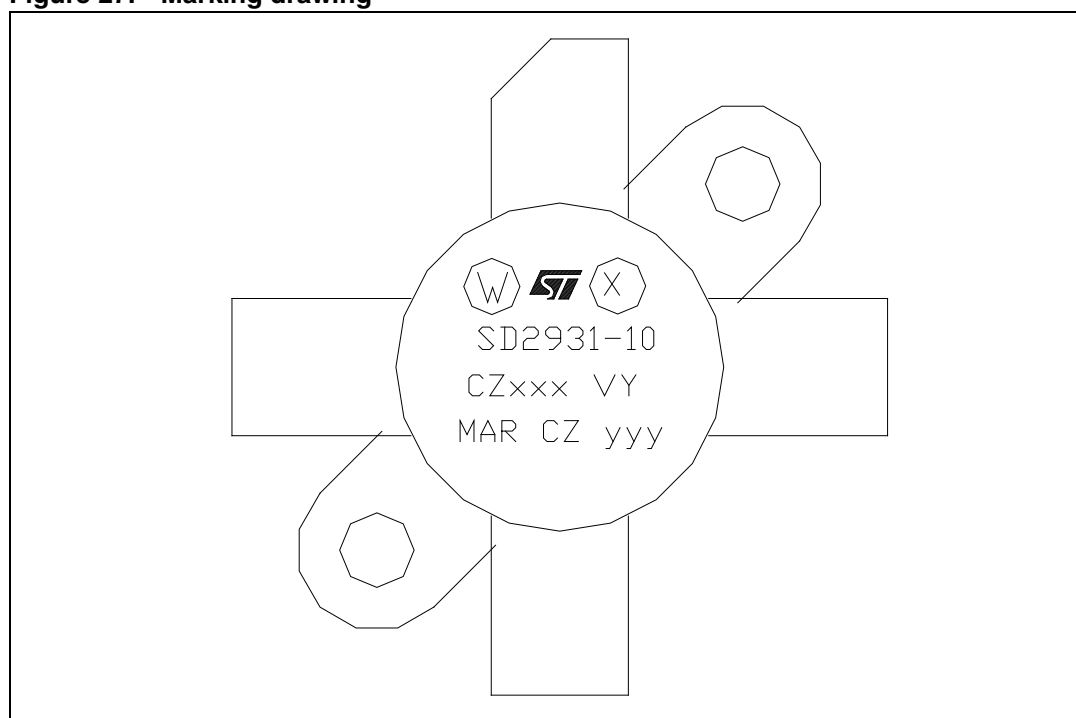


Table 11. Marking specifications

Symbol	Description
W	Wafer process code
X	V _{GS} sort
CZ	Assembly plant
xxx	Last 3 digit of diffusion lot
VY	Diffusion plant
MAR	County of origin
CZ	Test and finishing plant
y	Assembly year
yy	Assembly week

12 Revision history

Table 12. Document revision history

Date	Revision	Changes
09-Sep-2004	4	
17-Jun-2004	5	Updated Table 5: Dynamic on page 4
04-Mar-2008	6	Updated Table 4: Static (per side) , Table 5: Dynamic and Table 6: VGS sorts on page 5
08-Feb-2011	7	Inserted Chapter 11: Marking, packing and shipping specifications .
12-Jan-2012	8	Inserted Chapter 3: Transient thermal impedance .
19-Dec-2012	9	Updated Table 10: Packing and shipping specifications

Please Read Carefully:

Information in this document is provided solely in connection with ST products. STMicroelectronics NV and its subsidiaries ("ST") reserve the right to make changes, corrections, modifications or improvements, to this document, and the products and services described herein at any time, without notice.

All ST products are sold pursuant to ST's terms and conditions of sale.

Purchasers are solely responsible for the choice, selection and use of the ST products and services described herein, and ST assumes no liability whatsoever relating to the choice, selection or use of the ST products and services described herein.

No license, express or implied, by estoppel or otherwise, to any intellectual property rights is granted under this document. If any part of this document refers to any third party products or services it shall not be deemed a license grant by ST for the use of such third party products or services, or any intellectual property contained therein or considered as a warranty covering the use in any manner whatsoever of such third party products or services or any intellectual property contained therein.

UNLESS OTHERWISE SET FORTH IN ST'S TERMS AND CONDITIONS OF SALE ST DISCLAIMS ANY EXPRESS OR IMPLIED WARRANTY WITH RESPECT TO THE USE AND/OR SALE OF ST PRODUCTS INCLUDING WITHOUT LIMITATION IMPLIED WARRANTIES OF MERCHANTABILITY, FITNESS FOR A PARTICULAR PURPOSE (AND THEIR EQUIVALENTS UNDER THE LAWS OF ANY JURISDICTION), OR INFRINGEMENT OF ANY PATENT, COPYRIGHT OR OTHER INTELLECTUAL PROPERTY RIGHT.

UNLESS EXPRESSLY APPROVED IN WRITING BY TWO AUTHORIZED ST REPRESENTATIVES, ST PRODUCTS ARE NOT RECOMMENDED, AUTHORIZED OR WARRANTED FOR USE IN MILITARY, AIR CRAFT, SPACE, LIFE SAVING, OR LIFE SUSTAINING APPLICATIONS, NOR IN PRODUCTS OR SYSTEMS WHERE FAILURE OR MALFUNCTION MAY RESULT IN PERSONAL INJURY, DEATH, OR SEVERE PROPERTY OR ENVIRONMENTAL DAMAGE. ST PRODUCTS WHICH ARE NOT SPECIFIED AS "AUTOMOTIVE GRADE" MAY ONLY BE USED IN AUTOMOTIVE APPLICATIONS AT USER'S OWN RISK.

Resale of ST products with provisions different from the statements and/or technical features set forth in this document shall immediately void any warranty granted by ST for the ST product or service described herein and shall not create or extend in any manner whatsoever, any liability of ST.

ST and the ST logo are trademarks or registered trademarks of ST in various countries.

Information in this document supersedes and replaces all information previously supplied.

The ST logo is a registered trademark of STMicroelectronics. All other names are the property of their respective owners.

© 2012 STMicroelectronics - All rights reserved

STMicroelectronics group of companies

Australia - Belgium - Brazil - Canada - China - Czech Republic - Finland - France - Germany - Hong Kong - India - Israel - Italy - Japan - Malaysia - Malta - Morocco - Philippines - Singapore - Spain - Sweden - Switzerland - United Kingdom - United States of America

www.st.com

