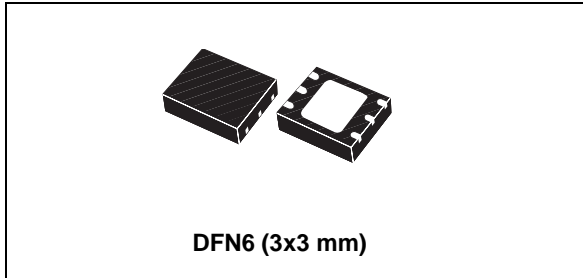


Very low quiescent current BiCMOS voltage regulator

Datasheet - production data



The ST1L02 is suitable for data storage applications such as HDDs, where it can be used to supply the read channel and memory chips requiring 3.3 V.

The regulator is available in the small and thin DFN6 (3x3 mm) package.

Table 1. Device summary

Order code	Package
ST1L02PU18R	DFN6 (3x3 mm)
ST1L02PU33R	DFN6 (3x3 mm)

Features

- Fixed output voltages: 1.8 V, 2.5 V, 3.3 V (1.5 V, upon customer request)
- Output voltage tolerance: $\pm 2\%$ at 25 °C
- Output current capability: 1 A minimum
- Very low quiescent current: max. 500 μA overtemperature range
- Typical dropout voltage 0.7 V (@ $I_O = 1 \text{ A}$)
- Stable with low ESR ceramic capacitors
- Thermal shutdown protection with hysteresis
- Overcurrent protection
- Operating junction temperature range: from 0 to 125 °C

Description

The ST1L02 is a low drop linear voltage regulator, which supplies up to 1 A output current.

It is available in several fixed output voltage versions. Thanks to BiCMOS technology, quiescent current is well-controlled and maintained below 650 μA over the whole allowed junction temperature range.

The ST1L02 is stable with low ESR output ceramic capacitors.

Internal protection circuitry includes thermal protection with hysteresis and overcurrent limiting.

Contents

1	Diagram	4
2	Pin configuration	5
3	Maximum ratings	6
4	Electrical characteristics	7
5	Typical application	9
6	Typical characteristics	10
7	Package mechanical data	14
8	Packaging information	17
9	Revision history	19

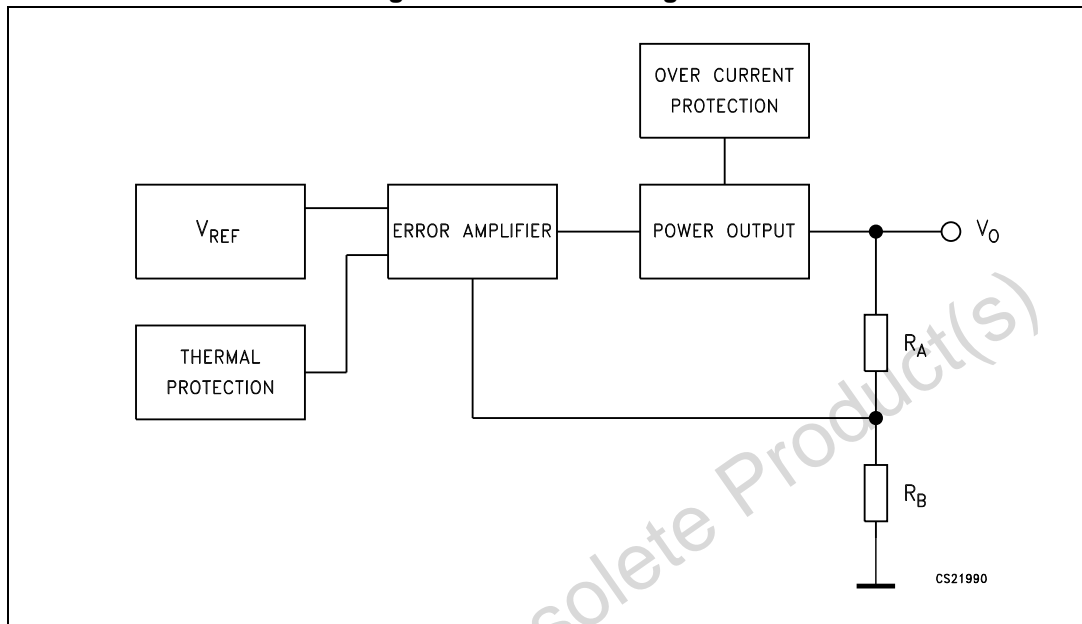
Obsolete Product(s) - Obsolete Product(s)

List of figures

Figure 1.	Schematic diagram	4
Figure 2.	Pin connection (top view)	5
Figure 3.	ST1L02 application schematic	9
Figure 4.	Output voltage vs temperature	10
Figure 5.	Line regulation vs temperature $I_O = 5$ mA.	10
Figure 6.	Line regulation vs temperature $I_O = 1$ A	10
Figure 7.	Load regulation vs temperature	10
Figure 8.	Dropout voltage vs temperature	10
Figure 9.	Quiescent current vs temperature $I_O = 1$ A.	10
Figure 10.	Quiescent current vs temperature no load	11
Figure 11.	Quiescent current vs temperature $I_O = 500$ mA	11
Figure 12.	Quiescent current vs temperature $I_O = 5$ mA	11
Figure 13.	Quiescent current vs output current	11
Figure 14.	Supply voltage rejection vs temperature.	11
Figure 15.	Supply voltage rejection vs frequency	11
Figure 16.	Output noise vs frequency	12
Figure 17.	V_O change with step load change $I_O = 100$ to 300 mA	12
Figure 18.	V_O change with step load change $I_O = 300$ to 500 mA	12
Figure 19.	V_O change with step load change $I_O = 500$ to 700 mA	12
Figure 20.	V_O change with step load change $I_O = 700$ to 900 mA	12
Figure 21.	V_O change with step load change $I_O = 10$ mA to short-circuit	12
Figure 22.	Line transient	13
Figure 23.	DFN6 (3x3 mm) drawings.	15
Figure 24.	DFN6 (3x3 mm) recommended footprint	16
Figure 25.	DFN6 (3x3 mm) tape	17
Figure 26.	DFN6 (3x3 mm) reel	18

1 Diagram

Figure 1. Schematic diagram



Obsolete Product(s) - Obsolete Product(s)

2 Pin configuration

Figure 2. Pin connection (top view)

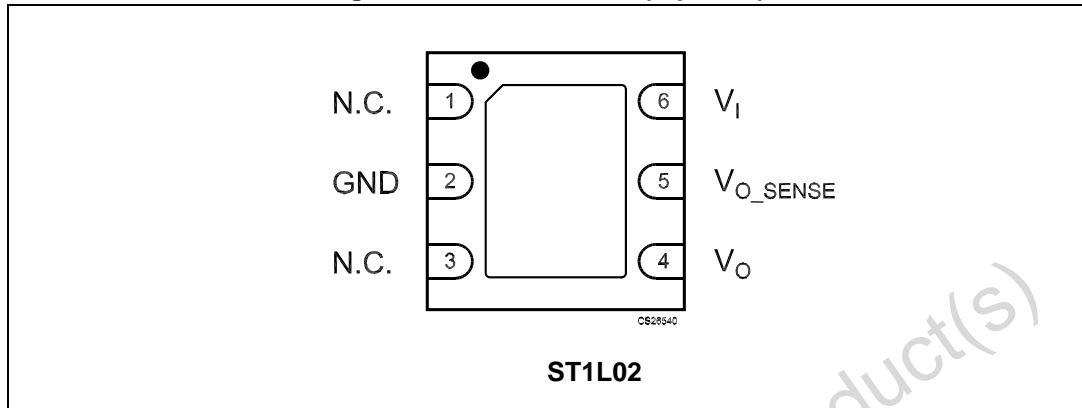


Table 2. Pin description

Pin	Symbol	Function
1, 3	N.C.	Not connected
2	GND	Ground. The exposed metallic pad of the package is connected to GND
4	V_O	Output voltage pin. Bypass with a 4.7 μ F capacitor to GND
5	V_{O_SENSE}	Sense output voltage pin, to be connected to pin 4
6	V_I	Supply voltage input pin. Bypass with a 4.7 μ F capacitor to GND

3 Maximum ratings

Table 3. Absolute maximum ratings

Symbol	Parameter	Value	Unit
V_I	DC supply voltage	10	V
P_{TOT}	Power dissipation	Internally limited	W
I_O	Output current	Internally limited	A
T_{OP}	Operating junction temperature range	0 to 150	°C
T_{STG}	Storage temperature range ⁽¹⁾	-65 to 150	°C
T_{LEAD}	Lead temperature (soldering) 10 seconds	260	°C

1. Storage temperature >125 °C is acceptable only if the regulator is soldered to a PCBA.

Note: Absolute maximum ratings are those values beyond which damage to the device may occur. Functional operation under these conditions is not implied.

Table 4. Thermal data

Symbol	Parameter	Value	Unit
R_{thJC}	Thermal resistance junction-case	10	°C/W
R_{thJA}	Thermal resistance junction-ambient	55	°C/W

4 Electrical characteristics

Refer to the typical application schematic, $V_I = 4.5\text{ V}$ to 7 V , $I_O = 5\text{ mA}$ to 1 A , $C_I = 4.7\text{ }\mu\text{F}$, $C_O = 4.7\text{ }\mu\text{F}$, $T_J = 0$ to $125\text{ }^\circ\text{C}$ unless otherwise specified. Intended typical values are $T_J = 25\text{ }^\circ\text{C}$ unless otherwise specified.

Table 5. ST1L02PU18R electrical characteristics

Symbol	Parameter	Test conditions	Min.	Typ.	Max.	Unit
V_O	Output voltage	$V_I = 4.75\text{ V}$ to 5.25 V , $T = 25\text{ }^\circ\text{C}$	1.76 4	1.8	1.83 6	V
V_O	Output voltage	$V_I = 4.75\text{ V}$ to 5.25 V	1.74 6	1.8	1.85 4	V
ΔV_O	Line regulation	$V_I = 4.75\text{ V}$ to 5.25 V			15	mV
ΔV_O	Load regulation	$V_I = 4.75\text{ V}$, $I_O = 10\text{ mA}$ to 1 A			10	mV
I_S	Output current limit	$V_I = 5.5\text{ V}$	1.0			A
$I_{O\text{MIN}}$	Minimum output current for regulation				2	mA
V_d	Dropout voltage ⁽¹⁾	$I_O = 0.8\text{ A}$			1.6	V
		$I_O = 1\text{ A}$			1.6	V
I_Q	Quiescent current	$V_I = 5\text{ V}$, $I_O = 2\text{ mA}$ to 1 A , $T = 25\text{ }^\circ\text{C}$			500	μA
I_Q	Quiescent current	$V_I = 7\text{ V}$, $I_O = 2\text{ mA}$ to 1 A			650	μA
SVR	Supply voltage rejection ⁽²⁾	$V_I = 5 \pm 0.5\text{ V}$, $I_O = 5\text{ mA}$, $f = 120\text{ Hz}$	50	75		dB
eN	RMS output noise ⁽²⁾	$B = 10\text{ Hz}$ to 10 kHz , $V_I = 5\text{ V}$, $I_O = 5\text{ mA}$		0.00 3		$\%V_O$
$\Delta V_O/\Delta I_O$	Load transient (rising) ⁽³⁾	$V_I = 5\text{ V}$, any 200 mA step from 100 mA to 1 A , $t_R \geq 1\text{ }\mu\text{s}$			5	$\%V_O$
T_{SH}	Thermal shutdown trip point ⁽³⁾	$V_I = 5\text{ V}$		165		$^\circ\text{C}$

1. See minimum start-up voltage, $V_I = 3.3\text{ V}$.
2. Guaranteed by design. Not tested in production.
3. $C_I = 10\text{ }\mu\text{F}$, $C_O = 10\text{ }\mu\text{F}$, X7R ceramic capacitors.

Refer to the typical application schematic, $V_I = 4.5\text{ V to }7\text{ V}$, $I_O = 5\text{ mA to }1\text{ A}$, $C_I = 4.7\text{ }\mu\text{F}$, $C_O = 4.7\text{ }\mu\text{F}$, $T_J = 0\text{ to }125\text{ }^\circ\text{C}$, unless otherwise specified. Intended typical values are $T_J = 25\text{ }^\circ\text{C}$ unless otherwise specified.

Table 6. ST1L02PU33 electrical characteristics

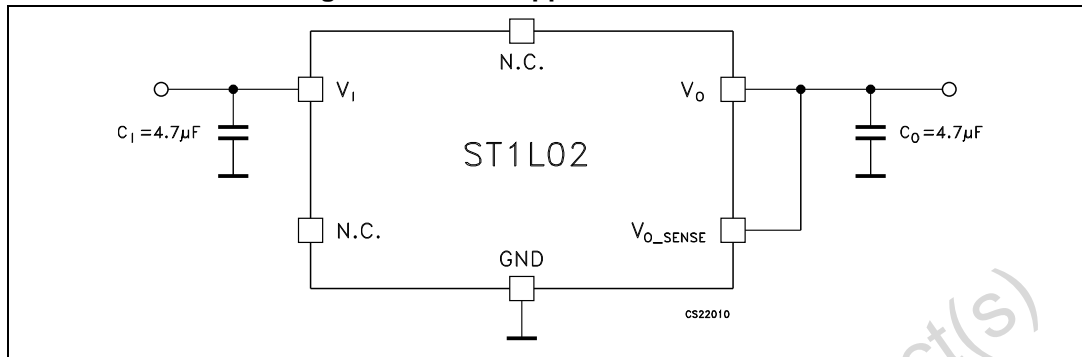
Symbol	Parameter	Test conditions	Min.	Typ.	Max.	Unit
V_O	Output voltage	$V_I = 4.75\text{ V to }5.25\text{ V}$, $T = 25\text{ }^\circ\text{C}$	3.234	3.3	3.366	V
V_O	Output voltage	$V_I = 4.75\text{ V to }5.25\text{ V}$	3.217 5	3.3	3.382 5	V
ΔV_O	Line regulation	$V_I = 4.75\text{ V to }5.25\text{ V}$			15	mV
ΔV_O	Load regulation	$V_I = 4.75\text{ V}$, $I_O = 10\text{ mA to }1\text{ A}$			10	mV
I_S	Output current limit	$V_I = 5.5\text{ V}$	1.0			A
$I_{O\text{MIN}}$	Minimum output current for regulation				2	mA
V_d	Dropout voltage	$I_O = 0.8\text{ A}$		0.6	1.0	V
		$I_O = 1\text{ A}$		0.7	1.1	V
I_Q	Quiescent current	$V_I = 5\text{ V}$, $I_O = 2\text{ mA to }1\text{ A}$, $T = 25\text{ }^\circ\text{C}$			500	μA
I_Q	Quiescent current	$V_I = 7\text{ V}$, $I_O = 2\text{ mA to }1\text{ A}$			650	μA
SVR	Supply voltage rejection ⁽²⁾	$V_I = 5 \pm 0.5\text{ V}$, $I_O = 5\text{ mA}$, $f = 120\text{ Hz}$	50	75		dB
eN	RMS output noise ⁽²⁾	$B = 10\text{ Hz to }10\text{ kHz}$, $V_I = 5\text{ V}$, $I_O = 5\text{ mA}$		0.00 3		$\%V_O$
$\Delta V_O/\Delta I_O$	Load transient (rising) ⁽¹⁾	$V_I = 5\text{ V}$, any 200 mA step from 100 mA to 1 A, $t_R \geq 1\text{ }\mu\text{s}$			5	$\%V_O$
T_{SH}	Thermal shutdown trip point ⁽²⁾	$V_I = 5\text{ V}$		165		$^\circ\text{C}$

1. $C_I = 10\text{ }\mu\text{F}$, $C_O = 10\text{ }\mu\text{F}$, X7R ceramic capacitors.

2. Guaranteed by design. Not tested in production.

5 Typical application

Figure 3. ST1L02 application schematic



Note: The regulator is stable both with tantalum and ceramic capacitors on the input and the output. The expected values of the input and output ceramic capacitors are from $1\mu\text{F}$ to $22\mu\text{F}$ with $4.7\mu\text{F}$ typical. The input capacitor has to be connected within 1 cm from V_1 terminal. The output capacitor has also to be connected within 1 cm from output pin. There is not any upper limit to the value of the input capacitor.

6 Typical characteristics

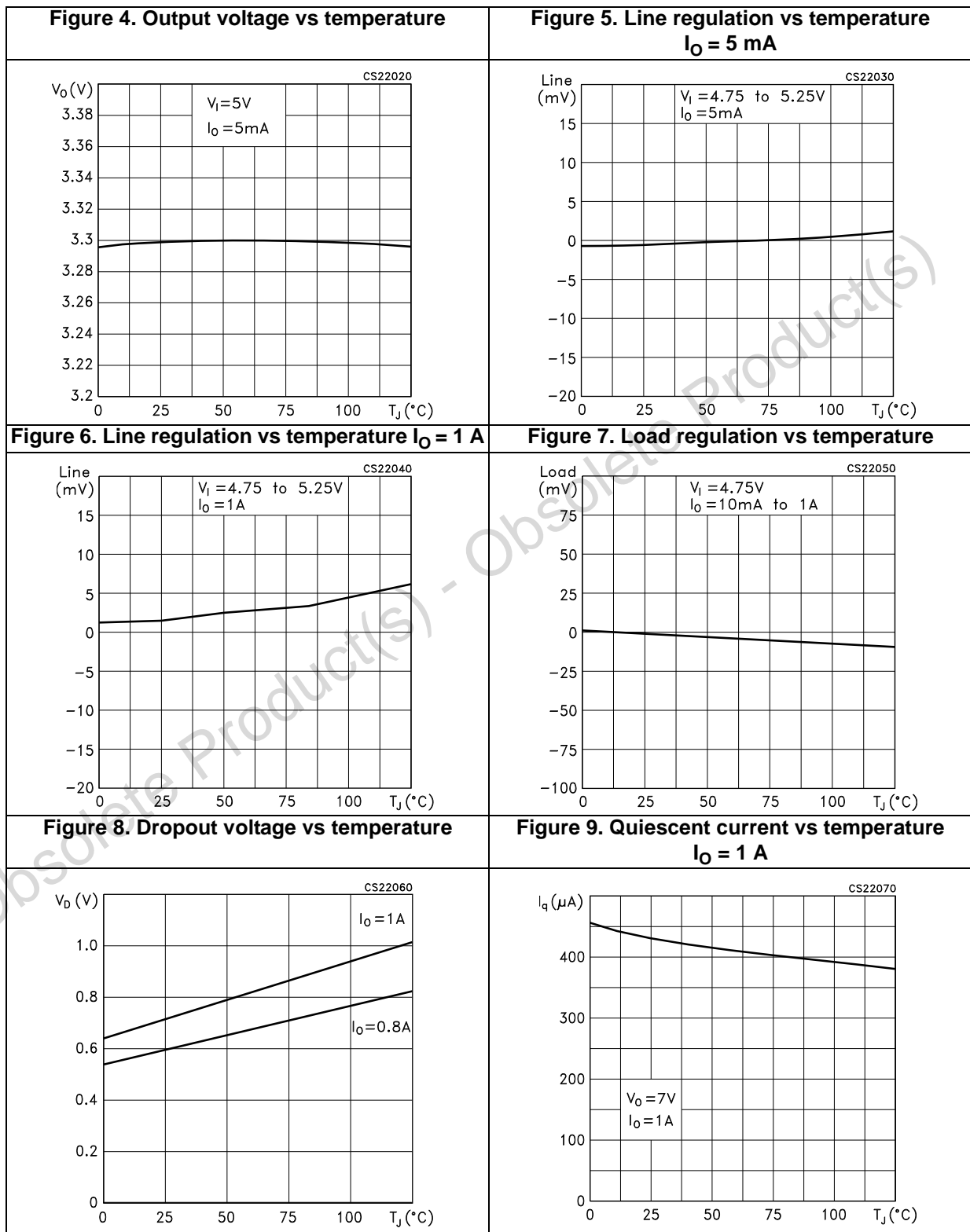


Figure 10. Quiescent current vs temperature no load

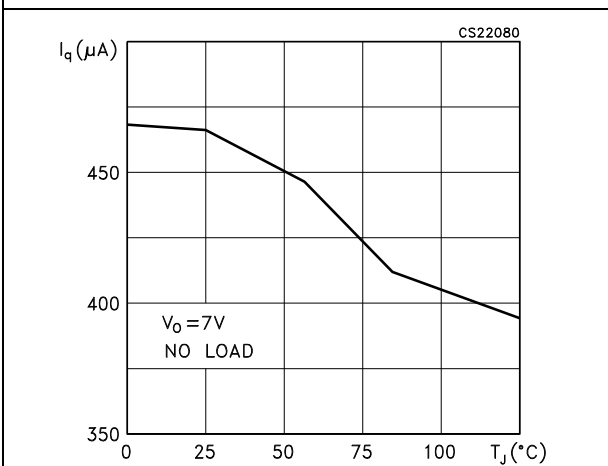


Figure 11. Quiescent current vs temperature $I_o = 500\text{ mA}$

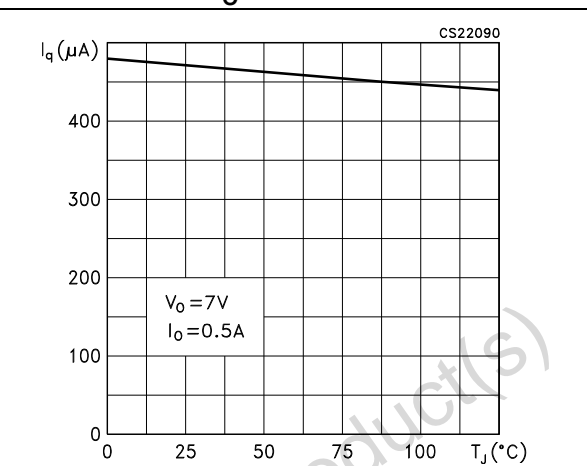


Figure 12. Quiescent current vs temperature $I_o = 5\text{ mA}$

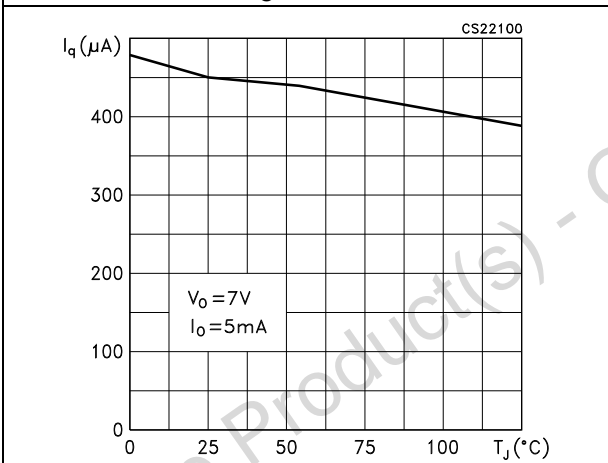


Figure 13. Quiescent current vs output current

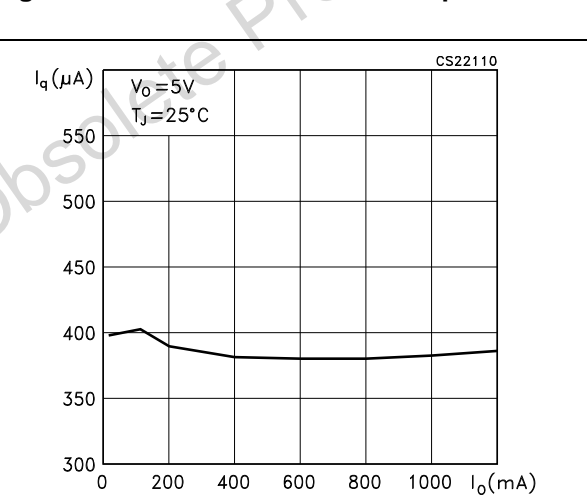


Figure 14. Supply voltage rejection vs temperature

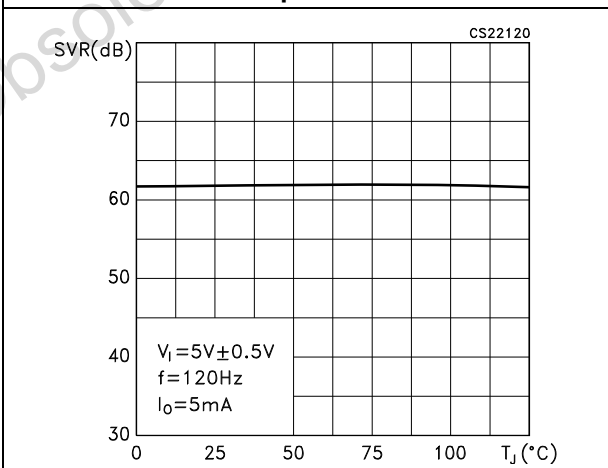


Figure 15. Supply voltage rejection vs frequency

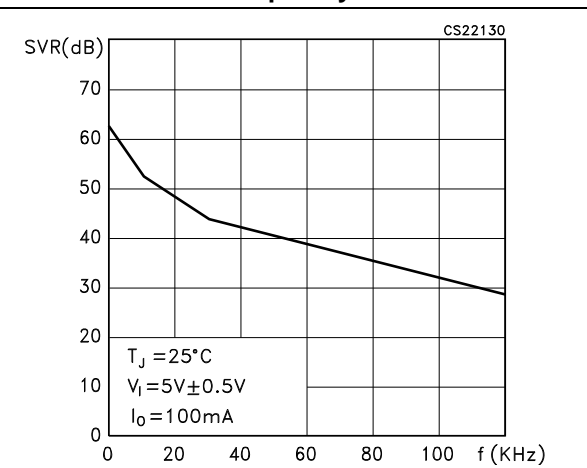


Figure 16. Output noise vs frequency

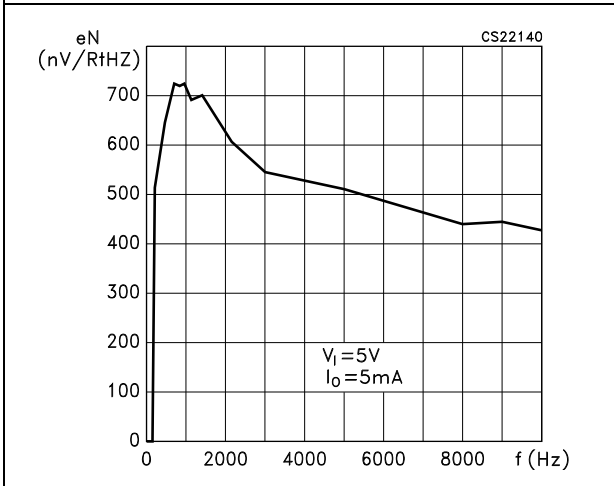
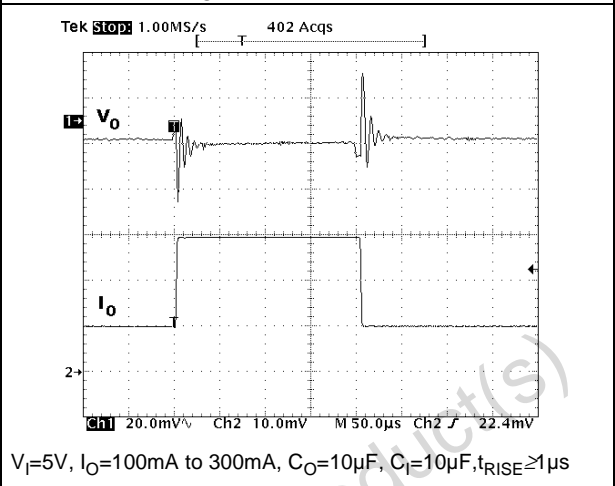
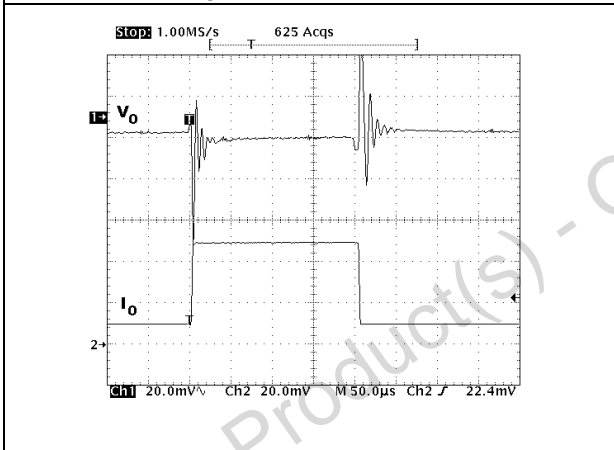


Figure 17. V_O change with step load change $I_O = 100$ to 300 mA



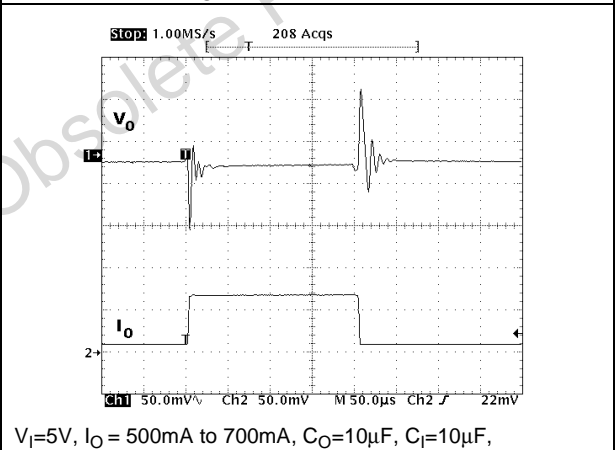
$V_1=5V$, $I_O=100mA$ to $300mA$, $C_O=10\mu F$, $C_I=10\mu F$, $t_{RISE}\geq 1\mu s$

Figure 18. V_O change with step load change $I_O = 300$ to 500 mA



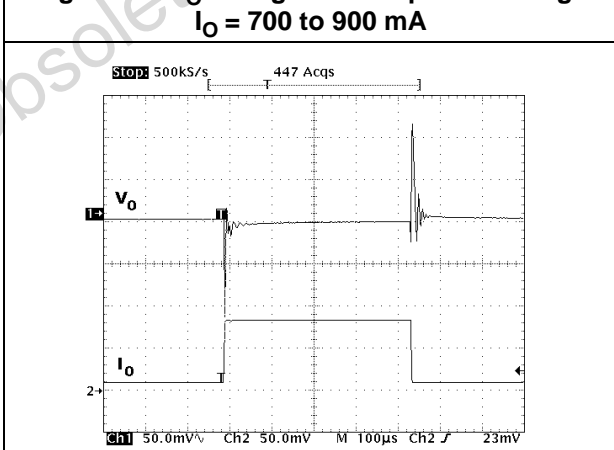
$V_1=5V$, $I_O=300mA$ to $500mA$, $C_O=10\mu F$, $C_I=10\mu F$, $t_{RISE}\geq 1\mu s$

Figure 19. V_O change with step load change $I_O = 500$ to 700 mA



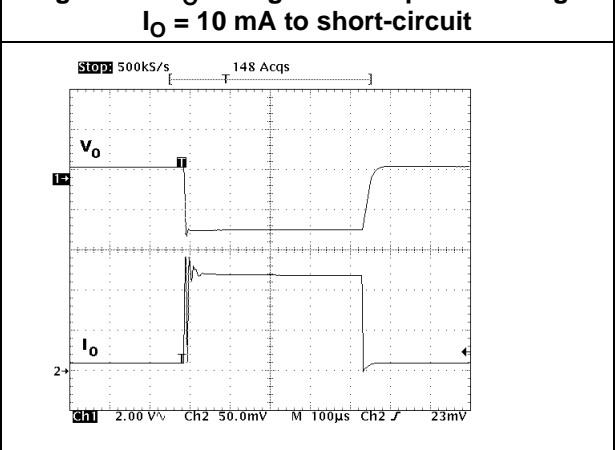
$V_1=5V$, $I_O = 500mA$ to $700mA$, $C_O=10\mu F$, $C_I=10\mu F$, $t_{RISE} \geq 1\mu s$, $T_J = 25^\circ C$

Figure 20. V_O change with step load change $I_O = 700$ to 900 mA

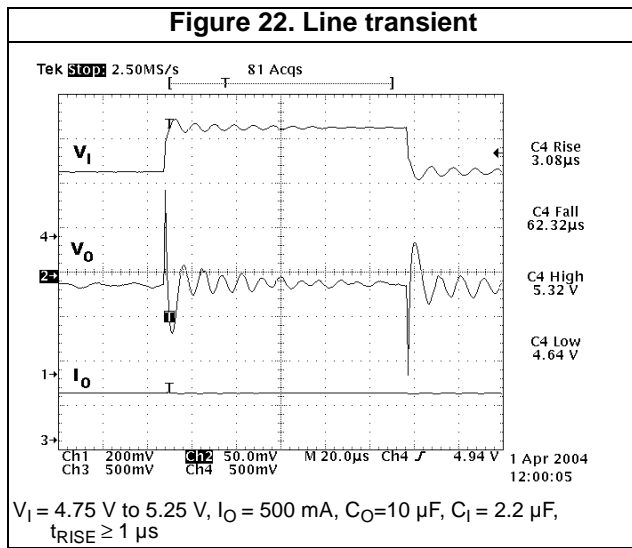


$V_1=5V$, $I_O=700mA$ to $900mA$, $C_O=10\mu F$, $C_I=10\mu F$, $t_{RISE}\geq 1\mu s$, $T_J=25^\circ C$

Figure 21. V_O change with step load change $I_O = 10$ mA to short-circuit



$V_1=5V$, $I_O=10mA$ to short-circuit, $C_O=10\mu F$, $C_I=10\mu F$, $t_{RISE}\geq 1\mu s$, $T_J=25^\circ C$



Obsolete Product(s) - Obsolete Product(s)

7 Package mechanical data

In order to meet environmental requirements, ST offers these devices in different grades of ECOPACK[®] packages, depending on their level of environmental compliance. ECOPACK[®] specifications, grade definitions and product status are available at: www.st.com. ECOPACK[®] is an ST trademark.

Obsolete Product(s) - Obsolete Product(s)

Figure 23. DFN6 (3x3 mm) drawings

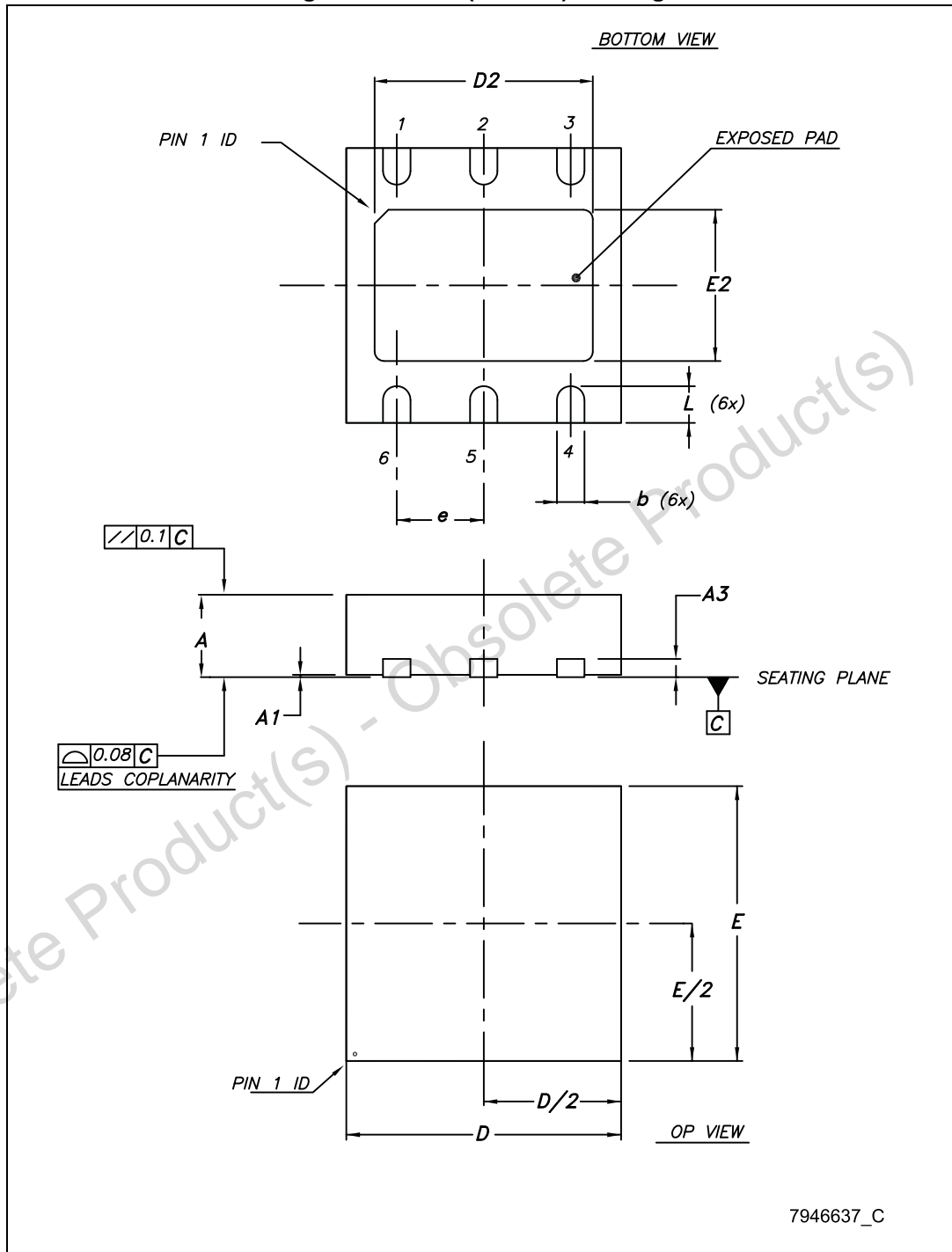
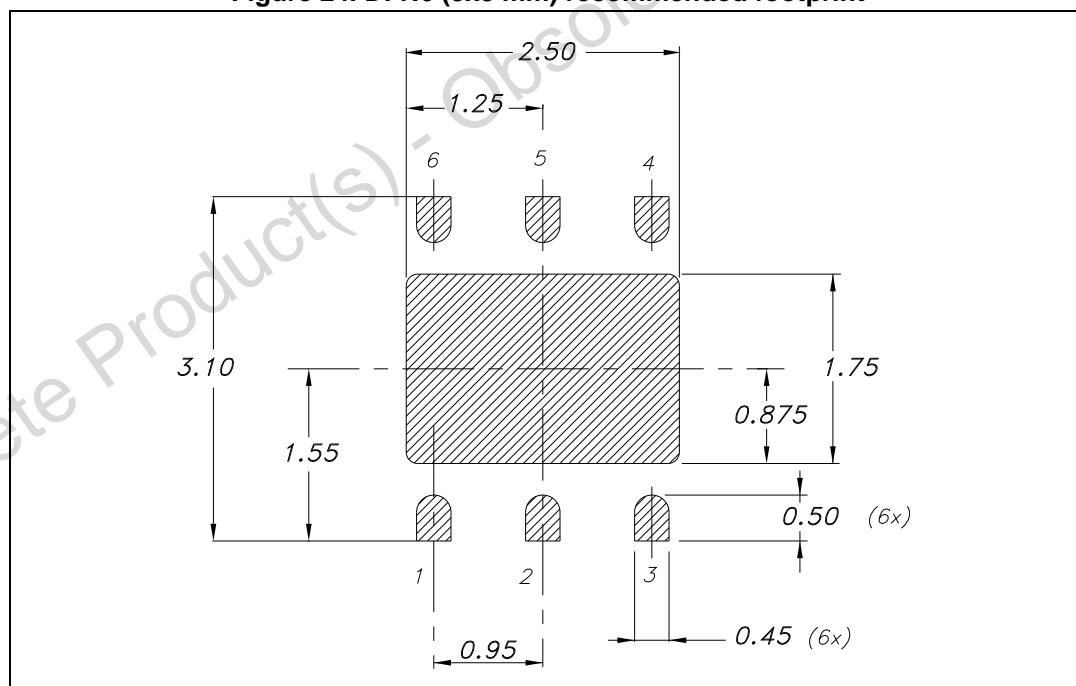


Table 7. DFN6 (3x3 mm) mechanical data

Dim.	mm		
	Min.	Typ.	Max.
A	0.80		1
A1	0	0.02	0.05
A3		0.20	
b	0.23		0.45
D	2.90	3	3.10
D2	2.23		2.50
E	2.90	3	3.10
E2	1.50		1.75
		0.95	
L	0.30	0.40	0.50

Figure 24. DFN6 (3x3 mm) recommended footprint



8 Packaging information

Figure 25. DFN6 (3x3 mm) tape

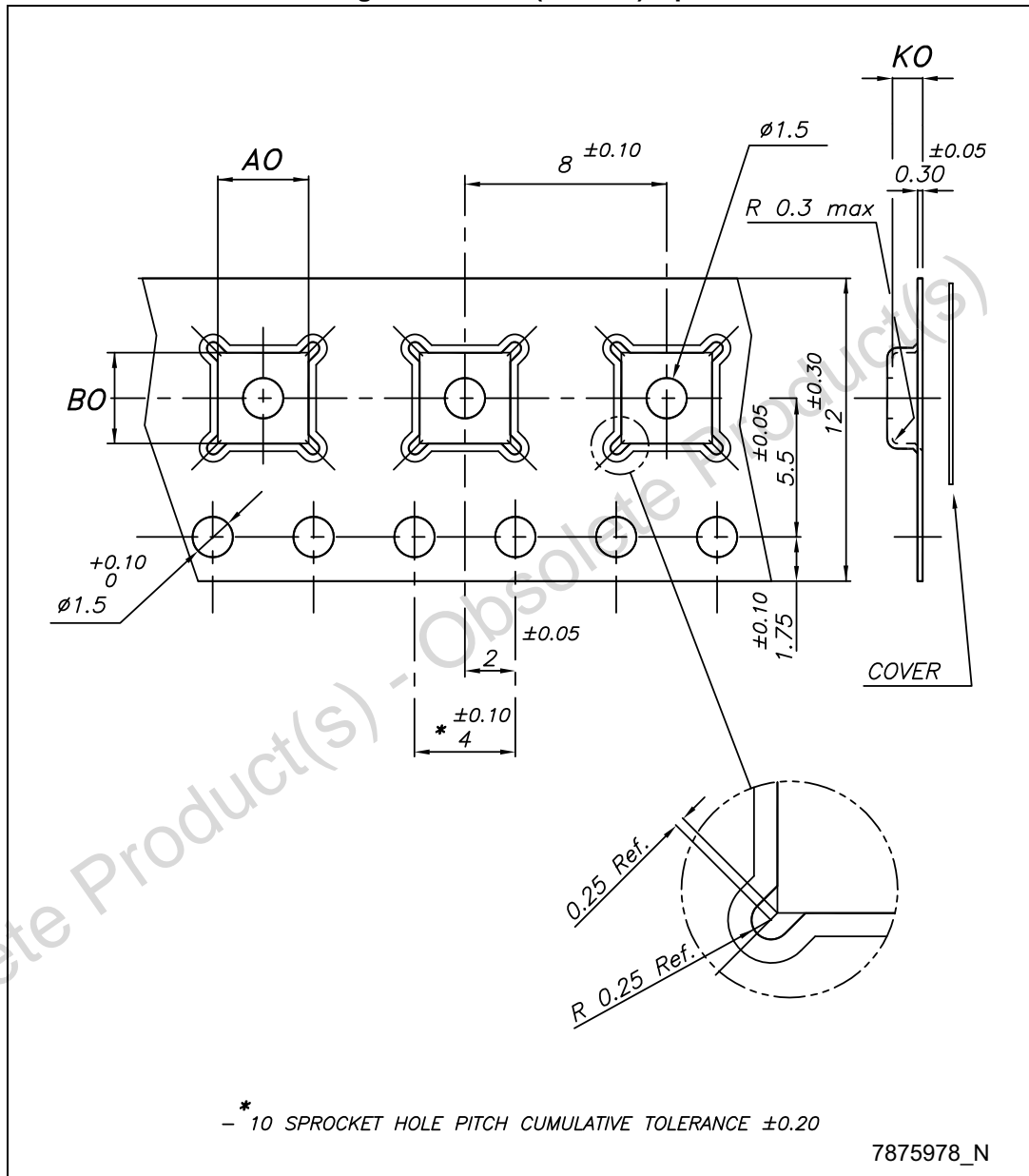


Figure 26. DFN6 (3x3 mm) reel

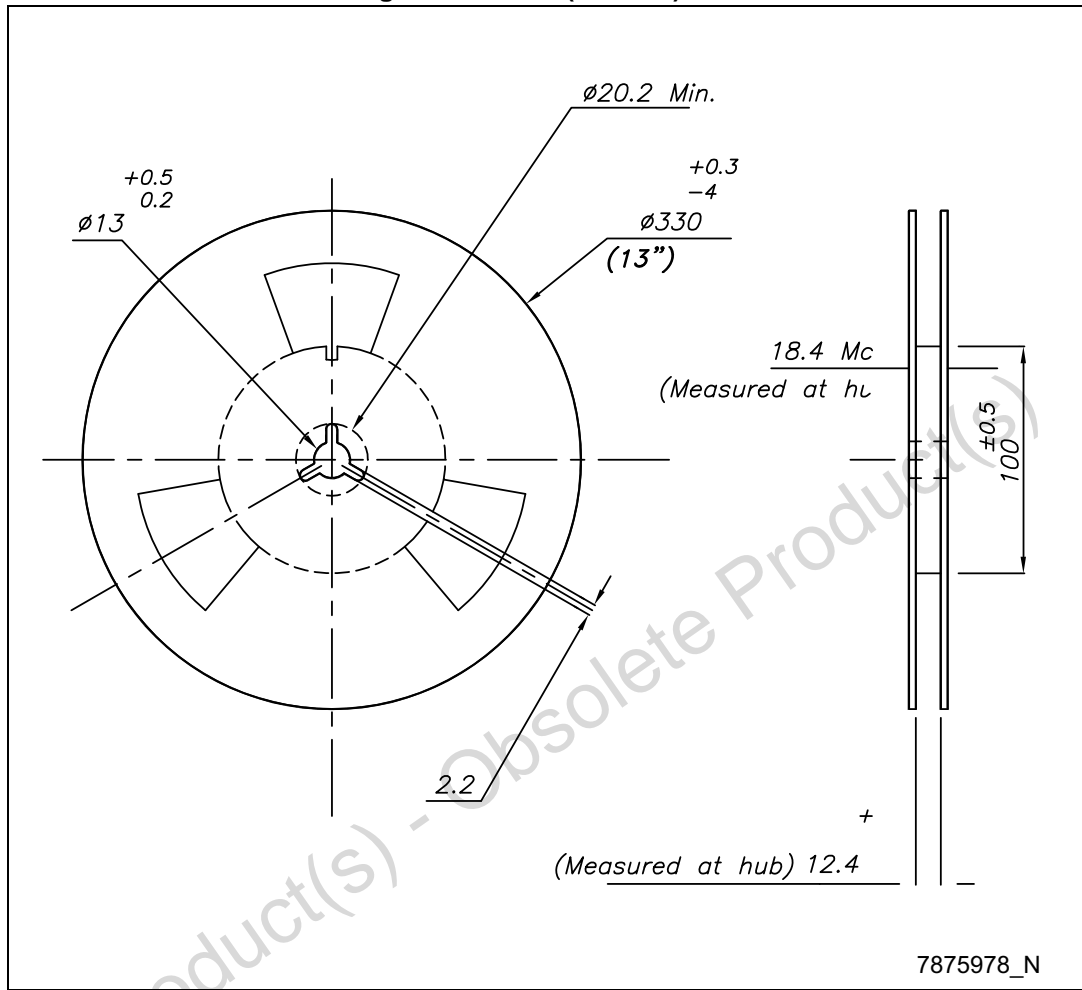


Table 8. DFN6 (3x3 mm) tape and reel mechanical data

Dim.	mm		
	Min.	Typ.	Max.
A0	3.20	3.30	3.40
B0	3.20	3.30	3.40
K0	1	1.10	1.20

9 Revision history

Table 9. Document revision history

Date	Revision	Changes
25-Feb-2005	1	First release.
10-Jan-2006	2	Add new order codes and tables of the electrical characteristics.
16-May-2006	3	General feature has been updated and add note 3 in table 6.
05-Jul-2006	4	Updated mechanical data DFN6 (3x3).
22-Feb-2007	5	Add note in Figure 2 and in order codes.
03-Apr-2007	6	Add order codes and mechanical data DFN6D.
05-Sep-2007	7	Add Table 1 in cover page.
12-Mar-2008	8	Removed: mechanical data DFN6.
09-Apr-2014	9	<p>Changed the part number ST1L02xx to ST1L02.</p> <p>Changed the title in cover page.</p> <p>Updated Features and Description.</p> <p>Changed the Table 1: Device summary.</p> <p>Updated Figure 2, and Table 2.</p> <p>Updated Section 4: Electrical characteristics.</p> <p>Deleted figure titled: ST1L02PM application schematic.</p> <p>Updated title of: Figure 5, Figure 6, Figure 9, Figure 10, Figure 11, Figure 12, Figure 17, Figure 18, Figure 19, Figure 20 and Figure 21.</p> <p>Updated package mechanical data.</p>

Please Read Carefully:

Information in this document is provided solely in connection with ST products. STMicroelectronics NV and its subsidiaries ("ST") reserve the right to make changes, corrections, modifications or improvements, to this document, and the products and services described herein at any time, without notice.

All ST products are sold pursuant to ST's terms and conditions of sale.

Purchasers are solely responsible for the choice, selection and use of the ST products and services described herein, and ST assumes no liability whatsoever relating to the choice, selection or use of the ST products and services described herein.

No license, express or implied, by estoppel or otherwise, to any intellectual property rights is granted under this document. If any part of this document refers to any third party products or services it shall not be deemed a license grant by ST for the use of such third party products or services, or any intellectual property contained therein or considered as a warranty covering the use in any manner whatsoever of such third party products or services or any intellectual property contained therein.

UNLESS OTHERWISE SET FORTH IN ST'S TERMS AND CONDITIONS OF SALE ST DISCLAIMS ANY EXPRESS OR IMPLIED WARRANTY WITH RESPECT TO THE USE AND/OR SALE OF ST PRODUCTS INCLUDING WITHOUT LIMITATION IMPLIED WARRANTIES OF MERCHANTABILITY, FITNESS FOR A PARTICULAR PURPOSE (AND THEIR EQUIVALENTS UNDER THE LAWS OF ANY JURISDICTION), OR INFRINGEMENT OF ANY PATENT, COPYRIGHT OR OTHER INTELLECTUAL PROPERTY RIGHT.

ST PRODUCTS ARE NOT DESIGNED OR AUTHORIZED FOR USE IN: (A) SAFETY CRITICAL APPLICATIONS SUCH AS LIFE SUPPORTING, ACTIVE IMPLANTED DEVICES OR SYSTEMS WITH PRODUCT FUNCTIONAL SAFETY REQUIREMENTS; (B) AERONAUTIC APPLICATIONS; (C) AUTOMOTIVE APPLICATIONS OR ENVIRONMENTS, AND/OR (D) AEROSPACE APPLICATIONS OR ENVIRONMENTS. WHERE ST PRODUCTS ARE NOT DESIGNED FOR SUCH USE, THE PURCHASER SHALL USE PRODUCTS AT PURCHASER'S SOLE RISK, EVEN IF ST HAS BEEN INFORMED IN WRITING OF SUCH USAGE, UNLESS A PRODUCT IS EXPRESSLY DESIGNATED BY ST AS BEING INTENDED FOR "AUTOMOTIVE, AUTOMOTIVE SAFETY OR MEDICAL" INDUSTRY DOMAINS ACCORDING TO ST PRODUCT DESIGN SPECIFICATIONS. PRODUCTS FORMALLY ESCC, QML OR JAN QUALIFIED ARE DEEMED SUITABLE FOR USE IN AEROSPACE BY THE CORRESPONDING GOVERNMENTAL AGENCY.

Resale of ST products with provisions different from the statements and/or technical features set forth in this document shall immediately void any warranty granted by ST for the ST product or service described herein and shall not create or extend in any manner whatsoever, any liability of ST.

ST and the ST logo are trademarks or registered trademarks of ST in various countries.

Information in this document supersedes and replaces all information previously supplied.

The ST logo is a registered trademark of STMicroelectronics. All other names are the property of their respective owners.

© 2014 STMicroelectronics - All rights reserved

STMicroelectronics group of companies

Australia - Belgium - Brazil - Canada - China - Czech Republic - Finland - France - Germany - Hong Kong - India - Israel - Italy - Japan - Malaysia - Malta - Morocco - Philippines - Singapore - Spain - Sweden - Switzerland - United Kingdom - United States of America

www.st.com