

Double channel high-side driver with MultiSense analog feedback for automotive applications

Datasheet - production data



- Configurable latch-off on overtemperature or power limitation with dedicated fault reset pin
- Loss of ground and loss of V_{CC}
- Reverse battery with external components
- Electrostatic discharge protection

Features

Max transient supply voltage	V_{CC}	40 V
Operating voltage range	V_{CC}	4 to 28 V
Typ. on-state resistance (per Ch)	R_{ON}	140 m Ω
Current limitation (typ)	I_{LIMH}	12 A
Standby current (max)	I_{STBY}	0.5 μ A

- Automotive qualified
- General
 - Double channel smart high-side driver with MultiSense analog feedback
 - Very low standby current
 - Compatible with 3 V and 5 V CMOS outputs
- MultiSense diagnostic functions
 - Multiplexed analog feedback of: load current with high precision proportional current mirror, V_{CC} supply voltage and T_{CHIP} device temperature
 - Overload and short to ground (power limitation) indication
 - Thermal shutdown indication
 - OFF-state open-load detection
 - Output short to V_{CC} detection
 - Sense enable/ disable
- Protections
 - Undervoltage shutdown
 - Overvoltage clamp
 - Load current limitation
 - Self limiting of fast thermal transients

Applications

- All types of Automotive resistive, inductive and capacitive loads
- Specially intended for automotive signal lamps (up to R10W or LED Rear Combinations)

Description

The VND7140AJ-E is a double channel high-side driver manufactured using ST proprietary VIPower[®] technology and housed in PowerSSO-16 package. The device is designed to drive 12 V automotive grounded loads through a 3 V and 5 V CMOS-compatible interface, providing protection and diagnostics.

The device integrates advanced protective functions such as load current limitation, overload active management by power limitation and overtemperature shutdown with configurable latch-off.

A $\overline{\text{FaultRST}}$ pin unlatches the output in case of fault or disables the latch-off functionality.

A dedicated multifunction multiplexed analog output pin delivers sophisticated diagnostic functions including high precision proportional load current sense, supply voltage feedback and chip temperature sense, in addition to the detection of overload and short circuit to ground, short to V_{CC} and OFF-state open-load. A sense enable pin allows OFF-state diagnosis to be disabled during the module low-power mode as well as external sense resistor sharing among similar devices.

Contents

1	Block diagram and pin description	6
2	Electrical specification	8
2.1	Absolute maximum ratings	8
2.2	Thermal data	9
2.3	Main electrical characteristics	10
2.4	Waveforms	22
2.5	Electrical characteristics curves	25
3	Protections	29
3.1	Power limitation	29
3.2	Thermal shutdown	29
3.3	Current limitation	29
3.4	Negative voltage clamp	29
4	Application information	30
4.1	GND protection network against reverse battery	30
4.1.1	Diode (DGND) in the ground line	31
4.2	Immunity against transient electrical disturbances	31
4.3	MCU I/Os protection	32
4.4	MultiSense - analog current sense	32
4.4.1	Principle of MultiSense signal generation	34
4.4.2	T _{CASE} and V _{CC} monitor	36
4.4.3	Short to VCC and OFF-state open-load detection	37
4.5	Maximum demagnetization energy (V _{CC} = 16 V)	38
5	Package and PCB thermal data	39
5.1	PowerSSO-16 thermal data	39
6	Package information	42
6.1	ECOPACK®	42
6.2	PowerSSO-16 package information	42

7	Order codes	44
8	Revision history	45

List of tables

Table 1.	Pin functions	6
Table 2.	Suggested connections for unused and not connected pins	7
Table 3.	Absolute maximum ratings	8
Table 4.	Thermal data	9
Table 5.	Power section	10
Table 6.	Switching ($V_{CC} = 13\text{ V}$; $-40^{\circ}\text{C} < T_j < 150^{\circ}\text{C}$, unless otherwise specified)	11
Table 7.	Logic Inputs ($7\text{ V} < V_{CC} < 28\text{ V}$; $-40^{\circ}\text{C} < T_j < 150^{\circ}\text{C}$)	11
Table 8.	Protections ($7\text{ V} < V_{CC} < 18\text{ V}$; $-40^{\circ}\text{C} < T_j < 150^{\circ}\text{C}$)	12
Table 9.	MultiSense ($7\text{ V} < V_{CC} < 18\text{ V}$; $-40^{\circ}\text{C} < T_j < 150^{\circ}\text{C}$)	13
Table 10.	Truth table	21
Table 11.	MultiSense multiplexer addressing	21
Table 12.	ISO 7637-2 - electrical transient conduction along supply line	31
Table 13.	MultiSense pin levels in off-state	36
Table 14.	PCB properties	39
Table 15.	Thermal parameters	41
Table 16.	PowerSSO-16 mechanical data	43
Table 17.	Device summary	44
Table 18.	Revision history	45

List of figures

Figure 1.	Block diagram	6
Figure 2.	Configuration diagram (top view)	7
Figure 3.	Current and voltage conventions	8
Figure 4.	I_{OUT}/I_{SENSE} versus I_{OUT}	18
Figure 5.	Current sense accuracy versus I_{OUT}	18
Figure 6.	Switching times and Pulse skew	19
Figure 7.	MultiSense timings (current sense mode)	19
Figure 8.	MultiSense timings (chip temperature and VCC sense mode)	20
Figure 9.	T_{DSTKON}	20
Figure 10.	Latch functionality - behavior in hard short circuit condition ($T_{AMB} \ll T_{TSD}$)	22
Figure 11.	Latch functionality - behavior in hard short circuit condition	22
Figure 12.	Latch functionality - behavior in hard short circuit condition (autorestart mode + latch off)	23
Figure 13.	Standby mode activation	23
Figure 14.	Standby state diagram	24
Figure 15.	OFF-state output current	25
Figure 16.	Standby current	25
Figure 17.	$I_{GND(ON)}$ vs. I_{out}	25
Figure 18.	Logic Input high level voltage	25
Figure 19.	Logic Input low level voltage	25
Figure 20.	High level logic input current	25
Figure 21.	Low level logic input current	26
Figure 22.	Logic Input hysteresis voltage	26
Figure 23.	FaultRST Input clamp voltage	26
Figure 24.	Undervoltage shutdown	26
Figure 25.	On-state resistance vs. T_{case}	26
Figure 26.	On-state resistance vs. V_{CC}	26
Figure 27.	Turn-on voltage slope	27
Figure 28.	Turn-off voltage slope	27
Figure 29.	W_{on} vs. T_{case}	27
Figure 30.	W_{off} vs. T_{case}	27
Figure 31.	I_{LIMH} vs. T_{case}	27
Figure 32.	OFF-state open-load voltage detection threshold	27
Figure 33.	V_{sense} clamp vs. T_{case}	28
Figure 34.	V_{senseh} vs. T_{case}	28
Figure 35.	Application diagram	30
Figure 36.	Simplified internal structure	30
Figure 37.	MultiSense and diagnostic – block diagram	33
Figure 38.	MultiSense block diagram	34
Figure 39.	Analogue HSD – open-load detection in off-state	35
Figure 40.	Open-load / short to VCC condition	36
Figure 41.	GND voltage shift	37
Figure 42.	Maximum turn off current versus inductance	38
Figure 43.	PowerSSO-16 on two-layers PCB (2s0p to JEDEC JESD 51-5)	39
Figure 44.	PowerSSO-16 on four-layers PCB (2s2p to JEDEC JESD 51-7)	39
Figure 45.	PowerSSO-16 $R_{thj-amb}$ vs PCB copper area in open box free air condition	40
Figure 46.	PowerSSO-16 thermal impedance junction ambient single pulse	40
Figure 47.	Thermal fitting model for PowerSSO-16	41
Figure 48.	PowerSSO-16 package dimensions	42

1 Block diagram and pin description

Figure 1. Block diagram

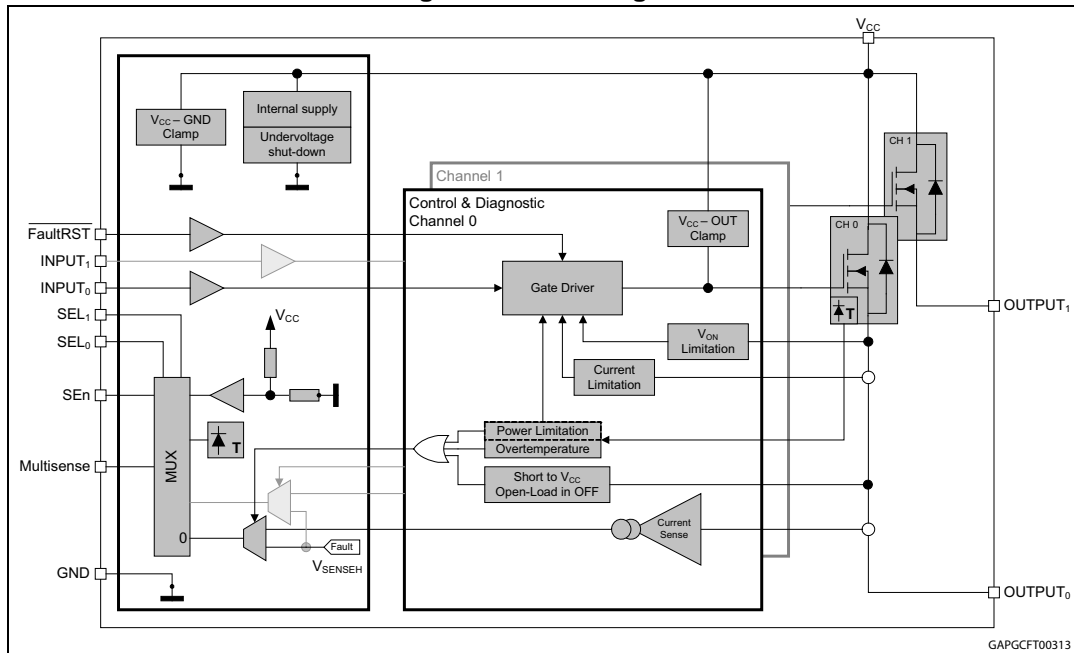


Table 1. Pin functions

Name	Function
V _{CC}	Battery connection.
OUTPUT _{0,1}	Power output.
GND	Ground connection. Must be reverse battery protected by an external diode / resistor network.
INPUT _{0,1}	Voltage controlled input pin with hysteresis, compatible with 3 V and 5 V CMOS outputs. They control output switch state.
MultiSense	Multiplexed analog sense output pin; it delivers a current proportional to the selected diagnostic: load current, supply voltage or chip temperature.
SEn	Active high compatible with 3 V and 5 V CMOS outputs pin; it enables the MultiSense diagnostic pin.
SEL _{0,1}	Active high compatible with 3 V and 5 V CMOS outputs pin; they address the MultiSense multiplexer.
FaultRST	Active low compatible with 3 V and 5 V CMOS outputs pin; it unlatches the output in case of fault; If kept low, sets the outputs in auto-restart

Figure 2. Configuration diagram (top view)

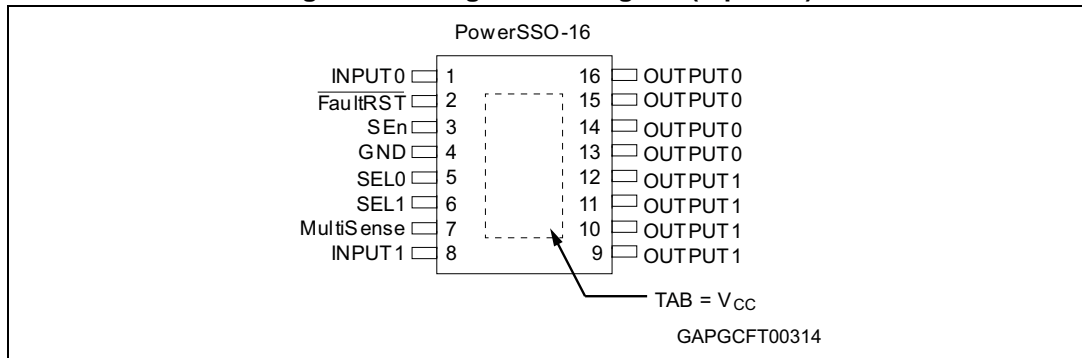


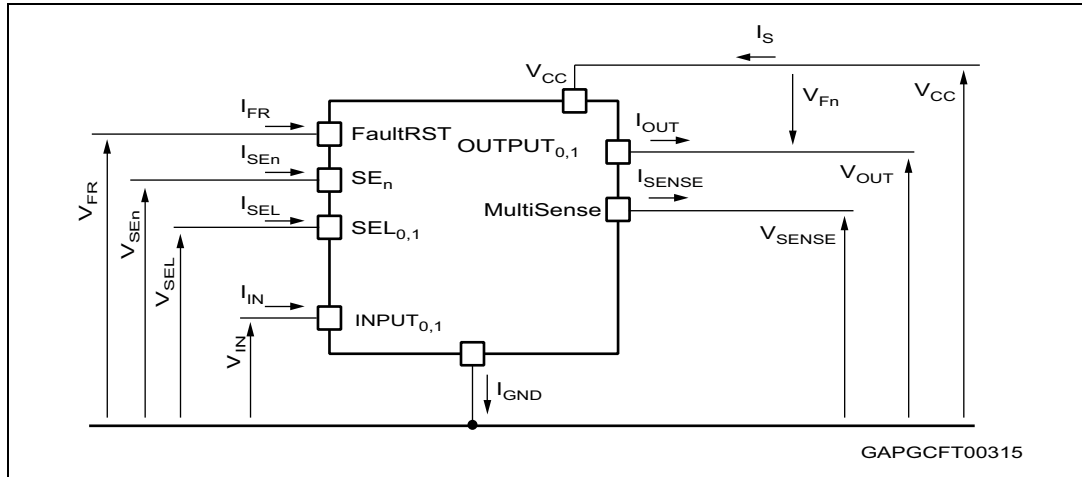
Table 2. Suggested connections for unused and not connected pins

Connection / pin	MultiSense	N.C.	Output	Input	SEn, SELx, FaultRST
Floating	Not allowed	X ⁽¹⁾	X	X	X
To ground	Through 1 kΩ resistor	X	Not allowed	Through 15 kΩ resistor	Through 15 kΩ resistor

1. X: do not care.

2 Electrical specification

Figure 3. Current and voltage conventions



Note: $V_{Fn} = V_{OUTn} - V_{CC}$ during reverse battery condition.

2.1 Absolute maximum ratings

Stressing the device above the rating listed in [Table 3](#) may cause permanent damage to the device. These are stress ratings only and operation of the device at these or any other conditions above those indicated in the operating sections of this specification is not implied. Exposure to the conditions in table below for extended periods may affect device reliability.

Table 3. Absolute maximum ratings

Symbol	Parameter	Value	Unit
V _{CC}	DC supply voltage	38	V
-V _{CC}	Reverse DC supply voltage	0.3	
V _{CCPK}	Maximum transient supply voltage (ISO 16750-2:2010 Test B clamped to 40V; R _L = 4 Ω)	40	V
V _{CCJS}	Maximum jump start voltage for single pulse short circuit protection	28	V
-I _{GND}	DC reverse ground pin current	200	mA
I _{OUT}	OUTPUT _{0,1} DC output current	Internally limited	A
-I _{OUT}	Reverse DC output current	4	
I _{IN}	INPUT _{0,1} DC input current	-1 to 10	mA
I _{SEn}	SE _n DC input current		
I _{SEL}	SEL _{0,1} DC input current		
I _{FR}	FaultRST DC input current		
V _{FR}	FaultRST DC input voltage	7.5	V

Table 3. Absolute maximum ratings (continued)

Symbol	Parameter	Value	Unit
I _{SENSE}	MultiSense pin DC output current (V _{GND} = V _{CC} and V _{SENSE} < 0 V)	10	mA
	MultiSense pin DC output current in reverse (V _{CC} < 0 V)	-20	
E _{MAX}	Maximum switching energy (single pulse) (T _{DEMAG} = 0.4 ms; T _{jstart} = 150 °C)	10	mJ
V _{ESD}	Electrostatic discharge (JEDEC 22A-114F)		
	– INPUT _{0,1}	4000	V
	– MultiSense	2000	V
	– SEn, SEL _{0,1} , FaultRST	4000	V
	– OUTPUT _{0,1}	4000	V
	– V _{CC}	4000	V
V _{ESD}	Charge device model (CDM-AEC-Q100-011)	750	V
T _j	Junction operating temperature	- 40 to 150	°C
T _{stg}	Storage temperature	- 55 to 150	

2.2 Thermal data

Table 4. Thermal data

Symbol	Parameter	Typ. value	Unit
R _{thj-board}	Thermal resistance junction-board (JEDEC JESD 51-5/15-8) ⁽¹⁾⁽²⁾	7.7	°C/W
R _{thj-amb}	Thermal resistance junction-ambient (JEDEC JESD 51-5) ⁽¹⁾⁽³⁾	61	
R _{thj-amb}	Thermal resistance junction-ambient (JEDEC JESD 51-7) ⁽¹⁾⁽²⁾	26.5	

- One channel ON.
- Device mounted on four-layers 2s2p PCB.
- Device mounted on two-layers 2s0p PCB with 2 cm² heatsink copper trace.

2.3 Main electrical characteristics

$7\text{ V} < V_{CC} < 28\text{ V}$; $-40\text{ °C} < T_j < 150\text{ °C}$, unless otherwise specified.

All typical values refer to $V_{CC} = 13\text{ V}$; $T_j = 25\text{ °C}$, unless otherwise specified.

Table 5. Power section

Symbol	Parameter	Test conditions	Min.	Typ.	Max.	Unit
V_{CC}	Operating supply voltage		4	13	28	V
V_{USD}	Undervoltage shutdown				4	
$V_{USDReset}$	Undervoltage shutdown reset				5	
$V_{USDhyst}$	Undervoltage shutdown hysteresis			0.3		
R_{ON}	On-state resistance ⁽¹⁾	$I_{OUT} = 1\text{ A}$; $T_j = 25\text{ °C}$		140		mΩ
		$I_{OUT} = 1\text{ A}$; $T_j = 150\text{ °C}$			280	
		$I_{OUT} = 1\text{ A}$; $V_{CC} = 4\text{ V}$; $T_j = 25\text{ °C}$			210	
V_{clamp}	Clamp voltage	$I_S = 20\text{ mA}$; $T_j = -40\text{ °C}$	38			V
		$I_S = 20\text{ mA}$; $25\text{ °C} < T_j < 150\text{ °C}$	41	46	52	
I_{stby}	Supply current in standby at $V_{CC} = 13\text{ V}$ ⁽²⁾	$V_{CC} = 13\text{ V}$; $V_{IN} = V_{OUT} = V_{FR} = V_{SEn} = 0\text{ V}$; $V_{SEL0,1} = 0\text{ V}$; $T_j = 25\text{ °C}$			0.5	μA
		$V_{CC} = 13\text{ V}$; $V_{IN} = V_{OUT} = V_{FR} = V_{SEn} = 0\text{ V}$; $V_{SEL0,1} = 0\text{ V}$; $T_j = 85\text{ °C}$ ⁽³⁾			0.5	
		$V_{CC} = 13\text{ V}$; $V_{IN} = V_{OUT} = V_{FR} = V_{SEn} = 0\text{ V}$; $V_{SEL0,1} = 0\text{ V}$; $T_j = 125\text{ °C}$			3	
t_{D_STBY}	Standby mode blanking time	$V_{CC} = 13\text{ V}$; $V_{IN} = V_{OUT} = V_{FR} = V_{SEL0,1} = 0\text{ V}$; $V_{SEn} = 5\text{ V to } 0\text{ V}$	60	300	550	μs
$I_{S(ON)}$	Supply current	$V_{CC} = 13\text{ V}$; $V_{SEn} = V_{FR} = V_{SEL0,1} = 0\text{ V}$; $V_{IN0} = 5\text{ V}$; $V_{IN1} = 5\text{ V}$; $I_{OUT0} = 0\text{ A}$; $I_{OUT1} = 0\text{ A}$		5	8	mA
$I_{GND(ON)}$	Control stage current consumption in ON state. All channels active.	$V_{CC} = 13\text{ V}$; $V_{SEn} = 5\text{ V}$; $V_{FR} = V_{SEL0,1} = 0\text{ V}$; $V_{IN0} = 5\text{ V}$; $V_{IN1} = 5\text{ V}$; $I_{OUT0} = 1\text{ A}$; $I_{OUT1} = 1\text{ A}$			12	mA

Table 5. Power section (continued)

Symbol	Parameter	Test conditions	Min.	Typ.	Max.	Unit
$I_{L(off)}$	Off-state output current at $V_{CC} = 13\text{ V}^{(1)}$	$V_{IN} = V_{OUT} = 0\text{ V}; V_{CC} = 13\text{ V}; T_j = 25\text{ }^\circ\text{C}$	0	0.01	0.5	μA
		$V_{IN} = V_{OUT} = 0\text{ V}; V_{CC} = 13\text{ V}; T_j = 125\text{ }^\circ\text{C}$	0		3	
V_F	Output - V_{CC} diode voltage $^{(1)}$	$I_{OUT} = -1\text{ A}; T_j = 150\text{ }^\circ\text{C}$			0.7	V

1. For each channel
2. PowerMOS leakage included.
3. Parameter specified by design; not subject to production test.

Table 6. Switching ($V_{CC} = 13\text{ V}; -40^\circ\text{C} < T_j < 150^\circ\text{C}$, unless otherwise specified)

Symbol	Parameter	Test conditions	Min.	Typ.	Max.	Unit
$t_{d(on)}^{(1)}$	Turn-on delay time at $T_j = 25\text{ }^\circ\text{C}$	$R_L = 13\text{ }\Omega$	10	70	120	μs
$t_{d(off)}^{(1)}$	Turn-off delay time at $T_j = 25\text{ }^\circ\text{C}$		10	40	100	
$(dV_{OUT}/dt)_{on}^{(1)}$	Turn-on voltage slope at $T_j = 25\text{ }^\circ\text{C}$	$R_L = 13\text{ }\Omega$	0.1	0.27	0.7	V/ μs
$(dV_{OUT}/dt)_{off}^{(1)}$	Turn-off voltage slope at $T_j = 25\text{ }^\circ\text{C}$		0.1	0.35	0.7	
W_{ON}	Switching energy losses at turn-on (t_{won})	$R_L = 13\text{ }\Omega$	—	0.15	$0.18^{(2)}$	mJ
W_{OFF}	Switching energy losses at turn-off (t_{woff})	$R_L = 13\text{ }\Omega$	—	0.1	$0.18^{(2)}$	mJ
$t_{SKEW}^{(1)}$	Differential Pulse skew ($t_{PHL} - t_{PLH}$)	$R_L = 13\text{ }\Omega$	-100	-50	0	μs

1. See [Figure 6: Switching times and Pulse skew](#).
2. Parameter guaranteed by design and characterization; not subject to production test.

Table 7. Logic Inputs ($7\text{ V} < V_{CC} < 28\text{ V}; -40^\circ\text{C} < T_j < 150^\circ\text{C}$)

Symbol	Parameter	Test conditions	Min.	Typ.	Max.	Unit
INPUT_{0,1} characteristics						
V_{IL}	Input low level voltage				0.9	V
I_{IL}	Low level input current	$V_{IN} = 0.9\text{ V}$	1			μA
V_{IH}	Input high level voltage		2.1			V
I_{IH}	High level input current	$V_{IN} = 2.1\text{ V}$			10	μA
$V_{I(hyst)}$	Input hysteresis voltage		0.2			V
V_{ICL}	Input clamp voltage	$I_{IN} = 1\text{ mA}$	5.3		7.2	V
		$I_{IN} = -1\text{ mA}$		-0.7		

Table 7. Logic Inputs (7 V < V_{CC} < 28 V; -40°C < T_j < 150°C) (continued)

Symbol	Parameter	Test conditions	Min.	Typ.	Max.	Unit
FaultRST characteristics						
V _{FRL}	Input low level voltage				0.9	V
I _{FRL}	Low level input current	V _{IN} = 0.9 V	1			μA
V _{FRH}	Input high level voltage		2.1			V
I _{FRH}	High level input current	V _{IN} = 2.1 V			10	μA
V _{FR(hyst)}	Input hysteresis voltage		0.2			V
V _{FRCL}	Input clamp voltage	I _{IN} = 1 mA	5.3		7.5	V
		I _{IN} = -1 mA		-0.7		
SEL_{0,1} characteristics (7 V < V_{CC} < 18 V)						
V _{SELL}	Input low level voltage				0.9	V
I _{SELL}	Low level input current	V _{IN} = 0.9 V	1			μA
V _{SELH}	Input high level voltage		2.1			V
I _{SELH}	High level input current	V _{IN} = 2.1 V			10	μA
V _{SEL(hyst)}	Input hysteresis voltage		0.2			V
V _{SELCL}	Input clamp voltage	I _{IN} = 1 mA	5.3		7.2	V
		I _{IN} = -1 mA		-0.7		
SEn characteristics (7 V < V_{CC} < 18 V)						
V _{SEnL}	Input low level voltage				0.9	V
I _{SEnL}	Low level input current	V _{IN} = 0.9 V	1			μA
V _{SEnH}	Input high level voltage		2.1			V
I _{SEnH}	High level input current	V _{IN} = 2.1 V			10	μA
V _{SEn(hyst)}	Input hysteresis voltage		0.2			V
V _{SEnCL}	Input clamp voltage	I _{IN} = 1 mA	5.3		7.2	V
		I _{IN} = -1 mA		-0.7		

Table 8. Protections (7 V < V_{CC} < 18 V; -40 °C < T_j < 150 °C)

Symbol	Parameter	Test conditions	Min.	Typ.	Max.	Unit
I _{LIMH}	DC short circuit current	V _{CC} = 13 V	8	12	16	A
		4 V < V _{CC} < 18 V ⁽¹⁾			16	
I _{LIML}	Short circuit current during thermal cycling	V _{CC} = 13 V; T _R < T _j < T _{TSD}		4		
T _{TSD}	Shutdown temperature		150	175	200	°C
T _R	Reset temperature ⁽¹⁾		T _{RS} + 1	T _{RS} + 7		°C

Table 8. Protections ($7\text{ V} < V_{CC} < 18\text{ V}$; $-40\text{ }^{\circ}\text{C} < T_j < 150\text{ }^{\circ}\text{C}$) (continued)

Symbol	Parameter	Test conditions	Min.	Typ.	Max.	Unit
T_{RS}	Thermal reset of fault diagnostic indication	$V_{FR} = 0\text{ V}$; $V_{SEn} = 5\text{ V}$	135			$^{\circ}\text{C}$
T_{HYST}	Thermal hysteresis ($T_{TSD} - T_R$) ⁽¹⁾			7		$^{\circ}\text{C}$
ΔT_{J_SD}	Dynamic temperature	$T_j = -40\text{ }^{\circ}\text{C}$; $V_{CC} = 13\text{ V}$		60		K
t_{LATCH_RST}	Fault reset time for output unlatch ⁽¹⁾	$V_{FR} = 5\text{ V}$ to 0 V ; $V_{SEn} = 5\text{ V}$; – E.g. Ch_0 : $V_{IN0} = 5\text{ V}$; $V_{SEL0} = 0\text{ V}$; $V_{SEL1} = 0\text{ V}$;	3	10	20	μs
V_{DEMAG}	Turn-off output voltage clamp	$I_{OUT} = 1\text{ A}$; $L = 6\text{ mH}$; $T_j = -40\text{ }^{\circ}\text{C}$	$V_{CC} - 38$			V
		$I_{OUT} = 1\text{ A}$; $L = 6\text{ mH}$; $T_j = 25\text{ }^{\circ}\text{C}$ to $150\text{ }^{\circ}\text{C}$	$V_{CC} - 41$	$V_{CC} - 46$	$V_{CC} - 52$	V
V_{ON}	Output voltage drop limitation	$I_{OUT} = 0.07\text{ A}$		20		mV

1. Parameter guaranteed by design and characterization; not subject to production test.

Table 9. MultiSense ($7\text{ V} < V_{CC} < 18\text{ V}$; $-40\text{ }^{\circ}\text{C} < T_j < 150\text{ }^{\circ}\text{C}$)

Symbol	Parameter	Test conditions	Min.	Typ.	Max.	Unit
V_{SENSE_CL}	MultiSense clamp voltage	$V_{SEn} = 0\text{ V}$; $I_{SENSE} = 1\text{ mA}$	-17		-12	V
		$V_{SEn} = 0\text{ V}$; $I_{SENSE} = -1\text{ mA}$		7		
Current Sense characteristics						
K_{OL}	I_{OUT}/I_{SENSE}	$I_{OUT} = 0.01\text{ A}$; $V_{SENSE} = 0.5\text{ V}$; $V_{SEn} = 5\text{ V}$	295			
dK_{cal}/K_{cal} ⁽¹⁾⁽²⁾	Current sense ratio drift at calibration point	$I_{OUT} = 0.01\text{ A}$ to 0.025 A ; $I_{cal} = 17.5\text{ mA}$; $V_{SENSE} = 0.5\text{ V}$; $V_{SEn} = 5\text{ V}$	-30		30	%
K_{LED}	I_{OUT}/I_{SENSE}	$I_{OUT} = 0.025\text{ A}$; $V_{SENSE} = 0.5\text{ V}$; $V_{SEn} = 5\text{ V}$	330	580	820	
dK_{LED}/K_{LED} ⁽¹⁾⁽²⁾	Current sense ratio drift	$I_{OUT} = 0.025\text{ A}$; $V_{SENSE} = 0.5\text{ V}$; $V_{SEn} = 5\text{ V}$	-25		25	%
K_0	I_{OUT}/I_{SENSE}	$I_{OUT} = 0.07\text{ A}$; $V_{SENSE} = 0.5\text{ V}$; $V_{SEn} = 5\text{ V}$	375	550	720	
dK_0/K_0 ⁽¹⁾⁽²⁾	Current sense ratio drift	$I_{OUT} = 0.07\text{ A}$; $V_{SENSE} = 0.5\text{ V}$; $V_{SEn} = 5\text{ V}$	-20		20	%
K_1	I_{OUT}/I_{SENSE}	$I_{OUT} = 0.15\text{ A}$; $V_{SENSE} = 4\text{ V}$; $V_{SEn} = 5\text{ V}$	360	500	670	
dK_1/K_1 ⁽¹⁾⁽²⁾	Current sense ratio drift	$I_{OUT} = 0.15\text{ A}$; $V_{SENSE} = 4\text{ V}$; $V_{SEn} = 5\text{ V}$	-15		15	%

Table 9. MultiSense (7 V < V_{CC} < 18 V; -40°C < T_j < 150°C) (continued)

Symbol	Parameter	Test conditions	Min.	Typ.	Max.	Unit
K ₂	I _{OUT} /I _{SENSE}	I _{OUT} = 0.7 A; V _{SENSE} = 4 V; V _{SEn} = 5 V	380	475	570	
dK ₂ /K ₂ ⁽¹⁾⁽²⁾	Current sense ratio drift	I _{OUT} = 0.7 A; V _{SENSE} = 4 V; V _{SEn} = 5 V	-10		10	%
K ₃	I _{OUT} /I _{SENSE}	I _{OUT} = 2 A; V _{SENSE} = 4 V; V _{SEn} = 5 V	430	470	520	
dK ₃ /K ₃ ⁽¹⁾⁽²⁾	Current sense ratio drift	I _{OUT} = 2 A; V _{SENSE} = 4 V; V _{SEn} = 5 V	-5		5	%
I _{SENSE0}	MultiSense leakage current	MultiSense disabled: V _{SEn} = 0 V	0		0.5	μA
		MultiSense disabled: -1 V < V _{SENSE} < 5 V ⁽¹⁾	-0.5		0.5	
		MultiSense enabled: V _{SEn} = 5 V; All channels ON; I _{OUTX} = 0 A; Ch _X diagnostic selected; – E.g. Ch ₀ : V _{IN0} = 5 V; V _{IN1} = 5 V; V _{SEL0} = 0 V; V _{SEL1} = 0 V; I _{OUT0} = 0 A; I _{OUT1} = 1 A	0		2	
		MultiSense enabled: V _{SEn} = 5 V; Ch _X OFF; Ch _X diagnostic selected; – E.g. Ch ₀ : V _{IN0} = 0 V; V _{IN1} = 5 V; V _{SEL0} = 0 V; V _{SEL1} = 0 V; I _{OUT1} = 1 A	0		2	
V _{OUT_MSD} ⁽¹⁾	Output Voltage for MultiSense shutdown	V _{SEn} = 5 V; R _{SENSE} = 2.7 kΩ – E.g. Ch ₀ : V _{IN0} = 5 V; V _{SEL0} = 0 V; V _{SEL1} = 0 V; I _{OUT0} = 1 A		5		V
V _{SENSE_SAT}	MultiSense saturation voltage	V _{CC} = 7 V; R _{SENSE} = 2.7 kΩ; V _{SEn} = 5 V; V _{IN0} = 5 V; V _{SEL0} = 0 V; V _{SEL1} = 0 V; I _{OUT0} = 2 A; T _j = 150°C	5			V
I _{SENSE_SAT} ⁽¹⁾	CS saturation current	V _{CC} = 7 V; V _{SENSE} = 4 V; V _{IN0} = 5 V; V _{SEn} = 5 V; V _{SEL0} = 0 V; V _{SEL1} = 0 V; T _j = 150°C	4			mA
I _{OUT_SAT} ⁽¹⁾	Output saturation current	V _{CC} = 7 V; V _{SENSE} = 4 V; V _{IN0} = 5 V; V _{SEn} = 5 V; V _{SEL0} = 0 V; V _{SEL1} = 0 V; T _j = 150°C	2.2			A

Table 9. MultiSense (7 V < V_{CC} < 18 V; -40°C < T_j < 150°C) (continued)

Symbol	Parameter	Test conditions	Min.	Typ.	Max.	Unit
OFF-state diagnostic						
V _{OL}	OFF-state open-load voltage detection threshold	V _{SEn} = 5 V; Ch _X OFF; Ch _X diagnostic selected: – E.g: Ch ₀ V _{IN0} = 0 V; V _{SEL0} = 0 V; V _{SEL1} = 0 V;	2	3	4	V
I _{L(off2)}	OFF-state output sink current	V _{IN} = 0 V; V _{OUT} = V _{OL} ; T _j = -40°C to 125°C	-100		-15	μA
t _{DSTKON}	OFF-state diagnostic delay time from falling edge of INPUT (see Figure 9)	V _{SEn} = 5 V; Ch _X ON to OFF transition Ch _X diagnostic selected: – E.g: Ch ₀ V _{IN0} = 5 V to 0 V; V _{SEL0} = 0 V; V _{SEL1} = 0 V; I _{OUT0} = 0 A; V _{OUT} = 4 V	100	350	700	μs
t _{D_OL_V}	Settling time for valid OFF-state open load diagnostic indication from rising edge of SE _n	V _{IN0} = 0 V; V _{IN1} = 0 V; V _{FR} = 0 V; V _{SEL0} = 0 V; V _{SEL1} = 0 V; V _{OUT0} = 4 V; V _{SEn} = 0 V to 5 V			60	μs
t _{D_VOL}	OFF-state diagnostic delay time from rising edge of V _{OUT}	V _{SEn} = 5 V; Ch _X OFF; Ch _X diagnostic selected – E.g: Ch ₀ V _{IN0} = 0 V; V _{SEL0} = 0 V; V _{SEL1} = 0 V; V _{OUT} = 0 V to 4 V		5	30	μs
Chip temperature analog feedback						
V _{SENSE_TC}	MultiSense output voltage proportional to chip temperature	V _{SEn} = 5 V; V _{SEL0} = 0 V; V _{SEL1} = 5 V; V _{IN0,1} = 0 V; R _{SENSE} = 1 kΩ; T _j = -40 °C	2.32 5	2.41	2.495	V
		V _{SEn} = 5 V; V _{SEL0} = 0 V; V _{SEL1} = 5 V; V _{IN0,1} = 0 V; R _{SENSE} = 1 kΩ; T _j = 25 °C	1.98 5	2.07	2.155	V
		V _{SEn} = 5 V; V _{SEL0} = 0 V; V _{SEL1} = 5 V; V _{IN0,1} = 0 V; R _{SENSE} = 1 kΩ; T _j = 125 °C	1.43 5	1.52	1.605	V
dV _{SENSE_TC} /dT ⁽¹⁾	Temperature coefficient	T _j = -40 °C to 150 °C		-5.5		mV/ K
Transfer function	V _{SENSE_TC} (T) = V _{SENSE_TC} (T ₀) + dV _{SENSE_TC} / dT * (T - T ₀)					
V_{CC} supply voltage analog feedback						
V _{SENSE_VCC}	MultiSense output voltage proportional to V _{CC} supply voltage	V _{CC} = 13 V; V _{SEn} = 5 V; V _{IN0,1} = 0 V; V _{SEL0} = 5 V; V _{SEL1} = 5 V; R _{SENSE} = 1 kΩ	3.16	3.23	3.3	V

Table 9. MultiSense (7 V < V_{CC} < 18 V; -40°C < T_j < 150°C) (continued)

Symbol	Parameter	Test conditions	Min.	Typ.	Max.	Unit
Transfer function ⁽³⁾		V _{SENSE_VCC} = V _{CC} / 4				
Fault diagnostic feedback (see Table 10)						
V _{SENSEH}	MultiSense output voltage in fault condition	V _{CC} = 13 V; R _{SENSE} = 1 kΩ; – E.g: Ch ₀ in open load V _{IN0} = 0 V; V _{SEn} = 5 V; V _{SEL0} = 0 V; V _{SEL1} = 0 V; I _{OUT0} = 0 A; V _{OUT} = 4 V	5		6.6	V
I _{SENSEH}	MultiSense output current in fault condition ⁽²⁾	V _{CC} = 13 V; V _{SENSE} = 5 V	7	20	30	mA
MultiSense timings (current sense mode - see Figure 7)						
t _{DSENSE1H}	Current sense settling time from rising edge of SEn	V _{IN} = 5 V; V _{SEn} = 0 V to 5 V; R _{SENSE} = 1 kΩ; R _L = 13 Ω			60	μs
t _{DSENSE1L}	Current sense disable delay time from falling edge of SEn	V _{IN} = 5 V; V _{SEn} = 5 V to 0 V; R _{SENSE} = 1 kΩ; R _L = 13 Ω		5	20	μs
t _{DSENSE2H}	Current sense settling time from rising edge of INPUT	V _{IN} = 0 V to 5 V; V _{SEn} = 5 V; R _{SENSE} = 1 kΩ; R _L = 13 Ω		100	250	μs
Δt _{DSENSE2H}	Current sense settling time from rising edge of I _{OUT} (dynamic response to a step change of I _{OUT})	V _{IN} = 5 V; V _{SEn} = 5 V; R _{SENSE} = 1 kΩ; I _{SENSE} = 90 % of I _{SENSEMAX} ; R _L = 13 Ω			100	μs
t _{DSENSE2L}	Current sense turn-off delay time from falling edge of INPUT	V _{IN} = 5 V to 0 V; V _{SEn} = 5 V; R _{SENSE} = 1 kΩ; R _L = 13 Ω		50	250	μs
MultiSense timings (chip temperature sense mode - see Figure 8)						
t _{DSENSE3H}	V _{SENSE_TC} settling time from rising edge of SEn	V _{SEn} = 0 V to 5 V; V _{SEL0} = 0 V; V _{SEL1} = 5 V; R _{SENSE} = 1 kΩ			60	μs
t _{DSENSE3L}	V _{SENSE_TC} disable delay time from falling edge of SEn	V _{SEn} = 5 V to 0 V; V _{SEL0} = 0 V; V _{SEL1} = 5 V; R _{SENSE} = 1 kΩ			20	μs
MultiSense timings (V_{CC} voltage sense mode - see Figure 8)						
t _{DSENSE4H}	V _{SENSE_VCC} settling time from rising edge of SEn	V _{SEn} = 0 V to 5 V; V _{SEL0} = 5 V; V _{SEL1} = 5 V; R _{SENSE} = 1 kΩ			60	μs
t _{DSENSE4L}	V _{SENSE_VCC} disable delay time from falling edge of SEn	V _{SEn} = 5 V to 0 V; V _{SEL0} = 5 V; V _{SEL1} = 5 V; R _{SENSE} = 1 kΩ			20	μs

Table 9. MultiSense (7 V < V_{CC} < 18 V; -40°C < T_j < 150°C) (continued)

Symbol	Parameter	Test conditions	Min.	Typ.	Max.	Unit
MultiSense timings (Multiplexer transition times)⁽⁴⁾						
t _{D_XtoY}	MultiSense transition delay from Ch _X to Ch _Y	V _{IN0} = 5 V; V _{IN1} = 5 V; V _{SEn} = 5 V; V _{SEL1} = 0 V; V _{SEL0} = 0 V to 5 V; I _{OUT0} = 0 A; I _{OUT1} = 1 A; R _{SENSE} = 1 kΩ			20	μs
t _{D_CStoTC}	MultiSense transition delay from current sense to T _C sense	V _{IN0} = 5 V; V _{SEn} = 5 V; V _{SEL0} = 0 V; V _{SEL1} = 0 V to 5 V; I _{OUT0} = 0.5 A; R _{SENSE} = 1 kΩ			60	μs
t _{D_TCtoCS}	MultiSense transition delay from T _C sense to current sense	V _{IN0} = 5 V; V _{SEn} = 5 V; V _{SEL0} = 0 V; V _{SEL1} = 5 V to 0 V; I _{OUT0} = 0.5 A; R _{SENSE} = 1 kΩ			20	μs
t _{D_CStoVCC}	MultiSense transition delay from current sense to V _{CC} sense	V _{IN1} = 5 V; V _{SEn} = 5 V; V _{SEL0} = 5 V; V _{SEL1} = 0 V to 5 V; I _{OUT1} = 0.5 A; R _{SENSE} = 1 kΩ			60	μs
t _{D_VCCtoCS}	MultiSense transition delay from V _{CC} sense to current sense	V _{IN1} = 5 V; V _{SEn} = 5 V; V _{SEL0} = 5 V; V _{SEL1} = 5 V to 0 V; I _{OUT1} = 0.5 A; R _{SENSE} = 1 kΩ			20	μs
t _{D_TCtoVCC}	MultiSense transition delay from T _C sense to V _{CC} sense	V _{CC} = 13 V; T _j = 125 °C; V _{SEn} = 5 V; V _{SEL0} = 0 V to 5 V; V _{SEL1} = 5 V; R _{SENSE} = 1 kΩ			20	μs
t _{D_VCCtoTC}	MultiSense transition delay from V _{CC} sense to T _C sense	V _{CC} = 13 V; T _j = 125 °C; V _{SEn} = 5 V; V _{SEL0} = 5 V to 0 V; V _{SEL1} = 5 V; R _{SENSE} = 1 kΩ			20	μs
t _{D_CStoVSENSEH}	MultiSense transition delay from stable current sense on Ch _X to V _{SENSEH} on Ch _Y	V _{IN0} = 5 V; V _{IN1} = 0 V; V _{SEn} = 5 V; V _{SEL1} = 0 V; V _{SEL0} = 0 V to 5 V; I _{OUT0} = 1 A; V _{OUT1} = 4 V; R _{SENSE} = 1 kΩ			60	μs

1. Parameter specified by design; not subject to production test.
2. All values refer to V_{CC} = 13 V; T_j = 25°C, unless otherwise specified.
3. V_{CC} sensing and T_C sensing are referred to GND potential.
4. Transition delay are measured up to +/- 10% of final conditions.

Figure 4. I_{OUT}/I_{SENSE} versus I_{OUT}

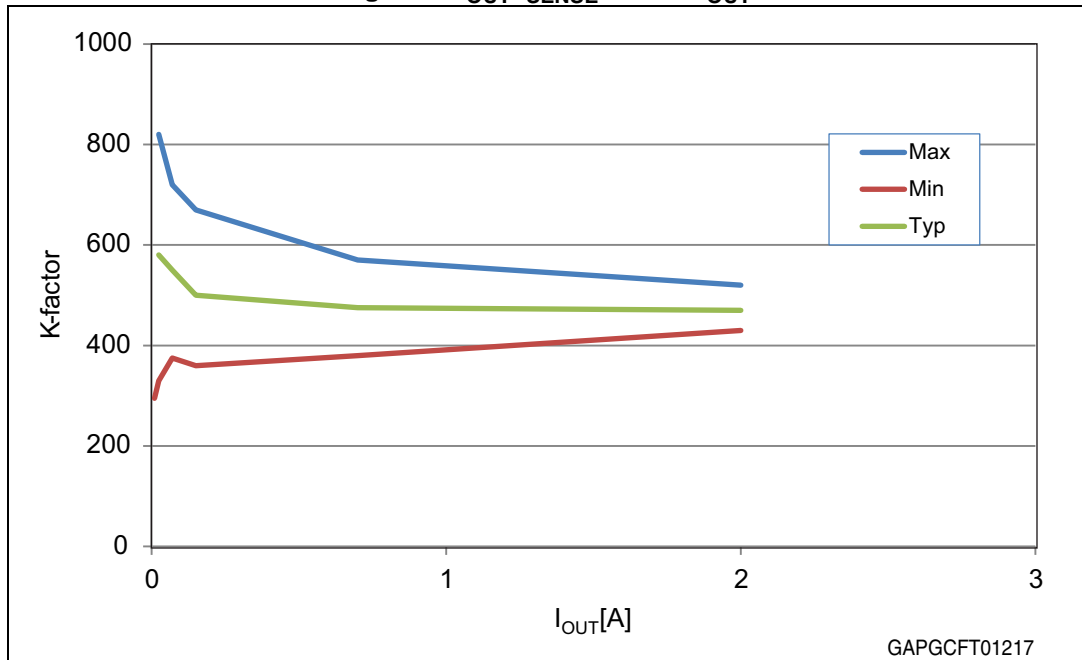


Figure 5. Current sense accuracy versus I_{OUT}

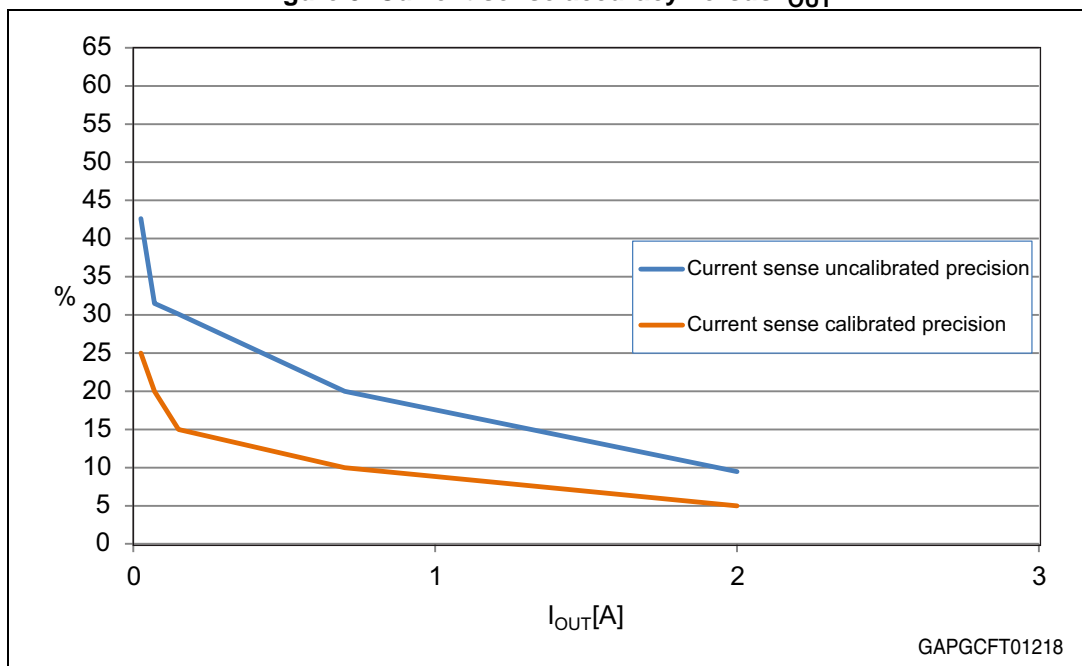


Figure 6. Switching times and Pulse skew

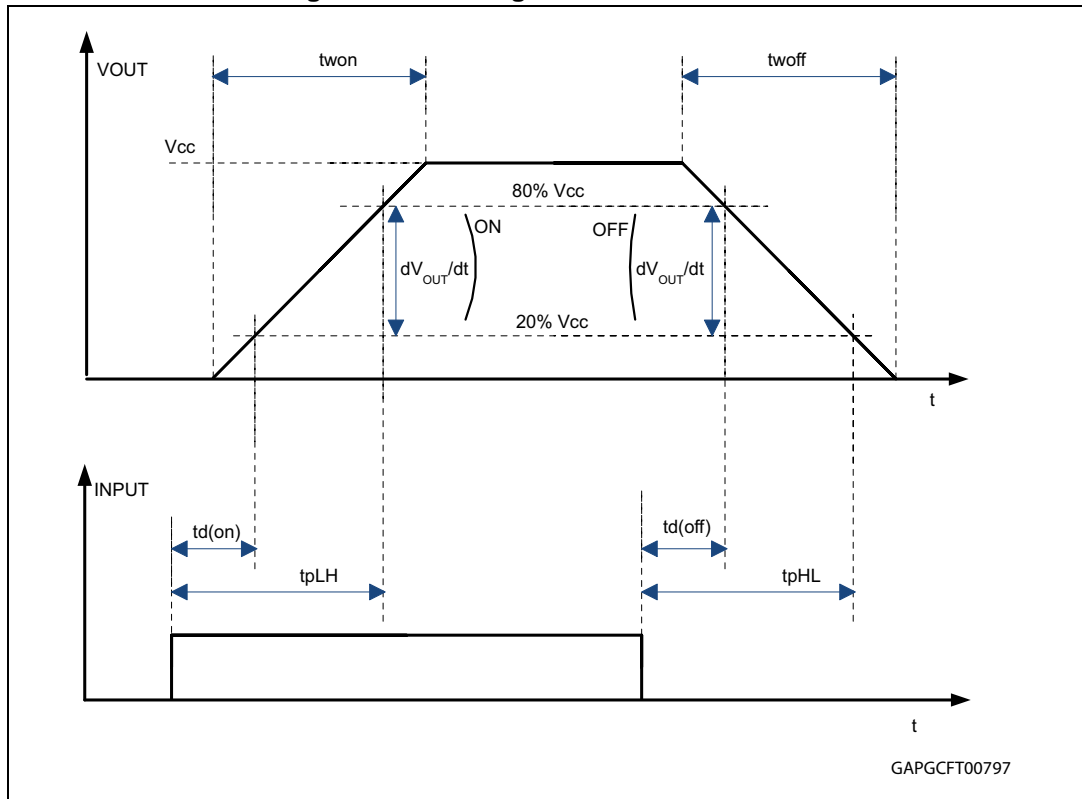


Figure 7. MultiSense timings (current sense mode)

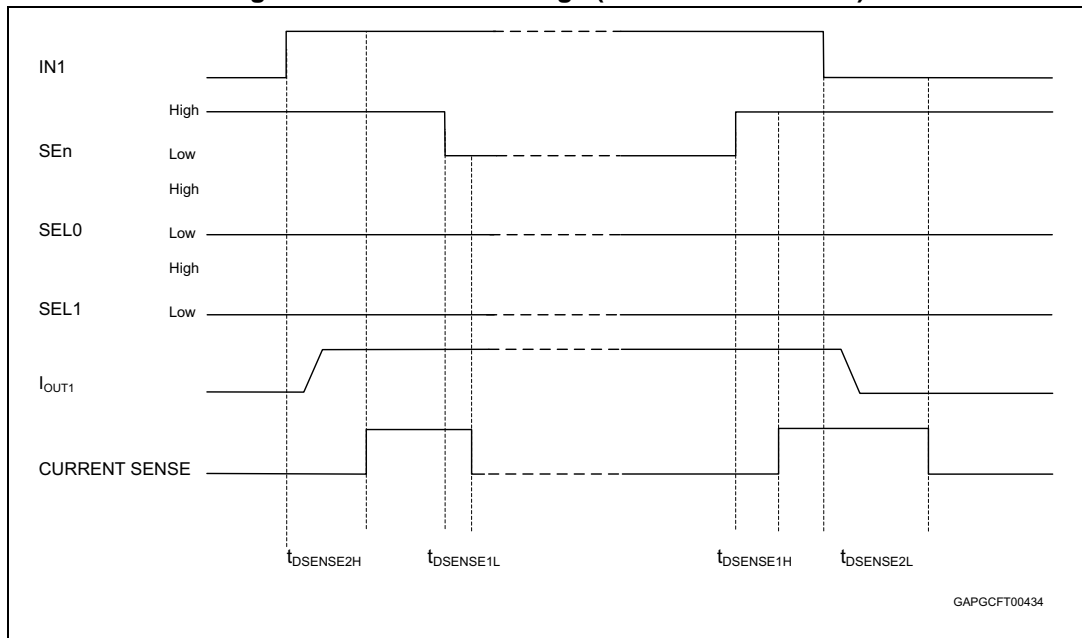


Figure 8. MultiSense timings (chip temperature and V_{CC} sense mode)

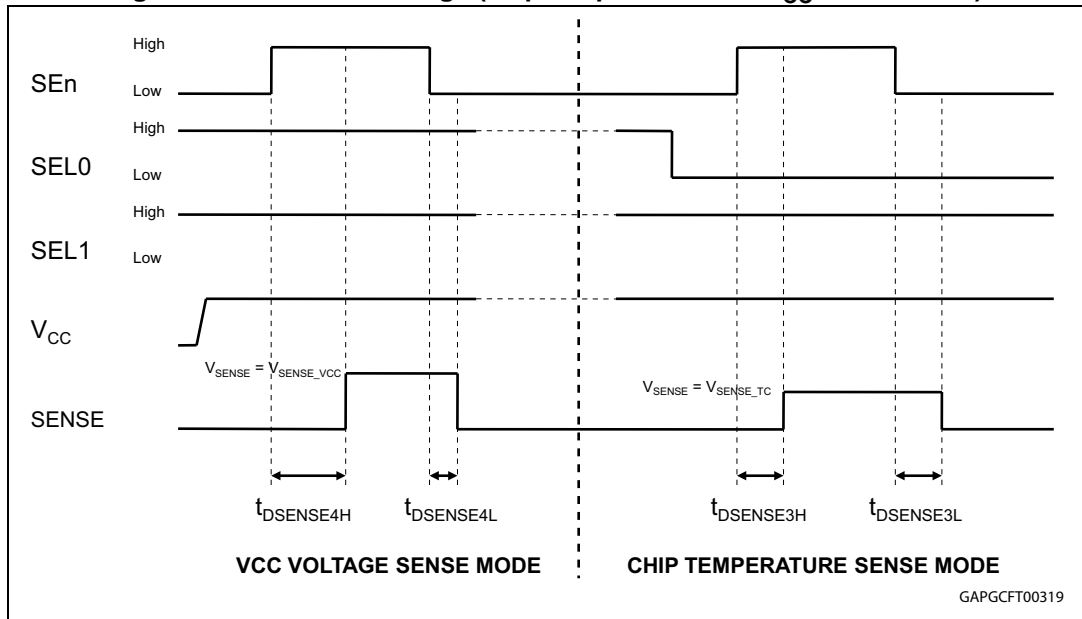


Figure 9. T_{DSTKON}

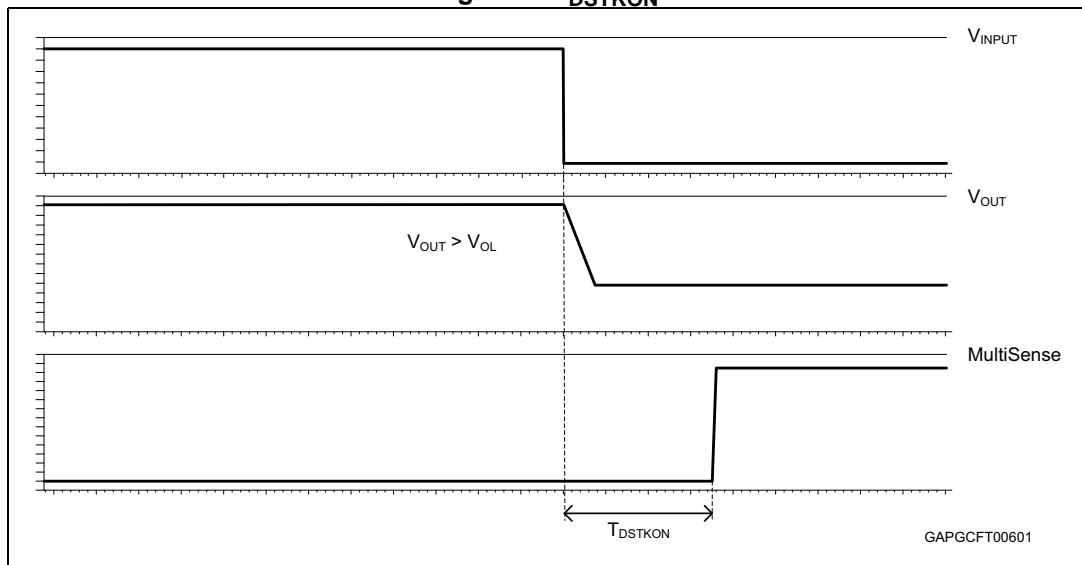


Table 10. Truth table

Mode	Conditions	IN _x	FR	SEn	SEL _x	OUT _x	MultiSense	Comments
Standby	All logic inputs low	L	L	L	L	L	Hi-Z	Low quiescent current consumption
Normal	Nominal load connected; T _j < 150°C	L	X	Refer to Table 11	Refer to Table 11	L	Refer to Table 11	
		H	L			H		Outputs configured for auto-restart
		H	H			H		Outputs configured for Latch-off
Overload	Overload or short to GND causing: T _j > T _{TSD} or ΔT _j > ΔT _{j_SD}	L	X	Refer to Table 11	Refer to Table 11	L	Refer to Table 11	
		H	L			H		Output cycles with temperature hysteresis
		H	H			L		Output latches-off
Under-voltage	V _{CC} < V _{USD} (falling)	X	X	X	X	L L	Hi-Z Hi-Z	Re-start when V _{CC} > V _{USD} + V _{USDhyst} (rising)
OFF-state diagnostics	Short to V _{CC}	L	X	Refer to Table 11	Refer to Table 11	H	Refer to Table 11	
	Open-load	L	X			H		External pull-up
Negative output voltage	Inductive loads turn-off	L	X	Refer to Table 11		< 0 V	Refer to Table 11	

Table 11. MultiSense multiplexer addressing

SEn	SEL ₁	SEL ₀	MUX channel	MultiSense output			
				Nomal mode	Overload	OFF-state diag. ⁽¹⁾	Negative output
L	X	X		Hi-Z			
H	L	L	Channel 0 diagnostic	I _{SENSE} = 1/K * I _{OUT0}	V _{SENSE} = V _{SENSEH}	V _{SENSE} = V _{SENSEH}	Hi-Z
H	L	H	Channel 1 diagnostic	I _{SENSE} = 1/K * I _{OUT1}	V _{SENSE} = V _{SENSEH}	V _{SENSE} = V _{SENSEH}	Hi-Z
H	H	L	T _{CHIP} Sense	V _{SENSE} = V _{SENSE_TC}			
H	H	H	V _{CC} Sense	V _{SENSE} = V _{SENSE_VCC}			

1. In case the output channel corresponding to the selected MUX channel is latched off while the relevant input is low, MultiSense pin delivers feedback according to OFF-State diagnostic.
 Example 1: FR = 1; IN₀ = 0; OUT₀ = L (latched); MUX channel = channel 0 diagnostic; Mutisense = 0
 Example 2: FR = 1; IN₀ = 0; OUT₀ = latched, V_{OUT0} > V_{OL}; MUX channel = channel 0 diagnostic; Mutisense = V_{SENSEH}

2.4 Waveforms

Figure 10. Latch functionality - behavior in hard short circuit condition ($T_{AMB} \ll T_{TSD}$)

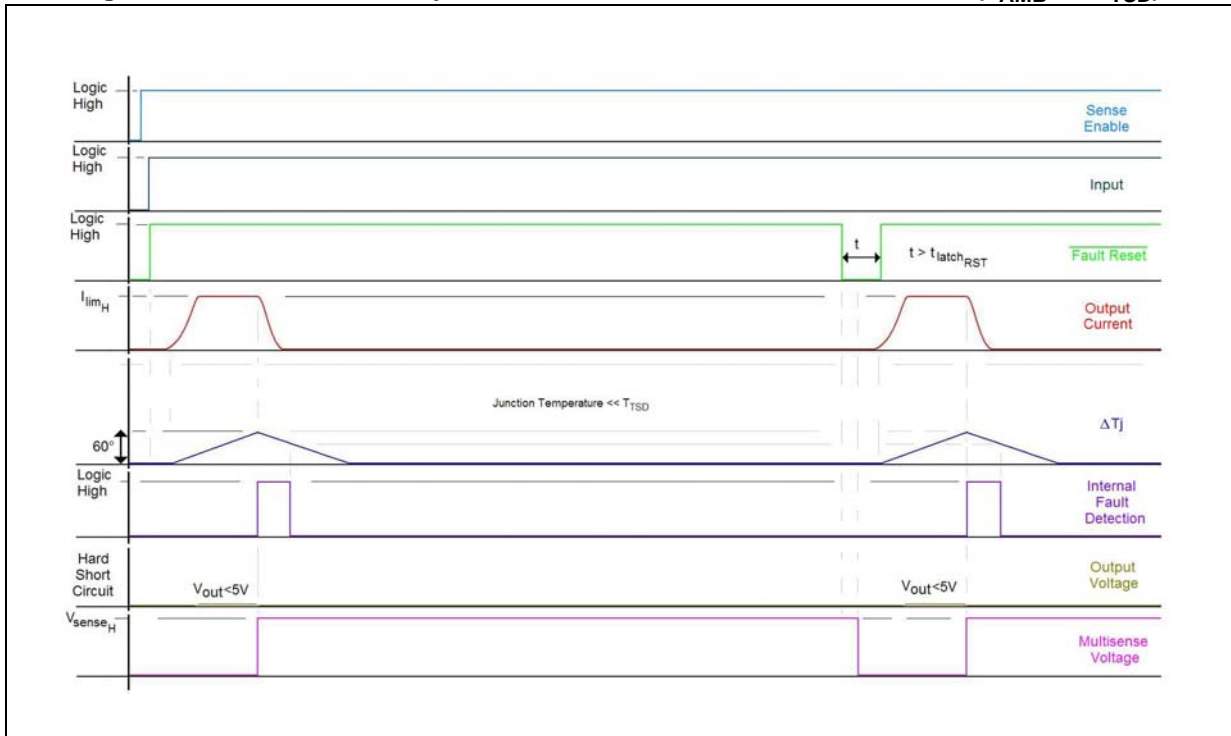


Figure 11. Latch functionality - behavior in hard short circuit condition



Figure 12. Latch functionality - behavior in hard short circuit condition (autorestart mode + latch off)

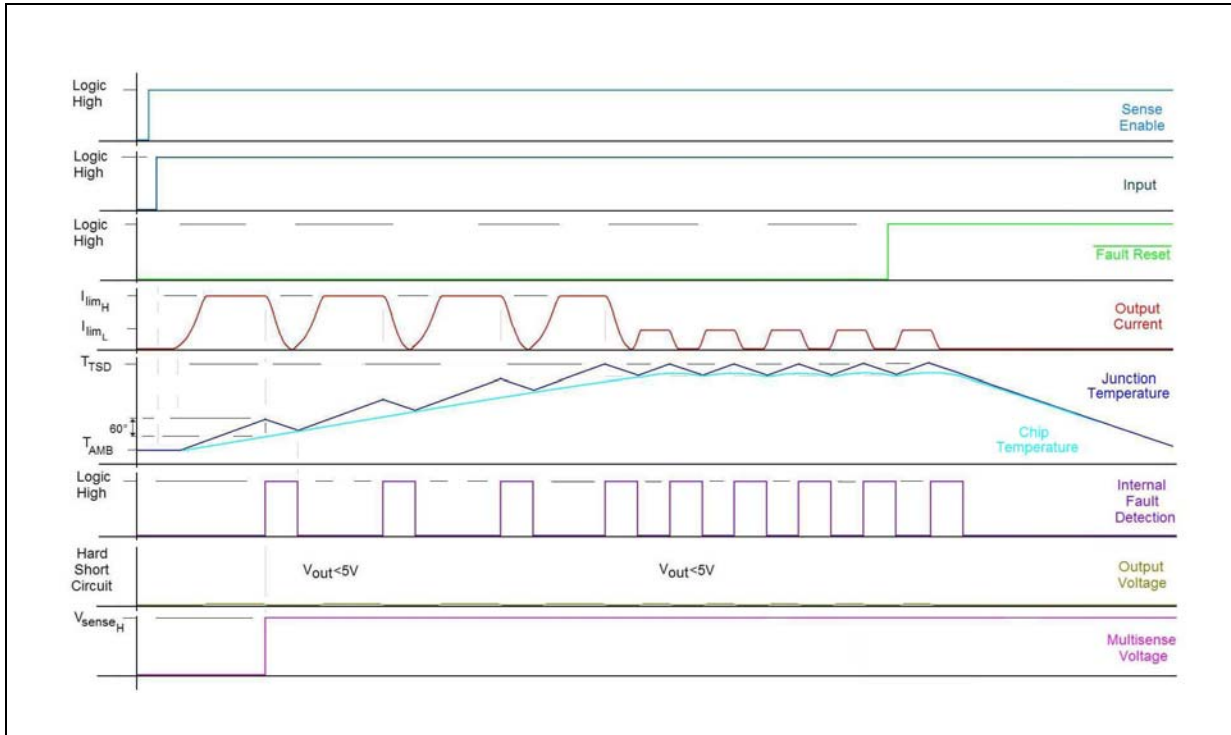


Figure 13. Standby mode activation

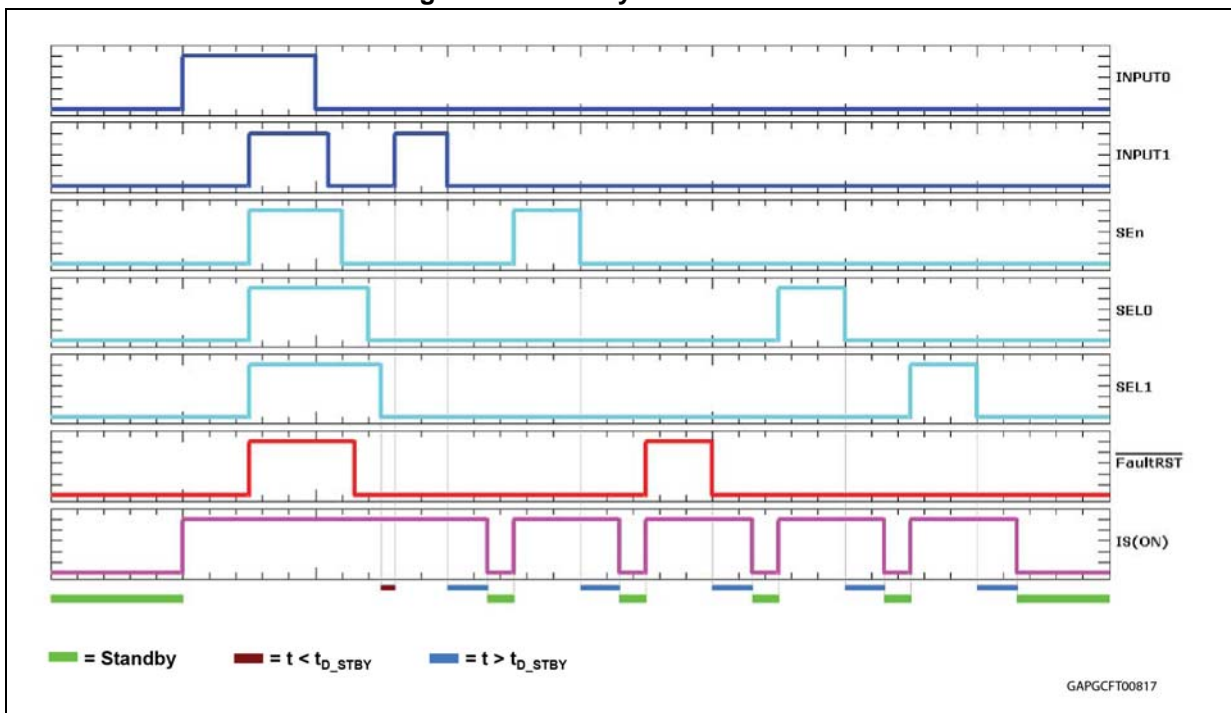
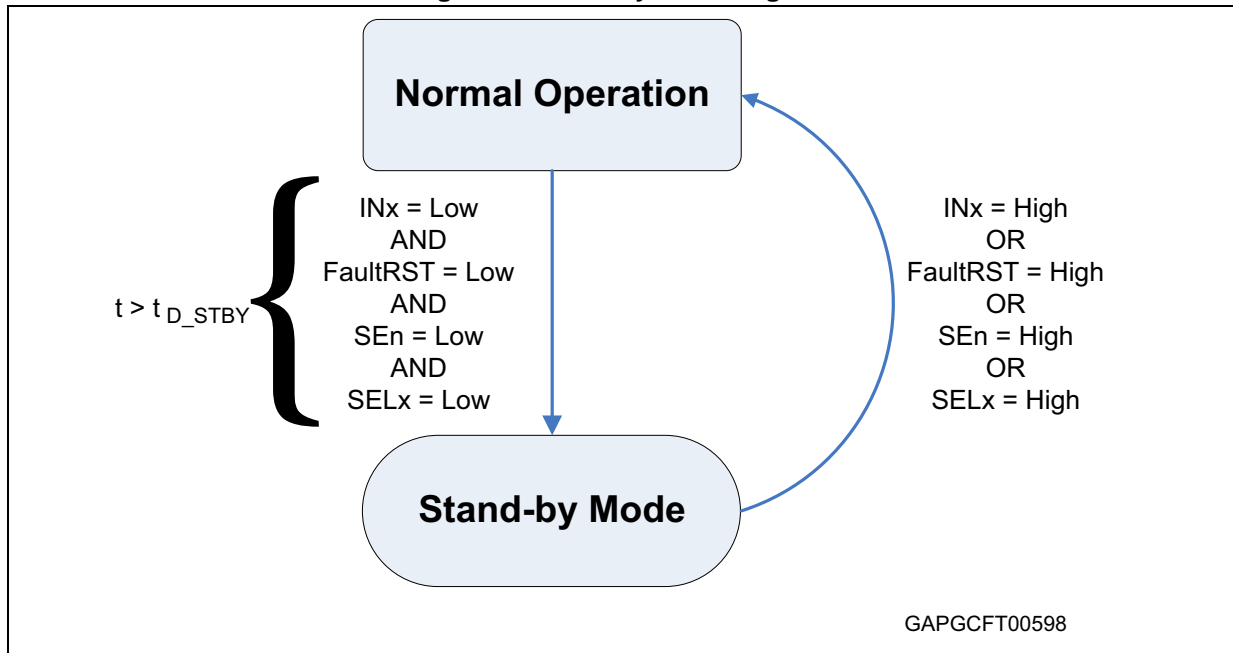


Figure 14. Standby state diagram



2.5 Electrical characteristics curves

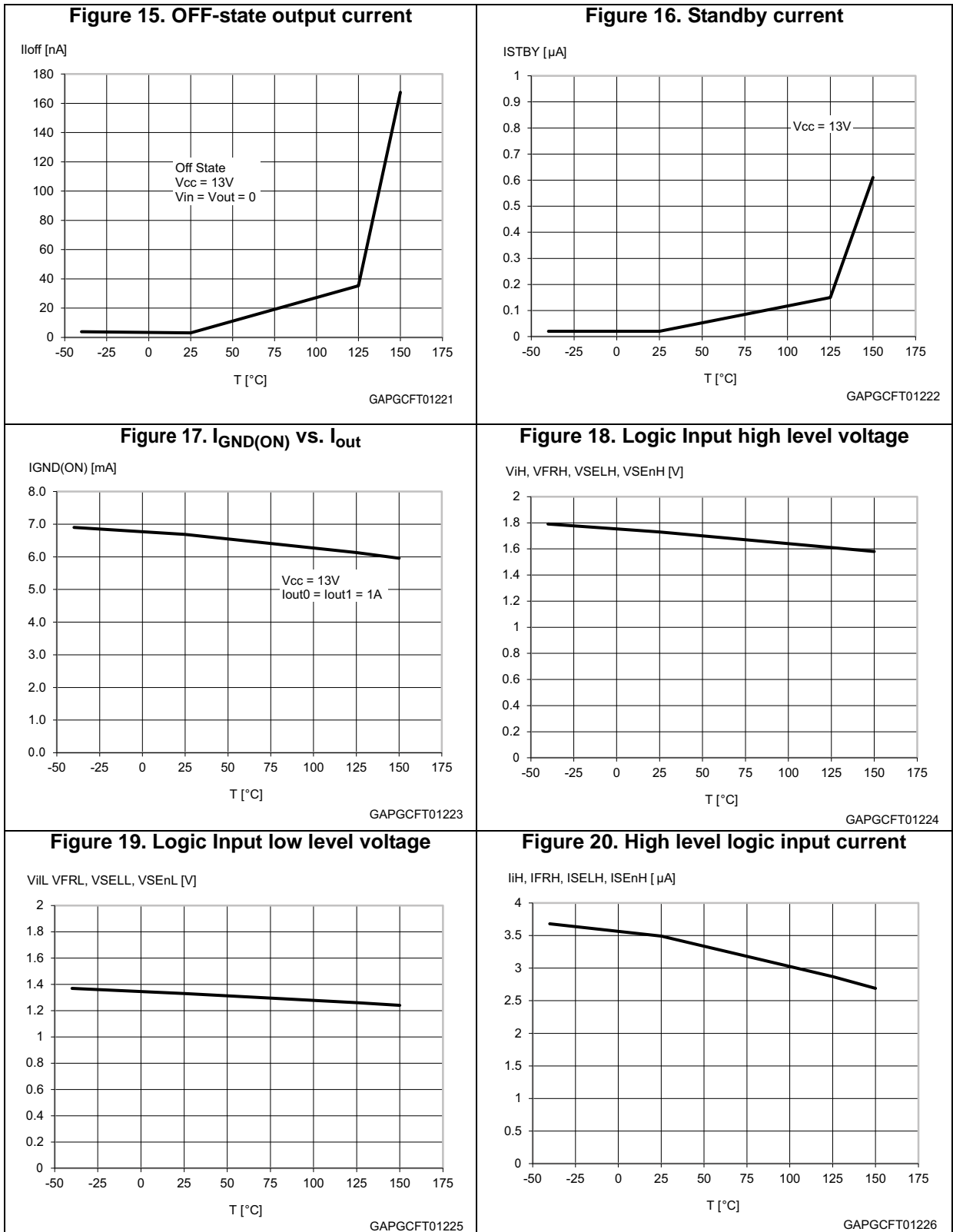


Figure 21. Low level logic input current

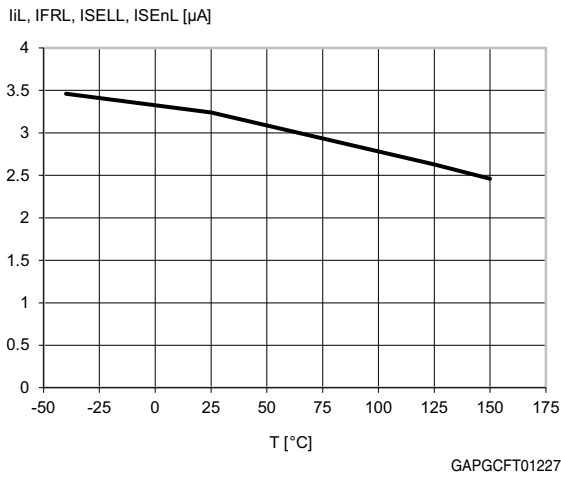


Figure 22. Logic Input hysteresis voltage

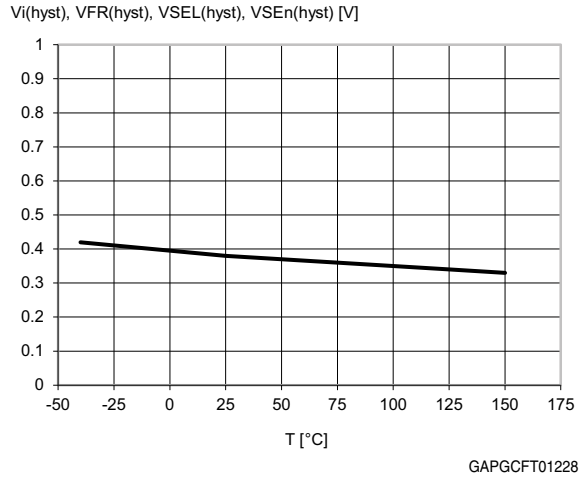


Figure 23. FaultRST Input clamp voltage

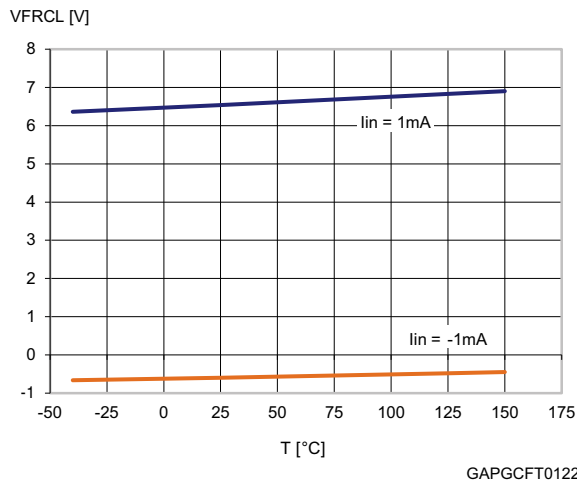


Figure 24. Undervoltage shutdown

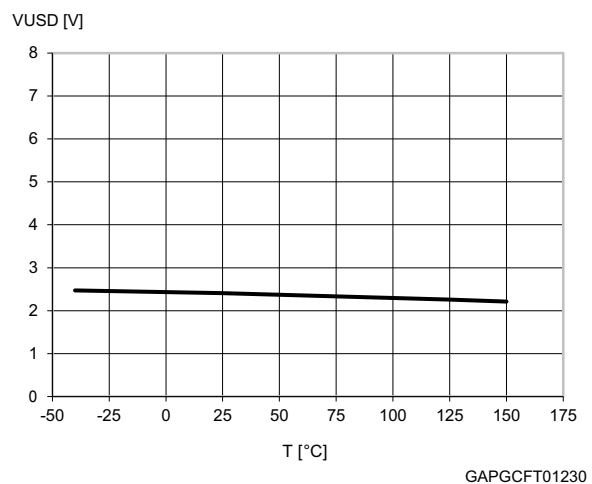


Figure 25. On-state resistance vs. T_{case}

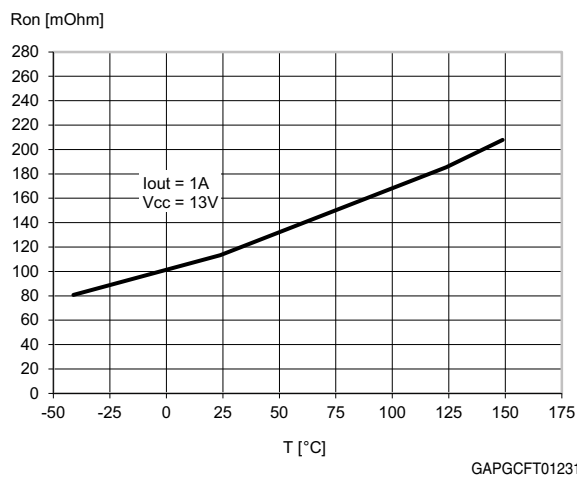
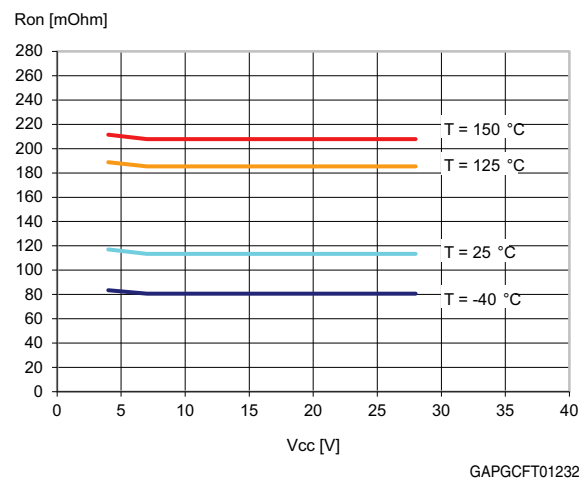
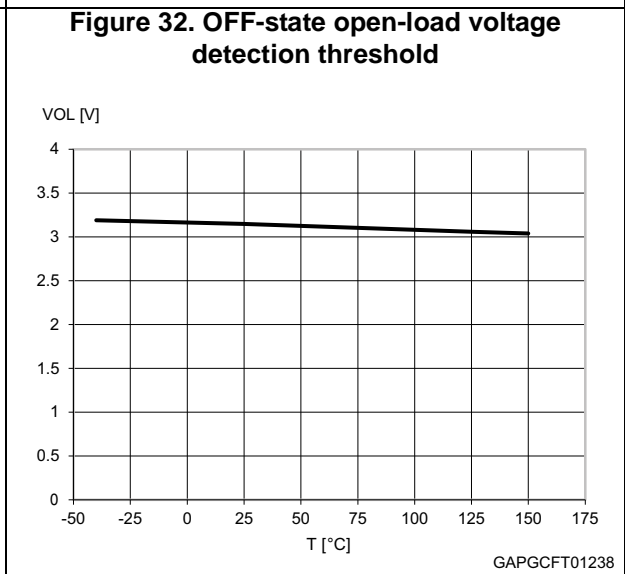
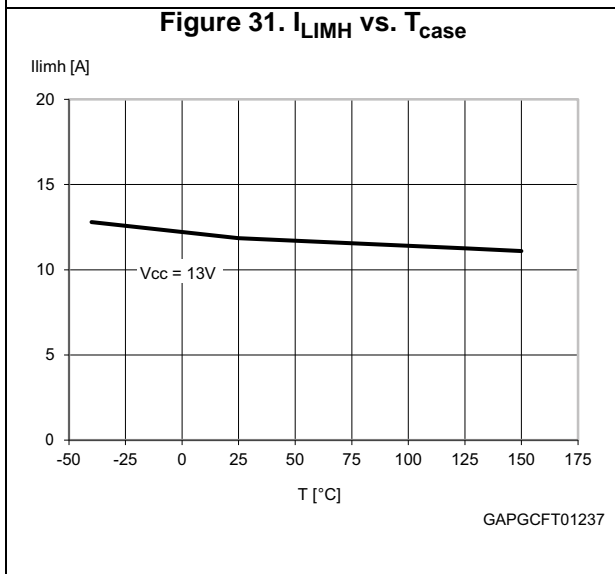
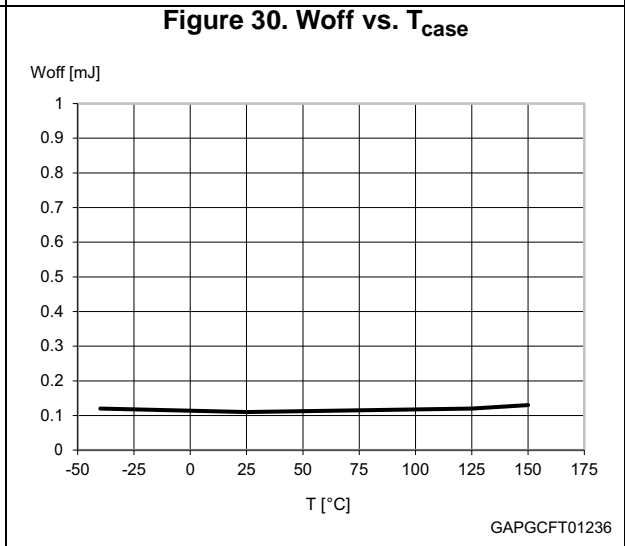
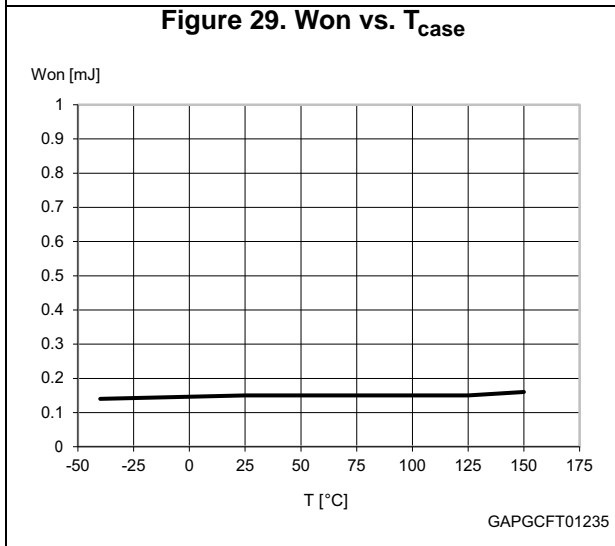
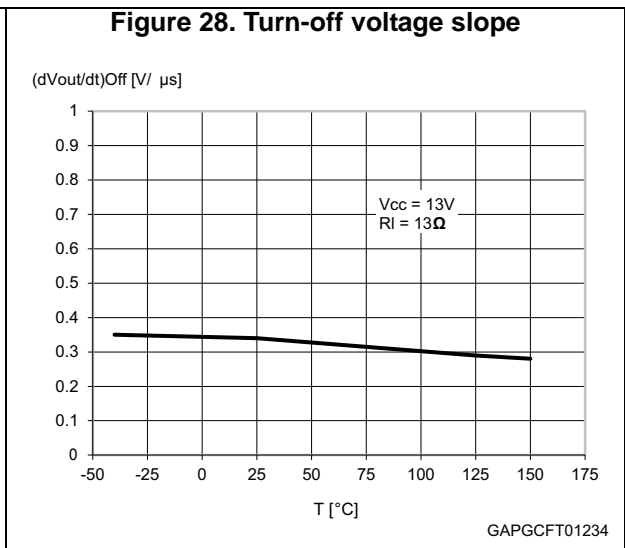
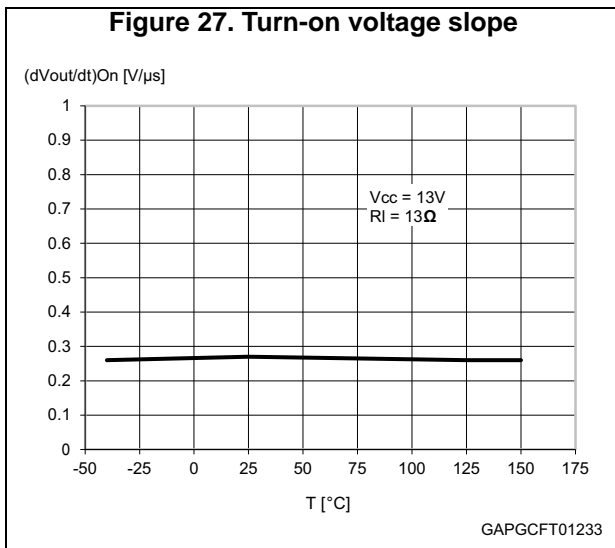
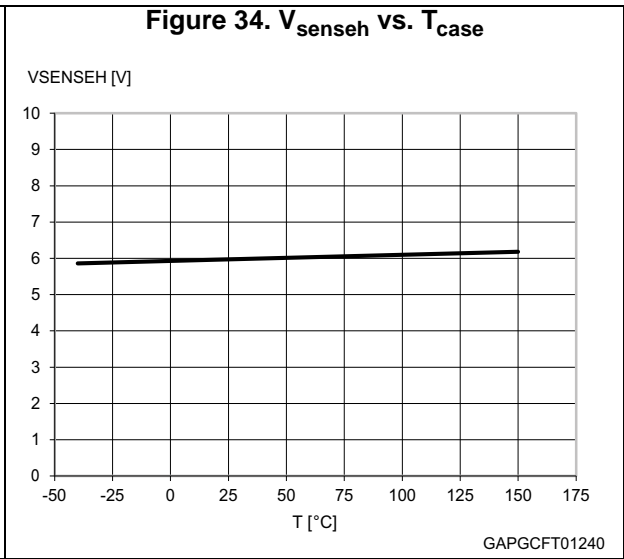
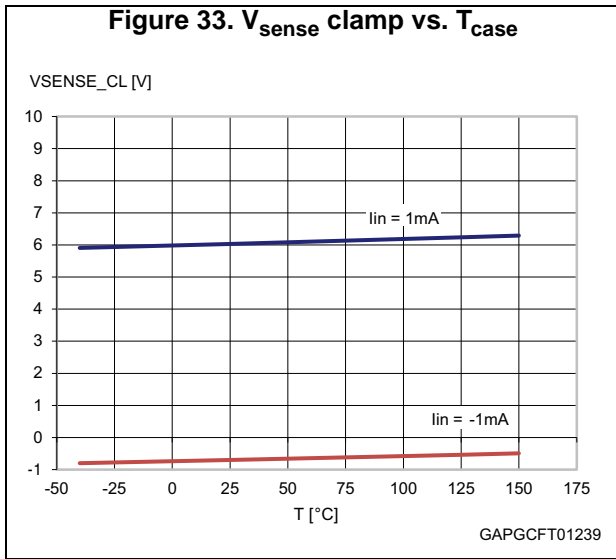


Figure 26. On-state resistance vs. V_{CC}







3 Protections

3.1 Power limitation

The basic working principle of this protection consists of an indirect measurement of the junction temperature swing ΔT_j through the direct measurement of the spatial temperature gradient on the device surface in order to automatically shut off the output MOSFET as soon as ΔT_j exceeds the safety level of ΔT_{j_SD} . According to the voltage level on the FaultRST pin, the output MOSFET switches on and cycles with a thermal hysteresis according to the maximum instantaneous power which can be handled (FaultRST = Low) or remains off (FaultRST = High). The protection prevents fast thermal transient effects and, consequently, reduces thermo-mechanical fatigue.

3.2 Thermal shutdown

In case the junction temperature of the device exceeds the maximum allowed threshold (typically 175°C), it automatically switches off and the diagnostic indication is triggered. According to the voltage level on the FaultRST pin, the device switches on again as soon as its junction temperature drops to T_R (see [Table 8](#), FaultRST = Low) or remains off (FaultRST = High).

3.3 Current limitation

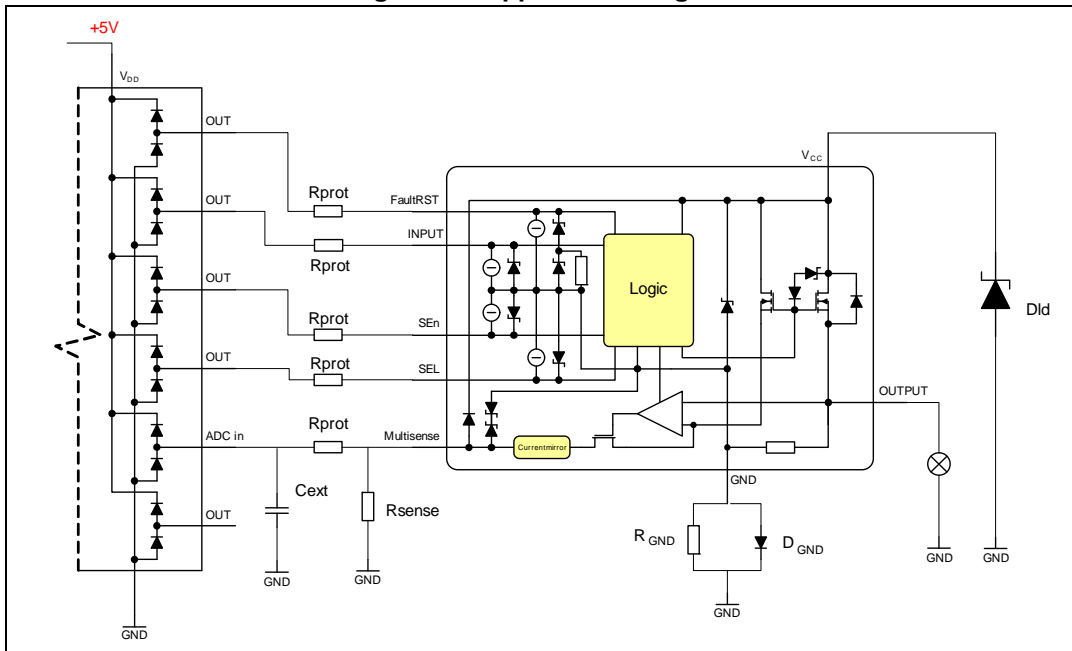
The device is equipped with an output current limiter in order to protect the silicon as well as the other components of the system (e.g. bonding wires, wiring harness, connectors, loads, etc.) from excessive current flow. Consequently, in case of short circuit, overload or during load power-up, the output current is clamped to a safety level, I_{LIMH} , by operating the output power MOSFET in the active region.

3.4 Negative voltage clamp

In case the device drives inductive load, the output voltage reaches negative value during turn off. A negative voltage clamp structure limits the maximum negative voltage to a certain value, V_{DEMAG} (see [Table 8](#)), allowing the inductor energy to be dissipated without damaging the device.

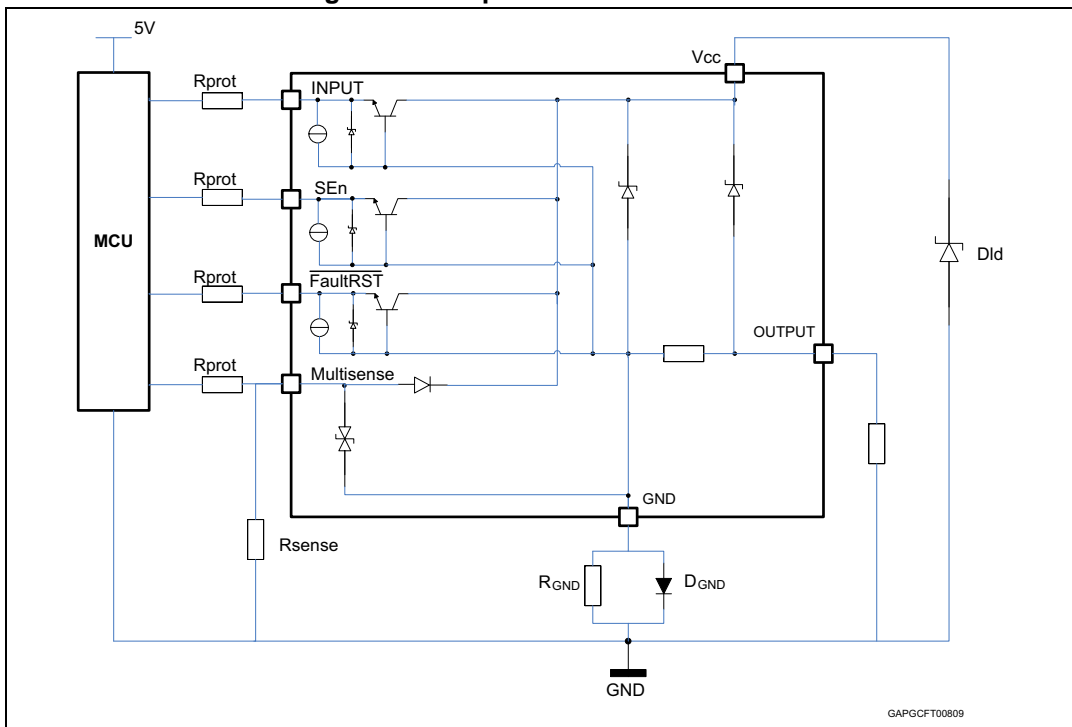
4 Application information

Figure 35. Application diagram



4.1 GND protection network against reverse battery

Figure 36. Simplified internal structure



4.1.1 Diode (D_{GND}) in the ground line

A resistor (typ. $R_{GND} = 4.7 \text{ k}\Omega$) should be inserted in parallel to D_{GND} if the device drives an inductive load.

This small signal diode can be safely shared amongst several different HSDs. Also in this case, the presence of the ground network produces a shift ($\approx 600 \text{ mV}$) in the input threshold and in the status output values if the microprocessor ground is not common to the device ground. This shift does not vary if more than one HSD shares the same diode/resistor network.

4.2 Immunity against transient electrical disturbances

The immunity of the device against transient electrical emissions, conducted along the supply lines and injected into the V_{CC} pin, is tested in accordance with ISO7637-2:2011 (E) and ISO 16750-2:2010.

The related function performance status classification is shown in [Table 12](#).

Test pulses are applied directly to DUT (Device Under Test) both in ON and OFF-state and in accordance to ISO 7637-2:2011(E), chapter 4. The DUT is intended as the present device only, without components and accessed through V_{CC} and GND terminals.

Status II is defined in ISO 7637-1 Function Performance Status Classification (FPSC) as follows: "The function does not perform as designed during the test but returns automatically to normal operation after the test".

Table 12. ISO 7637-2 - electrical transient conduction along supply line

Test Pulse 2011(E)	Test pulse severity level with Status II functional performance status		Minimum number of pulses or test time	Burst cycle / pulse repetition time		Pulse duration and pulse generator internal impedance
	Level	$U_S^{(1)}$		min	max	
1	III	-112V	500 pulses	0,5 s		2ms, 10 Ω
2a	III	+55V	500 pulses	0,2 s	5 s	50 μ s, 2 Ω
3a	IV	-220V	1h	90 ms	100 ms	0.1 μ s, 50 Ω
3b	IV	+150V	1h	90 ms	100 ms	0.1 μ s, 50 Ω
4 ⁽²⁾	IV	-7V	1 pulse			100ms, 0.01 Ω
Load dump according to ISO 16750-2:2010						
Test B ⁽³⁾		40V	5 pulse	1 min		400ms, 2 Ω

1. U_S is the peak amplitude as defined for each test pulse in ISO 7637-2:2011(E), chapter 5.6.

2. Test pulse from ISO 7637-2:2004(E).

3. With 40 V external suppressor referred to ground ($-40^\circ\text{C} < T_j < 150^\circ\text{C}$).

4.3 MCU I/Os protection

If a ground protection network is used and negative transients are present on the V_{CC} line, the control pins will be pulled negative. ST suggests to insert a resistor (R_{prot}) in line both to prevent the microcontroller I/O pins to latch-up and to protect the HSD inputs.

The value of these resistors is a compromise between the leakage current of microcontroller and the current required by the HSD I/Os (Input levels compatibility) with the latch-up limit of microcontroller I/Os.

Equation 1

$$V_{CCpeak}/I_{latchup} \leq R_{prot} \leq (V_{OH\mu C} - V_{IH} - V_{GND}) / I_{IHmax}$$

Calculation example:

For $V_{CCpeak} = -150$ V; $I_{latchup} \geq 20$ mA; $V_{OH\mu C} \geq 4.5$ V

$$7.5 \text{ k}\Omega \leq R_{prot} \leq 140 \text{ k}\Omega.$$

Recommended values: $R_{prot} = 15 \text{ k}\Omega$

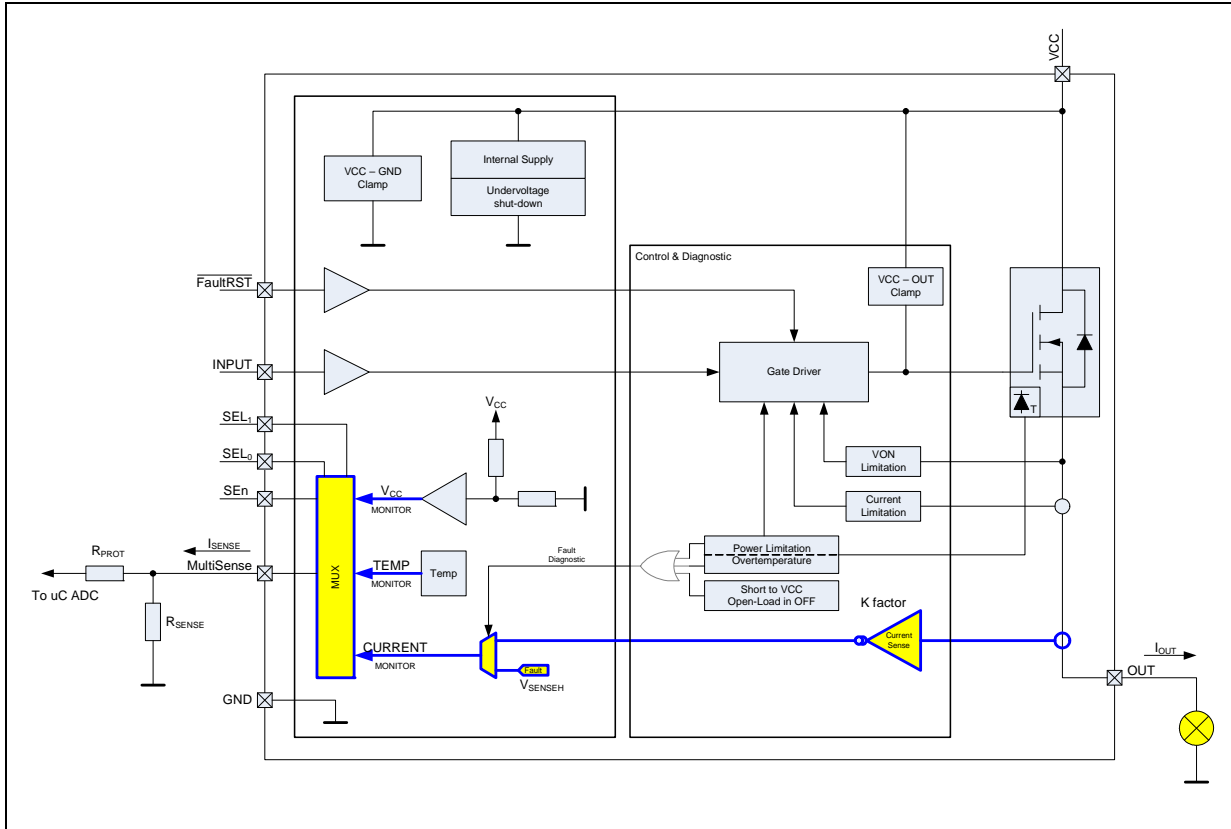
4.4 MultiSense - analog current sense

Diagnostic information on device and load status are provided by an analog output pin (MultiSense) delivering the following signals:

- Current monitor: current mirror of channel output current
- V_{CC} monitor: voltage proportional to V_{CC}
- T_{CASE} : voltage proportional to chip temperature

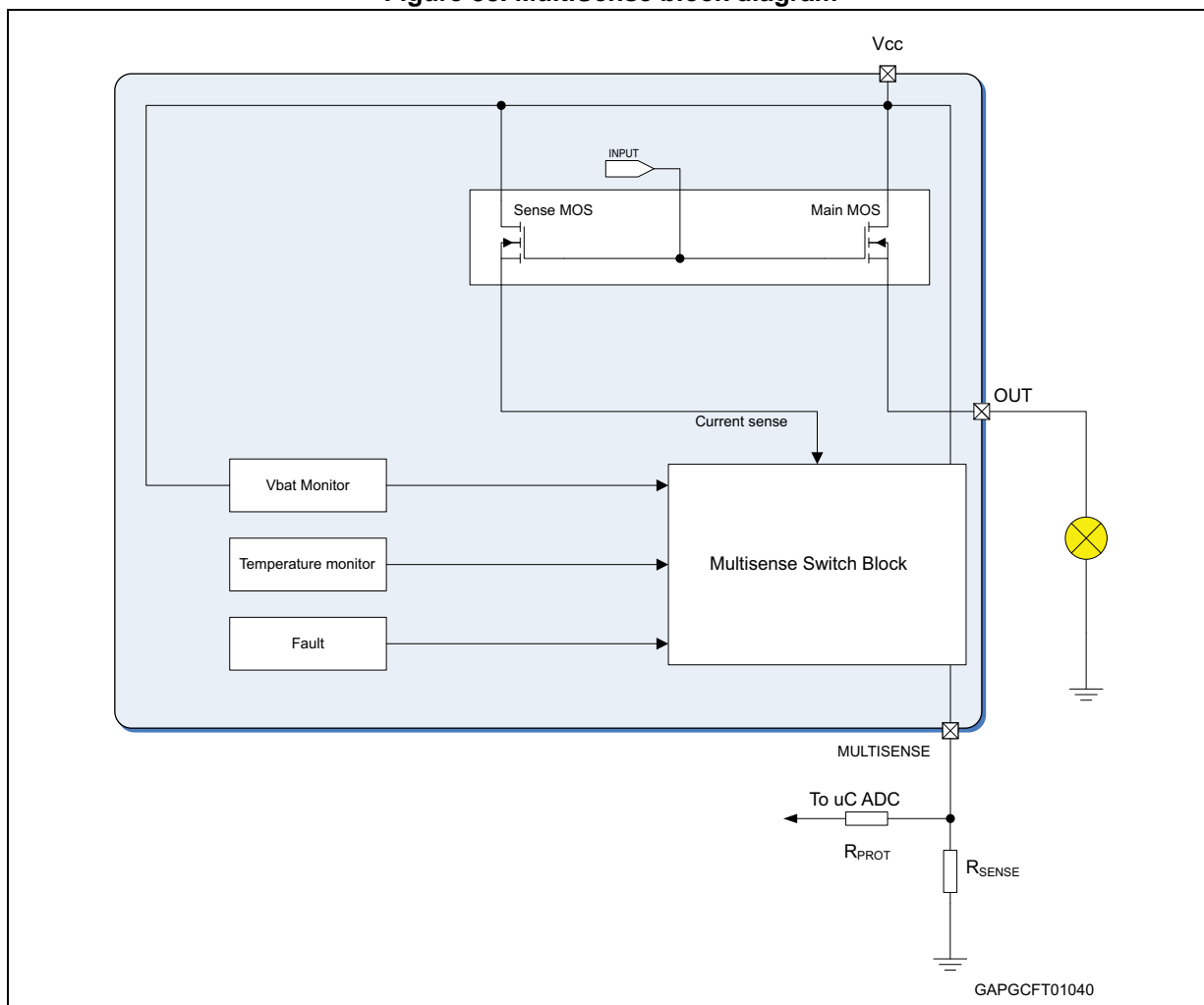
Those signals are routed through an analog multiplexer which is configured and controlled by means of SELx and SEN pins, according to the address map in [Table 11](#).

Figure 37. MultiSense and diagnostic – block diagram



4.4.1 Principle of MultiSense signal generation

Figure 38. MultiSense block diagram



Current monitor

When current mode is selected in the MultiSense, this output is capable to provide:

- **Current mirror proportional to the load current in normal operation**, delivering current proportional to the load according to known ratio named **K**
- **Diagnostics flag in fault conditions** delivering fixed voltage V_{SENSEH}

The current delivered by the current sense circuit, I_{SENSE} , can be easily converted to a voltage V_{SENSE} by using an external sense resistor, R_{SENSE} , allowing continuous load monitoring and abnormal condition detection.

Normal operation (channel ON, no fault, SEn active)

While device is operating in normal conditions (no fault intervention), V_{SENSE} calculation can be done using simple equations

Current provided by MultiSense output: $I_{SENSE} = I_{OUT}/K$

Voltage on R_{SENSE} : $V_{SENSE} = R_{SENSE} \cdot I_{SENSE} = R_{SENSE} \cdot I_{OUT}/K$

Where :

- V_{SENSE} is voltage measurable on R_{SENSE} resistor
- I_{SENSE} is current provided from MultiSense pin in current output mode
- I_{OUT} is current flowing through output
- K factor represents the ratio between PowerMOS cells and SenseMOS cells; its spread includes geometric factor spread, current sense amplifier offset and process parameters spread of overall circuitry specifying ratio between I_{OUT} and I_{SENSE} .

Failure flag indication

In case of power limitation/overtemperature, the fault is indicated by the MultiSense pin which is switched to a “current limited” voltage source, V_{SENSEH} (see [Table 9](#)).

In any case, the current sourced by the MultiSense in this condition is limited to I_{SENSEH} (see [Table 9](#)).

The typical behavior in case of overload or hard short circuit is shown in [Figure 10](#), [Figure 11](#) and [Figure 12](#).

Figure 39. Analogue HSD – open-load detection in off-state

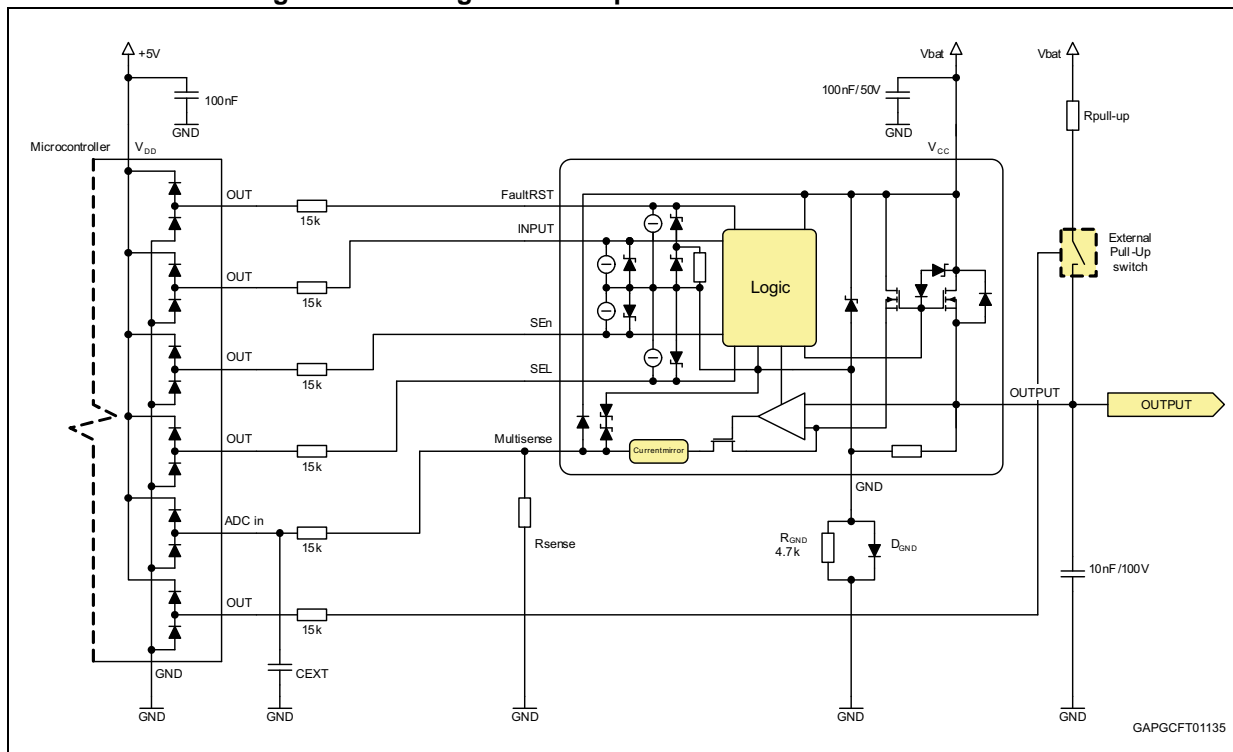


Figure 40. Open-load / short to V_{CC} condition

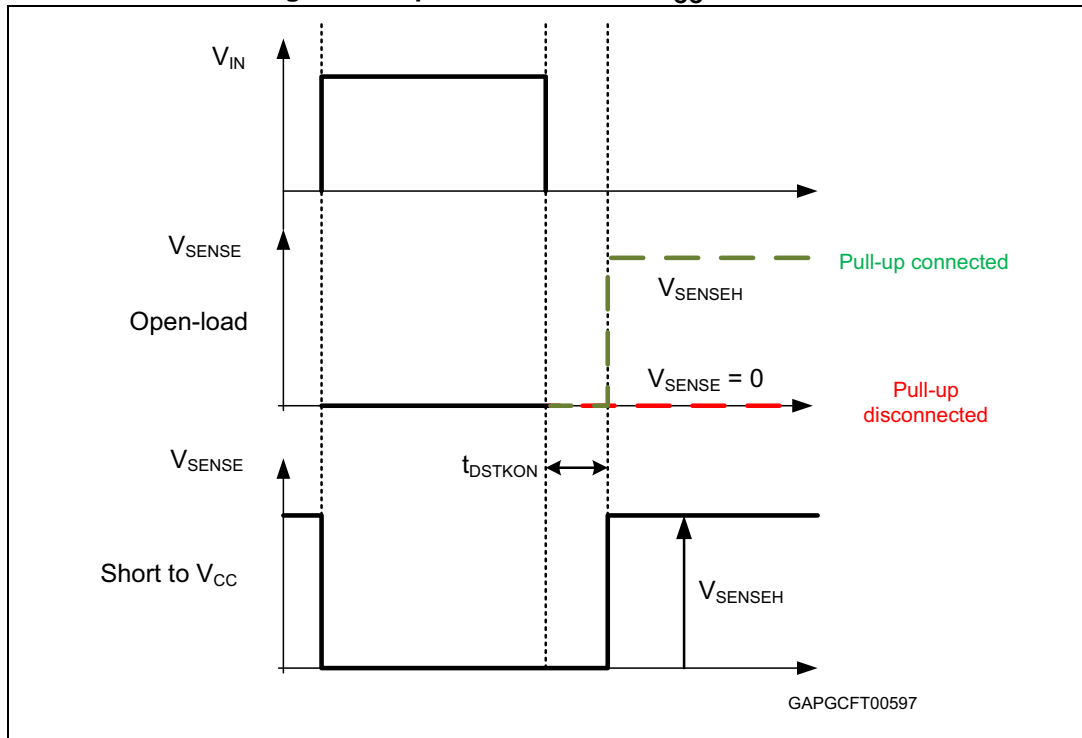


Table 13. MultiSense pin levels in off-state

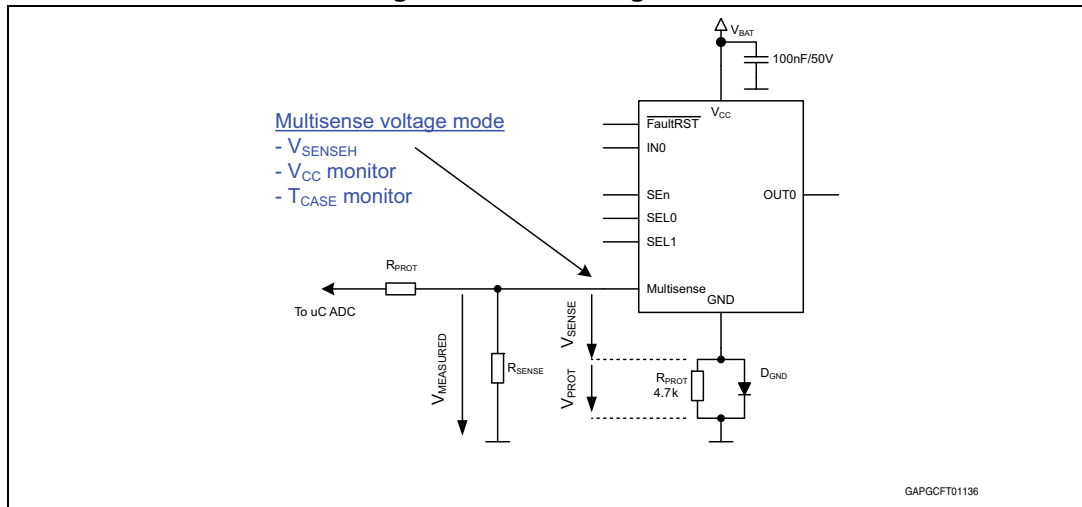
Condition	Output	MultiSense	SEn
Open-load	$V_{OUT} > V_{OL}$	Hi-Z	L
	$V_{OUT} < V_{OL}$	V_{SENSEH}	H
Short to V _{CC}	$V_{OUT} > V_{OL}$	Hi-Z	L
	$V_{OUT} < V_{OL}$	0	H
Nominal	$V_{OUT} > V_{OL}$	Hi-Z	L
	$V_{OUT} < V_{OL}$	0	H

4.4.2 T_{CASE} and V_{CC} monitor

In this case, MultiSense output operates in voltage mode and output level is referred to device GND. Care must be taken in case a GND network protection is used, because of a voltage shift is generated between device GND and the microcontroller input GND reference.

Figure 41 shows link between $V_{MEASURED}$ and real V_{SENSE} signal.

Figure 41. GND voltage shift



V_{CC} monitor

Battery monitoring channel provides $V_{SENSE} = V_{CC} / 4$.

Case temperature monitor

Case temperature monitor is capable to provide information about the actual device temperature. Since a diode is used for temperature sensing, the following equation describes the link between temperature and output V_{SENSE} level:

$$V_{SENSE_TC}(T) = V_{SENSE_TC}(T_0) + dV_{SENSE_TC} / dT * (T - T_0)$$

where $dV_{SENSE_TC} / dT \sim$ typically -5.5 mV/K (for temperature range $(-40^{\circ}\text{C}$ to $+150^{\circ}\text{C}$).

4.4.3 Short to V_{CC} and OFF-state open-load detection

Short to V_{CC}

A short circuit between V_{CC} and output is indicated by the relevant current sense pin set to V_{SENSEH} during the device off-state. Small or no current is delivered by the current sense during the on-state depending on the nature of the short circuit.

OFF-state open-load with external circuitry

Detection of an open-load in off mode requires an external pull-up resistor R_{PU} connecting the output to a positive supply voltage V_{PU} .

It is preferable V_{PU} to be switched off during the module standby mode in order to avoid the overall standby current consumption to increase in normal conditions, i.e. when load is connected.

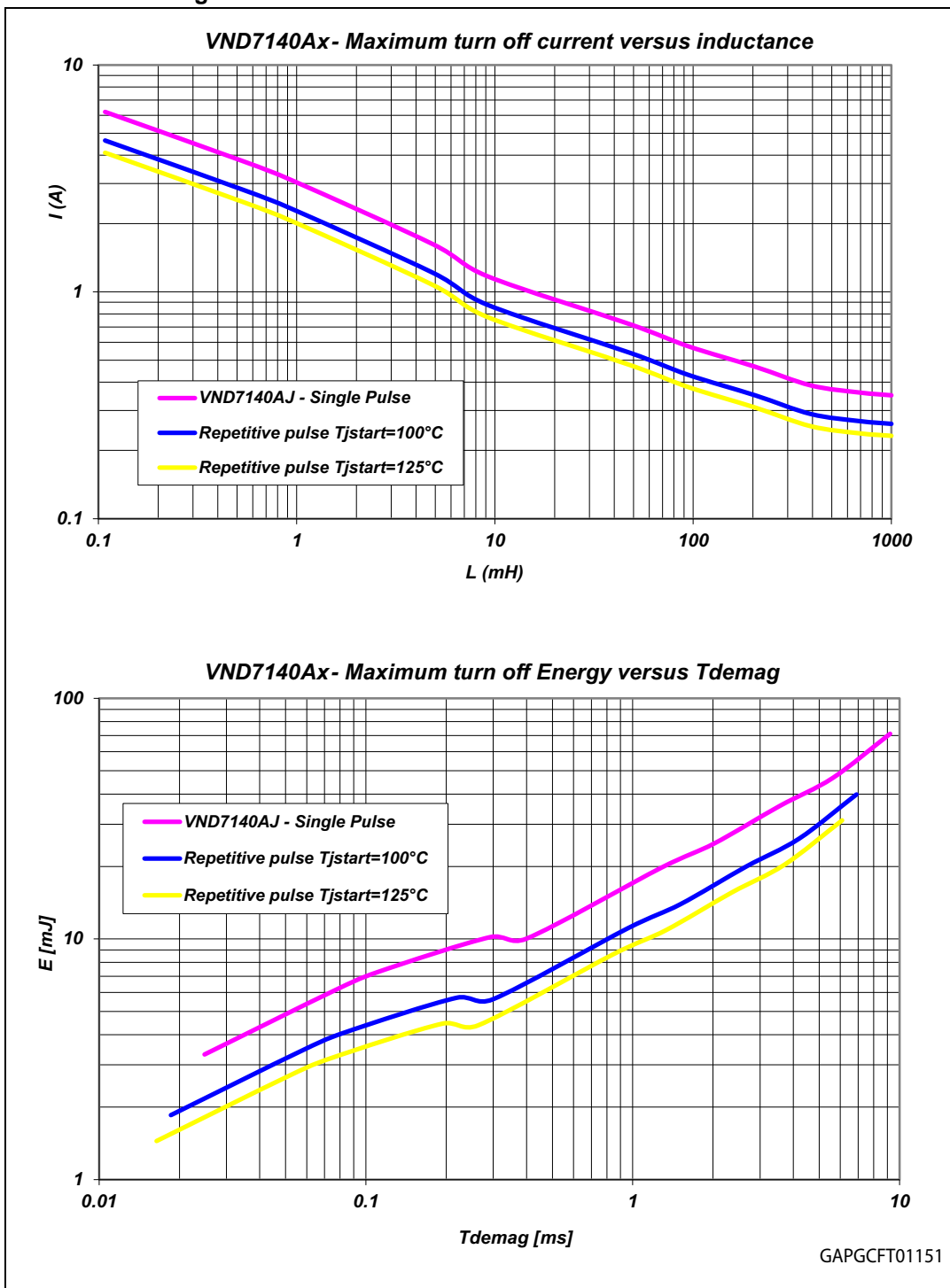
R_{PU} must be selected in order to ensure $V_{OUT} > V_{OLmax}$ in accordance with the following equation:

Equation 2

$$R_{PU} < \frac{V_{PU} - 4}{I_{L(off2)min} @ 4V}$$

4.5 Maximum demagnetization energy ($V_{CC} = 16\text{ V}$)

Figure 42. Maximum turn off current versus inductance



Note: Values are generated with $R_L = 0\ \Omega$.
 In case of repetitive pulses, T_{jstart} (at the beginning of each demagnetization) of every pulse must not exceed the temperature specified above for curves A and B.



5 Package and PCB thermal data

5.1 PowerSSO-16 thermal data

Figure 43. PowerSSO-16 on two-layers PCB (2s0p to JEDEC JESD 51-5)

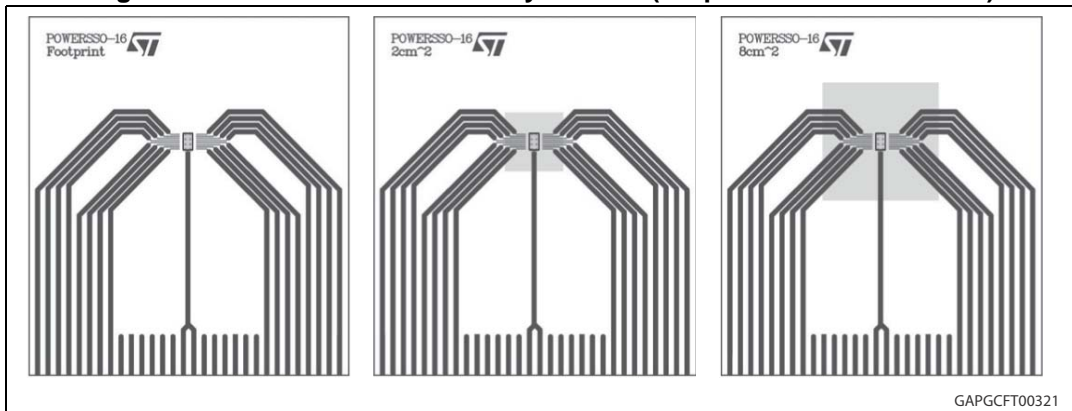


Figure 44. PowerSSO-16 on four-layers PCB (2s2p to JEDEC JESD 51-7)

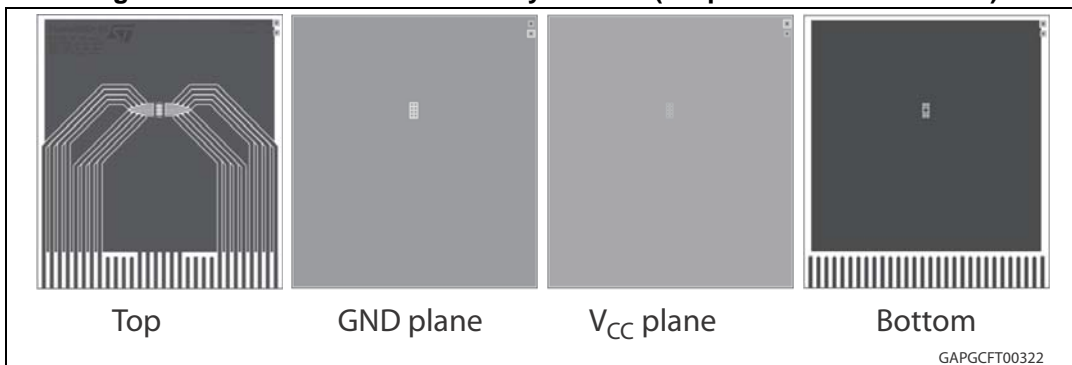


Table 14. PCB properties

Dimension	Value
Board finish thickness	1.6 mm +/- 10%
Board dimension	77 mm x 86 mm
Board Material	FR4
Copper thickness (top and bottom layers)	0.070 mm
Copper thickness (inner layers)	0.035 mm
Thermal vias separation	1.2 mm
Thermal via diameter	0.3 mm +/- 0.08 mm
Copper thickness on vias	0.025 mm
Footprint dimension (top layer)	2.2 mm x 3.9 mm
Heatsink copper area dimension (bottom layer)	Footprint, 2 cm ² or 8 cm ²

Figure 45. PowerSSO-16 $R_{thj-amb}$ vs PCB copper area in open box free air condition

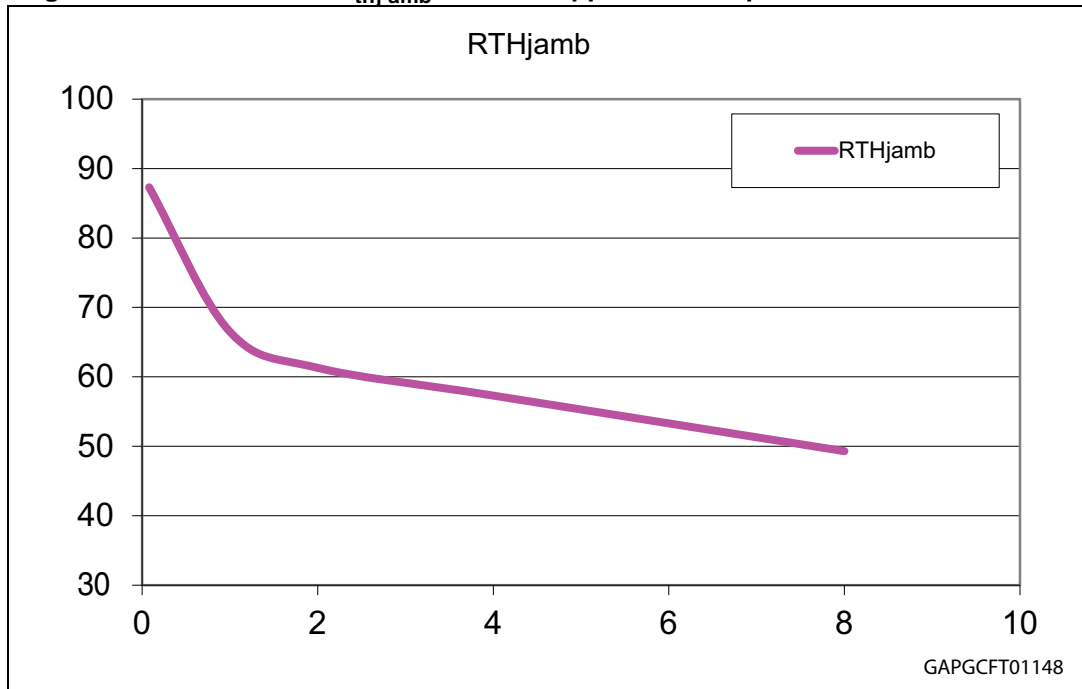
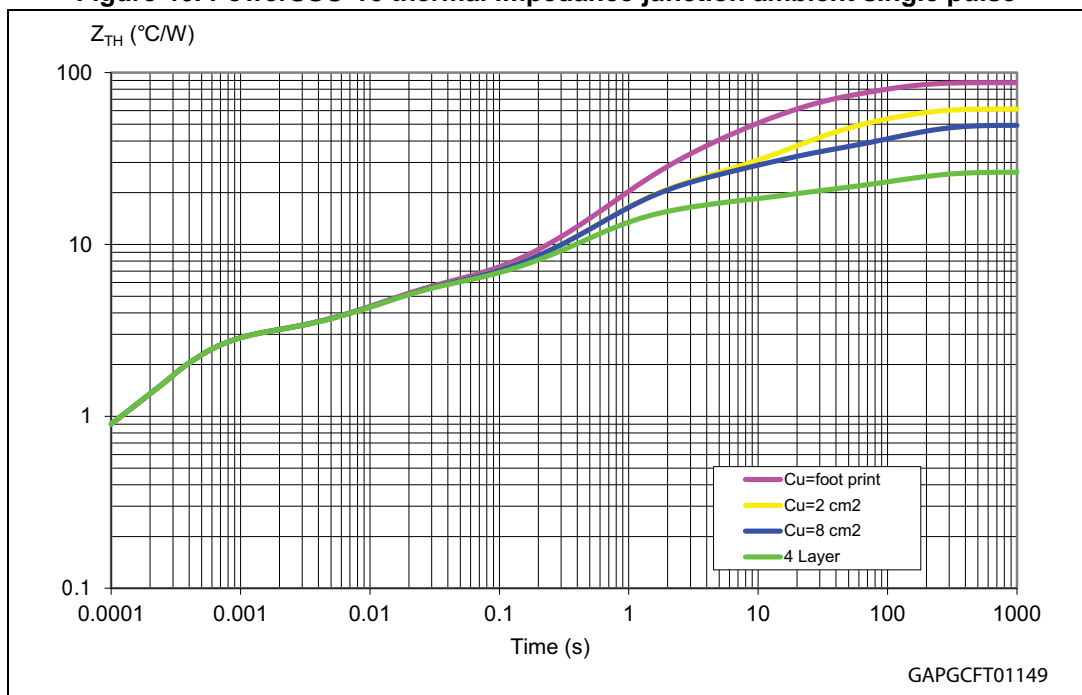


Figure 46. PowerSSO-16 thermal impedance junction ambient single pulse

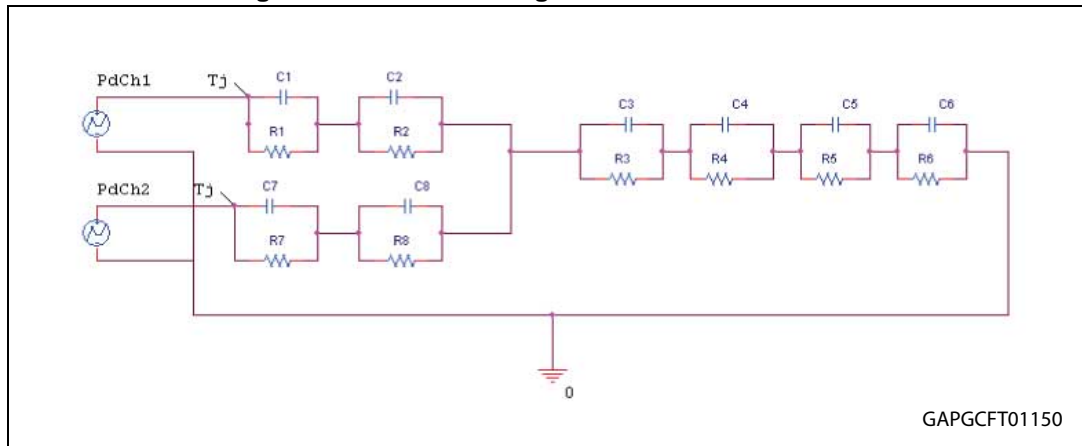


Equation 3: pulse calculation formula

$$Z_{TH\delta} = R_{TH} \cdot \delta + Z_{THtp}(1 - \delta)$$

where $\delta = t_p/T$

Figure 47. Thermal fitting model for PowerSSO-16



Note: The fitting model is a simplified thermal tool and is valid for transient evolutions where the embedded protections (power limitation or thermal cycling during thermal shutdown) are not triggered.

Table 15. Thermal parameters

Area/island (cm ²)	Footprint	2	8	4L
R1 = R7 (°C/W)	2.8			
R2 = R8 (°C/W)	2.5			
R3 (°C/W)	10	10	10	7
R4 (°C/W)	16	6	6	4
R5 (°C/W)	30	20	10	3
R6 (°C/W)	26	20	18	7
C1 = C7 (W.s/°C)	0.00012			
C2 = C8 (W.s/°C)	0.005			
C3 (W.s/°C)	0.07			
C4 (W.s/°C)	0.2	0.3	0.3	0.4
C5 (W.s/°C)	0.4	1	1	4
C6 (W.s/°C)	3	5	7	18

6 Package information

6.1 ECOPACK®

In order to meet environmental requirements, ST offers these devices in different grades of ECOPACK® packages, depending on their level of environmental compliance. ECOPACK® specifications, grade definitions and product status are available at: www.st.com.

ECOPACK® is an ST trademark.

6.2 PowerSSO-16 package information

Figure 48. PowerSSO-16 package dimensions

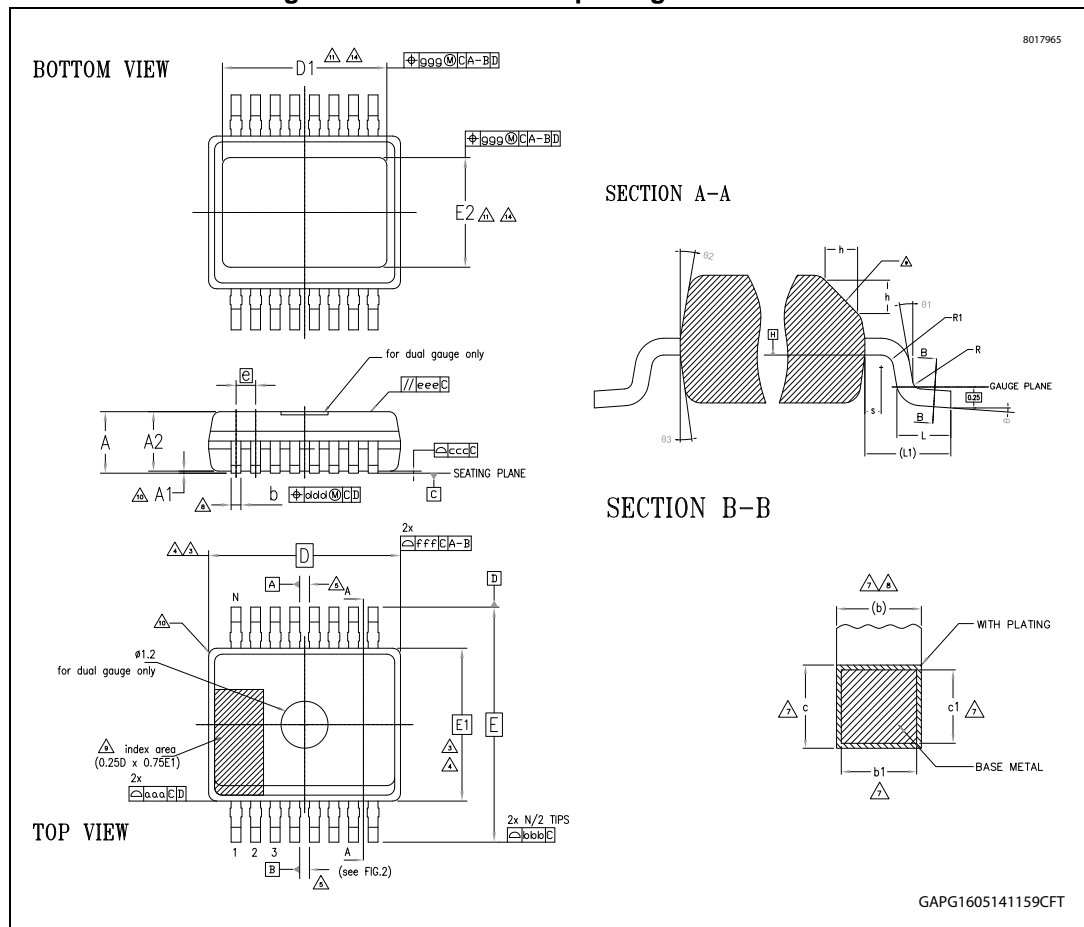


Table 16. PowerSSO-16 mechanical data

Symbol	Millimeters		
	Min.	Typ.	Max.
Θ	0°		8°
$\Theta 1$	0°		
$\Theta 2$	5°		15°
$\Theta 3$	5°		15°
A			1.70
A1	0.00		0.10
A2	1.10		1.60
b	0.20		0.30
b1	0.20	0.25	0.28
c	0.19		0.25
c1	0.19	0.20	0.23
D	4.90 BSC		
D1	3.60		4.20
e	0.50 BSC		
E	6.00 BSC		
E1	3.90 BSC		
E2	1.90		2.50
h	0.25		0.50
L	0.40	0.60	0.85
L1	1.00 REF		
N	16		
R	0.07		
R1	0.07		
S	0.20		
Tolerance of form and position			
aaa	0.10		
bbb	0.10		
ccc	0.08		
ddd	0.08		
eee	0.10		
fff	0.10		
ggg	0.15		

7 Order codes

Table 17. Device summary

Package	Order codes	
	Tube	Tape and reel
PowerSSO-16	VND7140AJ-E	VND7140AJTR-E

8 Revision history

Table 18. Revision history

Date	Revision	Changes
24-Oct-2011	1	Initial release
17-Oct-2012	2	<p>Updated Features list.</p> <p>Updated following tables:</p> <p>Table 1: Pin functions</p> <p>Table :</p> <p>Table 3: Absolute maximum ratings:</p> <ul style="list-style-type: none"> – V_{CCPK}, V_{CCJS}: added rows – I_{SENSE}, E_{MAX}: updated parameter description and value – V_{CC}, $-I_{OUT}$, V_{ESD}: updated values <p>Table 4: Thermal data</p> <p>Table 5: Power section</p> <ul style="list-style-type: none"> – $V_{USDRreset}$, $I_{GDN(ON)}$: added row – R_{ON}, V_{clamp}, t_{D_STBY}: updated values – V_F: updated test conditions <p>Table 6: Switching ($V_{CC} = 13\text{ V}$; $-40^\circ\text{C} < T_j < 150^\circ\text{C}$, unless otherwise specified)</p> <p>Table 7: Logic Inputs ($7\text{ V} < V_{CC} < 28\text{ V}$; $-40^\circ\text{C} < T_j < 150^\circ\text{C}$):</p> <ul style="list-style-type: none"> – V_{ICL}, V_{SELCL}, V_{SENCL}: updated maximum value <p>Table 8: Protections ($7\text{ V} < V_{CC} < 18\text{ V}$; $-40^\circ\text{C} < T_j < 150^\circ\text{C}$)</p> <ul style="list-style-type: none"> – I_{LIMH}: added note and updated values – T_R: added note – V_{ON}: updated test condition – t_{LATH_RST}, V_{DEMAG}: updated values <p>Table 9: MultiSense ($7\text{ V} < V_{CC} < 18\text{ V}$; $-40^\circ\text{C} < T_j < 150^\circ\text{C}$)</p> <ul style="list-style-type: none"> – V_{SENSE_CL}, K_{OL}, K_{LED}, K_0, K_1, K_2, K_3, I_{SENSE0}, $I_{L(off2)}$, t_{DSTKON}, t_{D_OL}, V_{SENSE_TC}, V_{SENSE_VCC}, V_{SENSEH}, I_{SENSEH}, $t_{DSSENSE1H}$: updated values – dK_{LED}/K_{LED}, dK_0/K_0, dK_1/K_1, dK_2/K_2, dK_3/K_3: added note – V_{OUT_MSD}, V_{SENSE_SAT}, I_{SENSE_SAT}, I_{OUT_SAT}, $t_{D_OL_V}$: added row – $t_{DSSENSE1L}$, $t_{DSSENSE2H}$, $\Delta t_{DSSENSE2H}$, $t_{DSSENSE2L}$, $t_{DSSENSE3H}$, $t_{DSSENSE3L}$, $t_{DSSENSE4H}$, $t_{DSSENSE4L}$, t_{D_XtoY}, $t_{D_CS\to TC}$, $t_{D_TC\to CS}$, $t_{D_CS\to VCC}$, $t_{D_VCC\to CS}$, $t_{D_TC\to VCC}$, $t_{D_VCC\to TC}$, $t_{D_CS\to VSENSEH}$: updated test conditions <p>Updated Figure 6: Switching times and Pulse skew</p> <p>Removed Pulse skew</p> <p>Added Figure 9: TDSTKON</p> <p>Table 10: Truth table:</p> <ul style="list-style-type: none"> – Updated overload conditions <p>Table 11: MultiSense multiplexer addressing:</p> <ul style="list-style-type: none"> – Added note <p>Updated Section 2.4: Waveforms</p> <p>Added Chapter 3: Protections and Chapter 4: Application information</p>

Table 18. Revision history (continued)

Date	Revision	Changes
11-Feb-2013	3	<p>Updated Table 3 : and Table 4: Thermal data Table 6: Switching (VCC = 13 V; -40°C < Tj < 150°C, unless otherwise specified): – t_{SKREW}: updated values Table 9: MultiSense (7 V < VCC < 18 V; -40°C < Tj < 150°C): – dK_{cal}/K_{cal}: added row – K_{LED}, K₀, K₃: updated values – V_{SENSE_TC}: updated test conditions and values – V_{SENSE_VCC}: updated test conditions Table 11: MultiSense multiplexer addressing – updated negative output values Removed following tables: Table: Electrical transient requirements (part 1/3) Table: Electrical transient requirements (part 2/3) Table: Electrical transient requirements (part 3/3) Updated Section 3.2: Thermal shutdown, Section 3.4: Negative voltage clamp and Section 4.1.1: Diode (DGND) in the ground line Removed Section: Load dump protection Added Section 4.2: Immunity against transient electrical disturbances Updated Figure 39: Analogue HSD – open-load detection in off-state Updated Table 13: MultiSense pin levels in off-state Updated Figure 41: GND voltage shift Added Section 4.5: Maximum demagnetization energy (VCC = 16 V) Updated Chapter 5: Package and PCB thermal data</p>
28-Mar-2013	4	<p>Table 3: Absolute maximum ratings: – V_{CCEPK}: updated parameter – I_{OUT}, I_{SENSE}: updated value – E_{MAX}: updated parameter and value Table 4: Thermal data: – R_{thj-board}: updated value Table 6: Switching (VCC = 13 V; -40°C < Tj < 150°C, unless otherwise specified): – (dV_{OUT}/dt)_{on}, (dV_{OUT}/dt)_{off}, W_{ON}, t_{SKREW}: updated values Table 9: MultiSense (7 V < VCC < 18 V; -40°C < Tj < 150°C): – K_{OL}, K_{LED}, K₀, K₁: updated values Added Figure 4: IOU/ISENSE versus IOU and Figure 5: Current sense accuracy versus IOU Added Section 2.5: Electrical characteristics curves Updated Figure 42: Maximum turn off current versus inductance Updated Section 6.2: PowerSSO-16 package information</p>
16-Apr-2013	5	<p>Table 9: MultiSense (7 V < VCC < 18 V; -40°C < Tj < 150°C): – K_{OL}, K_{LED}: updated values Updated Figure 4: IOU/ISENSE versus IOU and Figure 5: Current sense accuracy versus IOU</p>
22-Sep-2013	6	Updated Disclaimer.

Table 18. Revision history (continued)

Date	Revision	Changes
11-Oct-2013	7	<i>Table 5: Power section:</i> – t_{D_STBY} : updated unit value Updated <i>Figure 42: Maximum turn off current versus inductance</i>
09-Jun-2014	8	Updated <i>Section 6.2: PowerSSO-16 package information</i>
09-Oct-2014	9	Updated <i>Table 16: PowerSSO-16 mechanical data</i>

IMPORTANT NOTICE – PLEASE READ CAREFULLY

STMicroelectronics NV and its subsidiaries ("ST") reserve the right to make changes, corrections, enhancements, modifications, and improvements to ST products and/or to this document at any time without notice. Purchasers should obtain the latest relevant information on ST products before placing orders. ST products are sold pursuant to ST's terms and conditions of sale in place at the time of order acknowledgement.

Purchasers are solely responsible for the choice, selection, and use of ST products and ST assumes no liability for application assistance or the design of Purchasers' products.

No license, express or implied, to any intellectual property right is granted by ST herein.

Resale of ST products with provisions different from the information set forth herein shall void any warranty granted by ST for such product.

ST and the ST logo are trademarks of ST. All other product or service names are the property of their respective owners.

Information in this document supersedes and replaces information previously supplied in any prior versions of this document.

© 2014 STMicroelectronics – All rights reserved