

# Tower Lights & Beacons

Catalog  
2011





# Contents

*Harmony Tower Lights and Beacons provide long-distance indication of the operation status or sequences of machines using lights and buzzers.*

Selection Guide .....	4
-----------------------	---

## Harmony® XVB Tower Lights and Beacons

*The best selection of customer-assembled modular 70 millimeter diameter indicators. No tools are required when assembling stacking units.*

Introduction .....	6
Specifications .....	8
Catalog Numbers .....	10
Dimensions .....	14
Installation .....	15

## Harmony® XVP Tower Lights

*50 millimeter diameter customer-assembled indicators with similar construction and features of the XVB in a compact size.*

Introduction .....	16
Specifications .....	18
Catalog Numbers .....	19
Dimensions, Installation .....	22

## Harmony® XVE Tower Lights and Beacons

*Bright visual indication in a 70mm diameter cost-effective product. Each stackable light or buzzer segment includes a screw for customer assembly.*

Introduction .....	24
Specifications .....	26
Catalog Numbers .....	27
Dimensions, Mounting, Connection, Installation .....	30

## Harmony® XVC Tower Lights

*Available in 1 to 5 LED colored light segments with or without integrated buzzers in 40, 60, and 100mm diameters. Save installation time and money with the pre-wired, color coded, one-piece construction which eliminates the need to select and wire individual components.*

Introduction, Description .....	32
Specifications .....	33
Catalog Numbers .....	35
Dimensions .....	38

## Harmony® XVR Rotating Mirror Beacons

*Eye-catching indicators with long-life Red, Orange, Green, or Blue LEDs in different diameter sizes. Ideal for use with conveyors, forklifts, and electrical control panels.*

Introduction, Specifications .....	41
Catalog Numbers .....	42
Dimensions .....	43

## Harmony® XVS Sirens and Electronic Alarms

*XVS Sirens include up to 43 selectable tones with volume control up to 105 decibels. XVS Electronic Alarms include 16 selectable tones or melodies with four inputs and volume control up to 90 decibels.*

Introduction, Specifications .....	45
Catalog Numbers, Dimensions .....	46

Index of Catalog Numbers .....	48
--------------------------------	----

# Selection Guide



Type of Product	Beacon	Tower Lights		Tower Lights & Beacons
Family	XVBL	XVBC	XVP	XVE
Diameter	70 mm	70 mm	50 mm	70 mm
Features	Product for customer configuration and assembly			
Approvals	UL File E164353		CCN NKCR	
Conforming to Standards	CSA File LR 44087 Class 3211 03			
Degree of Protection	IP65		IP42	
Light Source	LED or Incandescent			
Electrical Consumption				
LED Steady	24 Vac/dc: <30 mA	24 Vac/dc: <80 mA	24 Vac/dc: <25 mA	
LED Flashing with Buzzer	120-230 Vac: <30 mA	120-230 Vac: <30 mA	120-230 Vac: <25 mA	
Strobe (Energized)	24 Vac/dc: <40 mA	24 Vac/dc: <40 mA	24 Vac/dc: <30 mA	
Audible Sounders	120-230 Vac: <15 mA	120-230 Vac: <15 mA	120-230 Vac: <25 mA	
Connection Type	Screw Clamp			
Cable Size	24 Vdc: 5 Joules unit <430 mA; 10 J unit; <850 mA		24 Vdc: <= 40 mA	
Torque Value for Wiring Terminals	120 Vac: 5 Joules unit <130 mA; 10 J unit; <260 mA		120 Vac: <= 20 mA	
Page	230 Vac: 5 Joules unit <105 mA; 10 J unit; <210 mA		230 Vac: <= 11 mA	
	12-48 Vac/dc: <20 mA		24 Vdc: <= 15 mA	
	120-230 Vac: <50 mA		120 Vac: <= 15 mA	
	—		230 Vac: <= 12 mA	
	—		—	
	Screw Clamp			
	1 x 16 AWG (1.5 mm²) With Cable End		2 x 16 AWG (1.5 mm²) With Cable End	
	4.4 lb-in (0.5 N-m)			
	6	6	16	24



Type of Product	Tower Lights			Rotating Mirror Beacons	Sirens & Alarms
Family	XVC 4	XVC 6	XVC 1	XVR	XVS
Diameter	40 mm	60 mm	100 mm	84/106/120/130 mm	—
Features	All devices are pre-assembled and pre-wired			All devices are pre-assembled and pre-wired. XVR12**S includes buzzer: 70 to 90 decibels.	Adjustable Tones XVS14BMW, 0 to 105 db, 43 Tones XVS73BM**, 0 to 90 db, 16 Tones
Approvals	UL Recognized E164353 CCN NKCR CSA LR44087 Class 3211-03			UL Recognized E164353 CCN NKCR CSA LR44087 Class 3211-03	UL Recognized E164353 CCN UCST CSA LR44087 Class 3211-03
Conforming to Standards	CE Marked EN61000-6-2 EN61000-6-3 — UL 508 CSA 22.2 No 14 IP54	CE Marked EN61000-6-2 EN61000-6-3 EN61000-6-4 UL 508 CSA 22.2 No 14 IP54	CE Marked EN61000-6-2 EN61000-6-3 — UL 508 CSA 22.2 No 14 IP23/IP65/IP66	CE Marked EN61000-6-2 EN61000-6-3 — UL 508 CSA 22.2 No 14 IP53	
Light Source	LED				—
Electrical Consumption LED Steady	1 Unit = 40 mA; 2 Unit = 80 mA; 3 Unit = 120 mA; 4 Unit = 160 mA; 5 Unit = 200 mA;	24 V; 1 Unit = 100 mA; 2 Unit = 200 mA; 3 Unit = 300 mA; 4 Unit = 400 mA; 5 Unit = 500 mA;	XVR08, XVR10, XVR12, and XVR13 (without buzzer) 12 Vac/dc: 360 mA 24 Vac/dc: 230 mA	—	
with Buzzer	—	24 V; 1 Unit = 150 mA; 2 Unit = 250 mA; 3 Unit = 350 mA; 4 Unit = 450 mA; 5 Unit = 550 mA;	XVR12 with buzzer: 12 Vac/dc: 400 mA 24 Vac/dc: 230 mA	—	
Audible Sounders	—	—	—	XVS72BM 12 Vdc: 350 mA 24 Vdc: 400 mA	
	—	—	—	XVS72BM 12 Vdc: 280 mA 24 Vdc: 190 mA	
Connection Type	—			Pre-wired	XVS14BMW Pre-wired, Color coded wires XVS72BM** Not Pre-wired
Cable Size	22 AWG (0.33 mm <sup>2</sup> )			18 AWG (0.75 mm <sup>2</sup> )	—
Page	32	32	32	41	45



Harmony XVB tower lights and beacons are visual or audible signaling units used for indicating (with 360° visibility and visible at a distance) the various states of operation for a device or installation. Examples include: start, stop machine, no material, call technical staff, and fault signaling.

### Illuminated Beacon

#### Complete Product XVBL

Ready assembled with a single illuminated signaling unit:

- Steady light (with incandescent bulb or LED),
- Flashing light (with incandescent bulb or LED),
- "Flash" (with discharge tube).

The **XVBL** beacon includes:

- A base unit with a removable terminal block and bottom or side cable entry.
- One colored illuminated unit (green, red, orange, blue, clear, or yellow).

### Tower Lights

#### Customer Assembled Product XVBC

Variable assembly of one to five illuminated or audible units which are supplied as separate items (not pre-assembled). Maximum configuration: five units or four units + one "flash" unit.

The **XVBC** tower lights include:

- A base unit with a removable terminal block and bottom or side cable entry (2).
- One to five colored illuminated units (green, red, orange, blue, clear, or yellow):
  - with integral LED (3),
  - with integral LED and diffuser (4),
  - for incandescent bulbs or base mounted LEDs (5).
- One or two audible units (6).
- A maximum of one "flash" discharge unit (5 Joule or 10 Joule) (7), for mounting on top of the bank.
- A top cover (8) (except when using a "flash" discharge tube).
- The illuminated or audible units stack vertically and are easily locked and unlocked using an integral clamping ring. Electrical connections between each unit are automatically connected.
- A light diffuser, pre-fitted in illuminated units (XVBC2B•D), with a base mounted LED, distributes the light evenly over the lens surface. When using the indicator banks in bright ambient light conditions, remove the diffuser to improve contrast.

### Accessories

#### For Beacons XVBL and Indicator Banks XVBC

- Mounting base comprised of a support tube glued into a plastic mounting plate, to provide a height beneath the base unit of 80, 380 or 780 mm (3.14, 15, or 30.71 in) (9).
- Mounting plate for mounting on a vertical support (10).
- Support tube concealment cover, height of 100, 400, or 800 mm (3.94, 15.75, or 31.5 in) (11).
- Colored markers (12).
- Legend holder with legend (13).
- Legends that attach to the locking ring of each signaling unit for identification (14).
- Adaptor and cable gland (15).
- Base mounted LED (16) or incandescent bulb (17).
- Diffuser (18) <sup>(1)</sup>.

### Installation

#### Mounting

- Base unit fixed directly onto panel using 2 screws.
- Fixed using a mounting base comprised of an aluminum support tube glued into a plastic mounting plate.

#### Cabling

- Through a removable terminal block incorporated in the base unit (simplified wiring).

(1) The diffuser can only be used with LED illuminated units. Not compatible with units fitted with an incandescent bulb or "flash" discharge tube.

# Tower Lights and Beacons

70 mm Diameter

Harmony® XVB

Environment Specifications		
<b>Product Certifications</b>	Standard version	CSA C22-2 n°14, UL 508, CCC, GOST
<b>Conformity to Standards</b>		EN/IEC 60947-5-1
<b>Protective Treatment</b>	Standard version Conforming to UTE C63-100	"TC"
<b>Ambient Air Temperature</b>	For storage	°C (F) - 40...+ 70 (-40...+158)
	For operation <sup>(1)</sup>	°C (F) <b>Illuminated units with steady light signaling:</b> - 25...+ 70 (-13...+158), with 7 W incandescent bulb - 25...+ 50 (-13...+122), with LED
		°C (F) <b>Illuminated units with flashing light signaling:</b> - 25...+ 50 (-13...+122), with 7 W incandescent bulb - 25...+ 50 (-13...+122), with LED
		°C (F) <b>Illuminated units with "flash" discharge tube:</b> - 25...+ 50 (-13...+122)
<b>Electric Shock Protection</b> conforming to IEC 61140	Mounted on support tube	Class I
	Mounted on base unit	Class II
<b>Degree of Protection</b>	Conforming to IEC 60529	IP 65 (mounted on mounting base XVBZ0●) IP 66 (mounted directly on base unit)
	Conforming to UL 508	Type 4X NEMA "Indoor"
<b>Material</b>	Illuminated units	Polycarbonate
	Base unit and cover	Glass-reinforced polyamide and polycarbonate
	Support tube	Painted aluminum
	Mounting plate for use on vertical support	Zamak
	Mounting plate for use on horizontal support	Polyamide 66
	Support tube concealment cover	ABS

(1) WARNING: RISK OF OVERHEATING:

- Illuminated units with incandescent bulbs must not be combined with LED illuminated units, due to the risk of overheating.
- When different units (steady or flashing) are combined, the maximum temperature is limited to that of the weaker unit.



# Tower Lights and Beacons

## 70 mm Diameter

### Harmony® XVB

Electrical Specifications			
<b>Rated Insulation Voltage (Ui)</b>	Conforming to EN/IEC 60947-1	<b>V</b>	250
<b>Voltage Limits</b>	Conforming to EN/IEC 60947-5-1	<b>V</b>	0.85 to 1.10 Un (Un: nominal voltage)
<b>Consumption</b>	LED units	<b>mA</b>	<b>Steady light signaling:</b> 24 Vac/dc: < 47 120 Vac: < 17 230 Vac: < 17
		<b>mA</b>	<b>Strobe light signaling:</b> 24 Vac/dc: < 47 120 Vac: < 17 230 Vac: < 17
	Units with discharge tube <sup>(1)</sup>	<b>mA</b>	<b>Strobe light signaling:</b> 24 Vdc: 5 J unit: < 430; 10 J unit: < 850 120 Vac: 5 J unit: < 130; 10 J unit: < 260 230 Vac: 5 J unit: < 105; 10 J unit: < 210
	Audible units	<b>mA</b>	12...48 Vac/dc: < 20 120...230 Vac: < 50
<b>Rated Impulse Withstand Voltage</b>	Conforming to EN/IEC 60947-1	<b>kV</b>	Uimp = 4
<b>Light Source</b>	Illuminated units with steady or flashing light signaling		LEDs: degree of pollution 2 Bulbs with BA 15d base fitting, maximum power 7 W
<b>Illuminating Power</b>	Units with discharge tube	<b>cds</b>	13 (integral high intensity tube) with clear lens unit: 5 J tube 26 (integral high intensity tube) with clear lens unit: 10 J tube
<b>Audible Unit</b>	Continuous or intermittent tone	<b>dB</b>	90 at 1 m
	Fundamental frequency	<b>kHz</b>	2.8
<b>Terminal Referencing</b>			1 terminal referenced "C" common to all 5 units
			1 or 5 terminals referenced 1 to 5, depending on number of units
<b>Connection</b>	Maximum clamping capacity on protected, ready-to-tighten, screw and captive cable clamp terminals	<b>mm<sup>2</sup></b>	1 x 1.5 with cable end 2 x 16 AWG
<b>Torque Value for Wiring Terminals</b>		<b>lb-in (N-m)</b>	4.4 (0.5)
<b>Frequency of Illuminated Units</b>	Illuminated units with flashing light signaling	<b>Hz</b>	1
	Illuminated units with discharge tube	<b>Hz</b>	1

(1) **WARNING RISK OF OVERHEATING:** Illuminated units with a "flash" discharge tube are not suitable for steady light signaling.

# Tower Lights and Beacons

70 mm Diameter

Harmony® XVBL



XVBL3●



XVBL4B●



XVBL8B●

### Beacons with Steady Light Signaling

Description	Light source (ordered separately)	Color	Catalog Number	Weight kg (lb)
<b>Complete Unit Includes:</b> - 1 lens unit - 1 base unit (direct or tube mounting)	Bulb (10 W max.) not included 250 V max.	Green	<b>XVBL33</b>	0.260 (0.57)
		Red	<b>XVBL34</b>	0.260 (0.57)
		Orange	<b>XVBL35</b>	0.260 (0.57)
		Blue	<b>XVBL36</b>	0.260 (0.57)
		Clear	<b>XVBL37</b>	0.260 (0.57)
		Yellow	<b>XVBL38</b>	0.260 (0.57)

### Beacons with Integral Flashing Light Signaling

Description	Light Source (1) (ordered separately)	Color	Catalog Number	Weight kg (lb)
<b>Complete Unit Includes:</b> - 1 lens unit - 1 base unit (direct or tube mounting)	Incandescent bulb 7 W max. 24 Vac 24...48 Vdc	Green	<b>XVBL4B3</b>	0.280 (0.62)
		Red	<b>XVBL4B4</b>	0.280 (0.62)
		Orange	<b>XVBL4B5</b>	0.280 (0.62)
		Blue	<b>XVBL4B6</b>	0.280 (0.62)
		Clear	<b>XVBL4B7</b>	0.280 (0.62)
		Yellow	<b>XVBL4B8</b>	0.280 (0.62)

(1) Incandescent bulbs and LEDs, see page 13.

### Beacons with 10 Joule "Strobe" Discharge Tube

Description	Light Source	Color	Catalog Number	Weight kg (lb)	
<b>Complete Unit Includes:</b> - 1 illuminated unit - 1 base unit (direct or tube mounting)	Integral "strobe" discharge tube 24 Vac/dc	Green	<b>XVBL8B3</b>	0.450 (0.99)	
		Red	<b>XVBL8B4</b>	0.450 (0.99)	
		Orange	<b>XVBL8B5</b>	0.450 (0.99)	
		Blue	<b>XVBL8B6</b>	0.450 (0.99)	
		Clear	<b>XVBL8B7</b>	0.450 (0.99)	
		Yellow	<b>XVBL8B8</b>	0.450 (0.99)	
		Integral "strobe" discharge tube 120 Vac	Green	<b>XVBL8G3</b>	0.460 (1.01)
			Red	<b>XVBL8G4</b>	0.460 (1.01)
	Orange		<b>XVBL8G5</b>	0.460 (1.01)	
	Blue		<b>XVBL8G6</b>	0.460 (1.01)	
	Clear		<b>XVBL8G7</b>	0.460 (1.01)	
	Yellow		<b>XVBL8G8</b>	0.460 (1.01)	

# Tower Lights and Beacons

70 mm Diameter

Harmony® XVBC



XVBC3●



XVBC4●●



XVBC8●●

### Lens Units with Steady Light Signaling

Description	Light Source (ordered separately)	Color	Catalog Number	Weight kg (lb)
Illuminated Units	Bulb (10 W max.) not included 250 Vac max	Green	<b>XVBC33</b>	0.140 (0.31)
		Red	<b>XVBC34</b>	0.140 (0.31)
		Orange	<b>XVBC35</b>	0.140 (0.31)
		Blue	<b>XVBC36</b>	0.140 (0.31)
		Clear	<b>XVBC37</b>	0.140 (0.31)
		Yellow	<b>XVBC38</b>	0.140 (0.31)

Description	Light Source (1) (ordered separately)	Color	Catalog Number	Weight kg (lb)	
Illuminated Units	Incandescent bulb 7 W max. 24 Vac 24...48 Vdc or LED	Green	<b>XVBC4B3</b>	0.160 (0.35)	
		Red	<b>XVBC4B4</b>	0.160 (0.35)	
		Orange	<b>XVBC4B5</b>	0.160 (0.35)	
		Blue	<b>XVBC4B6</b>	0.160 (0.35)	
		Clear	<b>XVBC4B7</b>	0.160 (0.35)	
		Yellow	<b>XVBC4B8</b>	0.160 (0.35)	
		Incandescent bulb 7 W max. 48...230 Vac or LED	Green	<b>XVBC4M3</b>	0.160 (0.35)
			Red	<b>XVBC4M4</b>	0.160 (0.35)
	Orange		<b>XVBC4M5</b>	0.160 (0.35)	
	Blue		<b>XVBC4M6</b>	0.160 (0.35)	
	Clear		<b>XVBC4M7</b>	0.160 (0.35)	
	Yellow		<b>XVBC4M8</b>	0.160 (0.35)	

(1) Incandescent bulbs and LEDs, see page 13.

### Lens Units with 10 Joule "Strobe" Discharge Tube

Description	Light source	Color	Catalog Number	Weight kg (lb)	
Illuminated Units	Integral "strobe" discharge tube 24 Vdc	Green	<b>XVBC8B3</b>	0.305 (0.67)	
		Red	<b>XVBC8B4</b>	0.305 (0.67)	
		Orange	<b>XVBC8B5</b>	0.305 (0.67)	
		Blue	<b>XVBC8B6</b>	0.305 (0.67)	
		Clear	<b>XVBC8B7</b>	0.305 (0.67)	
		Yellow	<b>XVBC8B8</b>	0.305 (0.67)	
		Integral "strobe" discharge tube 120 Vac	Green	<b>XVBC8G3</b>	0.315 (0.69)
			Red	<b>XVBC8G4</b>	0.315 (0.69)
	Orange		<b>XVBC8G5</b>	0.315 (0.69)	
	Blue		<b>XVBC8G6</b>	0.315 (0.69)	
	Clear		<b>XVBC8G7</b>	0.315 (0.69)	
	Yellow		<b>XVBC8G8</b>	0.315 (0.69)	

# Tower Lights and Beacons

70 mm Diameter

Harmony® XVBC (customer assembly, up to 5 units)

Indicator Banks (audible units, base units, cover, and accessories)



XVBC9●

Audible Units			
Description	Specifications	Catalog Number	Weight kg (lb)
<b>Buzzer, 90 dB at 1 m</b> Adjustable: - 70 or 90 dB - Continuous or intermittent tone using microswitch	12...48 Vdc	<b>XVBC9B</b>	0.170 (0.37)
	120...230 Vac	<b>XVBC9M</b>	0.180 (0.40)

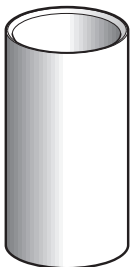
Base Units (for direct or tube mounting)			
Description	For use with	Catalog Number	Weight t kg (lb)
<b>Base Unit + Cover</b> with Bottom or Side Cable Entry	Banks without "flash" discharge tube unit (includes gasket)	<b>XVBC21</b>	0.190 (0.42)

Accessories			
Description	Application	Catalog Number	Weightt kg (lb)
<b>Cover only</b>	For use with XVBC2, XVBC3, XVBC4, XVBC5 and XVBC9	<b>XVBC081</b>	0.030 (0.07)
<b>Set of 6 Colored Markers</b>	Identification of the unit position if the bank is dismantled	<b>XVBC22</b>	0.001 (0.002)
<b>Set of 5 Legend Holders</b>	Identification of stacked units on the base unit	<b>XVBC23</b>	0.002 (0.004)
<b>Adaptor for Side Entry through Base Unit</b>	With 13P cable gland	<b>XVBC14</b>	0.015 (0.03)



XVBZ02

XVBZ03/Z04



XVBC020



XVBC12



DL1B●●



DL1BD●●/DL1BK●●

### Accessories (continued)

Description	Height Under Base Unit mm (in)	Color	Catalog Number	Weight kg (lb)
Mounting Tube (Tube with plastic mounting base)	80 (3.15)	Black aluminum	XVBZ02	0.110 (0.24)
		Aluminum	XVBZ02A	0.110 (0.24)
	380 (14.96)	Black aluminum	XVBZ03	0.200 (0.44)
		Aluminum	XVBZ03A	0.200 (0.44)
	780 (30.71)	Black aluminum	XVBZ04	0.325 (0.72)
		Aluminum	XVBZ04A	0.325 (0.72)

Description	For use with	Material	Catalog Number	Weight kg (lb)
Mounting Tube Concealmnt Cover	XVBZ02, XVBZ02A	ABS	XVBC020	0.080 (0.18)
	XVBZ03, XVBZ03A	ABS	XVBC030	0.305 (0.67)
	XVBZ04, XVBZ04A	ABS	XVBC040	0.610 (1.34)
Wall Mount Bracket	Base unit (direct mounting), mounting plate XVB Z01, or mounting bases XVBZ0●	Zamak	XVBC12	0.380 (0.84)

Description	Specifications	Sold in lots of	Catalog Number	Weight kg (lb)
Incandescent Bulbs BA 15d Base Fitting	12 V 7 W	10	DL1BEJ	0.090 (0.20)
	24 V 6.5 W	10	DL1BEB	0.090 (0.20)
	48 V 6 W	10	DL1BEE	0.090 (0.20)
	120 V 7 W	10	DL1BEG	0.090 (0.20)
	230 V 7 W	10	DL1BEM	0.090 (0.20)

LEDs BA 15d Base Fitting	24 Vdc	Color	Quantity	Protected LED	
				Catalog Number	Weight kg (lb)
		White	1	DL1BDB1	0.015 (0.03)
		Green	1	DL1BDB3	0.015 (0.03)
		Red	1	DL1BDB4	0.015 (0.03)
		Orange	1	DL1BDB5	0.015 (0.03)
		Blue	1	DL1BDB6	0.015 (0.03)
		Yellow	1	DL1BDB8	0.015 (0.03)
	120 Vac	White	1	DL1BDG1	0.015 (0.03)
		Green	1	DL1BDG3	0.015 (0.03)
		Red	1	DL1BDG4	0.015 (0.03)
		Orange	1	DL1BDG5	0.015 (0.03)
		Blue	1	DL1BDG6	0.015 (0.03)
		Yellow	1	DL1BDG8	0.015 (0.03)

Flashing LEDs BA 15d Base Fitting	24 Vdc	Color	Quantity	Protected LED	
				Catalog Number	Weight kg (lb)
		White	1	DL1BKB1	0.015 (0.03)
		Green	1	DL1BKB3	0.015 (0.03)
		Red	1	DL1BKB4	0.015 (0.03)
		Orange	1	DL1BKB5	0.015 (0.03)
		Blue	1	DL1BKB6	0.015 (0.03)
		Yellow	1	DL1BKB8	0.015 (0.03)
	120 Vac	White	1	DL1BKG1	0.015 (0.03)
		Green	1	DL1BKG3	0.015 (0.03)
		Red	1	DL1BKG4	0.015 (0.03)
		Orange	1	DL1BKG5	0.015 (0.03)
		Blue	1	DL1BKG6	0.015 (0.03)
		Yellow	1	DL1BKG8	0.015 (0.03)

Description	Application	Catalog Number	Weight kg (lb)
Bulb Mounting and Removal Tool	—	XVPCX13	0.015 (0.03)

# Tower Lights and Beacons

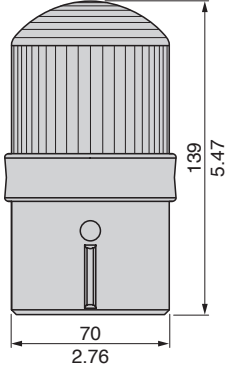
70 mm Diameter

Harmony® XVB

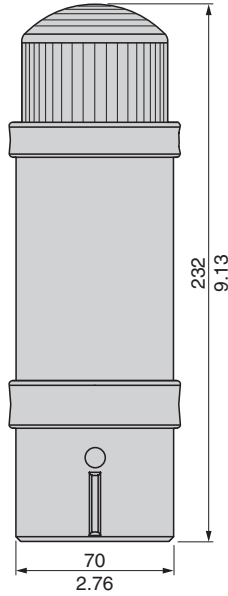
## Dimensions

### Illuminated Beacons XVBL●●●

For BA 15d Bulb or LED

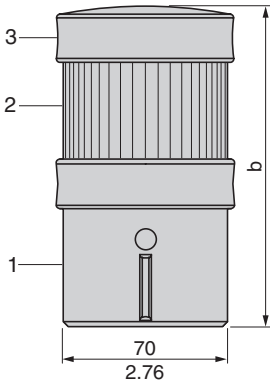


With "Flash" Discharge Tube Unit



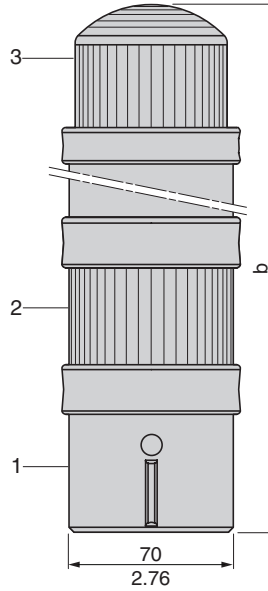
### Tower Lights XVBC●●●

Without "Flash" Discharge Tube Unit



- 1 Base unit XVBC21 <sup>(1)</sup>
- 2 Illuminated or audible signaling unit XVBC●●●
- 3 Cover <sup>(1)</sup>

With "Flash" Discharge Tube Unit



- 1 Base unit XVBC07
- 2 Illuminated or audible signaling unit XVBC●●●
- 3 "Flash" unit XVBC●●●

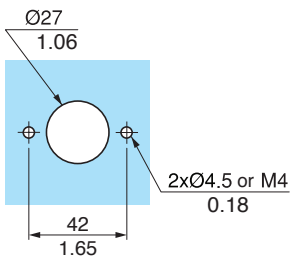
Number of Illuminated or Audible Signalling Units (no "flash")	b mm (in)
1	138 (5.43)
2	201 (7.91)
3	264 (10.39)
4	327 (12.87)
5	390 (15.35)

Number of Illuminated or Audible Signalling Units other than "Flash" Tube	b mm (in)
1	295 (11.61)
2	358 (14.09)
3	421 (16.57)
4	484 (19.06)

(1) Base unit XVBC21 is supplied with a cover.

### Panel Cut-out for Direct Mounting

On Base Unit XVBC21, XVBC07, XVBC21A, or XVBC21B

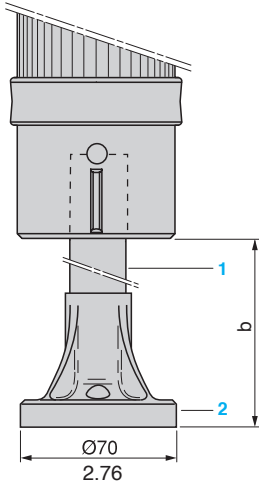


Dimensions  $\frac{\text{mm}}{\text{in.}}$

### Dimensions

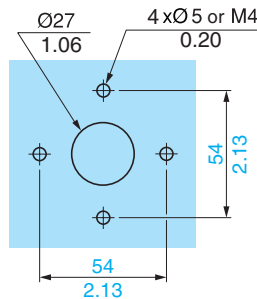
With Mounting Bases Comprising XVBZ0● (aluminum support tube glued into black plastic mounting plate)

Horizontal Support Drilling Plan for Mounting on Mounting Plate



Mounting base comprised of an XVBZ0● (Ø 25 mm support tube 1 glued into plastic mounting plate 2)

XVB	b
Z02/Z02A	80
Z03/Z03A	380
Z04/Z04A	780

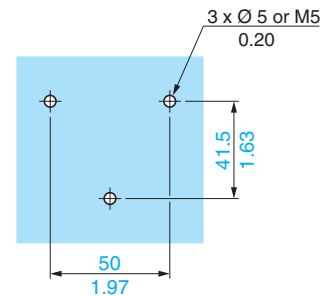
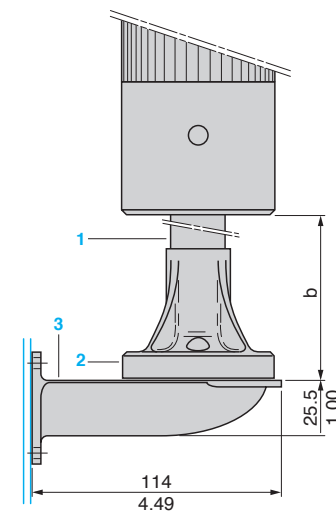
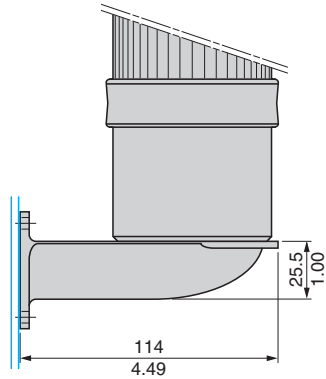
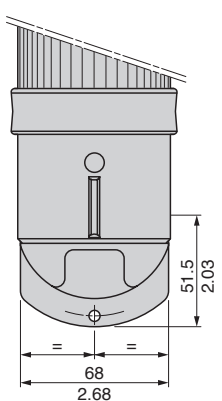


With Mounting Plate XVBC12 for use on Vertical Support

Direct Mounting on Base Unit

Mounting using Mounting Base XVBZ0● (aluminum support tube glued into black plastic mounting plate)

Drilling Plan for XVBC12



Mounting base comprised of an XVBZ0● (Ø 25 mm support tube 1 glued into plastic mounting plate 2) mounted on mounting plate XVBC12 for vertical support 3

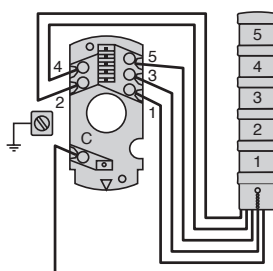
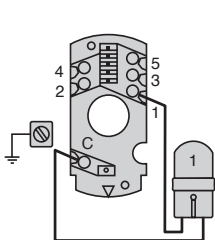
XVB	b	mm (in)
Z02/Z02A	80	(3.15)
Z03/Z03A	380	(14.96)
Z04/Z04A	780	(30.71)

### Installation

Connections

XVBL

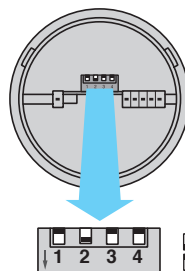
XVBC



Adjustment of Audible Signal for Buzzers XVBC9●

Four microswitches located in the base of the buzzer:

- 2 switches marked 1 and 2 used to select continuous or intermittent mode (Hz).
- 2 switches marked 3 and 4 used to select the power (dB) of the audible signal.



Position of Microswitches		Setting
1	2	Mode
1	1	— 2.8 kHz
1	0	— 2.8 kHz
0	1	⌌ 5 Hz <sup>(1)</sup>
0	0	⌌ 1 Hz
3	4	Power
1	1	90 dB <sup>(1)</sup>
0	1	85 dB
1	0	80 dB
0	0	70 dB

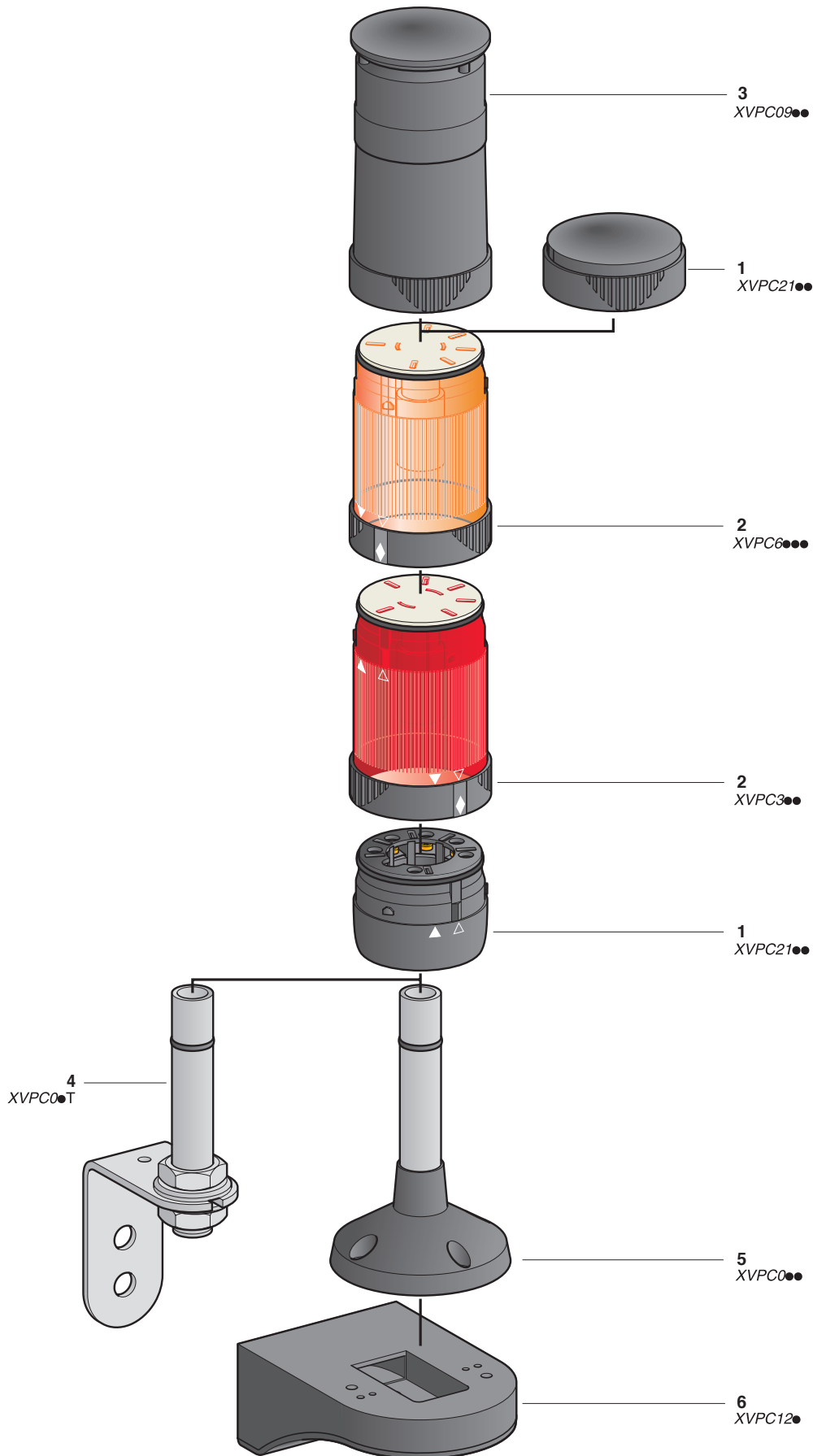
(1) Factory setting.

Dimensions  $\frac{\text{mm}}{\text{in.}}$

# Tower Lights and Beacons

50 mm Diameter

Harmony® XVP





# Tower Lights and Beacons

50 mm Diameter

Harmony® XVP

Tower Lights (customer assembly, up to 5 units)

XVP tower lights are visual or audible signaling units for indicating states or operation sequences of a machine or installation.

Their reduced diameter (50 mm (2.0 in)) makes them particularly suitable for use on small equipment. In addition, the availability of two versions (aesthetic black or cream), makes them ideal for use in all sectors of activity: light industry, electronic, tertiary sector, and food/drink processing.

## XVP Tower Light

### Customer assembled product

Variable composition assemblies of illuminated and audible units which are supplied as separate items (for assembly by user).

The bank includes:

- 1 a base unit with bottom cable entry, and cover for the top unit,
- 2 one to five illuminated units with steady, flashing, or "flash" light signaling (colors include: green, red, orange, blue, clear, or yellow).
- 3 one audible unit (always mounted at the top of the bank) + four illuminated units.

- The illuminated or audible units stack vertically and are easily locked and unlocked using an integral clamping ring. Electrical connections between each unit are made automatically.
- For XVP tower lights, several illuminated "flash" units can be mounted.
- The flashing illuminated units are only available in an LED version and incorporate a BA 15d base mounted flashing LEDs.

### Accessories

- 4 Threaded aluminum support tube with mounting bracket, for heights beneath the base unit of 77, 227, or 377 mm (3.03, 8.94, or 15.24 in).
- 5 Aluminum support tube with black or off-white plastic mounting base, for heights beneath the base unit of 89, 237, or 387 mm (3.50, 9.33, or 15.24 in), for direct mounting on the machine or on a vertical support 6.

## Installation

### Mounting

- Base unit fixed directly onto panel, or
- using support tube with plastic mounting base, or
- using threaded support tube with metal mounting bracket, or
- using support tube with plastic mounting base, mounted on a mounting plate for use on a vertical support.

### Cabling

By means of a terminal block incorporated in the base unit. The screw and captive cable clamp terminals are designed to help protect against accidental contact with live parts. Cream colored base units are available for use with eyelet tags.

# Tower Lights and Beacons

## 50 mm Diameter

### Harmony® XVP

#### Environment Specifications

<b>Product</b>	Standard version		CSA, CE marking, cULus
<b>Certifications</b>			
<b>Conformity to Standards</b>			EN/IEC 60947-5-1
<b>Protective Treatment</b>	Standard version Conforming to UTE C63-100		"TC"
<b>Ambient Air Temperature</b>	For storage	°C (°F)	- 40... + 70 (- 40... + 158)
	For operation	Illuminated units with steady light signaling	°C (°F) - 25... + 50 (- 13... + 122) with 7 W incandescent bulb - 25... + 50 (- 13... + 122) with LED
		Illuminated "flash" units (discharge tube) Audible units	°C (°F)
<b>Electric Shock Protection</b> Conforming to IEC 61140	Mounted on support tube		Class I
	Mounted on base unit		Class II
<b>Degree of Protection</b>	Conforming to IEC 60529		- IP 65 for illuminated units - IP 43 for audible units
<b>Material</b>	Illuminated units		Polycarbonate and Polyamide
	Base unit and cover		Acrylic Butadiene-Styrene + Polycarbonate and Polyamide
	Support tube + mounting plate		Aluminum and Acrylic Butadiene-Styrene + Polycarbonate

#### Electrical Specifications

<b>Rated insulation voltage (Ui)</b>	Conforming to EN/IEC 60947-1	<b>V</b>	250	
<b>Voltage limits</b>	Conforming to IEC 60947-5-1	<b>V</b>	0.85 to 1.10 Un (Un: nominal voltage)	
<b>Consumption</b>	LED unit	Steady light signaling	<b>mA</b>	24 Vac/dc: < 80 120 Vac: < 30 230 Vac: < 30
			Flashing light signaling	<b>mA</b>
	Illuminated "flash" unit (discharge tube)	On power-up		<b>mA</b>
			<b>mA</b>	120 Vac: ≤ 20
			<b>mA</b>	230 Vac: ≤ 11
Audible units			<b>mA</b>	24 Vdc: ≤ 15
			<b>mA</b>	120 Vac: ≤ 15
			<b>mA</b>	230 Vac: ≤ 12
<b>Rated Impulse Withstand Voltage</b>	Conforming to EN/IEC 60947-1	<b>kV</b>	Uimp = 4	
<b>Light Source</b>	Illuminated units with steady or flashing light signaling		LEDs: degree of pollution 2	
			Incandescent bulbs with BA 15d base fitting, maximum power 7 W	
<b>Illuminating Power</b>	Illuminated units with steady light signaling	<b>cds</b>	2.4 with clear lens unit (7 W incandescent bulb)	
	Illuminated "flash" units (discharge tube)	<b>cds</b>	1.2 (24 V) with clear lens unit (0.3 J tube), 5 (120...230 V) with clear lens unit (0.6 J tube)	
<b>Audible Unit</b>	Continuous or intermittent tone	<b>dB</b>	Adjustable: 85 ± 3 max., 55 ± 3 min. at 1 m	
	Fundamental frequency	<b>kHz</b>	10 adjustable levels	
<b>Terminal Referencing</b>	Common to all 5 units		1 terminal referenced -/C	
	Depending on number of units		1 or 5 terminals referenced +/1 to +/5	
<b>Connection</b>	Maximum clamping capacity on protected, ready-to-tighten, screw and captive cable clamp terminals	<b>mm<sup>2</sup></b>	1 x 1.5 with cable end 2 x 16 AWG	
<b>Torque Value for Wiring Terminals</b>		<b>lb-in (N-m)</b>	4.4 (0.5)	
<b>Frequency of Illuminated Units</b>	Illuminated "flash" units (discharge tube)	<b>Hz</b>	0.6...2	
	Flashing illuminated units	<b>Hz</b>	1	
<b>Service Life in Rapidly Ageing Environment</b>	Illuminated "flash" units (discharge tube) Audible units	<b>H</b>	> 1000, continuous (climatic cycle - 25 °C (- 13 °F)... + 50 °C (+ 122 °F))	

# Tower Lights and Beacons

50 mm Diameter

Harmony® XVP



XVPC3●



XVPC3●W

### Lens Units with Steady or Flashing Light Signaling for BA 15d Bulb or LED

Description	Light Source (ordered separately)	Color	Catalog Number	Weight kg (lb)
<b>With Black Clamping Ring</b>	Incandescent bulb 7 W max. 250 V max. or LED	Green	<b>XVPC33</b>	0.100 (0.22)
		Red	<b>XVPC34</b>	0.100 (0.22)
		Orange	<b>XVPC35</b>	0.100 (0.22)
		Blue	<b>XVPC36</b>	0.100 (0.22)
		Clear	<b>XVPC37</b>	0.100 (0.22)
		Yellow	<b>XVPC38</b>	0.100 (0.22)
<b>With Off-white Clamping Ring</b>	Incandescent bulb 7 W max. 250 V max. or LED	Green	<b>XVPC33W</b>	0.100 (0.22)
		Red	<b>XVPC34W</b>	0.100 (0.22)
		Orange	<b>XVPC35W</b>	0.100 (0.22)
		Blue	<b>XVPC36W</b>	0.100 (0.22)
		Clear	<b>XVPC37W</b>	0.100 (0.22)
		Yellow	<b>XVPC38W</b>	0.100 (0.22)

### BA 15d Bulbs and LEDs

Description	Specifications	Sold in lots of	Catalog Number	Weight kg (lb)			
<b>Incandescent Bulbs</b> BA 15d Base Fitting	12 V 7 W	10	<b>DL1BEJ</b>	0.090 (0.20)			
	24 V 6.5 W	10	<b>DL1BEB</b>	0.090 (0.20)			
	120 V 7 W	10	<b>DL1BEG</b>	0.090 (0.20)			
	230 V 7 W	10	<b>DL1BEM</b>	0.090 (0.20)			
<b>LEDs</b> BA 15d Base Fitting	24 Vac/dc	White	1	<b>DL1BDB1</b>	0.015 (0.03)		
		Green	1	<b>DL1BDB3</b>	0.015 (0.03)		
		Red	1	<b>DL1BDB4</b>	0.015 (0.03)		
		Orange	1	<b>DL1BDB5</b>	0.015 (0.03)		
		Blue	1	<b>DL1BDB6</b>	0.015 (0.03)		
	120 Vac	White	1	<b>DL1BDG1</b>	0.015 (0.03)		
		Green	1	<b>DL1BDG3</b>	0.015 (0.03)		
		Red	1	<b>DL1BDG4</b>	0.015 (0.03)		
		Orange	1	<b>DL1BDG5</b>	0.015 (0.03)		
		Blue	1	<b>DL1BDG6</b>	0.015 (0.03)		
		Yellow	1	<b>DL1BDG8</b>	0.015 (0.03)		
		<b>Flashing LEDs</b> BA 15d Base Fitting	24 Vac/dc	White	1	<b>DL1BKB1</b>	0.015 (0.03)
				Green	1	<b>DL1BKB3</b>	0.015 (0.03)
				Red	1	<b>DL1BKB4</b>	0.015 (0.03)
Orange	1			<b>DL1BKB5</b>	0.015 (0.03)		
120 Vac	Blue		1	<b>DL1BKB6</b>	0.015 (0.03)		
	Yellow		1	<b>DL1BKB8</b>	0.015 (0.03)		
	White		1	<b>DL1BKG1</b>	0.015 (0.03)		
	Green		1	<b>DL1BKG3</b>	0.015 (0.03)		
	Red	1	<b>DL1BKG4</b>	0.015 (0.03)			
	Orange	1	<b>DL1BKG5</b>	0.015 (0.03)			
	Blue	1	<b>DL1BKG6</b>	0.015 (0.03)			
	Yellow	1	<b>DL1BKG8</b>	0.015 (0.03)			

**Protected LED**

**Protected LED**

# Tower Lights and Beacons

50 mm Diameter

Harmony® XVP



XVPC6●●



XVPC6●●W

### Illuminated "Strobe" Units with Discharge Tube

Description	Voltage	Color	Catalog Number	Weight kg (lb)
<b>With Black Clamping Ring</b>	"Strobe" discharge tube (1 Joule) 24 Vac/dc	Green	<b>XVPC6B3</b>	0.120 (0.26)
		Red	<b>XVPC6B4</b>	0.120 (0.26)
		Orange	<b>XVPC6B5</b>	0.120 (0.26)
		Blue	<b>XVPC6B6</b>	0.120 (0.26)
		Clear	<b>XVPC6B7</b>	0.120 (0.26)
		Yellow	<b>XVPC6B8</b>	0.120 (0.26)
	"Strobe" discharge tube (0.6 Joules) 120 Vac	Green	<b>XVPC6G3</b>	0.115 (0.25)
		Red	<b>XVPC6G4</b>	0.115 (0.25)
		Orange	<b>XVPC6G5</b>	0.115 (0.25)
		Blue	<b>XVPC6G6</b>	0.115 (0.25)
		Clear	<b>XVPC6G7</b>	0.115 (0.25)
		Yellow	<b>XVPC6G8</b>	0.115 (0.25)
<b>With Off-white Clamping Ring</b>	"Strobe" discharge tube (1 Joule) 24 Vac/dc	Green	<b>XVPC6B3W</b>	0.120 (0.26)
		Red	<b>XVPC6B4W</b>	0.120 (0.26)
		Orange	<b>XVPC6B5W</b>	0.120 (0.26)
		Blue	<b>XVPC6B6W</b>	0.120 (0.26)
		Clear	<b>XVPC6B7W</b>	0.120 (0.26)
		Yellow	<b>XVPC6B8W</b>	0.120 (0.26)
	"Strobe" discharge tube (0.6 Joules) 120 Vac	Green	<b>XVPC6G3W</b>	0.115 (0.25)
		Red	<b>XVPC6G4W</b>	0.115 (0.25)
		Orange	<b>XVPC6G5W</b>	0.115 (0.25)
		Blue	<b>XVPC6G6W</b>	0.115 (0.25)
		Clear	<b>XVPC6G7W</b>	0.115 (0.25)
		Yellow	<b>XVPC6G8W</b>	0.115 (0.25)



XVPC09●



XVPC09●W

### Audible Units

Description	Voltage	Color	Catalog Number	Weight kg (lb)
<b>Buzzer, Adjustable 55...85 dB at 1 m</b>	24 Vdc	Black	<b>XVPC09B</b>	0.153 (0.34)
	120 Vac	Black	<b>XVPC09G</b>	0.153 (0.34)
	230 Va	Black	<b>XVPC09M</b>	0.153 (0.34)
	24 Vdc	Off-white	<b>XVPC09BW</b>	0.153 (0.34)
	120 Vac	Off-white	<b>XVPC09GW</b>	0.153 (0.34)
	230 Vac	Off-white	<b>XVPC09MW</b>	0.153 (0.34)

# Tower Lights and Beacons

50 mm Diameter

Harmony® XVP



XVPC21



XVPC21W●

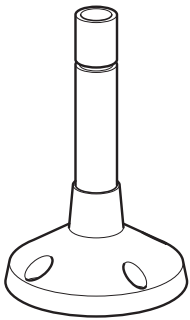
## Base Units

### Base Units for Direct or Tube Mounting

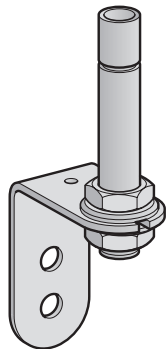
Description	Color	Catalog Number	Weight kg (lb)
Base Unit + Cover for bared wires or wires with cable end	Black	XVPC21	0.125 (0.28)
	Off-white	XVPC21W	0.125 (0.28)
Base Unit + Cover for eyelet tags	Off-white	XVPC21WR	0.125 (0.28)

## Accessories

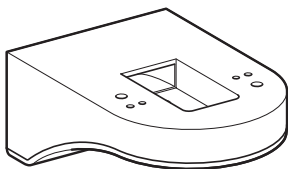
Description	Height Under Base Unit mm (in)	Catalog Number	Weight kg (lb)
Aluminum Support Tube with Black Plastic Mounting Base	89 (3.50)	XVPC02	0.112 (0.25)
	237 (9.33)	XVPC03	0.173 (0.38)
	387 (15.24)	XVPC04	0.253 (0.56)
Aluminum Support Tube with Off-white Plastic Mounting Base	89 (3.50)	XVPC02W	0.112 (0.25)
	237 (9.33)	XVPC03W	0.173 (0.38)
	387 (15.24)	XVPC04W	0.253 (0.56)
Aluminum Support Tube with L-shape bracket	89 (3.50)	XVPC02T	0.245 (0.54)
	237 (9.33)	XVPC03T	0.306 (0.67)
	387 (15.24)	XVPC04T	0.386 (0.85)



XVPC0●●



XVPC0●T



XVPC12●

Description	Application	Catalog Number	Weight kg (lb)
Mounting Plate for use on Vertical Support, Black	For mounting XVPC0●● support tubes with plastic mounting base	XVPC12	0.083 (0.18)
Mounting Plate for use on Vertical Support, Off-white	For mounting XVPC0●● support tubes with plastic mounting base	XVPC12W	0.083 (0.18)
Bulb Mounting and Removal Tool	—	XVPCX13	0.015 (0.03)

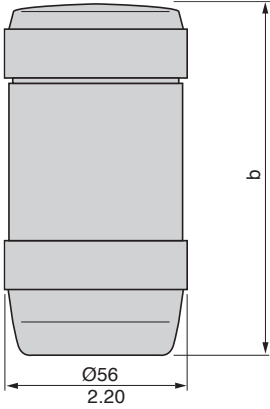
# Tower Lights and Beacons

50 mm Diameter

Harmony® XVP

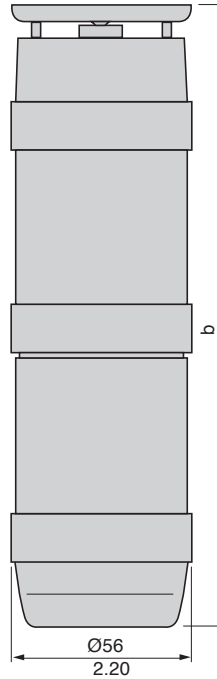
## Tower Lights XVPC●●●

Without Audible Unit



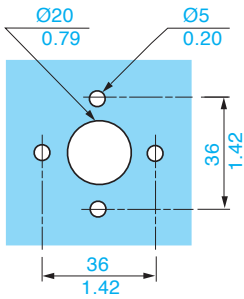
Number of Illuminated Units	b mm (in)
1	108 (4.25)
2	170 (6.69)
3	232 (9.13)
4	294 (11.57)
5	356 (14.01)

With Audible Unit



Number of Illuminated Units	+ Audible	b mm (in)
0	+ 1	129 (5.08)
1	+ 1	194 (7.64)
2	+ 1	256 (10.08)
3	+ 1	318 (12.52)
4	+ 1	380 (14.96)

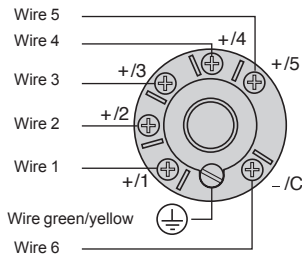
### Drilling Plan for Direct Mounting (on base unit XVPC21●●)



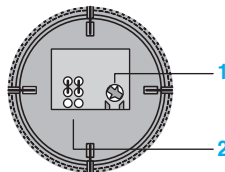
Dimensions  $\frac{\text{mm}}{\text{in.}}$

## Installation

### Connections



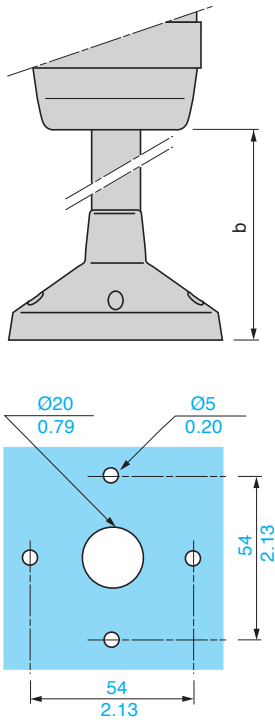
### Adjustment of Audible Signal for XVPC09● B buzzers



- 1 Volume adjustment potentiometer: 55...85 dB. Use either a cross headed or flat tipped screwdriver.
- 2 Adjustment of type of audible signal according to position of two links. Use flat-nose pliers.
- 3 Ten configurations are possible, see table below. Factory set on position 5: continuous tone.

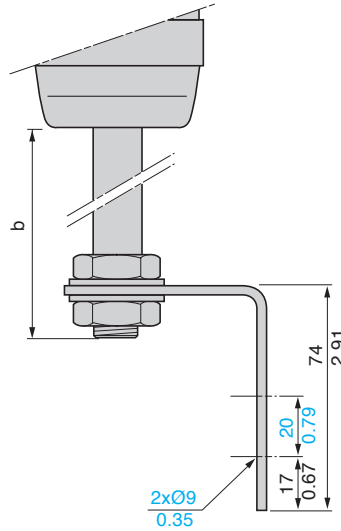
3	Position of links	Type of Audible Signal	Position of Links	Type of Audible Signal
1	5 ● 6 1 ○ 2		6	
2	5 ○ 6 1 ● 2		7	
3	5 ● 6 1 ○ 2		8	
4	5 ○ 6 1 ● 2		9	
5	5 ● 6 1 ○ 2		10	

#### Support Tube XVPC0●● with Plastic Mounting Base



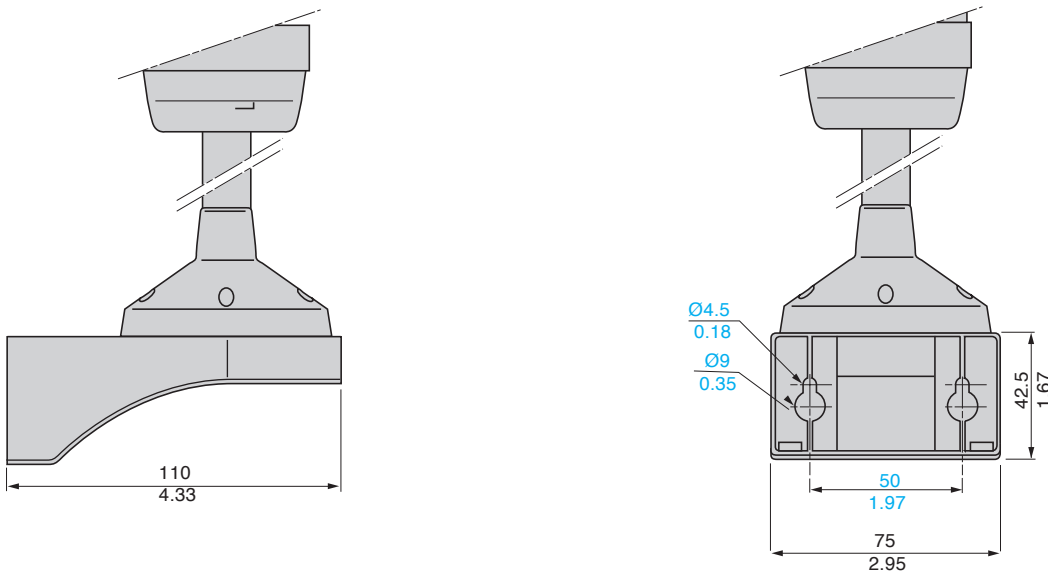
Height under base unit	b mm (in)
XVPC02●	89 (3.50)
XVPC03●	237 (9.33)
XVPC04●	387 (15.24)

#### Threaded Support Tube XVPC0●T with Metal Mounting Bracket



Height under base unit	b mm (in)
XVPC02T	77 (3.03)
XVPC03T	227 (8.94)
XVPC04T	377 (14.84)

#### Mounting Plate XVPC12● for use on a Vertical Support



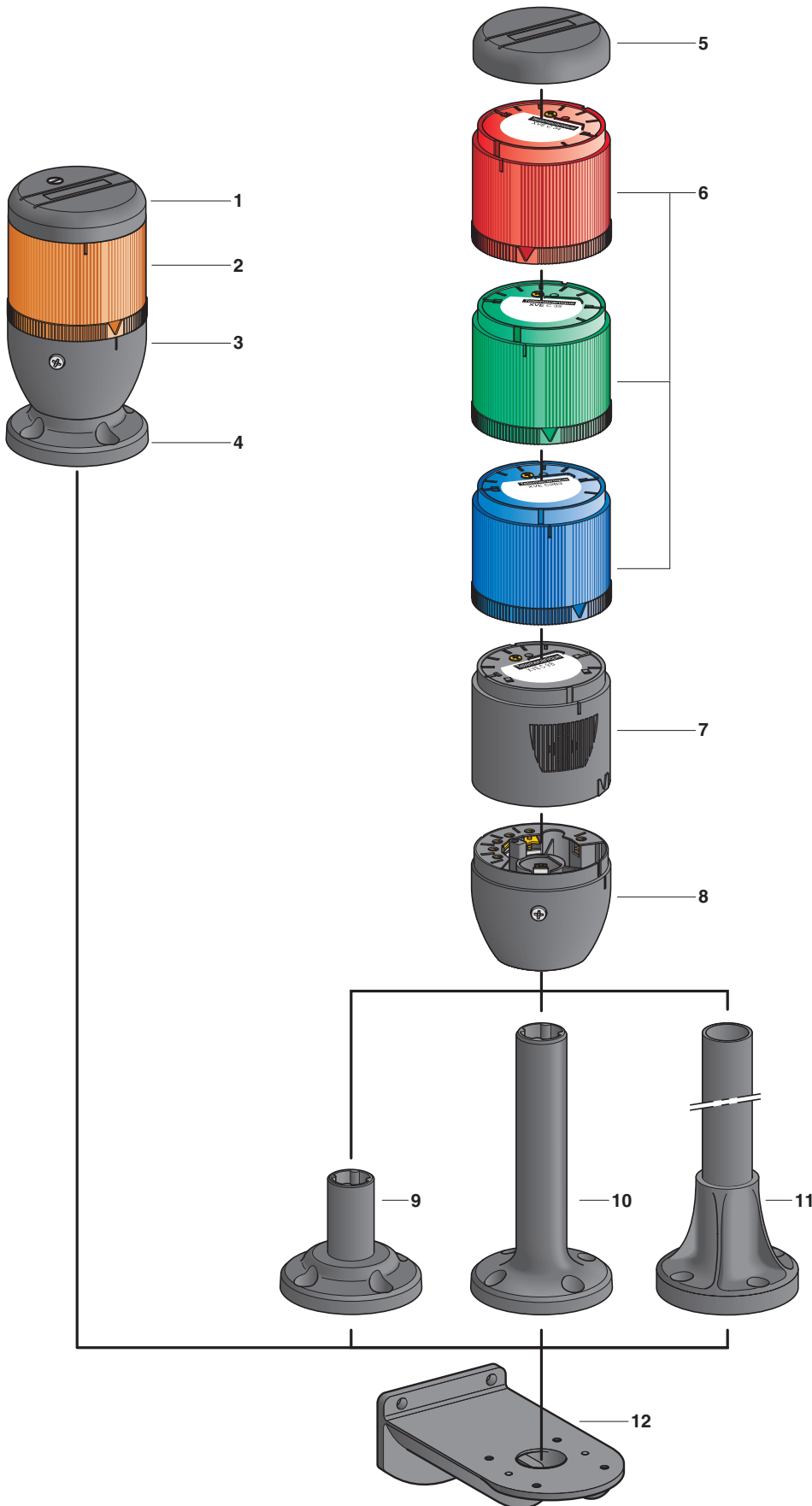
**NOTE:** Support tube XVPC0●● with plastic mounting base must be used.

Dimensions  $\frac{\text{mm}}{\text{in.}}$

# Tower Lights and Beacons

70 mm Diameter

Harmony® XVE



## Description

### Illuminated Beacon

The illuminated beacon is a complete product including:

- 1 A screw mounting cover.
- 2 One colored lens unit (green, red, orange, blue, or clear).
- 3 A base unit with terminal block and bottom cable entry.
- 4 A monobloc mounting base for mounting on machine.

### Tower Light

The tower light is a customer assembled product using:

- 5 A cover.
- 6 1 to 5 colored lens units (green, red, orange, blue, or clear) with a choice of 3 types of signaling (steady, flashing or "flash").
- 7 1 audible unit.
- 8 A base unit (IP 42 or IP 54) with terminal block and bottom cable entry.
- 9 A plastic mounting base, 20 mm (0.787 in) high.
- 10 A plastic mounting base, 100 mm (3.94 in) high.
- 11 An aluminum support tube glued into a plastic mounting plate, for heights beneath the base unit of 80 (3.15), 380 (14.96), or 780 (30.71) mm (in).

### To be ordered separately:

- 12 Mounting plate for mounting on vertical support.



# Tower Lights and Beacons

## 70 mm Diameter

### Harmony® XVE

#### Introduction

XVE tower lights and beacons are designed for remote signaling of the status of a machine, equipment or specific application, either visually using illuminated units that are visible throughout 360° or audibly using an 85 dB buzzer.

The XVE provides efficient signaling (5 colors available), at medium range distances (30 m (100 ft)), in both indoor and outdoor environments.

The standard configuration of the tower lights and beacons is an IP 42 degree of protection, which is sufficient for the majority of indoor applications.

Both the IP 42 pre-configured beacons and tower lights can be upgraded to IP 54 by using a sealing kit <sup>(1)</sup>.

#### Composition

- The beacons are supplied complete and incorporate a single steady or "flash" light illuminated unit and a short mounting base. They are ready to use.
- The tower lights must be assembled by the user and include: signaling units, mounted on a base unit and a mounting base. These various items can be selected from the catalog.
- For a tower light, a maximum of 5 illuminated units or 4 illuminated units + 1 audible unit can be assembled.
- The illuminated or audible units stack vertically and are easily fitted together. A screw secures their mounting. Electrical connections between each unit are made automatically as the units are mechanically assembled.
- All signaling units are identical in size and their positioning is unrestricted.

#### Signaling Functions

##### Steady Light Signaling

Two types of light source are available for steady light signaling:

- The incandescent BA 15d base fitting bulb, 5 W max. power, is recommended for infrequent usage and where no vibration or mechanical shock exists.
- LEDs are recommended for continuous usage: 100,000 operating hours without maintenance and low consumption. They have a good resistance to vibration. Using an LED of a color best suited to the color of the lens unit provides optimal luminosity.

##### Flashing Light Signaling

Flashing light signaling is also obtained using the LED. It meets requirements regarding reliability, continuous usage, and electronic simplicity.

A flashing function can also be obtained from a steady light LED illuminated unit by using a PLC output signal.

##### "Flash" Light Signaling

The light source is a 1 Joule discharge tube which delivers a powerful warning signal. It is available for the 5 colors.

##### Audible Signaling

Audible signaling is provided by a continuous tone buzzer with a power rating of 85 dB at 1 m.

#### Installation

##### Mounting

Fixed onto a support panel using a plastic monobloc mounting base or a mounting base which is comprised of an aluminum support tube glued into a plastic mounting plate.

##### Cabling

By means of terminal block incorporated in base unit.

#### Environment Specifications

<b>Degree of Protection</b>	Conforming to IEC 60529		IP 42 in vertical position, IP 40 for other positions IP 54 for reinforced protection version: for all mounting positions using mounting base XVEZ13, only in vertical position for other heights of mounting base
<b>Product Certifications</b>			UL, CSA, CCC
<b>Approval</b>			CE
<b>Conformity to Standards</b>			EN/IEC 60947-1, EN/IEC 60947-5-1
<b>Ambient Air Temperature</b>	For storage	°C (°F)	-40...+70 (-40...158)
	For operation	°C (°F)	-25...+55 (-13...131)
<b>Electric Shock Protection</b> Conforming to IEC 61140	Mounted on plastic support tube		Class I
	Mounted on aluminum support tube		Class I
<b>Protective Treatment</b>			Standard version: "TC"
<b>Electronic Components Protection (LED and flash)</b>	By integral fuse in series on the common	A	0.63 (24 Vdc)
		A	0.16 (120...240 Vac)

#### Electrical Specifications

Illuminated Units			With Bulb, not included (lens unit only)	With Integral LED, Steady Light Signaling	With Integral LED, Flashing Light Signaling	With "Flash" Discharge Tube, 1 Joule
<b>Rated Insulation Voltage (Ui)</b>	Conforming to EN/IEC 60947-1	V	250	250	250	250
<b>Voltage Limits</b>	Conforming to EN/IEC 60947-5-1	V	0.85...1.10 Un (Un: nominal voltage)			
<b>Light Source</b>			BA 15d base fitting bulb, maximum power 5 W (240 V max.)	LED	LED	"Flash" discharge tube, 1 Joule
<b>Consumption</b>	On 24 Vdc	mA	Depending on bulb used	< 25	< 30	< 145 on 24 Vac < 85 on 24 Vdc
	On 120 Vac	mA	Depending on bulb used	< 25	< 25	< 35
	On 230/240 Vac	mA	Depending on bulb used	< 25	< 25	< 25
<b>Rated Impulse Withstand Voltage</b>	Conforming to EN/IEC 60947-1	kV	Uimp = 4			
<b>Illuminating Power</b>	Average value for all colors	cds/m <sup>2</sup>	640	800	800	—
<b>Flashing Frequency</b>	Nominal value	Hz	—	—	1	1

#### Audible Units

<b>Consumption</b>	On 24 Vdc	mA	< 15
	On 120 Vac	mA	< 25
	On 230/240 Vac	mA	< 25
<b>Power</b>	Continuous tone	dB	85 at 1 m
	Fundamental frequency	kHz	2.6 for continuous tone

#### Connection of Illuminated and Audible Units

<b>Terminal Referencing</b>			1 terminal referenced "C" common to all 5 units 5 terminals referenced 1 to 5
<b>Connection</b>	Maximum clamping capacity on protected, ready-to-tighten, screw and captive cable clamp terminals	mm <sup>2</sup>	1 x 1.5 with cable end 2 x 16 AWG
<b>Torque Value for Wiring Terminals</b>		lb-in (N-m)	4.4 (0.5)



XVEL3●●



XVEL2●●



XVEL6●●

#### Illuminated Beacons with Steady Light Signaling

Description	Light Source	Supply Voltage	Color of Lens Unit	Catalog Number	Weight kg (lb)		
<b>Complete Unit includes:</b> - 1 screw mounting cover, - 1 illuminated unit, - 1 base unit, - 1 short mounting base	Bulb, not included, 5 W max.	240 Vdc max.	Green	<b>XVEL33</b>	0.245 (0.54)		
			Red	<b>XVEL34</b>	0.245 (0.54)		
			Orange	<b>XVEL35</b>	0.245 (0.54)		
			Blue	<b>XVEL36</b>	0.245 (0.54)		
			Clear	<b>XVEL37</b>	0.245 (0.54)		
			Illuminated unit with integral LED	24 Vdc	Green	<b>XVEL2B3</b>	0.250 (0.55)
	Red	<b>XVEL2B4</b>			0.250 (0.55)		
	Orange	<b>XVEL2B5</b>			0.250 (0.55)		
	Blue	<b>XVEL2B6</b>			0.250 (0.55)		
	Clear	<b>XVEL2B7</b>			0.250 (0.55)		
	120 Vac	120 Vac			Green	<b>XVEL2G3</b>	0.250 (0.55)
					Red	<b>XVEL2G4</b>	0.250 (0.55)
			Orange	<b>XVEL2G5</b>	0.250 (0.55)		
Blue			<b>XVEL2G6</b>	0.250 (0.55)			
Clear			<b>XVEL2G7</b>	0.250 (0.55)			

#### Illuminated Beacons with "Flash" Light Signaling

Description	Light source	Supply voltage	Color of Lens Unit	Catalog Number	Weight kg (lb)		
<b>Complete Unit includes:</b> - 1 screw mounting cover, - 1 illuminated unit, - 1 base unit, - 1 short mounting base	Illuminated unit with 1 Joule "flash" discharge tube	24 Vdc	Green	<b>XVEL6B3</b>	0.270 (0.60)		
			Red	<b>XVEL6B4</b>	0.270 (0.60)		
			Orange	<b>XVEL6B5</b>	0.270 (0.60)		
			Blue	<b>XVEL6B6</b>	0.270 (0.60)		
			Clear	<b>XVEL6B7</b>	0.270 (0.60)		
			120 Vac	120 Vac	Green	<b>XVEL6G3</b>	0.270 (0.60)
					Red	<b>XVEL6G4</b>	0.270 (0.60)
	Orange	<b>XVEL6G5</b>			0.270 (0.60)		
	Blue	<b>XVEL6G6</b>			0.270 (0.60)		
	Clear	<b>XVEL6G7</b>			0.270 (0.60)		



XVEC3●



XVEC2●●●



XVEC5●●●



XVEC6●●●



XVEC9●

#### Lens Units with Steady Light Signaling

Description	Light Source	Supply Voltage	Color of Lens Unit	Catalog Number	Weight kg (lb)
Lens Units Only for BA 15d Base Fitting Bulb	Bulb, not included, 5 W max.	240 Vdc max.	Green	XVEC33	0.072 (0.16)
			Red	XVEC34	0.072 (0.16)
			Orange	XVEC35	0.072 (0.16)
			Blue	XVEC36	0.072 (0.16)
			Clear	XVEC37	0.072 (0.16)
Illuminated Units	Integral LED	24 Vdc	Green	XVEC2B3	0.077 (0.17)
			Red	XVEC2B4	0.077 (0.17)
			Orange	XVEC2B5	0.077 (0.17)
			Blue	XVEC2B6	0.077 (0.17)
			Clear	XVEC2B7	0.077 (0.17)
		120 Vac	Green	XVEC2G3	0.077 (0.17)
			Red	XVEC2G4	0.077 (0.17)
			Orange	XVEC2G5	0.077 (0.17)
			Blue	XVEC2G6	0.077 (0.17)
			Clear	XVEC2G7	0.077 (0.17)

#### Lens Units with Flashing Light Signaling

Illuminated Units	Integral LED	24 Vdc	Green	XVEC5B3	0.077 (0.17)	
			Red	XVEC5B4	0.077 (0.17)	
			Orange	XVEC5B5	0.077 (0.17)	
			Blue	XVEC5B6	0.077 (0.17)	
			Clear	XVEC5B7	0.077 (0.17)	
			120 Vac	Green	XVEC5G3	0.077 (0.17)
				Red	XVEC5G4	0.077 (0.17)
		Orange		XVEC5G5	0.077 (0.17)	
		Blue		XVEC5G6	0.077 (0.17)	
		Clear		XVEC5G7	0.077 (0.17)	

#### Lens Units with "Flash" Light Signaling

Illuminated Units	"Flash" discharge tube, 1 Joule	24 Vdc	Green	XVEC6B3	0.094 (0.21)	
			Red	XVEC6B4	0.094 (0.21)	
			Orange	XVEC6B5	0.094 (0.21)	
			Blue	XVEC6B6	0.094 (0.21)	
			Clear	XVEC6B7	0.094 (0.21)	
			120 Vac	Green	XVEC6G3	0.094 (0.21)
				Red	XVEC6G4	0.094 (0.21)
		Orange		XVEC6G5	0.094 (0.21)	
		Blue		XVEC6G6	0.094 (0.21)	
		Clear		XVEC6G7	0.094 (0.21)	

#### Audible Units

Description	Power	Supply Voltage	Catalog Number	Weight kg (lb)
Buzzer, Single Tone	85 dB at 1 meter	24 Vdc	XVEC9B	0.090 (0.20)
		120 Vac	XVEC9G	0.090 (0.20)
		230 V/240 Vac	XVEC9M	0.090 (0.20)



XVEC21



XVEC21P



XVEZ13

XVDC02



XVBZ02

XVBZ03/Z04



XVBZ01

XVBC12



XVEZ081



XVEZ082



XVEZ083



DL1BE-S

### Base Units and Covers

Usage	Composition	Catalog Number	Weight kg (lb)
IP42	Base unit and cover	XVEC21	0.110 (0.24)
IP54	Base unit with seal + screw mounting cover + kit comprising 5 seals for lens units and buzzer + 1 seal for mounting base XVEZ13	XVEC21P	0.120 (0.26)

### Mounting Components

Description	Height Under Base Unit mm (in)	Color	Catalog Number	Weight kg (lb)
Plastic Mounting Bases	20 (0.79)	Black	XVEZ13	0.040 (0.09)
	100 (3.94)	Black	XVDC02	0.056 (0.12)
Mounting Bases (Aluminum Support Tube Glued into a Plastic Mounting Plate)	80 (3.15)	Black aluminum	XVBZ02	0.110 (0.24)
		Aluminum	XVBZ02A	0.110 (0.24)
	380 (14.96)	Black aluminum	XVBZ03	0.200 (0.44)
		Aluminum	XVBZ03A	0.200 (0.44)
	780 (30.71)	Black aluminum	XVBZ04	0.325 (0.72)
		Aluminum	XVBZ04A	0.325 (0.72)

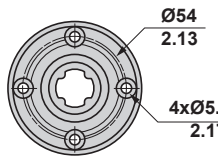
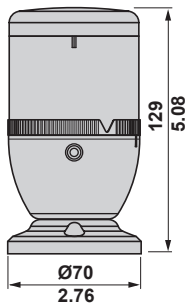
Description	For	Material	Catalog Number	Weight kg (lb)
Mounting Plate	Ø 25 mm (0.98 in) aluminum support tube (to be glued into mounting plate)	Plastic	XVBZ01	0.050 (0.11)
Mounting Plate for use on Vertical Support	Mounting beacons and indicator banks (requires a mounting base)	Zamak	XVBC12	0.380 (0.84)

### Accessories

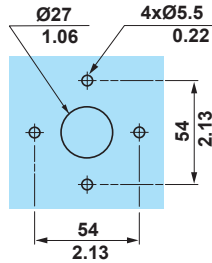
Description	For use with	Composition	Catalog Number	Weight kg (lb)
Cover	Tower lights and beacons	—	XVEZ081	0.010 (0.02)
IP 54 Sealing Kit	Tower lights	5 toric seals for lens units + base unit seal + 1 mounting plate seal + 1 seal for mounting base XVEZ13 + screw mounting cover	XVEZ082	0.015 (0.03)
	Beacons	1 lens unit seal + 1 base unit seal + 2 mounting base seals	XVEZ083	0.005 (0.01)

Description	Electrical Specifications	Sold in lots of	Catalog Number	Weight kg (lb)
Incandescent Bulbs with BA 15d Base for XVEL3● and XVE C3●	5 W 24 Vdc	10	DL1BEBS	0.100 (0.22)
	5 W 120 Vdc	10	DL1BEGS	0.100 (0.22)
	5 W 230 Vdc	10	DL1BEMS	0.100 (0.22)
Description	Application	Catalog Number	Weight kg (lb)	
Bulb Mounting and Removal Tool		XVPCX13	0.015 (0.03)	

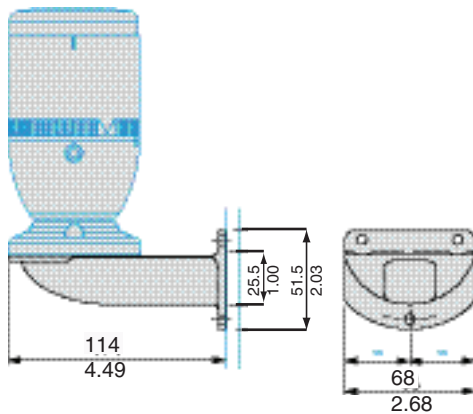
## Illuminated Beacons XVEL●●●



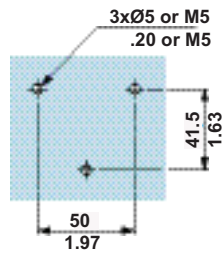
### Panel Cut-out for Mounting Directly on Mounting Base



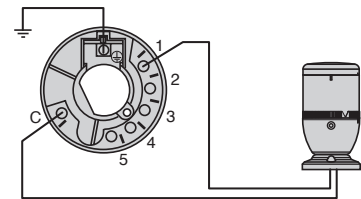
### Mounting on Mounting Plate XVBC12



### Vertical Support Panel Drillings for Mounting Plate XVBC12

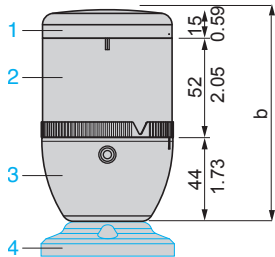


### Wiring Scheme



Dimensions  $\frac{\text{mm}}{\text{in.}}$

#### Tower Lights XVEC●●●



- 1 Cover XVEZ081 or cover XVEC21/C21P (with base unit),
- 2 Illuminated units XVEC●●● and/or audible unit XVEC9●●,
- 3 Base unit XVEC21/C21P,
- 4 Mounting bases (see below).

#### Height of Indicator Bank

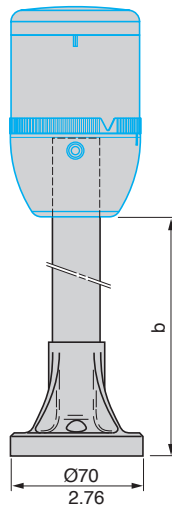
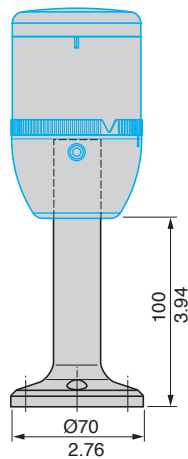
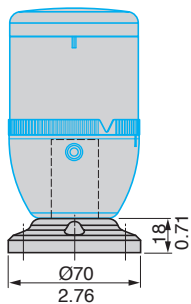
Number of Units (ref. 2)	b (mm (in))
1	111 (4.37)
2	163 (6.42)
3	215 (8.46)
4	267 (10.51)
5	319 (12.56)

#### Mounting Bases (height under base unit)

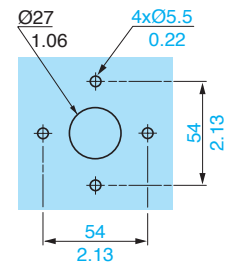
XVEZ13

XVDC02

XVB0●●



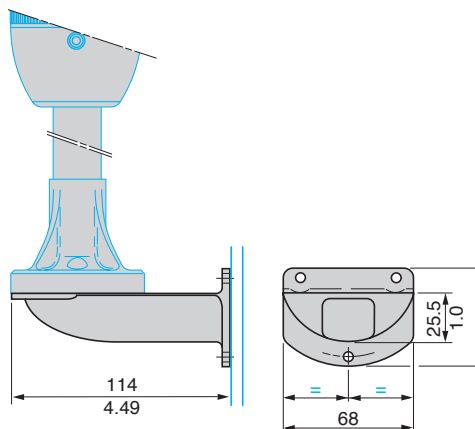
#### Drilling Plan



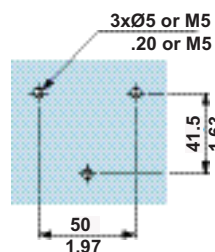
#### Height Under Base Unit

Mounting Base	b (mm (in))
XVBZ02/Z02A	80 (3.15)
XVBZ03/Z03A	380 (14.31)
XVBZ04/Z04A	780 (30.71)

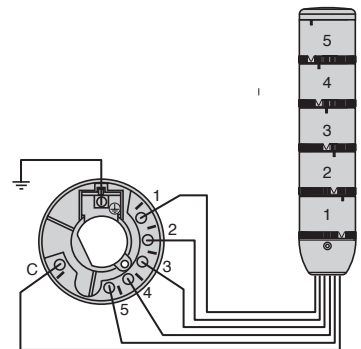
#### Mounting Plate XVBC12



#### Drilling Plan for Mounting Plate XVBC12



#### Wiring Scheme

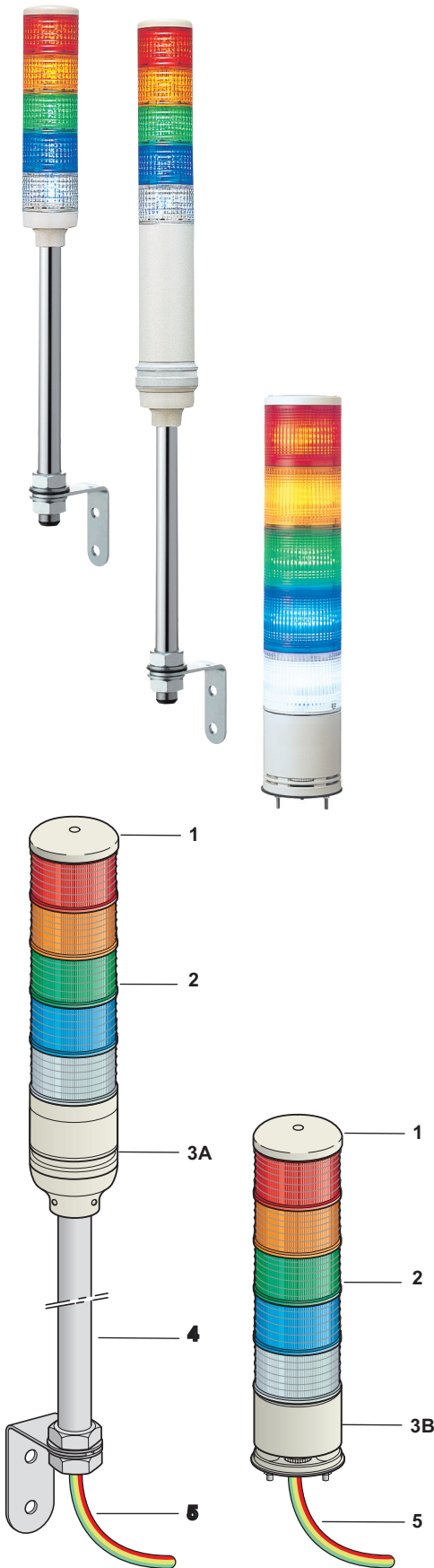


Dimensions  $\frac{\text{mm}}{\text{in.}}$

# Tower Lights and Beacons

## Preassembled Tower Lights

### Harmony® XVC



#### Introduction

Harmony XVC tower lights are designed for long-distance indication of the operating states or sequences of a machine with illuminated signaling units or adjustable audible buzzer.

- Available in 40, 60 and 100 mm diameter sizes:
  - XVC4 (40 mm) tower lights are used in the food-processing and medical sectors.
  - XVC6 (60 mm) tower lights are used in semi-conductor factories, on conveyor belts, and on small food or drink dispensing machines in the commercial sector.
  - XVC1 (100 mm) tower lights are particularly designed for industrial applications and machine-tools.
- The entire range provides an IP 54 degree of protection.
- XVC tower lights are supplied:
  - with 1, 2, 3, 4, or 5 illuminated signaling units
  - with or without a buzzer
  - preassembled and pre-wired
  - with a support tube and bracket for mounting on a vertical support or 3 screws for direct mounting on a horizontal surface

#### Illuminated signaling

Several lens unit colors are available:

- 5 colors (red, orange, green, blue, and clear)
- Lens colors are always placed in that order, from top to bottom.
- The light source consists of super-bright LEDs for optimum luminosity.

#### Audible signaling

The tower light may be supplied with an audible, signaling unit buzzer located in the base of the unit.

For 60 mm or 100 mm tower lights equipped with a buzzer, the type of signal (continuous or intermittent) can be reversed by modifying the cable connections.

A potentiometer is also present in the base for adjusting the audible signaling volume, up to a value of:

- 85 decibels for XVC1●●K and XVC1●●SK (equipped with a buzzer),

#### Cabling

XVC tower lights include a color coded, pre-wiring harness with a wiring diagram label.

XVC tower lights are preassembled and pre-wired at the factory and cannot be modified because the wires are soldered.

#### Description

The XVC tower lights assembly is comprised of:

- 1 A cover.
- 2 1, 2, 3, 4, or 5 colored illuminated signaling units (red, orange, green, blue, or clear). Each illuminated unit is equipped with a super-bright LED.
- 3 A base mounted on a support tube **3A**, or a base fitted with three screws **3B** for direct mounting on a horizontal surface.
- 4 A chromium plated steel support tube mounted on a bracket, for mounting on a vertical support.
- 5 A color-coded, pre-wiring harness.



# Tower Lights and Beacons

Preassembled Tower Lights

40 and 60 mm Diameter

Harmony® XVC

Environment Specifications						
		XVC4B● XVC4B●5S XVC4B●K	XVC6B● XVC6B●5S XVC6B●K XVC6B●5SK	XVC4M● XVC4M●5S	XVC6M● XVC6M●5S XVC6M●K XVC6M●5SK	
<b>Product Certifications</b>		CE, UL recognized EI64353, CCN NKCR, CSA LR44087 CLASS 311-03, RoHS				
<b>Conformity to Standards</b>		EN/IEC 61000-6-2 EN/IEC 61000-6-3 UL508, CSA 22.2 No. 14	EN/IEC 61000-6-2 EN/IEC 61000-6-3 EN/IEC 61000-6-4 UL508, CSA 22.2 No. 14	EN/IEC 60947-1 EN/IEC 60947-5-1 UL508, CSA 22.2 No. 14		
<b>Protective Treatment</b>	Conforming to UTE C63-100	"TC"				
<b>Ambient Air Temperature</b>	Storage	°C (°F) - 35...+ 70 (- 31...+ 158)				
	Operation	°C (°F) - 10...+ 50 (- 14...+ 122)				
<b>Electric Shock Protection</b> conforming to EN/IEC 61140	Mounted on support tube	Class I				
	Mounted on base	Class II			Class I	
<b>Degree of Protection</b> conforming to EN/IEC 60529	Mounted on support tube	IP 54 (Flat surface installation)				
	Mounted on base	IP 23 (Vertical surface installation) IP 54 (Flat surface installation)				
<b>Material</b>	Top cover	PBT + ABS (UL94HB)			PBT + ABS (UL94V-0)	
	Illuminated lens unit	PC (polycarbonate)				
	Base	ABS or PBT + ABS				
	Support tube	SGP steel (chromium-plated)	STK steel (chromium-plated)	SGP steel (chromium-plated)	STK steel (chromium-plated)	
	L-shape mounting bracket	SPCC (Cr3 + chromium-plated)				
<b>Light source</b>		LED				
Electrical Specifications						
<b>Rated Voltage</b>		<b>V</b>	24 Vac/dc		100 - 240 Vac/dc	
<b>Rated Impulse withstand Voltage</b>		<b>kV</b>	0.8		4	
<b>Consumption</b>  - at rated voltage (for XVC4B● / XVC6B●)  - at 100 Vac (for XVC4M● / XVC6M●)	Steady light	1 unit	<b>mA</b>	25	30	35
		2 units	<b>mA</b>	50	45	50
		3 units	<b>mA</b>	75	60	
		4 units	<b>mA</b>	100	75	
		5 units	<b>mA</b>	125	90	
	Steady/flashing light with buzzer	1 unit	<b>mA</b>	65	50	60
		2 units	<b>mA</b>	90	65	75
		3 units	<b>mA</b>	115	80	85
		4 units	<b>mA</b>	140	95	100
		5 units	<b>mA</b>	165	110	115
<b>Audible Units</b>	Sound level (continuous or intermittent tone) at 1 m	<b>dB</b>	70...85			
	Fundamental frequency	<b>kHz</b>	2.23			
<b>Flashing Frequency of Illuminated Units</b>		<b>Hz</b>	1			
<b>Connection</b>	Cable diameter	<b>mm<sup>2</sup></b>	Wire c.s.a. 0.33 mm <sup>2</sup> / AWG 22 (1)		Wire c.s.a. 0.33 mm <sup>2</sup> / AWG 22 (1) Wire c.s.a. 0.83 mm <sup>2</sup> / SPT-1 AWG 18 (1)	
	Cable length	<b>mm (in)</b>	600 (23.62) for XVC4B● 900 (35.43) for XVC4B●5S 500 (19.68) for XVC4B●K	600 (23.62) for XVC6B● 550 (21.65) for XVC6B●5S 850 (33.46) for XVC6B●K and XVC6B●5SK	450 (17.71)  XVC6M● : - 450 (17.71) signal - 550 (21.65) power - 550 (21.65) ground  XVC6M●5S : - 450 (17.71) signal - 450 (17.71) power - 450 (17.71) ground XVC6M●K and  XVC6M●5SK : - 750 (29.53) signal - 850 (33.46) power - 850 (33.46) ground	

(1) AWG : American Wire Gauge.

# Tower Lights and Beacons

Preassembled Tower Lights

100 mm Diameter

Harmony® XVC

Environment Specifications				
Type of Tower Light		XVC1B●K XVC1B●SK	XVC1M●K XVC1M●SK	
Product Certifications		CE, UL recognized EI64353, CCN NKCR, CSA LR44087 CLASS 311-03, RoHS		
Conformity to Standards		EN/IEC 61000-6-2 EN/ IEC 61000-6-3 EN/IEC 61000-6-4 UL508 CSA 22.2 No. 14	EN/IEC 60947-1 EN/IEC 60947-5-1 UL508 CSA 22.2 No. 14	
Protective Treatment	Conforming to UTE C63-100	"TC"		
Ambient Air Temperature	Storage	°C (°F)	- 35...+ 70 (- 31...+ 158)	
	Operation	°C (°F)	- 30...+ 50 (- 22...+ 122)	
Electric Shock Protection conforming to EN/IEC 61140	Mounted on support tube	—		
	Mounted on base	Class II	Class I	
Degree of Protection conforming to EN/IEC 60529	Mounted on support tube	—		
	Mounted on base	IP 54 (Flat surface installation)		
Material	Top cover	PBT + ABS (UL94-V0)		
	Illuminated lens unit	PC (polycarbonate)		
	Base	PBT + ABS (UL94-V0)		
	Support tube	—		
	L mounting bracket	—		
Light Source		LED		
Electrical Specifications				
Rated Voltage		V	24 Vdc 100 - 240 Vac	
Rated Impulse withstand Voltage		kV	0.8 4	
Consumption - at rated voltage (for XVC1B●)  - at 100 Vac (for XVC1M●)	Steady/flashing light	1 unit	mA	100 75
		2 units	mA	200 120
		3 units	mA	300 160
		4 units	mA	400 215
		5 units	mA	500 270
	Steady/flashing light with buzzer	1 unit	mA	150 85
		2 units	mA	250 130
		3 units	mA	350 170
		4 units	mA	450 230
		5 units	mA	550 280
Audible Units	Sound level at 1 m	dB	60...85 (continuous or intermittent tone)	
Flashing Frequency of Illuminated Units		Hz	0.7...3	
Connection	Cable diameter	Wire c.s.a.: 0.33 mm <sup>2</sup> / 22 AWG (1) Wire c.s.a.: 0.83 mm <sup>2</sup> / 18 AWG (1)		
	Cable length	mm (in)	500 (19.68)	

(1) AWG: American Wire Gauge.

# Tower Lights and Beacons

Preassembled Tower Lights

40 mm Diameter

Harmony® XVC



XVC4B5

XVC4B55S

## Complete, Pre-wired Tower Lights 40 mm Diameter

Description	Light Source (included)	Voltage	Signaling Colors (1)		Catalog Number	Weight kg (lb)
			Steady	Flashing (2)		
<b>For Support Tube Mounting, 17 mm</b>						
<b>Without Buzzer</b>	LED for steady light only	24 Vac/dc	R	—	<b>XVC4B1</b>	0.500 (1.10)
			R, O	—	<b>XVC4B2</b>	0.520 (1.15)
			R, O, G	—	<b>XVC4B3</b>	0.540 (1.19)
			R, O, G, B	—	<b>XVC4B4</b>	0.560 (1.23)
			R, O, G, B, C	—	<b>XVC4B5</b>	0.580 (1.28)
	100-240 Vac	R	—	<b>XVC4M1</b>	0.720 (1.59)	
		R, O	—	<b>XVC4M2</b>	0.750 (1.65)	
		R, O, G	—	<b>XVC4M3</b>	0.780 (1.72)	
		R, O, G, B	—	<b>XVC4M4</b>	0.810 (1.79)	
		R, O, G, B, C	—	<b>XVC4M5</b>	0.840 (1.85)	
<b>With Buzzer + Flashing Light</b>	LED for steady or flashing light	24 Vac/dc	R	R	<b>XVC4B15S</b>	0.600 (1.32)
			R, O	R, O	<b>XVC4B25S</b>	0.620 (1.37)
			R, O, G	R, O, G	<b>XVC4B35S</b>	0.640 (1.41)
			R, O, G, B	R, O, G, B	<b>XVC4B45S</b>	0.660 (1.46)
			R, O, G, B, C	R, O, G, B, C	<b>XVC4B55S</b>	0.680 (1.50)
	100-240 Vac	R	R	<b>XVC4M15S</b>	0.740 (1.63)	
		R, O	R, O	<b>XVC4M25S</b>	0.770 (1.70)	
		R, O, G	R, O, G	<b>XVC4M35S</b>	0.800 (1.76)	
		R, O, G, B	R, O, G, B	<b>XVC4M45S</b>	0.830 (1.83)	
		R, O, G, B, C	R, O, G, B, C	<b>XVC4M55S</b>	0.860 (1.90)	

## For Base Mounting

<b>Without Buzzer</b>	LED for steady light only	24 Vac/dc	R	—	<b>XVC4B1K</b>	0.100 (0.22)
			R, O	—	<b>XVC4B2K</b>	0.120 (0.26)
			R, O, G	—	<b>XVC4B3K</b>	0.140 (0.31)
			R, O, G, B	—	<b>XVC4B4K</b>	0.160 (0.35)
			R, O, G, B, C	—	<b>XVC4B5K</b>	0.180 (0.40)

## Accessories for Support Tube Mounting

Description	Diameter mm (in)	Minimum Height to be Added mm (in)	Catalog Number	Weight kg (lb)
<b>Die-cast Metal Mounting Base</b> (3)	90	32	<b>XVCZ11</b>	0.100 (0.22)
<b>Plastic Mounting Base</b> (4)	84	24.5	<b>XVCZ01</b>	0.060 (0.13)
<b>Wall Mounting Bracket</b> (5)	—	82	<b>XVCZ31</b>	0.130 (0.29)



XVCZ11



XVCZ01



XVCZ31

(1) Signaling colors: R: Red, O: Orange, G: Green, B: Blue, C: Clear. The colors are listed in the same order as the mounting order of the illuminated units (from top to bottom).

(2) Flashing function can be simply selected/programmed by wiring.

(3) For use with XVC4B● and XVC4B●5S

(4) For use with XVC4B● and XVC4B●5S (customer must discard the support tube)

(5) For use with XVC4B● and XVC4B●5S

# Tower Lights and Beacons

Preassembled Tower Lights

60 mm Diameter

Harmony® XVC



XVC6B5

XVC6M5



XVC6B5K

XVC6M5K



XVCZ02



XVCZ12



XVCZ32

## Complete, Pre-wired Tower Lights 60 mm Diameter

Description	Light Source (included)	Voltage	Signaling Colors (1)		Catalog Number	Weight kg (lb)
			Steady	Flashing (2)		
<b>For Support Tube Mounting, 22 mm</b>						
<b>Without Buzzer</b>	LED for steady light only	24 Vac/dc	R	—	XVC6B1	0.700 (1.54)
			R, O	—	XVC6B2	0.740 (1.63)
			R, O, G	—	XVC6B3	0.780 (1.72)
			R, O, G, B	—	XVC6B4	0.820 (1.81)
			R, O, G, B, C	—	XVC6B5	0.860 (1.90)
		100-240 Vac	R	—	XVC6M1	0.960 (2.12)
			R, O	—	XVC6M2	1.020 (2.25)
			R, O, G	—	XVC6M3	1.070 (2.36)
			R, O, G, B	—	XVC6M4	1.120 (2.47)
			R, O, G, B, C	—	XVC6M5	1.180 (2.60)
<b>With Buzzer + Flashing Light</b>	LED for steady or flashing light	24 Vac/dc	R	R	XVC6B15S	0.900 (1.98)
			R, O	R, O	XVC6B25S	0.940 (2.07)
			R, O, G	R, O, G	XVC6B35S	0.980 (2.16)
			R, O, G, B	R, O, G, B	XVC6B45S	1.020 (2.25)
			R, O, G, B, C	R, O, G, B, C	XVC6B55S	1.060 (2.34)
		100-240 Vac	R	R	XVC6M15S	1.010 (2.23)
			R, O	R, O	XVC6M25S	1.070 (2.36)
			R, O, G	R, O, G	XVC6M35S	1.120 (2.47)
			R, O, G, B	R, O, G, B	XVC6M45S	1.170 (2.58)
			R, O, G, B, C	R, O, G, B, C	XVC6M55S	1.230 (2.71)

## For Base Mounting

<b>Without Buzzer</b>	LED for steady light only	24 Vac/dc	R	—	XVC6B1K	0.200 (0.44)
			R, O	—	XVC6B2K	0.250 (0.55)
			R, O, G	—	XVC6B3K	0.300 (0.66)
			R, O, G, B	—	XVC6B4K	0.350 (0.77)
			R, O, G, B, C	—	XVC6B5K	0.400 (0.88)
		100-240 Vac	R	—	XVC6M1K	0.440 (0.97)
			R, O	—	XVC6M2K	0.500 (1.10)
			R, O, G	—	XVC6M3K	0.550 (1.21)
			R, O, G, B	—	XVC6M4K	0.600 (1.32)
			R, O, G, B, C	—	XVC6M5K	0.660 (1.46)
<b>With Buzzer + Flashing Light</b>	LED for steady or flashing light	24 Vac/dc	R	R	XVC6B15SK	0.200 (0.44)
			R, O	R, O	XVC6B25SK	0.250 (0.55)
			R, O, G	R, O, G	XVC6B35SK	0.300 (0.66)
			R, O, G, B	R, O, G, B	XVC6B45SK	0.350 (0.77)
			R, O, G, B, C	R, O, G, B, C	XVC6B55SK	0.400 (0.88)
		100-240 Vac	R	R	XVC6M15SK	0.490 (1.08)
			R, O	R, O	XVC6M25SK	0.550 (1.21)
			R, O, G	R, O, G	XVC6M35SK	0.600 (1.32)
			R, O, G, B	R, O, G, B	XVC6M45SK	0.650 (1.43)
			R, O, G, B, C	R, O, G, B, C	XVC6M55SK	0.710 (1.57)

## Accessories for Support Tube Mounting and Base Mounting

Description	For Use With	Diameter mm (in)	Minimum Height to be Added mm (in)	Catalog Number	Weight kg (lb)
<b>Die-cast Metal Mounting Base for Support-tube Mounting</b>	XVC6●● and XVC6●●5S	100 (3.94)	30 (1.18)	XVCZ02	0.080 (0.18)
<b>Stamped Metal Plate for Base Mounting</b>	XVC6●● K and XVC6●●5SK	84 (3.31)	21.6 (0.85)	XVCZ12	0.100 (0.22)
<b>Wall Mounting Bracket for Support-tube Mounting</b>	XVC6●● and XVC6●●5S	—	82 (3.23)	XVCZ32	0.130 (0.29)

(1) Signaling colors: R: Red, O: Orange, G: Green, B: Blue, C: Clear. The colors are listed in the same order as the mounting order of the illuminated units (from top to bottom).

(2) Flashing function can be simply selected/programmed by wiring.

# Tower Lights and Beacons

Preassembled Tower Lights

100 mm Diameter

Harmony® XVC



XVC1●5K  
XVC1●5SK



XVCZ13

## Complete, Pre-wired Tower Lights 100 mm Diameter

Description	Light Source (included)	Voltage	Signaling Colors (1)		Catalog Number	Weight kg (lb)
			Steady	Flashing (2)		
<b>For Base Mounting</b>						
<b>Without Buzzer With Flashing Light</b>	LED for steady or flashing light	24 Vdc	R	R	<b>XVC1B1K</b>	0.700 (1.54)
			R, O	R, O	<b>XVC1B2K</b>	0.900 (1.98)
			R, O, G	R, O, G	<b>XVC1B3K</b>	1.100 (2.43)
			R, O, G, B	R, O, G, B	<b>XVC1B4K</b>	1.300 (2.87)
			R, O, G, B, C	R, O, G, B, C	<b>XVC1B5K</b>	1.500 (3.31)
		100-240 Vac	R	R	<b>XVC1M1K</b>	1.000 (2.20)
			R, O	R, O	<b>XVC1M2K</b>	1.200 (2.65)
			R, O, G	R, O, G	<b>XVC1M3K</b>	1.400 (3.07)
			R, O, G, B	R, O, G, B	<b>XVC1M4K</b>	1.600 (3.53)
			R, O, G, B, C	R, O, G, B, C	<b>XVC1M5K</b>	1.800 (3.97)
<b>With Buzzer + Flashing Light</b>	LED for steady or flashing light	24 Vdc	R	R	<b>XVC1B1SK</b>	0.700 (1.54)
			R, O	R, O	<b>XVC1B2SK</b>	0.900 (1.98)
			R, O, G	R, O, G	<b>XVC1B3SK</b>	1.100 (2.43)
			R, O, G, B	R, O, G, B	<b>XVC1B4SK</b>	1.300 (2.87)
			R, O, G, B, C	R, O, G, B, C	<b>XVC1B5SK</b>	1.500 (3.31)
		100-240 Vac	R	R	<b>XVC1M1SK</b>	1.050 (2.31)
			R, O	R, O	<b>XVC1M2SK</b>	1.250 (2.76)
			R, O, G	R, O, G	<b>XVC1M3SK</b>	1.450 (3.20)
			R, O, G, B	R, O, G, B	<b>XVC1M4SK</b>	1.650 (3.64)
			R, O, G, B, C	R, O, G, B, C	<b>XVC1M5SK</b>	1.850 (4.08)

## Accessories for Mounting on Vertical Support

Description	For Use With	Diameter mm (in)	Height mm (in)	Catalog Number	Weight kg (lb)
<b>Mount Tube and Base</b>	XVC1●●K and XVC1●●SK	140 (5.51)	300 (11.81)	<b>XVCZ13</b>	0.700 (1.54)
<b>L-shape Mount Bracket</b>	XVC1●●K and XVC1●●SK	—	—	<b>XVCZ23</b>	0.380 (0.84)

(1) Signaling colors: R: Red, O: Orange, G: Green, B: Blue, C: Clear. The colors are listed in the same order as the mounting order of the illuminated units (from top to bottom).

(2) Flashing function can be simply selected/programmed by wiring.

# Tower Lights and Beacons

Preassembled Tower Lights

40 mm Diameter

Harmony® XVC

## Preassembled and Pre-wired Tower Lights

With Support Tube Mounting

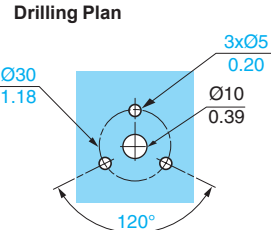
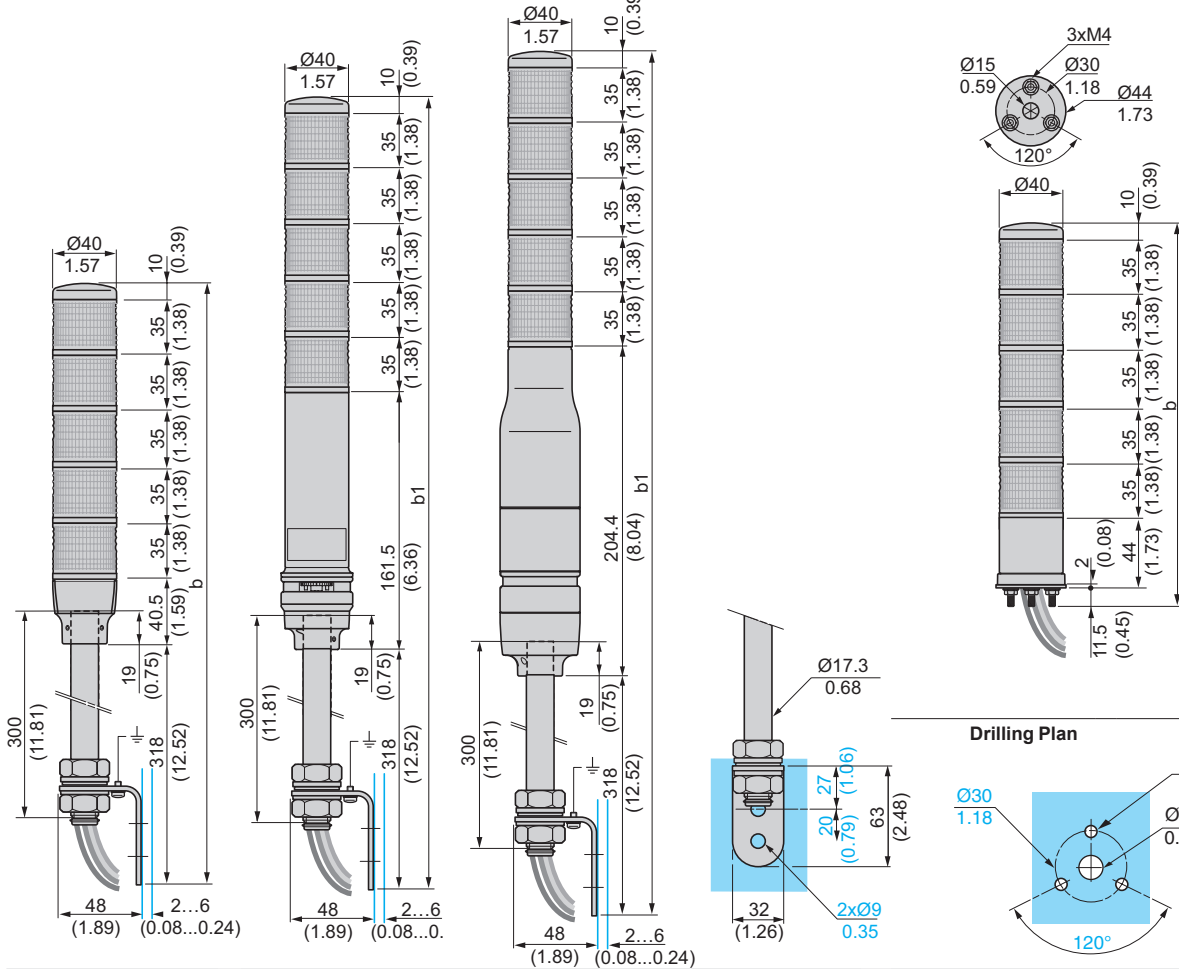
XVC4B●

XVC4B●5S

XVC4M●, XVC4M●5S

For Direct Mounting on Horizontal Support

XVC4B●K



### Height of Preassembled and Pre-wired Tower Lights

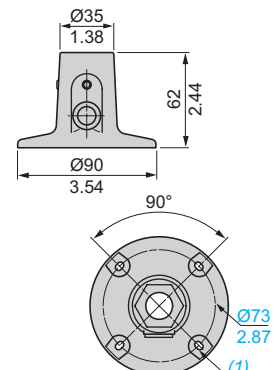
No. of Illuminated Units	b Without Buzzer mm (in)	b1 With buzzer mm (in)		No. of Illuminated Units	b Without Buzzer mm (in)
		XVC4B●5S	XVC4M●, XVC4M●5S		
1 stage	403.5 (15.89)	524.5 (20.65)	567.2 (22.33)	1 stage	100.5 (3.96)
2 stages	438.5 (17.26)	559.5 (22.03)	602.2 (23.71)	2 stages	135.5 (5.33)
3 stages	473.5 (18.64)	594.5 (23.41)	637.2 (28.09)	3 stages	170.5 (6.71)
4 stages	508.5 (20.02)	629.5 (24.78)	672.2 (26.46)	4 stages	205.5 (8.09)
5 stages	543.5 (21.40)	664.5 (26.16)	707.2 (27.84)	5 stages	240.5 (9.47)

### Accessories for Tower Lights Type XVC4●● and XVC4●●5S

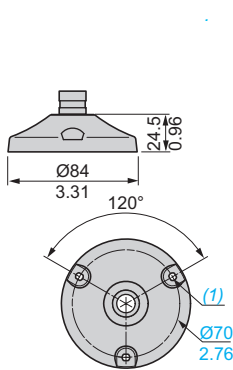
Die-cast Metal Mounting Base, XVCZ11

Plastic Mounting Base, XVCZ01

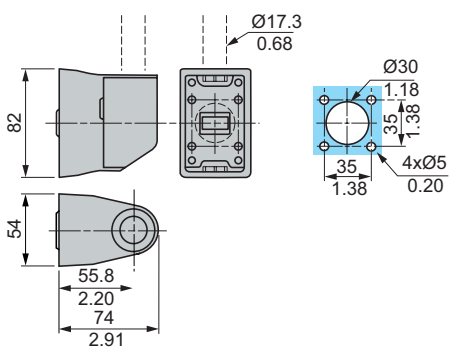
Wall Mounting Bracket, XVCZ31



(1) 4 elongated holes Ø 4.2 x 5.



(1) 3 elongated holes Ø 4.2 x 5



Dimensions mm  
in.

# Tower Lights and Beacons

Preassembled Tower Lights

60 mm Diameter

Harmony® XVC

## Preassembled and Pre-wired Tower Lights

With Support Tube Mounting

For Mounting on Horizontal Support  
(direct or with mounting plate)

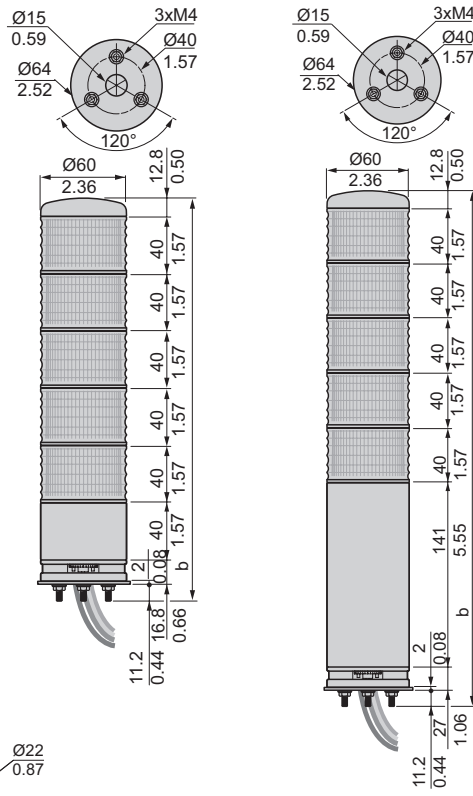
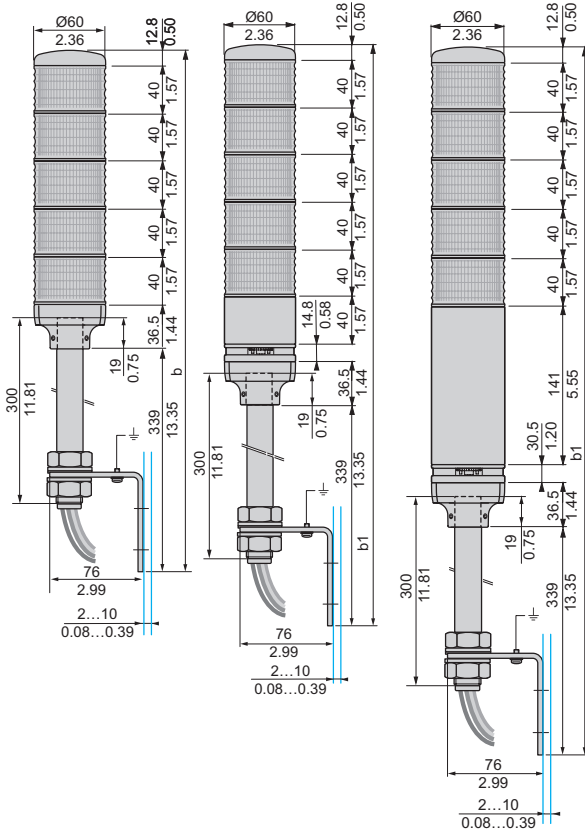
XVC6B●

XVC6B●5S

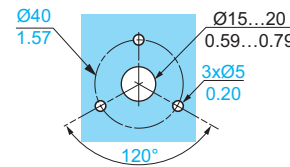
XVC6M●,  
XVC6M●5S

XVC6B●K,  
XVC6B●5SK

XVC6M●K, XVC6M●5SK



Drilling Plan



### Height of Preassembled and Pre-wired Tower Lights

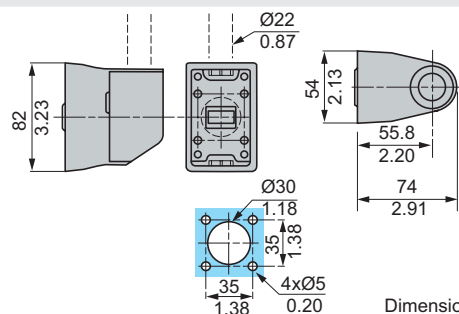
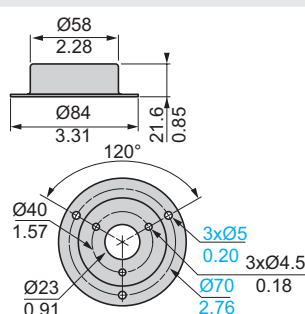
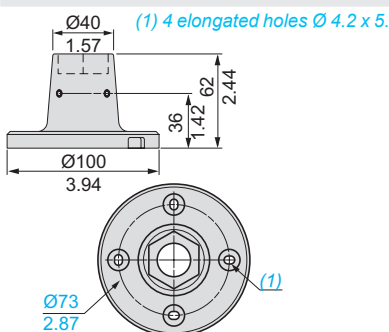
No. of Illuminated Units	b without Buzzer mm (in)	b1 with Buzzer mm (in)		No. of Illuminated Units	b with or without Buzzer mm (in)	
		XVC6B●5S	XVC6M●, XVC6M●5S		XVC6B●K, XVC6B●5SK	XVC6M●K, XVC6M●5SK
1 stage	428.3 (16.86)	483.1 (19.02)	599.8 (23.61)	1 stage	120.8 (4.76)	232 (9.13)
2 stages	468.3 (18.44)	523.1 (20.59)	639.8 (25.19)	2 stages	160.8 (6.33)	272 (10.71)
3 stages	508.3 (20.01)	563.1 (22.17)	679.8 (26.76)	3 stages	200.8 (7.91)	312 (12.28)
4 stages	548.3 (21.59)	603.1 (23.74)	719.8 (28.34)	4 stages	240.8 (9.48)	352 (13.86)
5 stages	588.3 (23.16)	643.1 (25.32)	759.8 (29.91)	5 stages	280.8 (11.06)	392 (14.43)

### Accessories for Mounting on Horizontal Support

Die-cast Metal Mounting Base XVCZ02 for XVC6

Stamped Metal Plate XVCZ12 for XVC6●●K/XVC6●●5SK

Wall Mounting Bracket XVCZ32 for XVC6●●/6●●5S



Dimensions mm  
in.

# Tower Lights and Beacons

Preassembled Tower Lights

100 mm Diameter

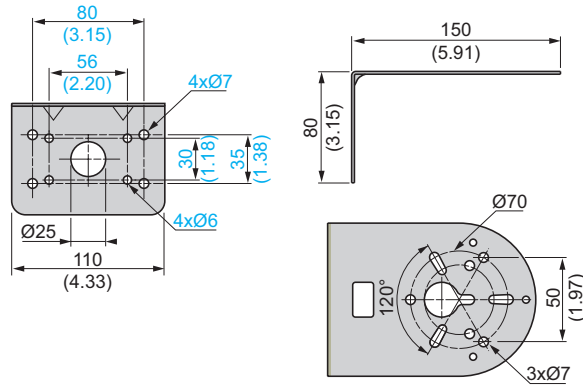
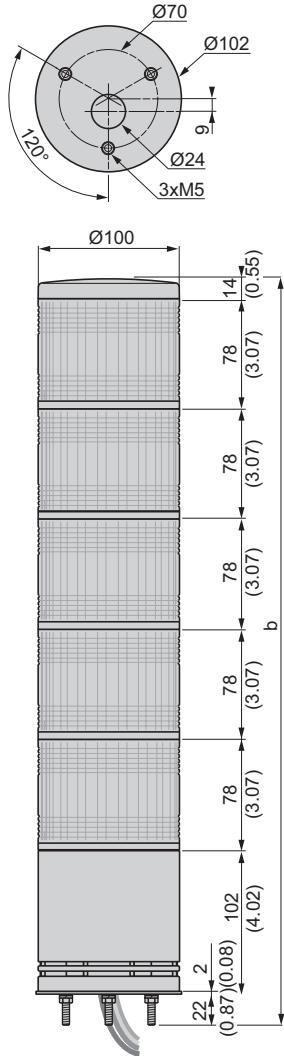
Harmony® XVC

## Preassembled and Pre-wired Tower Lights

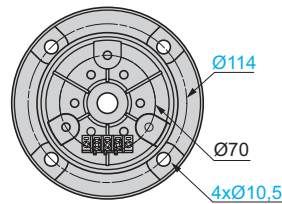
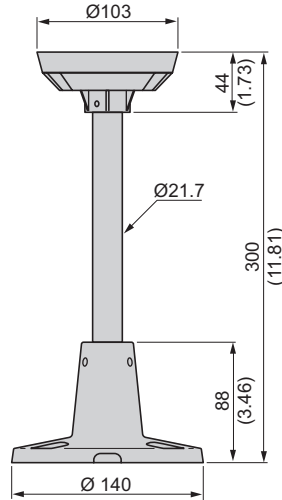
For Mounting on Horizontal Support (direct or with L-shaped Mount Bracket)

XVC1●●K, XVC1●●SK Tower Lights

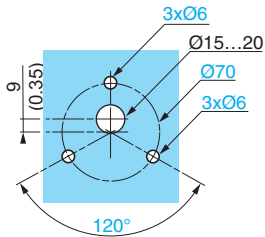
XVCZ23 L-shape Mount Bracket



## XVCZ13 Mount Tube and Base



## Drilling Plan



Dimensions  $\frac{\text{mm}}{\text{in.}}$

## Height of Preassembled and Pre-wired Tower Lights

No. of Illuminated Units	b mm (in)
1	216 (8.50)
2	294 (11.57)
3	372 (14.65)
4	450 (17.72)
5	528 (20.79)



### Introduction

The Harmony XVR rotating mirror beacons are pre-wired with superbright LEDs for long-distance visual signaling. They can be used for most industrial applications; including: fork lifts, cranes, and hoists.

### Environment Specifications

Rotating Beacons Type		XVR08	XVR10	XVR12	XVR13B●●●	XVR13●●●L
<b>Product Certifications</b>		CE, UL Recognized E164353 CCN NKCR, CSA LR44087 Class 3211-03, RoHS				
<b>Conforming to Standards</b>		UL 508, CSA 22.2 No. 14				EN/IEC 60947-1 EN/IEC 60947-5-1 UL 508 CSA 22.2 No. 14
<b>Protective Treatment</b>	Conforming to UTE C63-100	"TC"				
<b>Ambient Air Temperature</b>	For storage	°C (°F) -35...+70 (-31...+158)				
	For operation	°C (°F) -10...+50 (-14...+122)		-30...+50 (-22...+122)		
<b>Electric Shock Protection</b> conforming to IEC 61140		Class II				
<b>Degree of Protection</b> conforming to IEC 60529		IP 23 (IP 65 with accessory)	IP 23 (IP 55 with accessory)	IP 23	IP 66 (resistant to vibration)	IP 66 and IP 67
<b>Material</b>	Domed lens unit	PC				
	Base	ABS				
<b>Light Source</b>		Super-bright LED				

### Electrical Specifications

Rotating Beacons Type		XVR08J XVR10J XVR12J XVR12J●●S	XVR08B XVR10B XVR12B XVR12B●●S XVR13B●●L	XVR13J	XVR13B	XVR13G●●L	XVR13M●●L	
<b>Voltage</b>		V	12 Vac/dc	24 Vac/dc	12 Vdc	24 Vdc	120 Vac	230 Vac
<b>Rated Impulse Withstand Voltage</b>		kV	0.8			4		
<b>Consumption</b>	Without buzzer	W	3			5		
	With buzzer (for XVR12●●●S)	W	4	4.7	-			
<b>Audible Units with Continuous or Intermittent Tone</b> (short/long or high/low)	For XVR12●●●S Sound level at 1 m	dB	50...90					
<b>Flashing Frequency of Illuminated Units</b>		Hz	2.3 2.7 for XVR13					
<b>Connection</b>	Wire c.s.a	mm <sup>2</sup>	0.83 mm <sup>2</sup> / SPT-1 18 AWG (1) for XVR08●, XVR10● and XVR12● 0.83 mm <sup>2</sup> / UL1007 18 AWG (1) for XVR12●●●S 1.25 mm <sup>2</sup> / VCT for XVR13					
	Cable length	mm (in)	400 500 for XVR08●					

(1) AWG: American Wire Gauge.

# Tower Lights and Beacons

## Rotating Mirror Beacons

Harmony® XVR (equipped with super-bright LED)



XVR08●●●



XVR10●●●



XVR13●●●



XVR13●●●L



XVRZR1



XVRZ081

Complete, pre-wired rotating mirror beacons							
Diameter mm	Sound Option	IP Degree of Protection	Voltage V	Color	Catalog Number	Weight kg (lb)	
84	Without Buzzer	IP 23 (IP 65 With accessories)	12 Vac/dc	Red	XVR08J04	0.300 (0.66)	
				Orange	XVR08J05	0.300 (0.66)	
				Green	XVR08J03	0.300 (0.66)	
			24 Vac/dc	Blue	XVR08J06	0.300 (0.66)	
				Red	XVR08B04	0.300 (0.66)	
				Orange	XVR08B05	0.300 (0.66)	
	106	Without Buzzer	IP 23 (IP 55 With accessories)	12 Vac/dc	Red	XVR10J04	0.500 (1.10)
					Orange	XVR10J05	0.500 (1.10)
					Green	XVR10J03	0.500 (1.10)
				24 Vac/dc	Blue	XVR10J06	0.500 (1.10)
					Red	XVR10B04	0.500 (1.10)
					Orange	XVR10B05	0.500 (1.10)
120	Without Buzzer	IP 23	12 Vac/dc	Red	XVR12J04	0.500 (1.10)	
				Orange	XVR12J05	0.500 (1.10)	
				Green	XVR12J03	0.500 (1.10)	
			24 Vac/dc	Blue	XVR12J06	0.500 (1.10)	
				Red	XVR12B04	0.500 (1.10)	
				Orange	XVR12B05	0.500 (1.10)	
	120	With buzzer	IP 23	12 Vac/dc	Green	XVR12B03	0.500 (1.10)
					Blue	XVR12B06	0.500 (1.10)
					Red	XVR12J04S	0.500 (1.10)
				24 Vac/dc	Orange	XVR12J05S	0.500 (1.10)
					Green	XVR12J03S	0.500 (1.10)
					Blue	XVR12J06S	0.500 (1.10)
130	Without Buzzer	IP 66 Resistant to vibration	12 Vdc	Red	XVR13J04	0.800 (1.76)	
				Orange	XVR13J05	0.800 (1.76)	
			24 Vdc	Red	XVR13B04	0.800 (1.76)	
		Orange		XVR13B05	0.800 (1.76)		
		IP 66 and IP 67	24 Vac/dc	Red	XVR13B04L	0.820 (1.81)	
				Orange	XVR13B05L	0.820 (1.81)	
	Red			XVR13G04L	0.990 (2.18)		
	120 Vac		Orange	XVR13G05L	0.990 (2.18)		
			230 Vac	Red	XVR13M04L	0.990 (2.18)	
				Orange	XVR13M05L	0.990 (2.18)	

Accessories for rotating mirror beacons						
Description	Comments	For Use With	Height mm (in)	Catalog Number	Weight kg (lb)	
Reflecting Prism	Improves light diffusion	XVR08	–	XVRZR1	0.010 (0.02)	
		XVR10	–	XVRZR2	0.015 (0.03)	
		XVR12 & XVR13	–	XVRZR3	0.020 (0.04)	
Rubber Base	Increases IP rating	XVR08	–	XVRZ081	0.040 (0.09)	
		XVR10	–	XVRZ082	0.050 (0.11)	
Metal Angle Bracket	Horizontal support	XVR08, XVR10, XVR12	–	XVCZ23	0.380 (0.84)	
		XVR13	–	XVR012L	1.300 (2.87)	
Mounting Pole with Base	Horizontal support	XVR10, XVR12	300	XVCZ13	0.700 (1.54)	

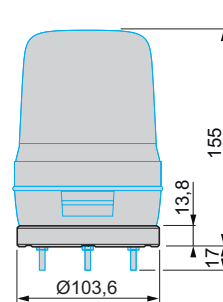
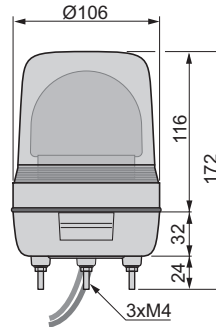
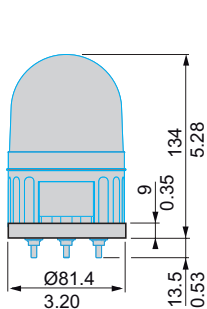
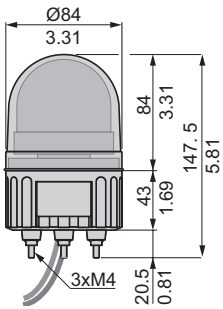
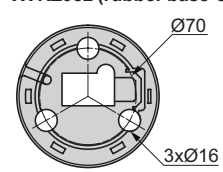
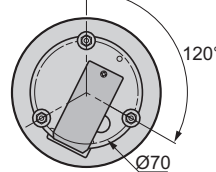
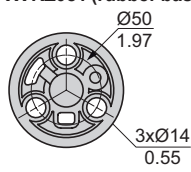
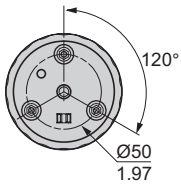
#### Complete, Pre-wired Rotating Mirror Beacons

##### XVR0800

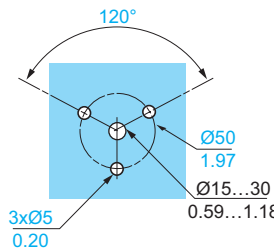
##### XVRZ081 (rubber base-optional part)

##### XVR1000

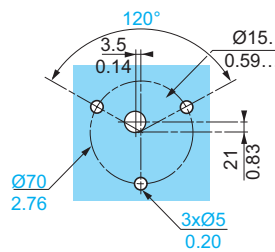
##### XVRZ082 (rubber base-optional part)



#### Drilling Plan



#### Drilling Plan



Dimensions  $\frac{\text{mm}}{\text{in.}}$

# Tower Lights and Beacons

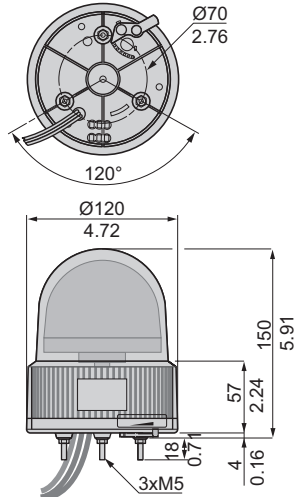
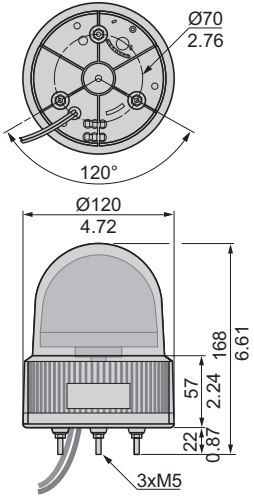
## Rotating Mirror Beacons

Harmony® XVR (equipped with super-bright LED)

**Complete, Pre-wired Rotating Mirror Beacons (continued)**

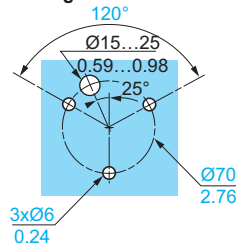
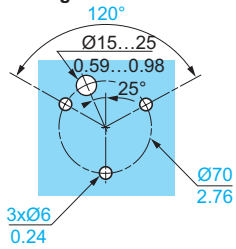
**XVR12•0•0**

**XVR12•0•S**



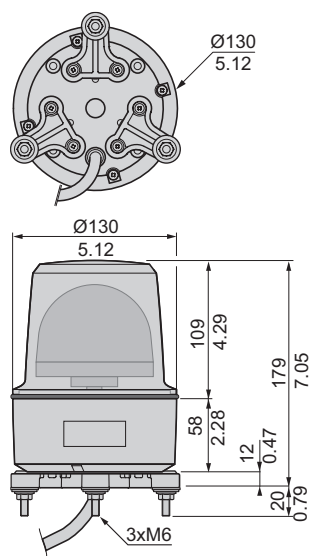
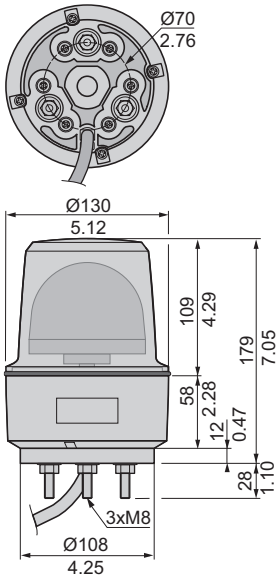
**Drilling Plan**

**Drilling Plan**



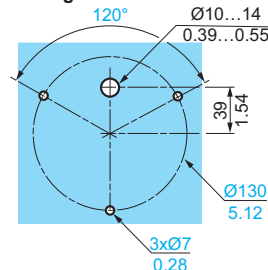
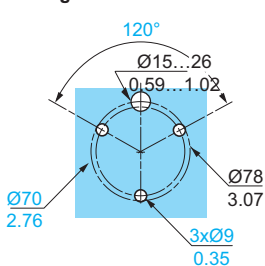
**XVR13•0•0**

**XVR13•0•L**



**Drilling Plan**

**Drilling Plan**



Dimensions  $\frac{\text{mm}}{\text{in.}}$

### Introduction

Harmony XVS sirens and electronic alarms are audible signaling units used for long-distance indication of the operating status or sequences of a machine or installation. Typical applications include conveyor belts, automated industrial trucks, and doors of electrical control panels.

### Specifications

Type of Siren or Alarm		XVS10BMW	XVS10GMW XVS10MMW	XVS14BMW	XVS14GMW XVS14MMW	XVS72BM●●	XVS96BM●●	
<b>Environment Specifications</b>								
<b>Product Certifications</b>		CE, UL Recognized EI64353, CCN UCST, CSA LR44087 Class 3211-03, RoHS						
<b>Conforming to Standards</b>		EN/IEC 60947-1 EN/IEC 60947-5-1 UL508 CSA22.4 No. 14		EN/IEC 61000-6-2, EN/IEC 61000-6-3, UL508, CSA22.4 No. 14	EN/IEC 60947-1, EN/IEC 60947-5-1, UL508, CSA22.4 No. 14	EN/IEC 61000-6-2, EN/IEC 61000-6-3, UL508, CSA22.4 No. 14	EN/IEC 60947-1, EN/IEC 60947-5-1, UL508, CSA22.4 No. 14	
<b>Protective Treatment</b>	Conforming to UTE C63-100	"TC"						
<b>Ambient Air Temperature</b>	Storage	°C (°F) -35...+70 (-31...+158)						
	Operation	°C (°F) -30...+50 (-22...+122)		-10...+50 (-14...+122)		-20...+50 (-4...+122)		
<b>Electric Shock Protection</b> conforming to EN/IEC 61140		Class II						
<b>Degree of Protection</b> conforming to EN/IEC 60529		IP 53				IP 54		
<b>Material</b>	Terminal cover	—				PC		
	Base	PC		PC/ABS		ABS	PC or ABS	
<b>Sound</b>	Number of options (tones)	2		43		16		
<b>Electrical Specifications</b>								
<b>Voltage</b>		<b>V</b>	12-24 Vac/dc	120 Vac 230 Vac	12/24 Vdc	120 Vac 240 Vac	12/24 Vdc	
<b>Rated Impulse Withstand Voltage</b>			0.8	4	0.8	4	0.8	
<b>Power Consumption</b>			12 Vac/dc: 500 mA 24 V Vac/dc: 300 mA	120 Vac: 80 mA 230 Vac: 40 mA	12 Vdc: 250 mA 24 Vdc: 350 mA	120 Vac: 100 mA 240 Vac: 50 mA	12 Vac/dc: 1.9/1.4 W 24 Vac/dc: 4.8/3 W	12 Vac/dc: 3.5/3 W 24 Vac/dc: 8.5/7 W
<b>Audible Units</b>	Sound level (continuous or intermittent tone) at 1 m	<b>dB</b>	106		0...105		0...90	0...96
<b>Cabling</b>	Cable diameter		Cable-gland for 6.5 to 8.5 mm customer wiring		Power wire c.s.a.: 0.52 mm <sup>2</sup> / 20 AWG (1)		Signal wire c.s.a.: 0.33 mm <sup>2</sup> / 22 AWG (1)	
	Maximum clamping capacity	<b>mm<sup>2</sup></b>	1 x 1.5		—		1 x 1.5	
	Cable length	<b>mm (in)</b>	—		500 (19.68)		—	

(1) AWG: American Wire Gauge.

#### Catalog Numbers



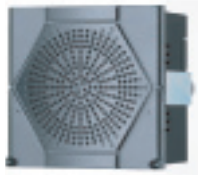
XVS10●M



XVS14●MMW



XVS72BM●●

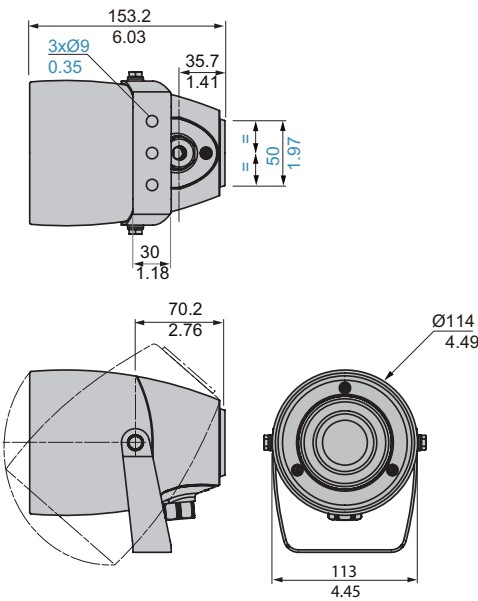


XVS96BM●●

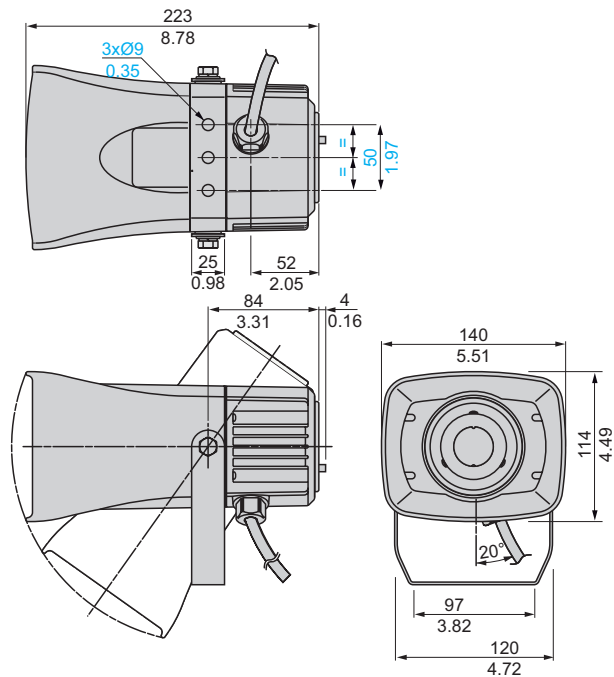
Description	Voltage V	Color	Catalog Number	Weight kg (lb)
<b>Sirens</b> 106 dB, 2 tones	12-24 Vac/dc	White	<b>XVS10BMW</b>	0.800 (1.76)
	120 Vac	White	<b>XVS10GMW</b>	1.000 (2.20)
	230 Vac	White	<b>XVS10MMW</b>	1.000 (2.20)
<b>Multisound Siren</b> 105 dB, 43 Tones 8 Channels Pre-wired	12/24 Vdc	White	<b>XVS14BMW</b>	1.000 (2.20)
	120 Vac	White	<b>XVS14GMW</b>	1.200 (2.65)
	240 Vac	White	<b>XVS14MMW</b>	1.200 (2.65)
<b>Electronic Alarms</b> 90 dB, 16 Tones Panel Mount DIN72 4 Channels	12/24 Vac/dc	PNP, Black	<b>XVS72BMBP</b>	0.180 (0.40)
		PNP, White	<b>XVS72BMWP</b>	0.180 (0.40)
		NPN, Black	<b>XVS72BMBN</b>	0.180 (0.40)
		NPN, White	<b>XVS72BMWN</b>	0.180 (0.40)
<b>Electronic Alarms</b> 96 dB, 16 Tones Panel Mount DIN96 4 Channels	12/24 Vac/dc	PNP, Black	<b>XVS96BMBP</b>	0.400 (0.88)
		PNP, White	<b>XVS96BMWP</b>	0.400 (0.88)
		NPN, Black	<b>XVS96BMBN</b>	0.400 (0.88)
		NPN, White	<b>XVS96BMWN</b>	0.400 (0.88)

#### Dimensions

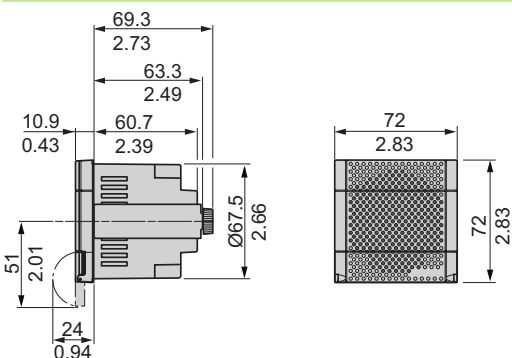
##### XVS10●M



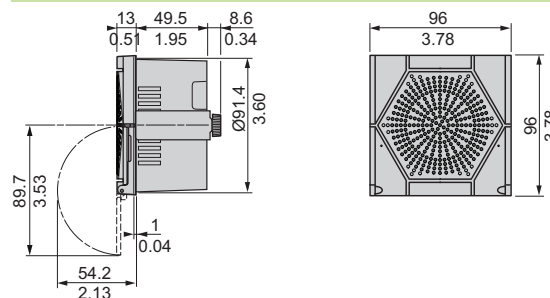
##### XVS14●MMW



##### XVS72BM●●



##### XVS96BM●●



Dimensions  $\frac{\text{mm}}{\text{in.}}$



# Index of Catalog Numbers

Catalog Number	Page
<b>D</b>	
DL1BDB1	13, 19
DL1BDB3	13, 19
DL1BDB4	13, 19
DL1BDB5	13, 19
DL1BDB6	13, 19
DL1BDB8	13, 19
DL1BDG1	13, 19
DL1BDG3	13, 19
DL1BDG4	13, 19
DL1BDG5	13, 19
DL1BDG6	13, 19
DL1BDG8	13, 19
DL1BDM1	19
DL1BDM3	19
DL1BDM4	19
DL1BDM5	19
DL1BDM6	19
DL1BDM8	19
DL1BEB	13, 19
DL1BEBS	29
DL1BEE	13, 19
DL1BEG	13, 19
DL1BEGS	29
DL1BEJ	13, 19
DL1BEM	13, 19
DL1BEMS	29
DL1BKB1	13, 19
DL1BKB3	13, 19
DL1BKB4	13, 19
DL1BKB5	13, 19
DL1BKB6	13, 19
DL1BKB8	13, 19
DL1BKG1	13, 19
DL1BKG3	13, 19
DL1BKG4	13, 19
DL1BKG5	13, 19
DL1BKG6	13, 19
DL1BKG8	13, 19
DL1BKM1	19
DL1BKM3	19
DL1BKM4	19
DL1BKM5	19
DL1BKM6	19
DL1BKM8	19
<b>X</b>	
XVBC020	13
XVBC030	13
XVBC040	13
XVBC081	12
XVBC12	13, 29
XVBC14	12
XVBC21	12
XVBC22	12
XVBC23	12
XVBC33	11
XVBC34	11
XVBC35	11
XVBC36	11
XVBC37	11
XVBC38	11
XVBC4B3	11
XVBC4B4	11
XVBC4B5	11
XVBC4B6	11

Catalog Number	Page
XVBC4B7	11
XVBC4B8	11
XVBC4M3	11
XVBC4M4	11
XVBC4M5	11
XVBC4M6	11
XVBC4M7	11
XVBC4M8	11
XVBC8B3	11
XVBC8B4	11
XVBC8B5	11
XVBC8B6	11
XVBC8B7	11
XVBC8B8	11
XVBC8G3	11
XVBC8G4	11
XVBC8G5	11
XVBC8G6	11
XVBC8G7	11
XVBC8G8	11
XVBC9B	12
XVBC9M	12
XVBL33	10
XVBL34	10
XVBL35	10
XVBL36	10
XVBL37	10
XVBL38	10
XVBL4B3	10
XVBL4B4	10
XVBL4B5	10
XVBL4B6	10
XVBL4B7	10
XVBL4B8	10
XVBL8B3	10
XVBL8B4	10
XVBL8B5	10
XVBL8B6	10
XVBL8B7	10
XVBL8B8	10
XVBL8G3	10
XVBL8G4	10
XVBL8G5	10
XVBL8G6	10
XVBL8G7	10
XVBL8G8	10
XVBZ01	29
XVBZ02	13, 29
XVBZ02A	13, 29
XVBZ03	13, 29
XVBZ03A	13, 29
XVBZ04	13, 29
XVBZ04A	13, 29
XVC1B1K	37
XVC1B1SK	37
XVC1B2K	37
XVC1B2SK	37
XVC1B3K	37
XVC1B3SK	37
XVC1B4K	37
XVC1B4SK	37
XVC1B5K	37
XVC1B5SK	37
XVC1M1K	37
XVC1M1SK	37
XVC1M2K	37

Catalog Number	Page
XVC1M2SK	37
XVC1M3K	37
XVC1M3SK	37
XVC1M4K	37
XVC1M4SK	37
XVC1M5K	37
XVC1M5SK	37
XVC4B1	35
XVC4B15S	35
XVC4B1K	35
XVC4B2	35
XVC4B25S	35
XVC4B2K	35
XVC4B3	35
XVC4B35S	35
XVC4B3K	35
XVC4B4	35
XVC4B45S	35
XVC4B4K	35
XVC4B5	35
XVC4B55S	35
XVC4B5K	35
XVC4M1	35
XVC4M15S	35
XVC4M2	35
XVC4M25S	35
XVC4M3	35
XVC4M35S	35
XVC4M4	35
XVC4M45S	35
XVC4M5	35
XVC4M55S	35
XVC6B1	36
XVC6B15S	36
XVC6B15SK	36
XVC6B1K	36
XVC6B2	36
XVC6B25S	36
XVC6B25SK	36
XVC6B2K	36
XVC6B3	36
XVC6B35S	36
XVC6B35SK	36
XVC6B3K	36
XVC6B4	36
XVC6B45S	36
XVC6B45SK	36
XVC6B4K	36
XVC6B5	36
XVC6B55S	36
XVC6B55SK	36
XVC6B5K	36
XVC6M1	36
XVC6M15S	36
XVC6M15SK	36
XVC6M1K	36
XVC6M2	36
XVC6M25S	36
XVC6M25SK	36
XVC6M2K	36
XVC6M3	36
XVC6M35S	36
XVC6M35SK	36
XVC6M3K	36
XVC6M4	36
XVC6M45S	36

Catalog Number	Page
XVC6M45SK	36
XVC6M4K	36
XVC6M5	36
XVC6M55S	36
XVC6M55SK	36
XVC6M5K	36
XVCZ01	35
XVCZ02	36
XVCZ11	35
XVCZ12	36
XVCZ13	37, 42
XVCZ23	37, 42
XVCZ31	35
XVCZ32	36
XVDC02	29
XVEC21	29
XVEC21P	29
XVEC2B3	28
XVEC2B4	28
XVEC2B5	28
XVEC2B6	28
XVEC2B7	28
XVEC2G3	28
XVEC2G4	28
XVEC2G5	28
XVEC2G6	28
XVEC2G7	28
XVEC33	28
XVEC34	28
XVEC35	28
XVEC36	28
XVEC37	28
XVEC5B3	28
XVEC5B4	28
XVEC5B5	28
XVEC5B6	28
XVEC5B7	28
XVEC5G3	28
XVEC5G4	28
XVEC5G5	28
XVEC5G6	28
XVEC5G7	28
XVEC6B3	28
XVEC6B4	28
XVEC6B5	28
XVEC6B6	28
XVEC6B7	28
XVEC6G3	28
XVEC6G4	28
XVEC6G5	28
XVEC6G6	28
XVEC6G7	28
XVEC9B	28
XVEC9G	28
XVEC9M	28
XVEL2B3	27
XVEL2B4	27
XVEL2B5	27
XVEL2B6	27
XVEL2B7	27
XVEL2G3	27
XVEL2G4	27
XVEL2G5	27
XVEL2G6	27
XVEL2G7	27
XVEL33	27



# Index of Catalog Numbers

Catalog Number	Page
XVEL34	27
XVEL35	27
XVEL36	27
XVEL37	27
XVEL6B3	27
XVEL6B4	27
XVEL6B5	27
XVEL6B6	27
XVEL6B7	27
XVEL6G3	27
XVEL6G4	27
XVEL6G5	27
XVEL6G6	27
XVEL6G7	27
XVEZ081	29
XVEZ082	29
XVEZ083	29
XVEZ13	29
XVPC02	21
XVPC02T	21
XVPC02W	21
XVPC03	21
XVPC03T	21
XVPC03W	21
XVPC04	21
XVPC04T	21
XVPC04W	21
XVPC09B	20
XVPC09BW	20
XVPC09G	20
XVPC09GW	20
XVPC09M	20
XVPC09MW	20
XVPC12	21
XVPC12W	21
XVPC21	21
XVPC21W	21
XVPC21WR	21
XVPC33	19
XVPC33W	19
XVPC34	19
XVPC34W	19
XVPC35	19
XVPC35W	19
XVPC36	19
XVPC36W	19
XVPC37	19
XVPC37W	19
XVPC38	19
XVPC38W	19
XVPC6B3	20
XVPC6B3W	20
XVPC6B4	20
XVPC6B4W	20
XVPC6B5	20
XVPC6B5W	20
XVPC6B6	20
XVPC6B6W	20
XVPC6B7	20
XVPC6B7W	20
XVPC6B8	20
XVPC6B8W	20
XVPC6G3	20
XVPC6G3W	20
XVPC6G4	20
XVPC6G4W	20

Catalog Number	Page
XVPC6G5	20
XVPC6G5W	20
XVPC6G6	20
XVPC6G6W	20
XVPC6G7	20
XVPC6G7W	20
XVPC6G8	20
XVPC6G8W	20
XVPC6M3	20
XVPC6M3W	20
XVPC6M4	20
XVPC6M4W	20
XVPC6M5	20
XVPC6M5W	20
XVPC6M6	20
XVPC6M6W	20
XVPC6M7	20
XVPC6M7W	20
XVPC6M8	20
XVPC6M8W	20
XVPCX13	21, 29
XVR012L	42
XVR08B03	42
XVR08B04	42
XVR08B05	42
XVR08B06	42
XVR08J03	42
XVR08J04	42
XVR08J05	42
XVR08J06	42
XVR10B03	42
XVR10B04	42
XVR10B05	42
XVR10B06	42
XVR10J03	42
XVR10J04	42
XVR10J05	42
XVR10J06	42
XVR12B03	42
XVR12B03S	42
XVR12B04	42
XVR12B04S	42
XVR12B05	42
XVR12B05S	42
XVR12B06	42
XVR12B06S	42
XVR12J03	42
XVR12J03S	42
XVR12J04	42
XVR12J04S	42
XVR12J05	42
XVR12J05S	42
XVR12J06	42
XVR12J06S	42
XVR13B04	42
XVR13B04L	42
XVR13B05	42
XVR13B05L	42
XVR13G04L	42
XVR13G05L	42
XVR13J04	42
XVR13J05	42
XVR13M04L	42
XVR13M05L	42
XVRZ081	42
XVRZ082	42

Catalog Number	Page
XVRZR1	42
XVRZR2	42
XVRZR3	42
XVS10BMW	46
XVS10GMW	46
XVS10MMW	46
XVS14BMW	46
XVS14GMW	46
XVS14MMW	46
XVS72BMBN	46
XVS72BMBP	46
XVS72BMWN	46
XVS72BMWP	46
XVS96BMBN	46
XVS96BMBP	46
XVS96BMWN	46
XVS96BMWP	46





**Schneider Electric USA, Inc.**

8001 Knightdale Blvd.  
Knightdale, NC 27545  
Tel: 919-266-3671

The information and dimensions in this catalog are provided for the convenience of our customers. While this information is believed to be accurate, Schneider Electric reserves the right to make updates and changes without prior notification and assumes no liability for any errors or omissions.

Design: Schneider Electric  
Photos: Schneider Electric

© 2010 Schneider Electric. All Rights Reserved.

January 2011

9001CT1002