

Tower Lights & Beacons

Catalog
2011





Contents

Harmony Tower Lights and Beacons provide long-distance indication of the operation status or sequences of machines using lights and buzzers.

| | |
|-----------------------|---|
| Selection Guide | 4 |
|-----------------------|---|

Harmony® XVB Tower Lights and Beacons

The best selection of customer-assembled modular 70 millimeter diameter indicators. No tools are required when assembling stacking units.

| | |
|-----------------------|----|
| Introduction | 6 |
| Specifications | 8 |
| Catalog Numbers | 10 |
| Dimensions | 14 |
| Installation | 15 |

Harmony® XVP Tower Lights

50 millimeter diameter customer-assembled indicators with similar construction and features of the XVB in a compact size.

| | |
|--------------------------------|----|
| Introduction | 16 |
| Specifications | 18 |
| Catalog Numbers | 19 |
| Dimensions, Installation | 22 |

Harmony® XVE Tower Lights and Beacons

Bright visual indication in a 70mm diameter cost-effective product. Each stackable light or buzzer segment includes a screw for customer assembly.

| | |
|--|----|
| Introduction | 24 |
| Specifications | 26 |
| Catalog Numbers | 27 |
| Dimensions, Mounting, Connection, Installation | 30 |

Harmony® XVC Tower Lights

Available in 1 to 5 LED colored light segments with or without integrated buzzers in 40, 60, and 100mm diameters. Save installation time and money with the pre-wired, color coded, one-piece construction which eliminates the need to select and wire individual components.

| | |
|---------------------------------|----|
| Introduction, Description | 32 |
| Specifications | 33 |
| Catalog Numbers | 35 |
| Dimensions | 38 |

Harmony® XVR Rotating Mirror Beacons

Eye-catching indicators with long-life Red, Orange, Green, or Blue LEDs in different diameter sizes. Ideal for use with conveyors, forklifts, and electrical control panels.

| | |
|------------------------------------|----|
| Introduction, Specifications | 41 |
| Catalog Numbers | 42 |
| Dimensions | 43 |

Harmony® XVS Sirens and Electronic Alarms

XVS Sirens include up to 43 selectable tones with volume control up to 105 decibels. XVS Electronic Alarms include 16 selectable tones or melodies with four inputs and volume control up to 90 decibels.

| | |
|------------------------------------|----|
| Introduction, Specifications | 45 |
| Catalog Numbers, Dimensions | 46 |

| | |
|--------------------------------|----|
| Index of Catalog Numbers | 48 |
|--------------------------------|----|

Selection Guide



| Type of Product | Beacon | Tower Lights | | Tower Lights & Beacons |
|-----------------------------------|--|---------------------|-------------------------------------|------------------------|
| Family | XVBL | XVBC | XVP | XVE |
| Diameter | 70 mm | 70 mm | 50 mm | 70 mm |
| Features | Product for customer configuration and assembly | | | |
| Approvals | UL File E164353 | | CCN NKCR | |
| Conforming to Standards | CSA File LR 44087 Class 3211 03 | | | |
| | CE Marked | | | |
| | IEC/EN 60947-5-1 | | | |
| | UL508 | | | |
| | CSA 22 2 No 14 | | | |
| Degree of Protection | IP65 | | IP42 | |
| Light Source | LED or Incandescent | | | |
| Electrical Consumption | | | | |
| LED Steady | 24 Vac/dc: <30 mA | 24 Vac/dc: <80 mA | 24 Vac/dc: <25 mA | |
| | 120-230 Vac: <30 mA | 120-230 Vac: <30 mA | 120-230 Vac: <25 mA | |
| LED Flashing with Buzzer | 24 Vac/dc: <40 mA | 24 Vac/dc: <40 mA | 24 Vac/dc: <30 mA | |
| | 120-230 Vac: <15 mA | 120-230 Vac: <15 mA | 120-230 Vac: <25 mA | |
| Strobe (Energized) | 24 Vdc: 5 Joules unit <430 mA; 10 J unit; <850 mA | 24 Vdc: <= 40 mA | 24 Vdc: <= 85 mA | |
| | 120 Vac: 5 Joules unit <130 mA; 10 J unit; <260 mA | 120 Vac: <= 20 mA | 120 Vac: <= 85 mA | |
| | 230 Vac: 5 Joules unit <105 mA; 10 J unit; <210 mA | 230 Vac: <= 11 mA | 230 Vac: <= 25 mA | |
| Audible Sounders | 12-48 Vac/dc: <20 mA | 24 Vdc: <= 15 mA | — | |
| | 120-230 Vac: <50 mA | 120 Vac: <= 15 mA | — | |
| | — | 230 Vac: <= 12 mA | — | |
| Connection Type | Screw Clamp | | | |
| Cable Size | 1 x 16 AWG (1.5 mm²) With Cable End | | 2 x 16 AWG (1.5 mm²) With Cable End | |
| Torque Value for Wiring Terminals | 4.4 lb-in (0.5 N-m) | | | |
| Page | 6 | 6 | 16 | 24 |

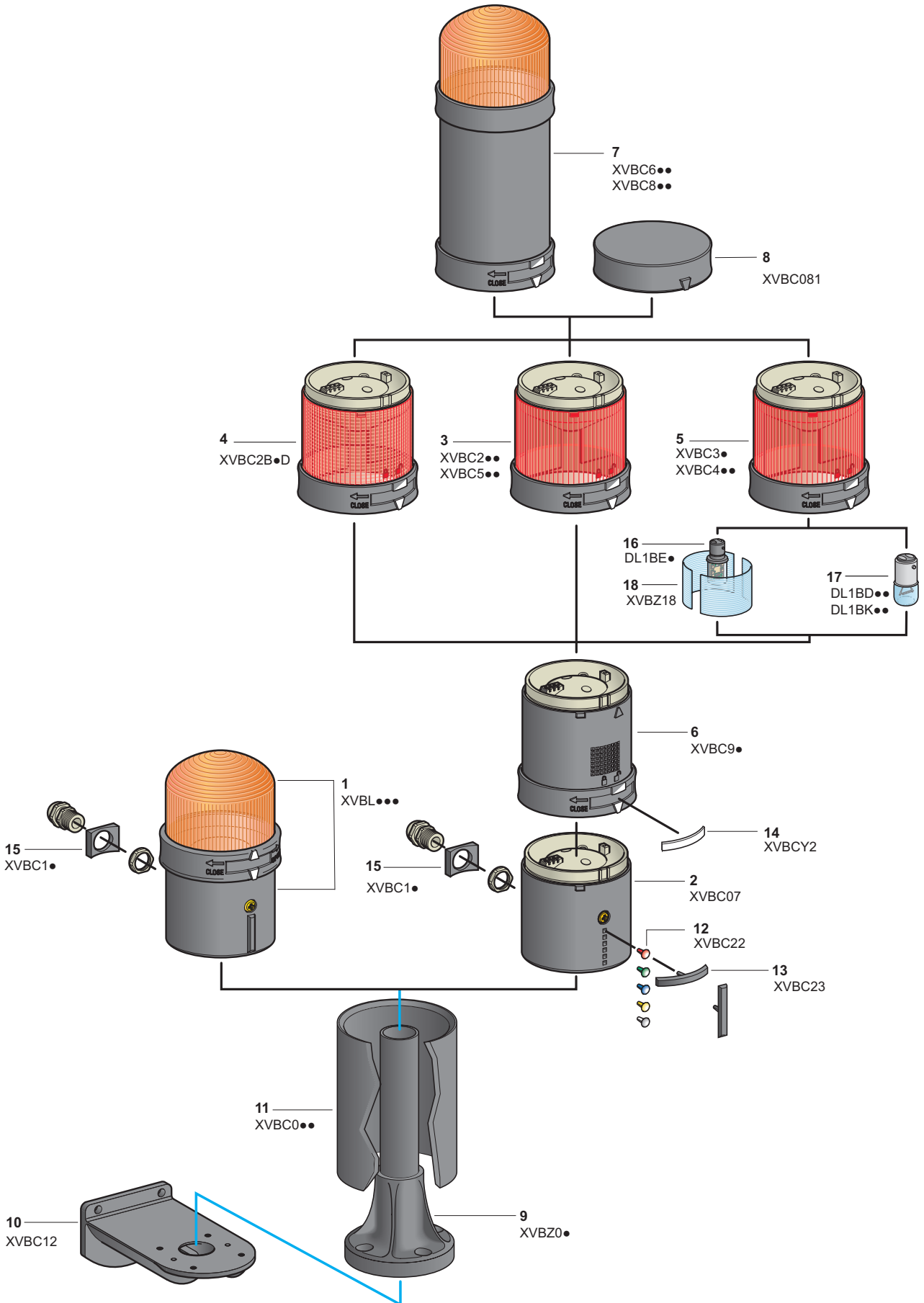


| Type of Product | Tower Lights | | | Rotating Mirror Beacons | Sirens & Alarms |
|--------------------------------------|--|---|--|--|--|
| Family | XVC 4 | XVC 6 | XVC 1 | XVR | XVS |
| Diameter | 40 mm | 60 mm | 100 mm | 84/106/120/130 mm | — |
| Features | All devices are pre-assembled and pre-wired | | | All devices are pre-assembled and pre-wired. XVR12**S includes buzzer: 70 to 90 decibels. | Adjustable Tones XVS14BMW, 0 to 105 db, 43 Tones XVS73BM**, 0 to 90 db, 16 Tones |
| Approvals | UL Recognized E164353 CCN NKCR CSA LR44087 Class 3211-03 | | | UL Recognized E164353 CCN NKCR CSA LR44087 Class 3211-03 | UL Recognized E164353 CCN UCST CSA LR44087 Class 3211-03 |
| Conforming to Standards | CE Marked EN61000-6-2 EN61000-6-3 — UL 508 CSA 22.2 No 14 IP54 | CE Marked EN61000-6-2 EN61000-6-3 EN61000-6-4 UL 508 CSA 22.2 No 14 IP54 | CE Marked EN61000-6-2 EN61000-6-3 — UL 508 CSA 22.2 No 14 IP23/IP65/IP66 | CE Marked EN61000-6-2 EN61000-6-3 — UL 508 CSA 22.2 No 14 IP53 | CE Marked — — — UL 508 CSA 22.2 No 14 IP53 |
| Light Source | LED | | | | — |
| Electrical Consumption LED Steady | 1 Unit = 40 mA; 2 Unit = 80 mA; 3 Unit = 120 mA; 4 Unit = 160 mA; 5 Unit = 200 mA; | 24 V; 1 Unit = 100 mA; 2 Unit = 200 mA; 3 Unit = 300 mA; 4 Unit = 400 mA; 5 Unit = 500 mA; | XVR08, XVR10, XVR12, and XVR13 (without buzzer) 12 Vac/dc: 360 mA 24 Vac/dc: 230 mA | — | — |
| with Buzzer | — | 24 V; 1 Unit = 150 mA; 2 Unit = 250 mA; 3 Unit = 350 mA; 4 Unit = 450 mA; 5 Unit = 550 mA; | XVR12 with buzzer: 12 Vac/dc: 400 mA 24 Vac/dc: 230 mA | — | — |
| Audible Sounders | — | — | — | — | XVS72BM 12 Vdc: 350 mA 24 Vdc: 400 mA |
| | — | — | — | — | XVS72BM 12 Vdc: 280 mA 24 Vdc: 190 mA |
| Connection Type | — | | | Pre-wired | XVS14BMW Pre-wired, Color coded wires XVS72BM** Not Pre-wired |
| Cable Size | 22 AWG (0.33 mm ²) | | | 18 AWG (0.75 mm ²) | — |
| Page | 32 | 32 | 32 | 41 | 45 |

Tower Lights and Beacons

70 mm Diameter

Harmony® XVB



Tower Lights and Beacons

70 mm Diameter

Harmony® XVB

Harmony XVB tower lights and beacons are visual or audible signaling units used for indicating (with 360° visibility and visible at a distance) the various states of operation for a device or installation. Examples include: start, stop machine, no material, call technical staff, and fault signaling.

Illuminated Beacon

Complete Product XVBL

Ready assembled with a single illuminated signaling unit:

- Steady light (with incandescent bulb or LED),
- Flashing light (with incandescent bulb or LED),
- "Flash" (with discharge tube).

The **XVBL** beacon includes:

- A base unit with a removable terminal block and bottom or side cable entry.
- One colored illuminated unit (green, red, orange, blue, clear, or yellow).

Tower Lights

Customer Assembled Product XVBC

Variable assembly of one to five illuminated or audible units which are supplied as separate items (not pre-assembled). Maximum configuration: five units or four units + one "flash" unit.

The **XVBC** tower lights include:

- A base unit with a removable terminal block and bottom or side cable entry (2).
- One to five colored illuminated units (green, red, orange, blue, clear, or yellow):
 - with integral LED (3),
 - with integral LED and diffuser (4),
 - for incandescent bulbs or base mounted LEDs (5).
- One or two audible units (6).
- A maximum of one "flash" discharge unit (5 Joule or 10 Joule) (7), for mounting on top of the bank.
- A top cover (8) (except when using a "flash" discharge tube).
- The illuminated or audible units stack vertically and are easily locked and unlocked using an integral clamping ring. Electrical connections between each unit are automatically connected.
- A light diffuser, pre-fitted in illuminated units (XVBC2B•D), with a base mounted LED, distributes the light evenly over the lens surface. When using the indicator banks in bright ambient light conditions, remove the diffuser to improve contrast.

Accessories

For Beacons XVBL and Indicator Banks XVBC

- Mounting base comprised of a support tube glued into a plastic mounting plate, to provide a height beneath the base unit of 80, 380 or 780 mm (3.14, 15, or 30.71 in) (9).
- Mounting plate for mounting on a vertical support (10).
- Support tube concealment cover, height of 100, 400, or 800 mm (3.94, 15.75, or 31.5 in) (11).
- Colored markers (12).
- Legend holder with legend (13).
- Legends that attach to the locking ring of each signaling unit for identification (14).
- Adaptor and cable gland (15).
- Base mounted LED (16) or incandescent bulb (17).
- Diffuser (18) ⁽¹⁾.

Installation

Mounting

- Base unit fixed directly onto panel using 2 screws.
- Fixed using a mounting base comprised of an aluminum support tube glued into a plastic mounting plate.

Cabling

- Through a removable terminal block incorporated in the base unit (simplified wiring).

(1) The diffuser can only be used with LED illuminated units. Not compatible with units fitted with an incandescent bulb or "flash" discharge tube.

Tower Lights and Beacons

70 mm Diameter

Harmony® XVB

| Environment Specifications | | |
|---|---|--|
| Product Certifications | Standard version | CSA C22-2 n°14, UL 508, CCC, GOST |
| Conformity to Standards | | EN/IEC 60947-5-1 |
| Protective Treatment | Standard version Conforming to UTE C63-100 | "TC" |
| Ambient Air Temperature | For storage | °C (F) - 40...+ 70 (-40...+158) |
| | For operation ⁽¹⁾ | °C (F) Illuminated units with steady light signaling: - 25...+ 70 (-13...+158), with 7 W incandescent bulb - 25...+ 50 (-13...+122), with LED |
| | | °C (F) Illuminated units with flashing light signaling: - 25...+ 50 (-13...+122), with 7 W incandescent bulb - 25...+ 50 (-13...+122), with LED |
| | | °C (F) Illuminated units with "flash" discharge tube: - 25...+ 50 (-13...+122) |
| | | °C (F) Audible units: - 25...+ 50 (-13...+122), with buzzer |
| Electric Shock Protection conforming to IEC 61140 | Mounted on support tube | Class I |
| | Mounted on base unit | Class II |
| Degree of Protection | Conforming to IEC 60529 | IP 65 (mounted on mounting base XVBZ0●) IP 66 (mounted directly on base unit) |
| | Conforming to UL 508 | Type 4X NEMA "Indoor" |
| Material | Illuminated units | Polycarbonate |
| | Base unit and cover | Glass-reinforced polyamide and polycarbonate |
| | Support tube | Painted aluminum |
| | Mounting plate for use on vertical support | Zamak |
| | Mounting plate for use on horizontal support | Polyamide 66 |
| | Support tube concealment cover | ABS |

(1) WARNING: RISK OF OVERHEATING:

- Illuminated units with incandescent bulbs must not be combined with LED illuminated units, due to the risk of overheating.
- When different units (steady or flashing) are combined, the maximum temperature is limited to that of the weaker unit.

Tower Lights and Beacons

70 mm Diameter

Harmony® XVB

| Electrical Specifications | | | |
|--|---|-----------------------|---|
| Rated Insulation Voltage (Ui) | Conforming to EN/IEC 60947-1 | V | 250 |
| Voltage Limits | Conforming to EN/IEC 60947-5-1 | V | 0.85 to 1.10 Un (Un: nominal voltage) |
| Consumption | LED units | mA | Steady light signaling: 24 Vac/dc: < 47 120 Vac: < 17 230 Vac: < 17 |
| | | mA | Strobe light signaling: 24 Vac/dc: < 47 120 Vac: < 17 230 Vac: < 17 |
| | Units with discharge tube ⁽¹⁾ | mA | Strobe light signaling: 24 Vdc: 5 J unit: < 430; 10 J unit: < 850 120 Vac: 5 J unit: < 130; 10 J unit: < 260 230 Vac: 5 J unit: < 105; 10 J unit: < 210 |
| | Audible units | mA | 12...48 Vac/dc: < 20 120...230 Vac: < 50 |
| Rated Impulse Withstand Voltage | Conforming to EN/IEC 60947-1 | kV | Uimp = 4 |
| Light Source | Illuminated units with steady or flashing light signaling | | LEDs: degree of pollution 2 Bulbs with BA 15d base fitting, maximum power 7 W |
| Illuminating Power | Units with discharge tube | cds | 13 (integral high intensity tube) with clear lens unit: 5 J tube 26 (integral high intensity tube) with clear lens unit: 10 J tube |
| Audible Unit | Continuous or intermittent tone | dB | 90 at 1 m |
| | Fundamental frequency | kHz | 2.8 |
| Terminal Referencing | | | 1 terminal referenced "C" common to all 5 units |
| | | | 1 or 5 terminals referenced 1 to 5, depending on number of units |
| Connection | Maximum clamping capacity on protected, ready-to-tighten, screw and captive cable clamp terminals | mm² | 1 x 1.5 with cable end 2 x 16 AWG |
| Torque Value for Wiring Terminals | | lb-in (N-m) | 4.4 (0.5) |
| Frequency of Illuminated Units | Illuminated units with flashing light signaling | Hz | 1 |
| | Illuminated units with discharge tube | Hz | 1 |

(1) **WARNING RISK OF OVERHEATING:** Illuminated units with a "flash" discharge tube are not suitable for steady light signaling.

Tower Lights and Beacons

70 mm Diameter

Harmony® XVBL



XVBL3●



XVBL4B●



XVBL8B●

Beacons with Steady Light Signaling

| Description | Light source (ordered separately) | Color | Catalog Number | Weight kg (lb) |
|--|---|--------|----------------|----------------|
| Complete Unit Includes: - 1 lens unit - 1 base unit (direct or tube mounting) | Bulb (10 W max.) not included 250 V max. | Green | XVBL33 | 0.260 (0.57) |
| | | Red | XVBL34 | 0.260 (0.57) |
| | | Orange | XVBL35 | 0.260 (0.57) |
| | | Blue | XVBL36 | 0.260 (0.57) |
| | | Clear | XVBL37 | 0.260 (0.57) |
| | | Yellow | XVBL38 | 0.260 (0.57) |

Beacons with Integral Flashing Light Signaling

| Description | Light Source (1) (ordered separately) | Color | Catalog Number | Weight kg (lb) |
|--|--|--------|----------------|----------------|
| Complete Unit Includes: - 1 lens unit - 1 base unit (direct or tube mounting) | Incandescent bulb 7 W max. 24 Vac 24...48 Vdc | Green | XVBL4B3 | 0.280 (0.62) |
| | | Red | XVBL4B4 | 0.280 (0.62) |
| | | Orange | XVBL4B5 | 0.280 (0.62) |
| | | Blue | XVBL4B6 | 0.280 (0.62) |
| | | Clear | XVBL4B7 | 0.280 (0.62) |
| | | Yellow | XVBL4B8 | 0.280 (0.62) |

(1) Incandescent bulbs and LEDs, see page 13.

Beacons with 10 Joule "Strobe" Discharge Tube

| Description | Light Source | Color | Catalog Number | Weight kg (lb) | |
|---|---|---|----------------|----------------|--------------|
| Complete Unit Includes: - 1 illuminated unit - 1 base unit (direct or tube mounting) | Integral "strobe" discharge tube 24 Vac/dc | Green | XVBL8B3 | 0.450 (0.99) | |
| | | Red | XVBL8B4 | 0.450 (0.99) | |
| | | Orange | XVBL8B5 | 0.450 (0.99) | |
| | | Blue | XVBL8B6 | 0.450 (0.99) | |
| | | Clear | XVBL8B7 | 0.450 (0.99) | |
| | | Yellow | XVBL8B8 | 0.450 (0.99) | |
| | | Integral "strobe" discharge tube 120 Vac | Green | XVBL8G3 | 0.460 (1.01) |
| | | | Red | XVBL8G4 | 0.460 (1.01) |
| | Orange | | XVBL8G5 | 0.460 (1.01) | |
| | Blue | | XVBL8G6 | 0.460 (1.01) | |
| | Clear | | XVBL8G7 | 0.460 (1.01) | |
| | Yellow | | XVBL8G8 | 0.460 (1.01) | |

Tower Lights and Beacons

70 mm Diameter

Harmony® XVBC



XVBC3●



XVBC4●●



XVBC8●●

Lens Units with Steady Light Signaling

| Description | Light Source (ordered separately) | Color | Catalog Number | Weight kg (lb) |
|-------------------|--|--------|----------------|----------------|
| Illuminated Units | Bulb (10 W max.) not included 250 Vac max | Green | XVBC33 | 0.140 (0.31) |
| | | Red | XVBC34 | 0.140 (0.31) |
| | | Orange | XVBC35 | 0.140 (0.31) |
| | | Blue | XVBC36 | 0.140 (0.31) |
| | | Clear | XVBC37 | 0.140 (0.31) |
| | | Yellow | XVBC38 | 0.140 (0.31) |

| Description | Light Source (1) (ordered separately) | Color | Catalog Number | Weight kg (lb) | |
|-------------------|--|---|----------------|----------------|--------------|
| Illuminated Units | Incandescent bulb 7 W max. 24 Vac 24...48 Vdc or LED | Green | XVBC4B3 | 0.160 (0.35) | |
| | | Red | XVBC4B4 | 0.160 (0.35) | |
| | | Orange | XVBC4B5 | 0.160 (0.35) | |
| | | Blue | XVBC4B6 | 0.160 (0.35) | |
| | | Clear | XVBC4B7 | 0.160 (0.35) | |
| | | Yellow | XVBC4B8 | 0.160 (0.35) | |
| | | Incandescent bulb 7 W max. 48...230 Vac or LED | Green | XVBC4M3 | 0.160 (0.35) |
| | | | Red | XVBC4M4 | 0.160 (0.35) |
| | Orange | | XVBC4M5 | 0.160 (0.35) | |
| | Blue | | XVBC4M6 | 0.160 (0.35) | |
| | Clear | | XVBC4M7 | 0.160 (0.35) | |
| | Yellow | | XVBC4M8 | 0.160 (0.35) | |

(1) Incandescent bulbs and LEDs, see page 13.

Lens Units with 10 Joule "Strobe" Discharge Tube

| Description | Light source | Color | Catalog Number | Weight kg (lb) | |
|-------------------|--|---|----------------|----------------|--------------|
| Illuminated Units | Integral "strobe" discharge tube 24 Vdc | Green | XVBC8B3 | 0.305 (0.67) | |
| | | Red | XVBC8B4 | 0.305 (0.67) | |
| | | Orange | XVBC8B5 | 0.305 (0.67) | |
| | | Blue | XVBC8B6 | 0.305 (0.67) | |
| | | Clear | XVBC8B7 | 0.305 (0.67) | |
| | | Yellow | XVBC8B8 | 0.305 (0.67) | |
| | | Integral "strobe" discharge tube 120 Vac | Green | XVBC8G3 | 0.315 (0.69) |
| | | | Red | XVBC8G4 | 0.315 (0.69) |
| | Orange | | XVBC8G5 | 0.315 (0.69) | |
| | Blue | | XVBC8G6 | 0.315 (0.69) | |
| | Clear | | XVBC8G7 | 0.315 (0.69) | |
| | Yellow | | XVBC8G8 | 0.315 (0.69) | |

Tower Lights and Beacons

70 mm Diameter

Harmony® XVBC (customer assembly, up to 5 units)
Indicator Banks (audible units, base units, cover, and accessories)



XVBC9●

| Audible Units | | | |
|--|----------------|----------------|----------------|
| Description | Specifications | Catalog Number | Weight kg (lb) |
| Buzzer, 90 dB at 1 m Adjustable: - 70 or 90 dB - Continuous or intermittent tone using microswitch | 12...48 Vdc | XVBC9B | 0.170 (0.37) |
| | 120...230 Vac | XVBC9M | 0.180 (0.40) |

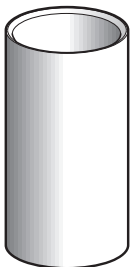
| Base Units (for direct or tube mounting) | | | |
|---|---|----------------|------------------|
| Description | For use with | Catalog Number | Weight t kg (lb) |
| Base Unit + Cover with Bottom or Side Cable Entry | Banks without "flash" discharge tube unit (includes gasket) | XVBC21 | 0.190 (0.42) |

| Accessories | | | |
|---|---|----------------|-----------------|
| Description | Application | Catalog Number | Weightt kg (lb) |
| Cover only | For use with XVBC2, XVBC3, XVBC4, XVBC5 and XVBC9 | XVBC081 | 0.030 (0.07) |
| Set of 6 Colored Markers | Identification of the unit position if the bank is dismantled | XVBC22 | 0.001 (0.002) |
| Set of 5 Legend Holders | Identification of stacked units on the base unit | XVBC23 | 0.002 (0.004) |
| Adaptor for Side Entry through Base Unit | With 13P cable gland | XVBC14 | 0.015 (0.03) |



XVBZ02

XVBZ03/Z04



XVBC020



XVBC12



DL1B●●



DL1BD●●/DL1BK●●

Accessories (continued)

| Description | Height Under Base Unit mm (in) | Color | Catalog Number | Weight kg (lb) |
|---|--------------------------------|----------------|----------------|----------------|
| Mounting Tube (Tube with plastic mounting base) | 80 (3.15) | Black aluminum | XVBZ02 | 0.110 (0.24) |
| | | Aluminum | XVBZ02A | 0.110 (0.24) |
| | 380 (14.96) | Black aluminum | XVBZ03 | 0.200 (0.44) |
| | | Aluminum | XVBZ03A | 0.200 (0.44) |
| | 780 (30.71) | Black aluminum | XVBZ04 | 0.325 (0.72) |
| | | Aluminum | XVBZ04A | 0.325 (0.72) |

| Description | For use with | Material | Catalog Number | Weight kg (lb) |
|--------------------------------|---|----------|----------------|----------------|
| Mounting Tube Concealmnt Cover | XVBZ02, XVBZ02A | ABS | XVBC020 | 0.080 (0.18) |
| | XVBZ03, XVBZ03A | ABS | XVBC030 | 0.305 (0.67) |
| | XVBZ04, XVBZ04A | ABS | XVBC040 | 0.610 (1.34) |
| Wall Mount Bracket | Base unit (direct mounting), mounting plate XVB Z01, or mounting bases XVBZ0● | Zamak | XVBC12 | 0.380 (0.84) |

| Description | Specifications | Sold in lots of | Catalog Number | Weight kg (lb) |
|--|----------------|-----------------|----------------|----------------|
| Incandescent Bulbs BA 15d Base Fitting | 12 V 7 W | 10 | DL1BEJ | 0.090 (0.20) |
| | 24 V 6.5 W | 10 | DL1BEB | 0.090 (0.20) |
| | 48 V 6 W | 10 | DL1BEE | 0.090 (0.20) |
| | 120 V 7 W | 10 | DL1BEG | 0.090 (0.20) |
| | 230 V 7 W | 10 | DL1BEM | 0.090 (0.20) |

| LEDs BA 15d Base Fitting | 24 Vdc | Color | Quantity | Protected LED | |
|--------------------------|---------|--------|----------|----------------|----------------|
| | | | | Catalog Number | Weight kg (lb) |
| | | White | 1 | DL1BDB1 | 0.015 (0.03) |
| | | Green | 1 | DL1BDB3 | 0.015 (0.03) |
| | | Red | 1 | DL1BDB4 | 0.015 (0.03) |
| | | Orange | 1 | DL1BDB5 | 0.015 (0.03) |
| | | Blue | 1 | DL1BDB6 | 0.015 (0.03) |
| | | Yellow | 1 | DL1BDB8 | 0.015 (0.03) |
| | 120 Vac | White | 1 | DL1BDG1 | 0.015 (0.03) |
| | | Green | 1 | DL1BDG3 | 0.015 (0.03) |
| | | Red | 1 | DL1BDG4 | 0.015 (0.03) |
| | | Orange | 1 | DL1BDG5 | 0.015 (0.03) |
| | | Blue | 1 | DL1BDG6 | 0.015 (0.03) |
| | | Yellow | 1 | DL1BDG8 | 0.015 (0.03) |

| Flashing LEDs BA 15d Base Fitting | 24 Vdc | Color | Quantity | Protected LED | |
|-----------------------------------|---------|--------|----------|----------------|----------------|
| | | | | Catalog Number | Weight kg (lb) |
| | | White | 1 | DL1BKB1 | 0.015 (0.03) |
| | | Green | 1 | DL1BKB3 | 0.015 (0.03) |
| | | Red | 1 | DL1BKB4 | 0.015 (0.03) |
| | | Orange | 1 | DL1BKB5 | 0.015 (0.03) |
| | | Blue | 1 | DL1BKB6 | 0.015 (0.03) |
| | | Yellow | 1 | DL1BKB8 | 0.015 (0.03) |
| | 120 Vac | White | 1 | DL1BKG1 | 0.015 (0.03) |
| | | Green | 1 | DL1BKG3 | 0.015 (0.03) |
| | | Red | 1 | DL1BKG4 | 0.015 (0.03) |
| | | Orange | 1 | DL1BKG5 | 0.015 (0.03) |
| | | Blue | 1 | DL1BKG6 | 0.015 (0.03) |
| | | Yellow | 1 | DL1BKG8 | 0.015 (0.03) |

| Description | Application | Catalog Number | Weight kg (lb) |
|--------------------------------|-------------|----------------|----------------|
| Bulb Mounting and Removal Tool | — | XVPCX13 | 0.015 (0.03) |

Tower Lights and Beacons

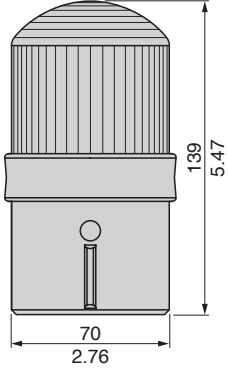
70 mm Diameter

Harmony® XVB

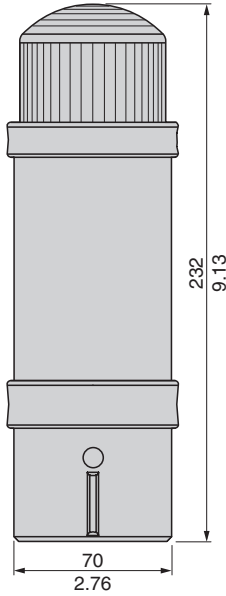
Dimensions

Illuminated Beacons XVB●●●

For BA 15d Bulb or LED

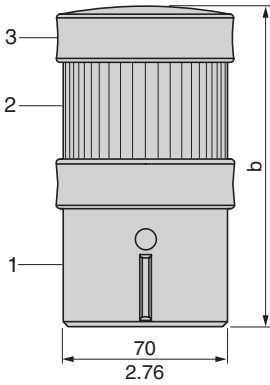


With "Flash" Discharge Tube Unit



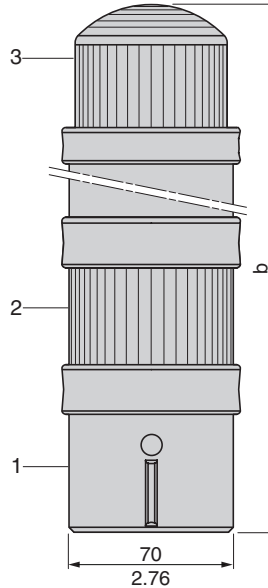
Tower Lights XVBC●●●

Without "Flash" Discharge Tube Unit



- 1 Base unit XVBC21 ⁽¹⁾
- 2 Illuminated or audible signaling unit XVBC●●●
- 3 Cover ⁽¹⁾

With "Flash" Discharge Tube Unit



- 1 Base unit XVBC07
- 2 Illuminated or audible signaling unit XVBC●●●
- 3 "Flash" unit XVBC●●●

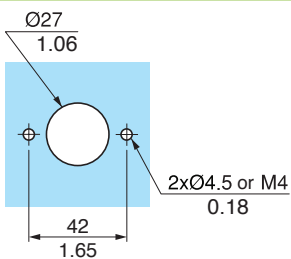
| Number of Illuminated or Audible Signalling Units (no "flash") | b mm (in) |
|--|-------------|
| 1 | 138 (5.43) |
| 2 | 201 (7.91) |
| 3 | 264 (10.39) |
| 4 | 327 (12.87) |
| 5 | 390 (15.35) |

| Number of Illuminated or Audible Signalling Units other than "Flash" Tube | b mm (in) |
|---|-------------|
| 1 | 295 (11.61) |
| 2 | 358 (14.09) |
| 3 | 421 (16.57) |
| 4 | 484 (19.06) |

(1) Base unit XVBC21 is supplied with a cover.

Panel Cut-out for Direct Mounting

On Base Unit XVBC21, XVBC07, XVBC21A, or XVBC21B

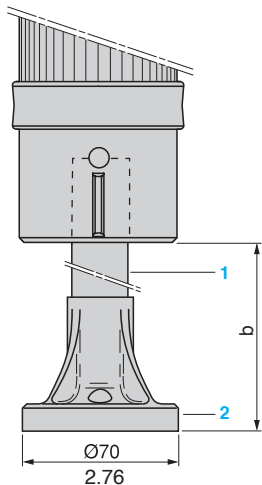


Dimensions $\frac{\text{mm}}{\text{in.}}$

Dimensions

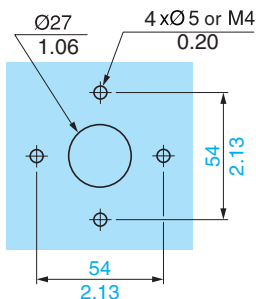
With Mounting Bases Comprising XVBZ0● (aluminum support tube glued into black plastic mounting plate)

Horizontal Support Drilling Plan for Mounting on Mounting Plate



Mounting base comprised of an XVBZ0● (Ø 25 mm support tube 1 glued into plastic mounting plate 2)

| XVB | b |
|----------|-----|
| Z02/Z02A | 80 |
| Z03/Z03A | 380 |
| Z04/Z04A | 780 |

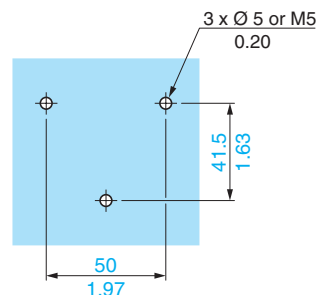
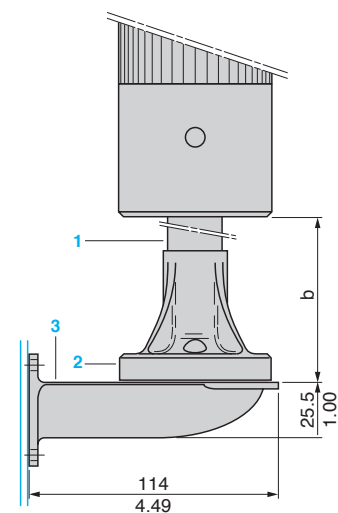
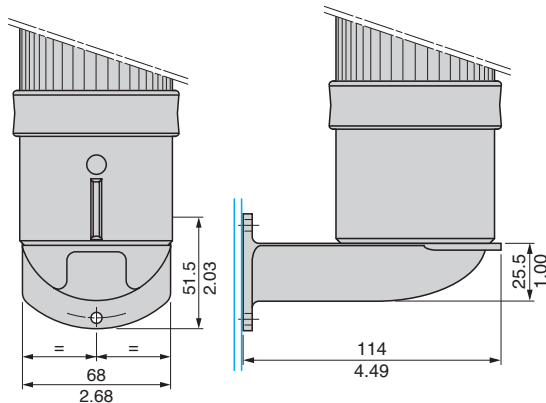


With Mounting Plate XVBC12 for use on Vertical Support

Direct Mounting on Base Unit

Mounting using Mounting Base XVBZ0● (aluminum support tube glued into black plastic mounting plate)

Drilling Plan for XVBC12



Mounting base comprised of an XVBZ0● (Ø 25 mm support tube 1 glued into plastic mounting plate 2) mounted on mounting plate XVBC12 for vertical support 3

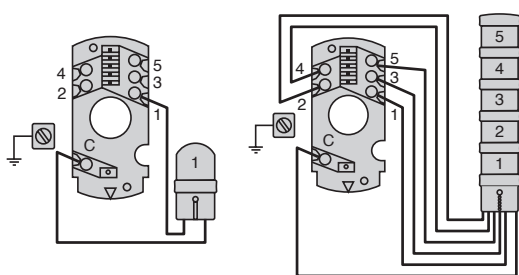
| XVB | b | mm (in) |
|----------|-----|---------|
| Z02/Z02A | 80 | (3.15) |
| Z03/Z03A | 380 | (14.96) |
| Z04/Z04A | 780 | (30.71) |

Installation

Connections

XVBL

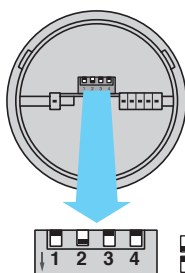
XVBC



Adjustment of Audible Signal for Buzzers XVBC9●

Four microswitches located in the base of the buzzer:

- 2 switches marked 1 and 2 used to select continuous or intermittent mode (Hz).
- 2 switches marked 3 and 4 used to select the power (dB) of the audible signal.



| Position of Microswitches | | Setting |
|---------------------------|---|-----------------------|
| 1 | 2 | Mode |
| 1 | 1 | — 2.8 kHz |
| 1 | 0 | — 2.8 kHz |
| 0 | 1 | ⏏ 5 Hz ⁽¹⁾ |
| 0 | 0 | ⏏ 1 Hz |
| 3 | 4 | Power |
| 1 | 1 | 90 dB ⁽¹⁾ |
| 0 | 1 | 85 dB |
| 1 | 0 | 80 dB |
| 0 | 0 | 70 dB |

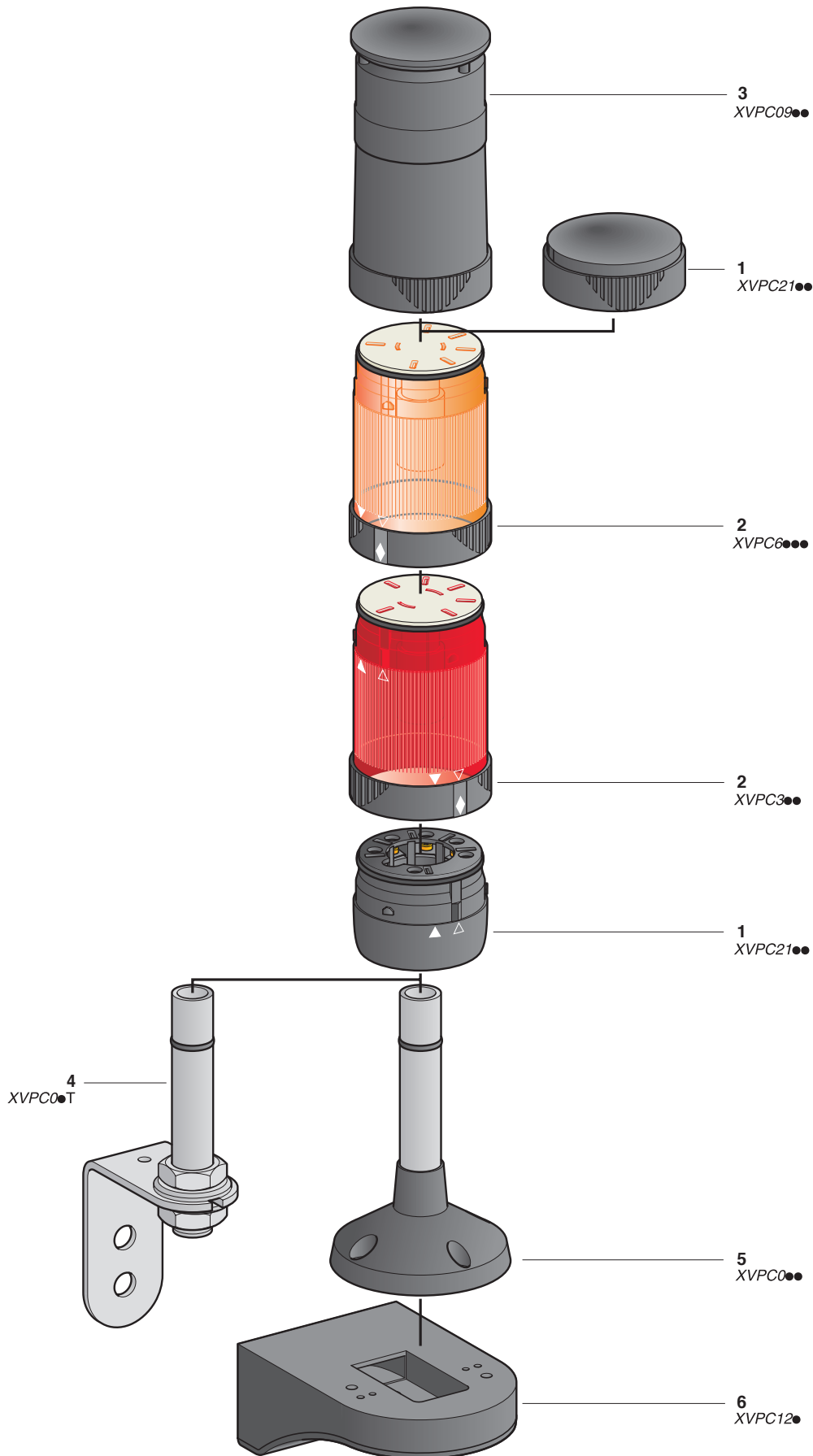
(1) Factory setting.

Dimensions $\frac{\text{mm}}{\text{in.}}$

Tower Lights and Beacons

50 mm Diameter

Harmony® XVP



Tower Lights and Beacons

50 mm Diameter

Harmony® XVP

Tower Lights (customer assembly, up to 5 units)

XVP tower lights are visual or audible signaling units for indicating states or operation sequences of a machine or installation.

Their reduced diameter (50 mm (2.0 in)) makes them particularly suitable for use on small equipment. In addition, the availability of two versions (aesthetic black or cream), makes them ideal for use in all sectors of activity: light industry, electronic, tertiary sector, and food/drink processing.

XVP Tower Light

Customer assembled product

Variable composition assemblies of illuminated and audible units which are supplied as separate items (for assembly by user).

The bank includes:

- 1 a base unit with bottom cable entry, and cover for the top unit,
- 2 one to five illuminated units with steady, flashing, or "flash" light signaling (colors include: green, red, orange, blue, clear, or yellow).
- 3 one audible unit (always mounted at the top of the bank) + four illuminated units.

- The illuminated or audible units stack vertically and are easily locked and unlocked using an integral clamping ring. Electrical connections between each unit are made automatically.
- For XVP tower lights, several illuminated "flash" units can be mounted.
- The flashing illuminated units are only available in an LED version and incorporate a BA 15d base mounted flashing LEDs.

Accessories

- 4 Threaded aluminum support tube with mounting bracket, for heights beneath the base unit of 77, 227, or 377 mm (3.03, 8.94, or 15.24 in).
- 5 Aluminum support tube with black or off-white plastic mounting base, for heights beneath the base unit of 89, 237, or 387 mm (3.50, 9.33, or 15.24 in), for direct mounting on the machine or on a vertical support 6.

Installation

Mounting

- Base unit fixed directly onto panel, or
- using support tube with plastic mounting base, or
- using threaded support tube with metal mounting bracket, or
- using support tube with plastic mounting base, mounted on a mounting plate for use on a vertical support.

Cabling

By means of a terminal block incorporated in the base unit. The screw and captive cable clamp terminals are designed to help protect against accidental contact with live parts. Cream colored base units are available for use with eyelet tags.

Tower Lights and Beacons

50 mm Diameter

Harmony® XVP

Environment Specifications

| | | | | |
|---|---|---|--|--|
| Product | Standard version | | CSA, CE marking, cULus | |
| Certifications | | | | |
| Conformity to Standards | | | EN/IEC 60947-5-1 | |
| Protective Treatment | Standard version Conforming to UTE C63-100 | | "TC" | |
| Ambient Air Temperature | For storage | °C (°F) | - 40... + 70 (- 40... + 158) | |
| | For operation | Illuminated units with steady light signaling | °C (°F) | - 25... + 50 (- 13... + 122) with 7 W incandescent bulb - 25... + 50 (- 13... + 122) with LED |
| | | Illuminated "flash" units (discharge tube) Audible units | °C (°F) | - 25... + 50 (- 13... + 122) |
| Electric Shock Protection Conforming to IEC 61140 | Mounted on support tube | | Class I | |
| | Mounted on base unit | | Class II | |
| Degree of Protection | Conforming to IEC 60529 | | - IP 65 for illuminated units - IP 43 for audible units | |
| Material | Illuminated units | | Polycarbonate and Polyamide | |
| | Base unit and cover | | Acrylic Butadiene-Styrene + Polycarbonate and Polyamide | |
| | Support tube + mounting plate | | Aluminum and Acrylic Butadiene-Styrene + Polycarbonate | |

Electrical Specifications

| | | | | |
|---|---|-------------------------------------|--|-----------------|
| Rated insulation voltage (Ui) | Conforming to EN/IEC 60947-1 | V | 250 | |
| Voltage limits | Conforming to IEC 60947-5-1 | V | 0.85 to 1.10 Un (Un: nominal voltage) | |
| Consumption | LED unit | Steady light signaling | mA | 24 Vac/dc: < 80 |
| | | | | 120 Vac: < 30 |
| | | | | 230 Vac: < 30 |
| | Flashing light signaling | mA | 24 Vac/dc: < 40 | |
| | | | 120 Vac: < 15 230 Vac: < 15 | |
| Illuminated "flash" unit (discharge tube) | On power-up | mA mA mA | 24 Vac/dc: < 100 120 Vac: ≤ 20 230 Vac: ≤ 11 | |
| Audible units | | mA mA mA | 24 Vdc: ≤ 15 120 Vac: ≤ 15 230 Vac: ≤ 12 | |
| Rated Impulse Withstand Voltage | Conforming to EN/IEC 60947-1 | kV | Uimp = 4 | |
| Light Source | Illuminated units with steady or flashing light signaling | | LEDs: degree of pollution 2 Incandescent bulbs with BA 15d base fitting, maximum power 7 W | |
| Illuminating Power | Illuminated units with steady light signaling | cds | 2.4 with clear lens unit (7 W incandescent bulb) | |
| | Illuminated "flash" units (discharge tube) | cds | 1.2 (24 V) with clear lens unit (0.3 J tube), 5 (120...230 V) with clear lens unit (0.6 J tube) | |
| Audible Unit | Continuous or intermittent tone | dB | Adjustable: 85 ± 3 max., 55 ± 3 min. at 1 m | |
| | Fundamental frequency | kHz | 10 adjustable levels | |
| Terminal Referencing | Common to all 5 units | | 1 terminal referenced -/C | |
| | Depending on number of units | | 1 or 5 terminals referenced +/1 to +/5 | |
| Connection | Maximum clamping capacity on protected, ready-to-tighten, screw and captive cable clamp terminals | mm² | 1 x 1.5 with cable end 2 x 16 AWG | |
| Torque Value for Wiring Terminals | | lb-in (N-m) | 4.4 (0.5) | |
| Frequency of Illuminated Units | Illuminated "flash" units (discharge tube) | Hz | 0.6...2 | |
| | Flashing illuminated units | Hz | 1 | |
| Service Life in Rapidly Ageing Environment | Illuminated "flash" units (discharge tube) Audible units | H | > 1000, continuous (climatic cycle - 25 °C (- 13 °F)... + 50 °C (+ 122 °F)) | |

Tower Lights and Beacons

50 mm Diameter

Harmony® XVP



XVPC3●



XVPC3●W

Lens Units with Steady or Flashing Light Signaling for BA 15d Bulb or LED

| Description | Light Source (ordered separately) | Color | Catalog Number | Weight kg (lb) |
|-------------------------------------|---|--------|----------------|----------------|
| With Black Clamping Ring | Incandescent bulb 7 W max. 250 V max. or LED | Green | XVPC33 | 0.100 (0.22) |
| | | Red | XVPC34 | 0.100 (0.22) |
| | | Orange | XVPC35 | 0.100 (0.22) |
| | | Blue | XVPC36 | 0.100 (0.22) |
| | | Clear | XVPC37 | 0.100 (0.22) |
| | | Yellow | XVPC38 | 0.100 (0.22) |
| With Off-white Clamping Ring | Incandescent bulb 7 W max. 250 V max. or LED | Green | XVPC33W | 0.100 (0.22) |
| | | Red | XVPC34W | 0.100 (0.22) |
| | | Orange | XVPC35W | 0.100 (0.22) |
| | | Blue | XVPC36W | 0.100 (0.22) |
| | | Clear | XVPC37W | 0.100 (0.22) |
| | | Yellow | XVPC38W | 0.100 (0.22) |

BA 15d Bulbs and LEDs

| Description | Specifications | Sold in lots of | Catalog Number | Weight kg (lb) | | | |
|--|----------------|---|----------------|----------------|--------------|----------------|--------------|
| Incandescent Bulbs BA 15d Base Fitting | 12 V 7 W | 10 | DL1BEJ | 0.090 (0.20) | | | |
| | 24 V 6.5 W | 10 | DL1BEB | 0.090 (0.20) | | | |
| | 120 V 7 W | 10 | DL1BEG | 0.090 (0.20) | | | |
| | 230 V 7 W | 10 | DL1BEM | 0.090 (0.20) | | | |
| LEDs BA 15d Base Fitting | 24 Vac/dc | White | 1 | DL1BDB1 | 0.015 (0.03) | | |
| | | Green | 1 | DL1BDB3 | 0.015 (0.03) | | |
| | | Red | 1 | DL1BDB4 | 0.015 (0.03) | | |
| | | Orange | 1 | DL1BDB5 | 0.015 (0.03) | | |
| | | Blue | 1 | DL1BDB6 | 0.015 (0.03) | | |
| | 120 Vac | White | 1 | DL1BDG1 | 0.015 (0.03) | | |
| | | Green | 1 | DL1BDG3 | 0.015 (0.03) | | |
| | | Red | 1 | DL1BDG4 | 0.015 (0.03) | | |
| | | Orange | 1 | DL1BDG5 | 0.015 (0.03) | | |
| | | Blue | 1 | DL1BDG6 | 0.015 (0.03) | | |
| | | Yellow | 1 | DL1BDG8 | 0.015 (0.03) | | |
| | | Flashing LEDs BA 15d Base Fitting | 24 Vac/dc | White | 1 | DL1BKB1 | 0.015 (0.03) |
| | | | | Green | 1 | DL1BKB3 | 0.015 (0.03) |
| | | | | Red | 1 | DL1BKB4 | 0.015 (0.03) |
| Orange | 1 | | | DL1BKB5 | 0.015 (0.03) | | |
| 120 Vac | Blue | | 1 | DL1BKB6 | 0.015 (0.03) | | |
| | Yellow | | 1 | DL1BKB8 | 0.015 (0.03) | | |
| | White | | 1 | DL1BKG1 | 0.015 (0.03) | | |
| | Green | | 1 | DL1BKG3 | 0.015 (0.03) | | |
| Red | 1 | DL1BKG4 | 0.015 (0.03) | | | | |
| | Orange | 1 | DL1BKG5 | 0.015 (0.03) | | | |
| | Blue | 1 | DL1BKG6 | 0.015 (0.03) | | | |
| | Yellow | 1 | DL1BKG8 | 0.015 (0.03) | | | |

Protected LED

Protected LED

Tower Lights and Beacons

50 mm Diameter

Harmony® XVP



XVPC6●●



XVPC6●●W

Illuminated "Strobe" Units with Discharge Tube

| Description | Voltage | Color | Catalog Number | Weight kg (lb) |
|-------------------------------------|---|--------|-----------------|----------------|
| With Black Clamping Ring | "Strobe" discharge tube (1 Joule) 24 Vac/dc | Green | XVPC6B3 | 0.120 (0.26) |
| | | Red | XVPC6B4 | 0.120 (0.26) |
| | | Orange | XVPC6B5 | 0.120 (0.26) |
| | | Blue | XVPC6B6 | 0.120 (0.26) |
| | | Clear | XVPC6B7 | 0.120 (0.26) |
| | | Yellow | XVPC6B8 | 0.120 (0.26) |
| | "Strobe" discharge tube (0.6 Joules) 120 Vac | Green | XVPC6G3 | 0.115 (0.25) |
| | | Red | XVPC6G4 | 0.115 (0.25) |
| | | Orange | XVPC6G5 | 0.115 (0.25) |
| | | Blue | XVPC6G6 | 0.115 (0.25) |
| | | Clear | XVPC6G7 | 0.115 (0.25) |
| | | Yellow | XVPC6G8 | 0.115 (0.25) |
| With Off-white Clamping Ring | "Strobe" discharge tube (1 Joule) 24 Vac/dc | Green | XVPC6B3W | 0.120 (0.26) |
| | | Red | XVPC6B4W | 0.120 (0.26) |
| | | Orange | XVPC6B5W | 0.120 (0.26) |
| | | Blue | XVPC6B6W | 0.120 (0.26) |
| | | Clear | XVPC6B7W | 0.120 (0.26) |
| | | Yellow | XVPC6B8W | 0.120 (0.26) |
| | "Strobe" discharge tube (0.6 Joules) 120 Vac | Green | XVPC6G3W | 0.115 (0.25) |
| | | Red | XVPC6G4W | 0.115 (0.25) |
| | | Orange | XVPC6G5W | 0.115 (0.25) |
| | | Blue | XVPC6G6W | 0.115 (0.25) |
| | | Clear | XVPC6G7W | 0.115 (0.25) |
| | | Yellow | XVPC6G8W | 0.115 (0.25) |



XVPC09●



XVPC09●W

Audible Units

| Description | Voltage | Color | Catalog Number | Weight kg (lb) |
|---|---------|-----------|-----------------|----------------|
| Buzzer, Adjustable 55...85 dB at 1 m | 24 Vdc | Black | XVPC09B | 0.153 (0.34) |
| | 120 Vac | Black | XVPC09G | 0.153 (0.34) |
| | 230 Va | Black | XVPC09M | 0.153 (0.34) |
| | 24 Vdc | Off-white | XVPC09BW | 0.153 (0.34) |
| | 120 Vac | Off-white | XVPC09GW | 0.153 (0.34) |
| | 230 Vac | Off-white | XVPC09MW | 0.153 (0.34) |

Tower Lights and Beacons

50 mm Diameter

Harmony® XVP



XVPC21



XVPC21W●

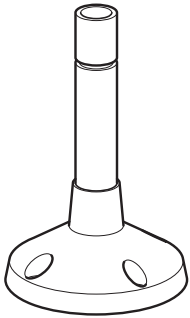
Base Units

Base Units for Direct or Tube Mounting

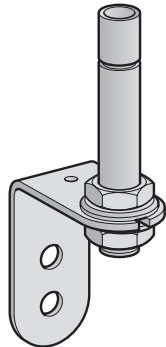
| Description | Color | Catalog Number | Weight kg (lb) |
|---|-----------|----------------|----------------|
| Base Unit + Cover for bared wires or wires with cable end | Black | XVPC21 | 0.125 (0.28) |
| | Off-white | XVPC21W | 0.125 (0.28) |
| Base Unit + Cover for eyelet tags | Off-white | XVPC21WR | 0.125 (0.28) |

Accessories

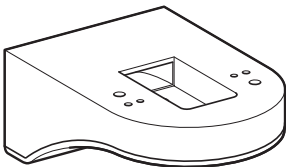
| Description | Height Under Base Unit mm (in) | Catalog Number | Weight kg (lb) |
|--|-----------------------------------|-------------------|-------------------|
| Aluminum Support Tube with Black Plastic Mounting Base | 89 (3.50) | XVPC02 | 0.112 (0.25) |
| | 237 (9.33) | XVPC03 | 0.173 (0.38) |
| | 387 (15.24) | XVPC04 | 0.253 (0.56) |
| Aluminum Support Tube with Off-white Plastic Mounting Base | 89 (3.50) | XVPC02W | 0.112 (0.25) |
| | 237 (9.33) | XVPC03W | 0.173 (0.38) |
| | 387 (15.24) | XVPC04W | 0.253 (0.56) |
| Aluminum Support Tube with L-shape bracket | 89 (3.50) | XVPC02T | 0.245 (0.54) |
| | 237 (9.33) | XVPC03T | 0.306 (0.67) |
| | 387 (15.24) | XVPC04T | 0.386 (0.85) |



XVPC0●●



XVPC0●T



XVPC12●

| Description | Application | Catalog Number | Weight kg (lb) |
|--|--|-------------------|-------------------|
| Mounting Plate for use on Vertical Support, Black | For mounting XVPC0●● support tubes with plastic mounting base | XVPC12 | 0.083 (0.18) |
| Mounting Plate for use on Vertical Support, Off-white | For mounting XVPC0●● support tubes with plastic mounting base | XVPC12W | 0.083 (0.18) |
| Bulb Mounting and Removal Tool | — | XVPCX13 | 0.015 (0.03) |

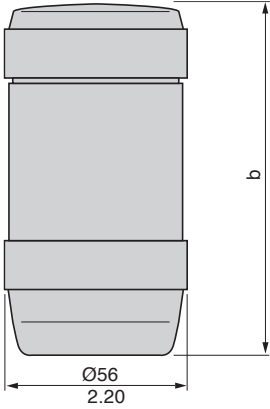
Tower Lights and Beacons

50 mm Diameter

Harmony® XVP

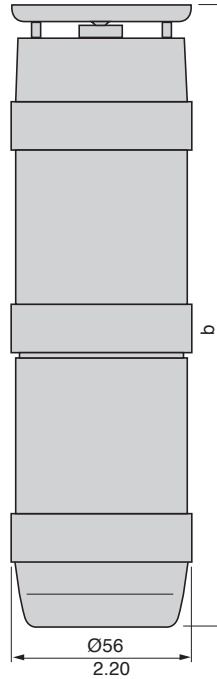
Tower Lights XVPC●●●

Without Audible Unit



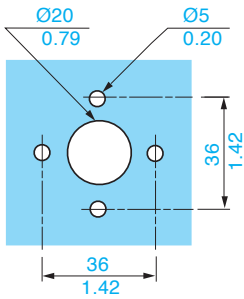
| Number of Illuminated Units | b mm (in) |
|-----------------------------|-------------|
| 1 | 108 (4.25) |
| 2 | 170 (6.69) |
| 3 | 232 (9.13) |
| 4 | 294 (11.57) |
| 5 | 356 (14.01) |

With Audible Unit



| Number of Illuminated Units | + Audible | b mm (in) |
|-----------------------------|-----------|-------------|
| 0 | + 1 | 129 (5.08) |
| 1 | + 1 | 194 (7.64) |
| 2 | + 1 | 256 (10.08) |
| 3 | + 1 | 318 (12.52) |
| 4 | + 1 | 380 (14.96) |

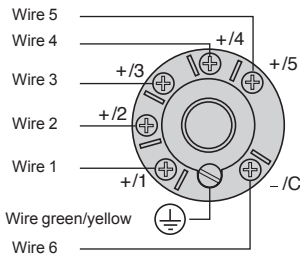
Drilling Plan for Direct Mounting (on base unit XVPC21●●)



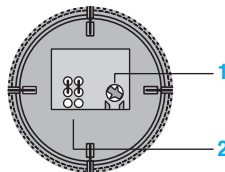
Dimensions $\frac{\text{mm}}{\text{in.}}$

Installation

Connections



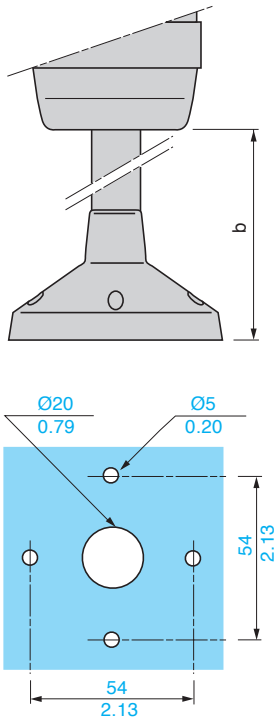
Adjustment of Audible Signal for XVPC09● Buzzers



- 1 Volume adjustment potentiometer: 55...85 dB. Use either a cross headed or flat tipped screwdriver.
- 2 Adjustment of type of audible signal according to position of two links. Use flat-nose pliers.
- 3 Ten configurations are possible, see table below. Factory set on position 5: continuous tone.

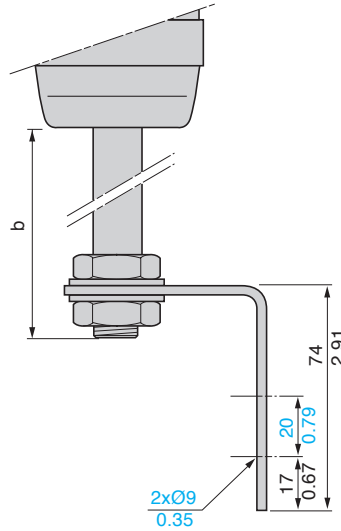
| 3 | Position of links | Type of Audible Signal | Position of Links | Type of Audible Signal |
|---|-------------------|------------------------|-------------------|------------------------|
| 1 | 5 ● 6 1 ○ 2 | | 6 | |
| 2 | 5 ○ 6 1 ● 2 | | 7 | |
| 3 | 5 ● 6 1 ○ 2 | | 8 | |
| 4 | 5 ○ 6 1 ● 2 | | 9 | |
| 5 | 5 ● 6 1 ○ 2 | | 10 | |

Support Tube XVPC0●● with Plastic Mounting Base



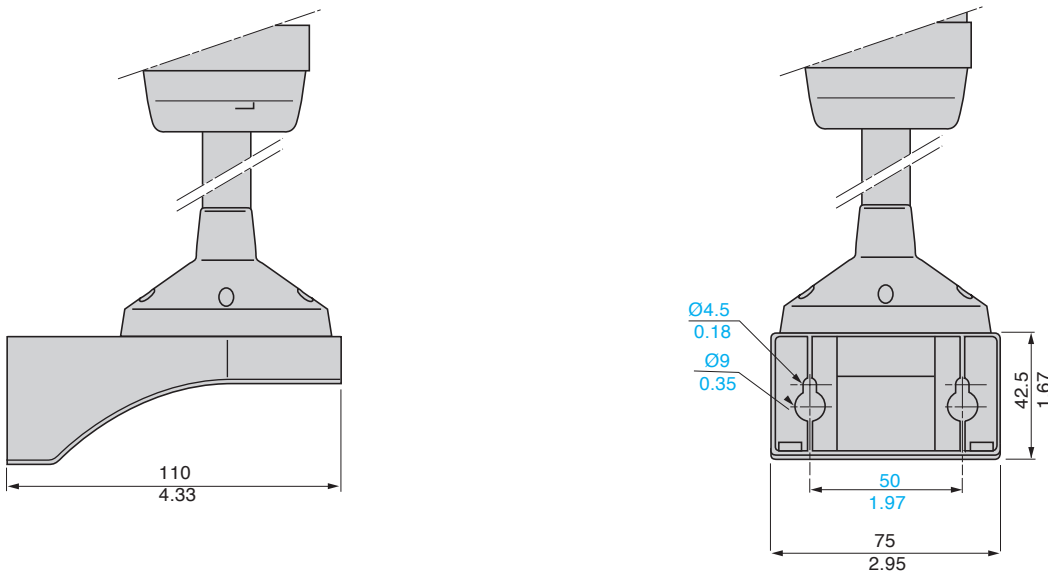
| Height under base unit | b mm (in) |
|------------------------|--------------|
| XVPC02● | 89 (3.50) |
| XVPC03● | 237 (9.33) |
| XVPC04● | 387 (15.24) |

Threaded Support Tube XVPC0●T with Metal Mounting Bracket



| Height under base unit | b mm (in) |
|------------------------|--------------|
| XVPC02T | 77 (3.03) |
| XVPC03T | 227 (8.94) |
| XVPC04T | 377 (14.84) |

Mounting Plate XVPC12● for use on a Vertical Support



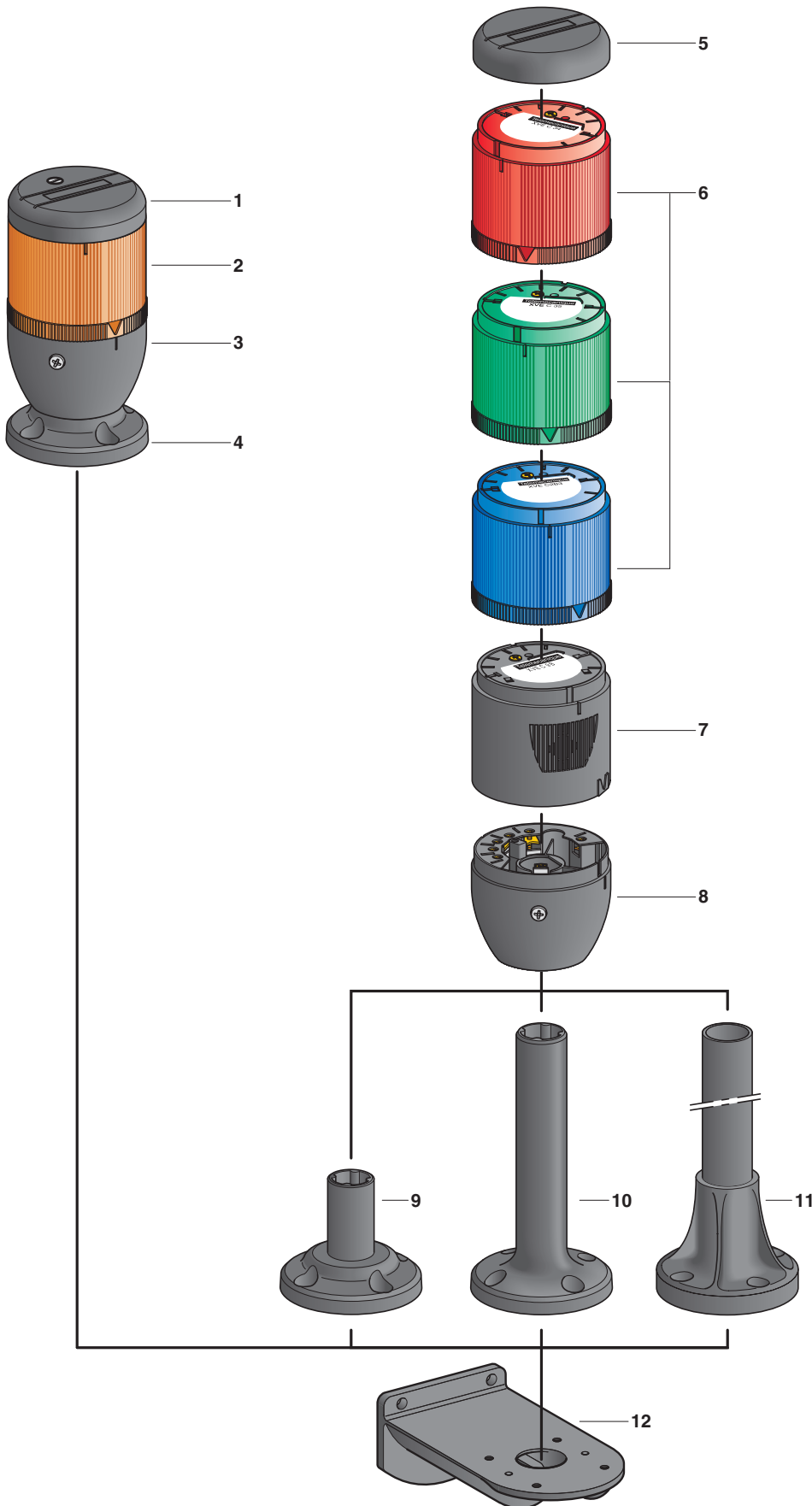
NOTE: Support tube XVPC0●● with plastic mounting base must be used.

Dimensions $\frac{\text{mm}}{\text{in.}}$

Tower Lights and Beacons

70 mm Diameter

Harmony® XVE



Description

Illuminated Beacon

The illuminated beacon is a complete product including:

- 1 A screw mounting cover.
- 2 One colored lens unit (green, red, orange, blue, or clear).
- 3 A base unit with terminal block and bottom cable entry.
- 4 A monobloc mounting base for mounting on machine.

Tower Light

The tower light is a customer assembled product using:

- 5 A cover.
- 6 1 to 5 colored lens units (green, red, orange, blue, or clear) with a choice of 3 types of signaling (steady, flashing or "flash").
- 7 1 audible unit.
- 8 A base unit (IP 42 or IP 54) with terminal block and bottom cable entry.
- 9 A plastic mounting base, 20 mm (0.787 in) high.
- 10 A plastic mounting base, 100 mm (3.94 in) high.
- 11 An aluminum support tube glued into a plastic mounting plate, for heights beneath the base unit of 80 (3.15), 380 (14.96), or 780 (30.71) mm (in).

To be ordered separately:

- 12 Mounting plate for mounting on vertical support.

Tower Lights and Beacons

70 mm Diameter

Harmony® XVE

Introduction

XVE tower lights and beacons are designed for remote signaling of the status of a machine, equipment or specific application, either visually using illuminated units that are visible throughout 360° or audibly using an 85 dB buzzer.

The XVE provides efficient signaling (5 colors available), at medium range distances (30 m (100 ft)), in both indoor and outdoor environments.

The standard configuration of the tower lights and beacons is an IP 42 degree of protection, which is sufficient for the majority of indoor applications.

Both the IP 42 pre-configured beacons and tower lights can be upgraded to IP 54 by using a sealing kit ⁽¹⁾.

Composition

- The beacons are supplied complete and incorporate a single steady or "flash" light illuminated unit and a short mounting base. They are ready to use.
- The tower lights must be assembled by the user and include: signaling units, mounted on a base unit and a mounting base. These various items can be selected from the catalog.
- For a tower light, a maximum of 5 illuminated units or 4 illuminated units + 1 audible unit can be assembled.
- The illuminated or audible units stack vertically and are easily fitted together. A screw secures their mounting. Electrical connections between each unit are made automatically as the units are mechanically assembled.
- All signaling units are identical in size and their positioning is unrestricted.

Signaling Functions

Steady Light Signaling

Two types of light source are available for steady light signaling:

- The incandescent BA 15d base fitting bulb, 5 W max. power, is recommended for infrequent usage and where no vibration or mechanical shock exists.
- LEDs are recommended for continuous usage: 100,000 operating hours without maintenance and low consumption. They have a good resistance to vibration. Using an LED of a color best suited to the color of the lens unit provides optimal luminosity.

Flashing Light Signaling

Flashing light signaling is also obtained using the LED. It meets requirements regarding reliability, continuous usage, and electronic simplicity.

A flashing function can also be obtained from a steady light LED illuminated unit by using a PLC output signal.

"Flash" Light Signaling

The light source is a 1 Joule discharge tube which delivers a powerful warning signal. It is available for the 5 colors.

Audible Signaling

Audible signaling is provided by a continuous tone buzzer with a power rating of 85 dB at 1 m.

Installation

Mounting

Fixed onto a support panel using a plastic monobloc mounting base or a mounting base which is comprised of an aluminum support tube glued into a plastic mounting plate.

Cabling

By means of terminal block incorporated in base unit.

Environment Specifications

| | | | |
|---|--|---------|---|
| Degree of Protection | Conforming to IEC 60529 | | IP 42 in vertical position, IP 40 for other positions IP 54 for reinforced protection version: for all mounting positions using mounting base XVEZ13, only in vertical position for other heights of mounting base |
| Product Certifications | | | UL, CSA, CCC |
| Approval | | | CE |
| Conformity to Standards | | | EN/IEC 60947-1, EN/IEC 60947-5-1 |
| Ambient Air Temperature | For storage | °C (°F) | -40...+70 (-40...158) |
| | For operation | °C (°F) | -25...+55 (-13...131) |
| Electric Shock Protection Conforming to IEC 61140 | Mounted on plastic support tube | | Class I |
| | Mounted on aluminum support tube | | Class I |
| Protective Treatment | | | Standard version: "TC" |
| Electronic Components Protection (LED and flash) | By integral fuse in series on the common | A | 0.63 (24 Vdc) |
| | | A | 0.16 (120...240 Vac) |

Electrical Specifications

| Illuminated Units | | | With Bulb, not included (lens unit only) | With Integral LED, Steady Light Signaling | With Integral LED, Flashing Light Signaling | With "Flash" Discharge Tube, 1 Joule |
|--|--------------------------------|--------------------|--|---|---|--------------------------------------|
| Rated Insulation Voltage (Ui) | Conforming to EN/IEC 60947-1 | V | 250 | 250 | 250 | 250 |
| Voltage Limits | Conforming to EN/IEC 60947-5-1 | V | 0.85...1.10 Un (Un: nominal voltage) | | | |
| Light Source | | | BA 15d base fitting bulb, maximum power 5 W (240 V max.) | LED | LED | "Flash" discharge tube, 1 Joule |
| Consumption | On 24 Vdc | mA | Depending on bulb used | < 25 | < 30 | < 145 on 24 Vac < 85 on 24 Vdc |
| | On 120 Vac | mA | Depending on bulb used | < 25 | < 25 | < 35 |
| | On 230/240 Vac | mA | Depending on bulb used | < 25 | < 25 | < 25 |
| Rated Impulse Withstand Voltage | Conforming to EN/IEC 60947-1 | kV | Uimp = 4 | | | |
| Illuminating Power | Average value for all colors | cds/m ² | 640 | 800 | 800 | — |
| Flashing Frequency | Nominal value | Hz | — | — | 1 | 1 |

Audible Units

| | | | |
|--------------------|-----------------------|-----|-------------------------|
| Consumption | On 24 Vdc | mA | < 15 |
| | On 120 Vac | mA | < 25 |
| | On 230/240 Vac | mA | < 25 |
| Power | Continuous tone | dB | 85 at 1 m |
| | Fundamental frequency | kHz | 2.6 for continuous tone |

Connection of Illuminated and Audible Units

| | | | |
|--|---|-----------------|--|
| Terminal Referencing | | | 1 terminal referenced "C" common to all 5 units 5 terminals referenced 1 to 5 |
| Connection | Maximum clamping capacity on protected, ready-to-tighten, screw and captive cable clamp terminals | mm ² | 1 x 1.5 with cable end 2 x 16 AWG |
| Torque Value for Wiring Terminals | | lb-in (N-m) | 4.4 (0.5) |



XVEL3●●



XVEL2●●



XVEL6●●

Illuminated Beacons with Steady Light Signaling

| Description | Light Source | Supply Voltage | Color of Lens Unit | Catalog Number | Weight kg (lb) |
|---|------------------------------------|----------------|--------------------|----------------|----------------|
| Complete Unit includes: - 1 screw mounting cover, - 1 illuminated unit, - 1 base unit, - 1 short mounting base | Bulb, not included, 5 W max. | 240 Vdc max. | Green | XVEL33 | 0.245 (0.54) |
| | | | Red | XVEL34 | 0.245 (0.54) |
| | | | Orange | XVEL35 | 0.245 (0.54) |
| | | | Blue | XVEL36 | 0.245 (0.54) |
| | | | Clear | XVEL37 | 0.245 (0.54) |
| | Illuminated unit with integral LED | 24 Vdc | Green | XVEL2B3 | 0.250 (0.55) |
| | | | Red | XVEL2B4 | 0.250 (0.55) |
| | | | Orange | XVEL2B5 | 0.250 (0.55) |
| | | | Blue | XVEL2B6 | 0.250 (0.55) |
| | | | Clear | XVEL2B7 | 0.250 (0.55) |
| | 120 Vac | Green | XVEL2G3 | 0.250 (0.55) | |
| | | Red | XVEL2G4 | 0.250 (0.55) | |
| | | Orange | XVEL2G5 | 0.250 (0.55) | |
| | | Blue | XVEL2G6 | 0.250 (0.55) | |
| | | Clear | XVEL2G7 | 0.250 (0.55) | |

Illuminated Beacons with "Flash" Light Signaling

| Description | Light source | Supply voltage | Color of Lens Unit | Catalog Number | Weight kg (lb) |
|---|--|----------------|--------------------|----------------|----------------|
| Complete Unit includes: - 1 screw mounting cover, - 1 illuminated unit, - 1 base unit, - 1 short mounting base | Illuminated unit with 1 Joule "flash" discharge tube | 24 Vdc | Green | XVEL6B3 | 0.270 (0.60) |
| | | | Red | XVEL6B4 | 0.270 (0.60) |
| | | | Orange | XVEL6B5 | 0.270 (0.60) |
| | | | Blue | XVEL6B6 | 0.270 (0.60) |
| | | | Clear | XVEL6B7 | 0.270 (0.60) |
| | | 120 Vac | Green | XVEL6G3 | 0.270 (0.60) |
| | | | Red | XVEL6G4 | 0.270 (0.60) |
| | | | Orange | XVEL6G5 | 0.270 (0.60) |
| | | | Blue | XVEL6G6 | 0.270 (0.60) |
| | | | Clear | XVEL6G7 | 0.270 (0.60) |



XVEC3●



XVEC2●●●



XVEC5●●●



XVEC6●●●



XVEC9●

Lens Units with Steady Light Signaling

| Description | Light Source | Supply Voltage | Color of Lens Unit | Catalog Number | Weight kg (lb) |
|---|------------------------------|----------------|--------------------|----------------|----------------|
| Lens Units Only for BA 15d Base Fitting Bulb | Bulb, not included, 5 W max. | 240 Vdc max. | Green | XVEC33 | 0.072 (0.16) |
| | | | Red | XVEC34 | 0.072 (0.16) |
| | | | Orange | XVEC35 | 0.072 (0.16) |
| | | | Blue | XVEC36 | 0.072 (0.16) |
| | | | Clear | XVEC37 | 0.072 (0.16) |
| Illuminated Units | Integral LED | 24 Vdc | Green | XVEC2B3 | 0.077 (0.17) |
| | | | Red | XVEC2B4 | 0.077 (0.17) |
| | | | Orange | XVEC2B5 | 0.077 (0.17) |
| | | | Blue | XVEC2B6 | 0.077 (0.17) |
| | | | Clear | XVEC2B7 | 0.077 (0.17) |
| | | 120 Vac | Green | XVEC2G3 | 0.077 (0.17) |
| | | | Red | XVEC2G4 | 0.077 (0.17) |
| | | | Orange | XVEC2G5 | 0.077 (0.17) |
| | | | Blue | XVEC2G6 | 0.077 (0.17) |
| | | | Clear | XVEC2G7 | 0.077 (0.17) |

Lens Units with Flashing Light Signaling

| | | | | | |
|--------------------------|--------------|---------|--------|----------------|--------------|
| Illuminated Units | Integral LED | 24 Vdc | Green | XVEC5B3 | 0.077 (0.17) |
| | | | Red | XVEC5B4 | 0.077 (0.17) |
| | | | Orange | XVEC5B5 | 0.077 (0.17) |
| | | | Blue | XVEC5B6 | 0.077 (0.17) |
| | | | Clear | XVEC5B7 | 0.077 (0.17) |
| | | 120 Vac | Green | XVEC5G3 | 0.077 (0.17) |
| | | | Red | XVEC5G4 | 0.077 (0.17) |
| | | | Orange | XVEC5G5 | 0.077 (0.17) |
| | | | Blue | XVEC5G6 | 0.077 (0.17) |
| | | | Clear | XVEC5G7 | 0.077 (0.17) |

Lens Units with "Flash" Light Signaling

| | | | | | |
|--------------------------|---------------------------------|---------|--------|----------------|--------------|
| Illuminated Units | "Flash" discharge tube, 1 Joule | 24 Vdc | Green | XVEC6B3 | 0.094 (0.21) |
| | | | Red | XVEC6B4 | 0.094 (0.21) |
| | | | Orange | XVEC6B5 | 0.094 (0.21) |
| | | | Blue | XVEC6B6 | 0.094 (0.21) |
| | | | Clear | XVEC6B7 | 0.094 (0.21) |
| | | 120 Vac | Green | XVEC6G3 | 0.094 (0.21) |
| | | | Red | XVEC6G4 | 0.094 (0.21) |
| | | | Orange | XVEC6G5 | 0.094 (0.21) |
| | | | Blue | XVEC6G6 | 0.094 (0.21) |
| | | | Clear | XVEC6G7 | 0.094 (0.21) |

Audible Units

| Description | Power | Supply Voltage | Catalog Number | Weight kg (lb) |
|----------------------------|------------------|----------------|----------------|----------------|
| Buzzer, Single Tone | 85 dB at 1 meter | 24 Vdc | XVEC9B | 0.090 (0.20) |
| | | 120 Vac | XVEC9G | 0.090 (0.20) |
| | | 230 V/240 Vac | XVEC9M | 0.090 (0.20) |



XVEC21



XVEC21P



XVEZ13

XVDC02



XVBZ02

XVBZ03/Z04



XVBZ01

XVBC12



XVEZ081



XVEZ082



XVEZ083



DL1BE-S

Base Units and Covers

| Usage | Composition | Catalog Number | Weight kg (lb) |
|-------|--|----------------|----------------|
| IP42 | Base unit and cover | XVEC21 | 0.110 (0.24) |
| IP54 | Base unit with seal + screw mounting cover + kit comprising 5 seals for lens units and buzzer + 1 seal for mounting base XVEZ13 | XVEC21P | 0.120 (0.26) |

Mounting Components

| Description | Height Under Base Unit mm (in) | Color | Catalog Number | Weight kg (lb) |
|--|--------------------------------|----------------|----------------|----------------|
| Plastic Mounting Bases | 20 (0.79) | Black | XVEZ13 | 0.040 (0.09) |
| | 100 (3.94) | Black | XVDC02 | 0.056 (0.12) |
| Mounting Bases (Aluminum Support Tube Glued into a Plastic Mounting Plate) | 80 (3.15) | Black aluminum | XVBZ02 | 0.110 (0.24) |
| | | Aluminum | XVBZ02A | 0.110 (0.24) |
| | 380 (14.96) | Black aluminum | XVBZ03 | 0.200 (0.44) |
| | | Aluminum | XVBZ03A | 0.200 (0.44) |
| | 780 (30.71) | Black aluminum | XVBZ04 | 0.325 (0.72) |
| | | Aluminum | XVBZ04A | 0.325 (0.72) |

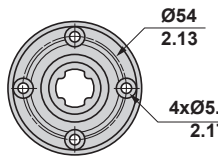
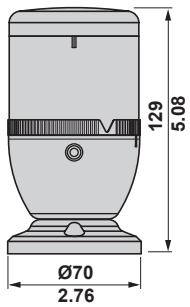
| Description | For | Material | Catalog Number | Weight kg (lb) |
|--|---|----------|----------------|----------------|
| Mounting Plate | Ø 25 mm (0.98 in) aluminum support tube (to be glued into mounting plate) | Plastic | XVBZ01 | 0.050 (0.11) |
| Mounting Plate for use on Vertical Support | Mounting beacons and indicator banks (requires a mounting base) | Zamak | XVBC12 | 0.380 (0.84) |

Accessories

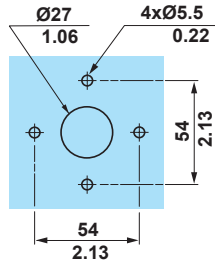
| Description | For use with | Composition | Catalog Number | Weight kg (lb) |
|-------------------|--------------------------|--|----------------|----------------|
| Cover | Tower lights and beacons | — | XVEZ081 | 0.010 (0.02) |
| IP 54 Sealing Kit | Tower lights | 5 toric seals for lens units + base unit seal + 1 mounting plate seal + 1 seal for mounting base XVEZ13 + screw mounting cover | XVEZ082 | 0.015 (0.03) |
| | Beacons | 1 lens unit seal + 1 base unit seal + 2 mounting base seals | XVEZ083 | 0.005 (0.01) |

| Description | Electrical Specifications | Sold in lots of | Catalog Number | Weight kg (lb) |
|--|---------------------------|-----------------|----------------|----------------|
| Incandescent Bulbs with BA 15d Base for XVEL3● and XVE C3● | 5 W 24 Vdc | 10 | DL1BEBS | 0.100 (0.22) |
| | 5 W 120 Vdc | 10 | DL1BEGS | 0.100 (0.22) |
| | 5 W 230 Vdc | 10 | DL1BEMS | 0.100 (0.22) |
| Description | Application | Catalog Number | Weight kg (lb) | |
| Bulb Mounting and Removal Tool | | XVPCX13 | 0.015 (0.03) | |

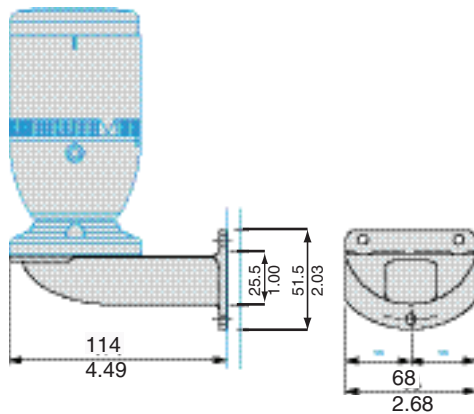
Illuminated Beacons XVEL●●●



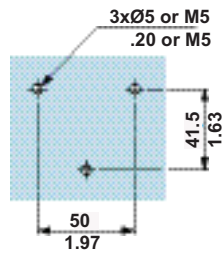
Panel Cut-out for Mounting Directly on Mounting Base



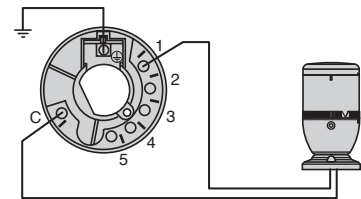
Mounting on Mounting Plate XVBC12



Vertical Support Panel Drillings for Mounting Plate XVBC12

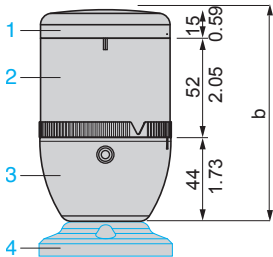


Wiring Scheme



Dimensions $\frac{\text{mm}}{\text{in.}}$

Tower Lights XVEC●●●



- 1 Cover XVEZ081 or cover XVEC21/C21P (with base unit),
- 2 Illuminated units XVEC●●● and/or audible unit XVEC9●●,
- 3 Base unit XVEC21/C21P,
- 4 Mounting bases (see below).

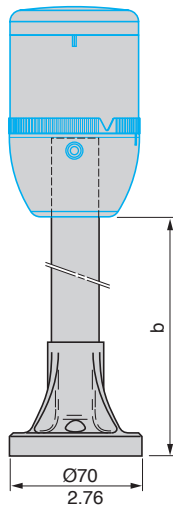
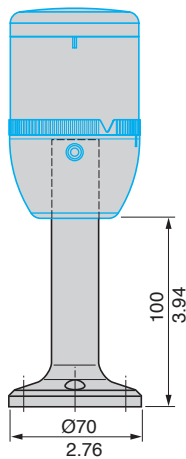
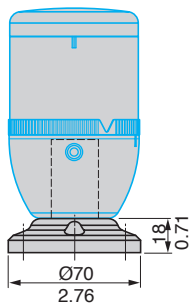
| Height of Indicator Bank | | |
|--------------------------|-------------|--|
| Number of Units (ref. 2) | b (mm (in)) | |
| 1 | 111 (4.37) | |
| 2 | 163 (6.42) | |
| 3 | 215 (8.46) | |
| 4 | 267 (10.51) | |
| 5 | 319 (12.56) | |

Mounting Bases (height under base unit)

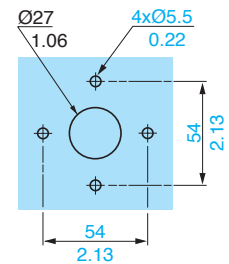
XVEZ13

XVDC02

XVB0●●



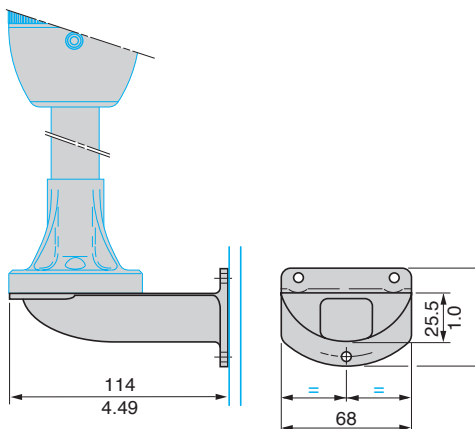
Drilling Plan



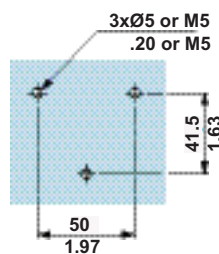
Height Under Base Unit

| Mounting Base | b (mm (in)) |
|---------------|-------------|
| XVBZ02/Z02A | 80 (3.15) |
| XVBZ03/Z03A | 380 (14.31) |
| XVBZ04/Z04A | 780 (30.71) |

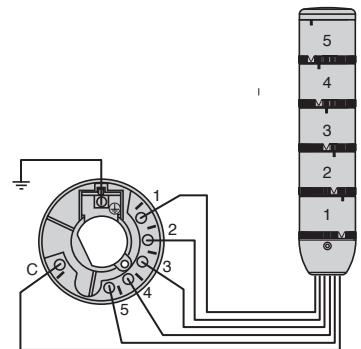
Mounting Plate XVBC12



Drilling Plan for Mounting Plate XVBC12



Wiring Scheme

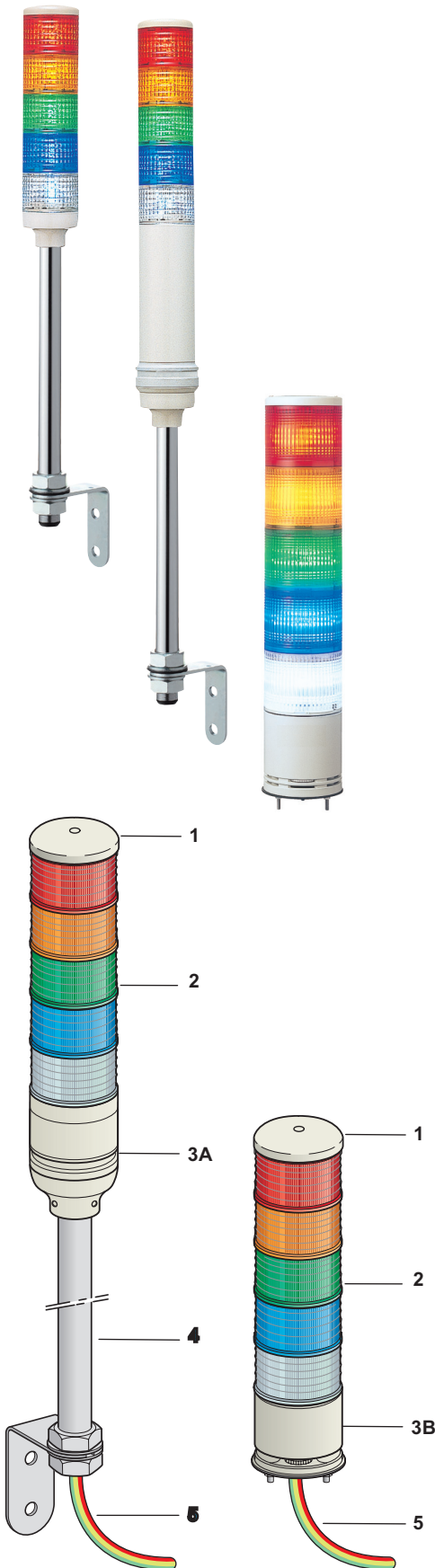


Dimensions $\frac{\text{mm}}{\text{in.}}$

Tower Lights and Beacons

Preassembled Tower Lights

Harmony® XVC



Introduction

Harmony XVC tower lights are designed for long-distance indication of the operating states or sequences of a machine with illuminated signaling units or adjustable audible buzzer.

- Available in 40, 60 and 100 mm diameter sizes:
 - XVC4 (40 mm) tower lights are used in the food-processing and medical sectors.
 - XVC6 (60 mm) tower lights are used in semi-conductor factories, on conveyor belts, and on small food or drink dispensing machines in the commercial sector.
 - XVC1 (100 mm) tower lights are particularly designed for industrial applications and machine-tools.
- The entire range provides an IP 54 degree of protection.
- XVC tower lights are supplied:
 - with 1, 2, 3, 4, or 5 illuminated signaling units
 - with or without a buzzer
 - preassembled and pre-wired
 - with a support tube and bracket for mounting on a vertical support or 3 screws for direct mounting on a horizontal surface

Illuminated signaling

Several lens unit colors are available:

- 5 colors (red, orange, green, blue, and clear)
- Lens colors are always placed in that order, from top to bottom.
- The light source consists of super-bright LEDs for optimum luminosity.

Audible signaling

The tower light may be supplied with an audible, signaling unit buzzer located in the base of the unit.

For 60 mm or 100 mm tower lights equipped with a buzzer, the type of signal (continuous or intermittent) can be reversed by modifying the cable connections.

A potentiometer is also present in the base for adjusting the audible signaling volume, up to a value of:

- 85 decibels for XVC1●●K and XVC1●●SK (equipped with a buzzer),

Cabling

XVC tower lights include a color coded, pre-wiring harness with a wiring diagram label.

XVC tower lights are preassembled and pre-wired at the factory and cannot be modified because the wires are soldered.

Description

The XVC tower lights assembly is comprised of:

- 1 A cover.
- 2 1, 2, 3, 4, or 5 colored illuminated signaling units (red, orange, green, blue, or clear). Each illuminated unit is equipped with a super-bright LED.
- 3 A base mounted on a support tube **3A**, or a base fitted with three screws **3B** for direct mounting on a horizontal surface.
- 4 A chromium plated steel support tube mounted on a bracket, for mounting on a vertical support.
- 5 A color-coded, pre-wiring harness.

Tower Lights and Beacons

Preassembled Tower Lights

40 and 60 mm Diameter

Harmony® XVC

| Environment Specifications | | | | | | |
|--|--|--|---|---|--|-----|
| | | XVC4B● XVC4B●5S XVC4B●K | XVC6B● XVC6B●5S XVC6B●K XVC6B●5SK | XVC4M● XVC4M●5S | XVC6M● XVC6M●5S XVC6M●K XVC6M●5SK | |
| Product Certifications | | CE, UL recognized EI64353, CCN NKCR, CSA LR44087 CLASS 311-03, RoHS | | | | |
| Conformity to Standards | | EN/IEC 61000-6-2 EN/IEC 61000-6-3 UL508, CSA 22.2 No. 14 | EN/IEC 61000-6-2 EN/IEC 61000-6-3 EN/IEC 61000-6-4 UL508, CSA 22.2 No. 14 | EN/IEC 60947-1 EN/IEC 60947-5-1 UL508, CSA 22.2 No. 14 | | |
| Protective Treatment | Conforming to UTE C63-100 | "TC" | | | | |
| Ambient Air Temperature | Storage | °C (°F) - 35...+ 70 (- 31...+ 158) | | | | |
| | Operation | °C (°F) - 10...+ 50 (- 14...+ 122) | | | | |
| Electric Shock Protection conforming to EN/IEC 61140 | Mounted on support tube | Class I | | | | |
| | Mounted on base | Class II | | | Class I | |
| Degree of Protection conforming to EN/IEC 60529 | Mounted on support tube | IP 54 (Flat surface installation) | | | | |
| | Mounted on base | IP 23 (Vertical surface installation) IP 54 (Flat surface installation) | | | | |
| Material | Top cover | PBT + ABS (UL94HB) | | | PBT + ABS (UL94V-0) | |
| | Illuminated lens unit | PC (polycarbonate) | | | | |
| | Base | ABS or PBT + ABS | | | | |
| | Support tube | SGP steel (chromium-plated) | STK steel (chromium-plated) | SGP steel (chromium-plated) | STK steel (chromium-plated) | |
| | L-shape mounting bracket | SPCC (Cr3 + chromium-plated) | | | | |
| Light source | | LED | | | | |
| Electrical Specifications | | | | | | |
| Rated Voltage | | V | 24 Vac/dc | 100 - 240 Vac/dc | | |
| Rated Impulse withstand Voltage | | kV | 0.8 | 4 | | |
| Consumption - at rated voltage (for XVC4B● / XVC6B●) - at 100 Vac (for XVC4M● / XVC6M●) | Steady light | 1 unit | mA | 25 | 30 | 35 |
| | | 2 units | mA | 50 | 45 | 50 |
| | | 3 units | mA | 75 | 60 | |
| | | 4 units | mA | 100 | 75 | |
| | | 5 units | mA | 125 | 90 | |
| | Steady/flashing light with buzzer | 1 unit | mA | 65 | 50 | 60 |
| | | 2 units | mA | 90 | 65 | 75 |
| | | 3 units | mA | 115 | 80 | 85 |
| | | 4 units | mA | 140 | 95 | 100 |
| | | 5 units | mA | 165 | 110 | 115 |
| Audible Units | Sound level (continuous or intermittent tone) at 1 m | dB | 70...85 | | | |
| | Fundamental frequency | kHz | 2.23 | | | |
| Flashing Frequency of Illuminated Units | | Hz | 1 | | | |
| Connection | Cable diameter | mm ² | Wire c.s.a. 0.33 mm ² / AWG 22 (1) | | Wire c.s.a. 0.33 mm ² / AWG 22 (1) Wire c.s.a. 0.83 mm ² / SPT-1 AWG 18 (1) | |
| | Cable length | mm (in) | 600 (23.62) for XVC4B● 900 (35.43) for XVC4B●5S 500 (19.68) for XVC4B●K | 600 (23.62) for XVC6B● 550 (21.65) for XVC6B●5S 850 (33.46) for XVC6B●K and XVC6B●5SK | 450 (17.71) XVC6M● : - 450 (17.71) signal - 550 (21.65) power - 550 (21.65) ground XVC6M●5S : - 450 (17.71) signal - 450 (17.71) power - 450 (17.71) ground XVC6M●K and XVC6M●5SK : - 750 (29.53) signal - 850 (33.46) power - 850 (33.46) ground | |

(1) AWG : American Wire Gauge.

Tower Lights and Beacons

Preassembled Tower Lights

100 mm Diameter

Harmony® XVC

| Environment Specifications | | | | |
|---|--------------------------------------|--|--|------------|
| Type of Tower Light | | XVC1B●K XVC1B●SK | XVC1M●K XVC1M●SK | |
| Product Certifications | | CE, UL recognized EI64353, CCN NKCR, CSA LR44087 CLASS 311-03, RoHS | | |
| Conformity to Standards | | EN/IEC 61000-6-2 EN/ IEC 61000-6-3 EN/IEC 61000-6-4 UL508 CSA 22.2 No. 14 | EN/IEC 60947-1 EN/IEC 60947-5-1 UL508 CSA 22.2 No. 14 | |
| Protective Treatment | Conforming to UTE C63-100 | "TC" | | |
| Ambient Air Temperature | Storage | °C (°F) | - 35...+ 70 (- 31...+ 158) | |
| | Operation | °C (°F) | - 30...+ 50 (- 22...+ 122) | |
| Electric Shock Protection conforming to EN/IEC 61140 | Mounted on support tube | — | | |
| | Mounted on base | Class II | Class I | |
| Degree of Protection conforming to EN/IEC 60529 | Mounted on support tube | — | | |
| | Mounted on base | IP 54 (Flat surface installation) | | |
| Material | Top cover | PBT + ABS (UL94-V0) | | |
| | Illuminated lens unit | PC (polycarbonate) | | |
| | Base | PBT + ABS (UL94-V0) | | |
| | Support tube | — | | |
| | L mounting bracket | — | | |
| Light Source | | LED | | |
| Electrical Specifications | | | | |
| Rated Voltage | | V | 24 Vdc 100 - 240 Vac | |
| Rated Impulse withstand Voltage | | kV | 0.8 4 | |
| Consumption - at rated voltage (for XVC1B●) - at 100 Vac (for XVC1M●) | Steady/flashing light | 1 unit | mA | 100 75 |
| | | 2 units | mA | 200 120 |
| | | 3 units | mA | 300 160 |
| | | 4 units | mA | 400 215 |
| | | 5 units | mA | 500 270 |
| | Steady/flashing light with buzzer | 1 unit | mA | 150 85 |
| | | 2 units | mA | 250 130 |
| | | 3 units | mA | 350 170 |
| | | 4 units | mA | 450 230 |
| | | 5 units | mA | 550 280 |
| Audible Units | Sound level at 1 m | dB | 60...85 (continuous or intermittent tone) | |
| Flashing Frequency of Illuminated Units | | Hz | 0.7...3 | |
| Connection | Cable diameter | Wire c.s.a.: 0.33 mm ² / 22 AWG (1) Wire c.s.a.: 0.83 mm ² / 18 AWG (1) | | |
| | Cable length | mm (in) | 500 (19.68) | |

(1) AWG: American Wire Gauge.

Tower Lights and Beacons

Preassembled Tower Lights

40 mm Diameter

Harmony® XVC



XVC4B5

XVC4B55S

Complete, Pre-wired Tower Lights 40 mm Diameter

| Description | Light Source (included) | Voltage | Signaling Colors (1) | | Catalog Number | Weight kg (lb) |
|---|----------------------------------|---------------|----------------------|-----------------|-----------------|----------------|
| | | | Steady | Flashing (2) | | |
| For Support Tube Mounting, 17 mm | | | | | | |
| Without Buzzer | LED for steady light only | 24 Vac/dc | R | — | XVC4B1 | 0.500 (1.10) |
| | | | R, O | — | XVC4B2 | 0.520 (1.15) |
| | | | R, O, G | — | XVC4B3 | 0.540 (1.19) |
| | | | R, O, G, B | — | XVC4B4 | 0.560 (1.23) |
| | | | R, O, G, B, C | — | XVC4B5 | 0.580 (1.28) |
| | 100-240 Vac | R | — | XVC4M1 | 0.720 (1.59) | |
| | | R, O | — | XVC4M2 | 0.750 (1.65) | |
| | | R, O, G | — | XVC4M3 | 0.780 (1.72) | |
| | | R, O, G, B | — | XVC4M4 | 0.810 (1.79) | |
| | | R, O, G, B, C | — | XVC4M5 | 0.840 (1.85) | |
| With Buzzer + Flashing Light | LED for steady or flashing light | 24 Vac/dc | R | R | XVC4B15S | 0.600 (1.32) |
| | | | R, O | R, O | XVC4B25S | 0.620 (1.37) |
| | | | R, O, G | R, O, G | XVC4B35S | 0.640 (1.41) |
| | | | R, O, G, B | R, O, G, B | XVC4B45S | 0.660 (1.46) |
| | | | R, O, G, B, C | R, O, G, B, C | XVC4B55S | 0.680 (1.50) |
| | 100-240 Vac | R | R | XVC4M15S | 0.740 (1.63) | |
| | | R, O | R, O | XVC4M25S | 0.770 (1.70) | |
| | | R, O, G | R, O, G | XVC4M35S | 0.800 (1.76) | |
| | | R, O, G, B | R, O, G, B | XVC4M45S | 0.830 (1.83) | |
| | | R, O, G, B, C | R, O, G, B, C | XVC4M55S | 0.860 (1.90) | |

For Base Mounting

| | | | | | | |
|-----------------------|---------------------------|-----------|---------------|---|----------------|--------------|
| Without Buzzer | LED for steady light only | 24 Vac/dc | R | — | XVC4B1K | 0.100 (0.22) |
| | | | R, O | — | XVC4B2K | 0.120 (0.26) |
| | | | R, O, G | — | XVC4B3K | 0.140 (0.31) |
| | | | R, O, G, B | — | XVC4B4K | 0.160 (0.35) |
| | | | R, O, G, B, C | — | XVC4B5K | 0.180 (0.40) |

Accessories for Support Tube Mounting

| Description | Diameter mm (in) | Minimum Height to be Added mm (in) | Catalog Number | Weight kg (lb) |
|---|------------------|------------------------------------|----------------|----------------|
| Die-cast Metal Mounting Base (3) | 90 | 32 | XVCZ11 | 0.100 (0.22) |
| Plastic Mounting Base (4) | 84 | 24.5 | XVCZ01 | 0.060 (0.13) |
| Wall Mounting Bracket (5) | — | 82 | XVCZ31 | 0.130 (0.29) |

(1) Signaling colors: R: Red, O: Orange, G: Green, B: Blue, C: Clear. The colors are listed in the same order as the mounting order of the illuminated units (from top to bottom).

(2) Flashing function can be simply selected/programmed by wiring.

(3) For use with XVC4B● and XVC4B●5S

(4) For use with XVC4B● and XVC4B●5S (customer must discard the support tube)

(5) For use with XVC4B● and XVC4B●5S



XVCZ11



XVCZ01



XVCZ31

Tower Lights and Beacons

Preassembled Tower Lights

60 mm Diameter

Harmony® XVC



XVC6B5

XVC6M5



XVC6B5K

XVC6M5K



XVCZ02



XVCZ12



XVCZ32

Complete, Pre-wired Tower Lights 60 mm Diameter

| Description | Light Source (included) | Voltage | Signaling Colors (1) | | Catalog Number | Weight kg (lb) |
|---|----------------------------------|-------------|----------------------|---------------|----------------|----------------|
| | | | Steady | Flashing (2) | | |
| For Support Tube Mounting, 22 mm | | | | | | |
| Without Buzzer | LED for steady light only | 24 Vac/dc | R | — | XVC6B1 | 0.700 (1.54) |
| | | | R, O | — | XVC6B2 | 0.740 (1.63) |
| | | | R, O, G | — | XVC6B3 | 0.780 (1.72) |
| | | | R, O, G, B | — | XVC6B4 | 0.820 (1.81) |
| | | | R, O, G, B, C | — | XVC6B5 | 0.860 (1.90) |
| | | 100-240 Vac | R | — | XVC6M1 | 0.960 (2.12) |
| | | | R, O | — | XVC6M2 | 1.020 (2.25) |
| | | | R, O, G | — | XVC6M3 | 1.070 (2.36) |
| | | | R, O, G, B | — | XVC6M4 | 1.120 (2.47) |
| | | | R, O, G, B, C | — | XVC6M5 | 1.180 (2.60) |
| With Buzzer + Flashing Light | LED for steady or flashing light | 24 Vac/dc | R | R | XVC6B15S | 0.900 (1.98) |
| | | | R, O | R, O | XVC6B25S | 0.940 (2.07) |
| | | | R, O, G | R, O, G | XVC6B35S | 0.980 (2.16) |
| | | | R, O, G, B | R, O, G, B | XVC6B45S | 1.020 (2.25) |
| | | | R, O, G, B, C | R, O, G, B, C | XVC6B55S | 1.060 (2.34) |
| | | 100-240 Vac | R | R | XVC6M15S | 1.010 (2.23) |
| | | | R, O | R, O | XVC6M25S | 1.070 (2.36) |
| | | | R, O, G | R, O, G | XVC6M35S | 1.120 (2.47) |
| | | | R, O, G, B | R, O, G, B | XVC6M45S | 1.170 (2.58) |
| | | | R, O, G, B, C | R, O, G, B, C | XVC6M55S | 1.230 (2.71) |

For Base Mounting

| | | | | | | |
|-------------------------------------|----------------------------------|-------------|---------------|---------------|-----------|--------------|
| Without Buzzer | LED for steady light only | 24 Vac/dc | R | — | XVC6B1K | 0.200 (0.44) |
| | | | R, O | — | XVC6B2K | 0.250 (0.55) |
| | | | R, O, G | — | XVC6B3K | 0.300 (0.66) |
| | | | R, O, G, B | — | XVC6B4K | 0.350 (0.77) |
| | | | R, O, G, B, C | — | XVC6B5K | 0.400 (0.88) |
| | | 100-240 Vac | R | — | XVC6M1K | 0.440 (0.97) |
| | | | R, O | — | XVC6M2K | 0.500 (1.10) |
| | | | R, O, G | — | XVC6M3K | 0.550 (1.21) |
| | | | R, O, G, B | — | XVC6M4K | 0.600 (1.32) |
| | | | R, O, G, B, C | — | XVC6M5K | 0.660 (1.46) |
| With Buzzer + Flashing Light | LED for steady or flashing light | 24 Vac/dc | R | R | XVC6B15SK | 0.200 (0.44) |
| | | | R, O | R, O | XVC6B25SK | 0.250 (0.55) |
| | | | R, O, G | R, O, G | XVC6B35SK | 0.300 (0.66) |
| | | | R, O, G, B | R, O, G, B | XVC6B45SK | 0.350 (0.77) |
| | | | R, O, G, B, C | R, O, G, B, C | XVC6B55SK | 0.400 (0.88) |
| | | 100-240 Vac | R | R | XVC6M15SK | 0.490 (1.08) |
| | | | R, O | R, O | XVC6M25SK | 0.550 (1.21) |
| | | | R, O, G | R, O, G | XVC6M35SK | 0.600 (1.32) |
| | | | R, O, G, B | R, O, G, B | XVC6M45SK | 0.650 (1.43) |
| | | | R, O, G, B, C | R, O, G, B, C | XVC6M55SK | 0.710 (1.57) |

Accessories for Support Tube Mounting and Base Mounting

| Description | For Use With | Diameter mm (in) | Minimum Height to be Added mm (in) | Catalog Number | Weight kg (lb) |
|---|------------------------|------------------|------------------------------------|----------------|----------------|
| Die-cast Metal Mounting Base for Support-tube Mounting | XVC6●● and XVC6●●5S | 100 (3.94) | 30 (1.18) | XVCZ02 | 0.080 (0.18) |
| Stamped Metal Plate for Base Mounting | XVC6●● K and XVC6●●5SK | 84 (3.31) | 21.6 (0.85) | XVCZ12 | 0.100 (0.22) |
| Wall Mounting Bracket for Support-tube Mounting | XVC6●● and XVC6●●5S | — | 82 (3.23) | XVCZ32 | 0.130 (0.29) |

(1) Signaling colors: R: Red, O: Orange, G: Green, B: Blue, C: Clear. The colors are listed in the same order as the mounting order of the illuminated units (from top to bottom).

(2) Flashing function can be simply selected/programmed by wiring.

Tower Lights and Beacons

Preassembled Tower Lights

100 mm Diameter

Harmony® XVC



XVC1●5K
XVC1●5SK

Complete, Pre-wired Tower Lights 100 mm Diameter

| Description | Light Source (included) | Voltage | Signaling Colors (1) | | Catalog Number | Weight kg (lb) |
|---|----------------------------------|-------------|----------------------|---------------|-----------------|----------------|
| | | | Steady | Flashing (2) | | |
| For Base Mounting | | | | | | |
| Without Buzzer With Flashing Light | LED for steady or flashing light | 24 Vdc | R | R | XVC1B1K | 0.700 (1.54) |
| | | | R, O | R, O | XVC1B2K | 0.900 (1.98) |
| | | | R, O, G | R, O, G | XVC1B3K | 1.100 (2.43) |
| | | | R, O, G, B | R, O, G, B | XVC1B4K | 1.300 (2.87) |
| | | | R, O, G, B, C | R, O, G, B, C | XVC1B5K | 1.500 (3.31) |
| | | 100-240 Vac | R | R | XVC1M1K | 1.000 (2.20) |
| | | | R, O | R, O | XVC1M2K | 1.200 (2.65) |
| | | | R, O, G | R, O, G | XVC1M3K | 1.400 (3.07) |
| | | | R, O, G, B | R, O, G, B | XVC1M4K | 1.600 (3.53) |
| | | | R, O, G, B, C | R, O, G, B, C | XVC1M5K | 1.800 (3.97) |
| With Buzzer + Flashing Light | LED for steady or flashing light | 24 Vdc | R | R | XVC1B1SK | 0.700 (1.54) |
| | | | R, O | R, O | XVC1B2SK | 0.900 (1.98) |
| | | | R, O, G | R, O, G | XVC1B3SK | 1.100 (2.43) |
| | | | R, O, G, B | R, O, G, B | XVC1B4SK | 1.300 (2.87) |
| | | | R, O, G, B, C | R, O, G, B, C | XVC1B5SK | 1.500 (3.31) |
| | | 100-240 Vac | R | R | XVC1M1SK | 1.050 (2.31) |
| | | | R, O | R, O | XVC1M2SK | 1.250 (2.76) |
| | | | R, O, G | R, O, G | XVC1M3SK | 1.450 (3.20) |
| | | | R, O, G, B | R, O, G, B | XVC1M4SK | 1.650 (3.64) |
| | | | R, O, G, B, C | R, O, G, B, C | XVC1M5SK | 1.850 (4.08) |



XVCZ13

Accessories for Mounting on Vertical Support

| Description | For Use With | Diameter mm (in) | Height mm (in) | Catalog Number | Weight kg (lb) |
|------------------------------|----------------------|------------------|----------------|----------------|----------------|
| Mount Tube and Base | XVC1●●K and XVC1●●SK | 140 (5.51) | 300 (11.81) | XVCZ13 | 0.700 (1.54) |
| L-shape Mount Bracket | XVC1●●K and XVC1●●SK | — | — | XVCZ23 | 0.380 (0.84) |

(1) Signaling colors: R: Red, O: Orange, G: Green, B: Blue, C: Clear. The colors are listed in the same order as the mounting order of the illuminated units (from top to bottom).

(2) Flashing function can be simply selected/programmed by wiring.

Tower Lights and Beacons

Preassembled Tower Lights

40 mm Diameter

Harmony® XVC

Preassembled and Pre-wired Tower Lights

With Support Tube Mounting

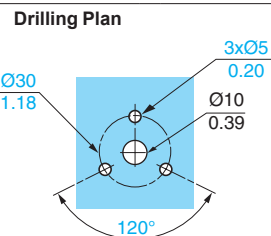
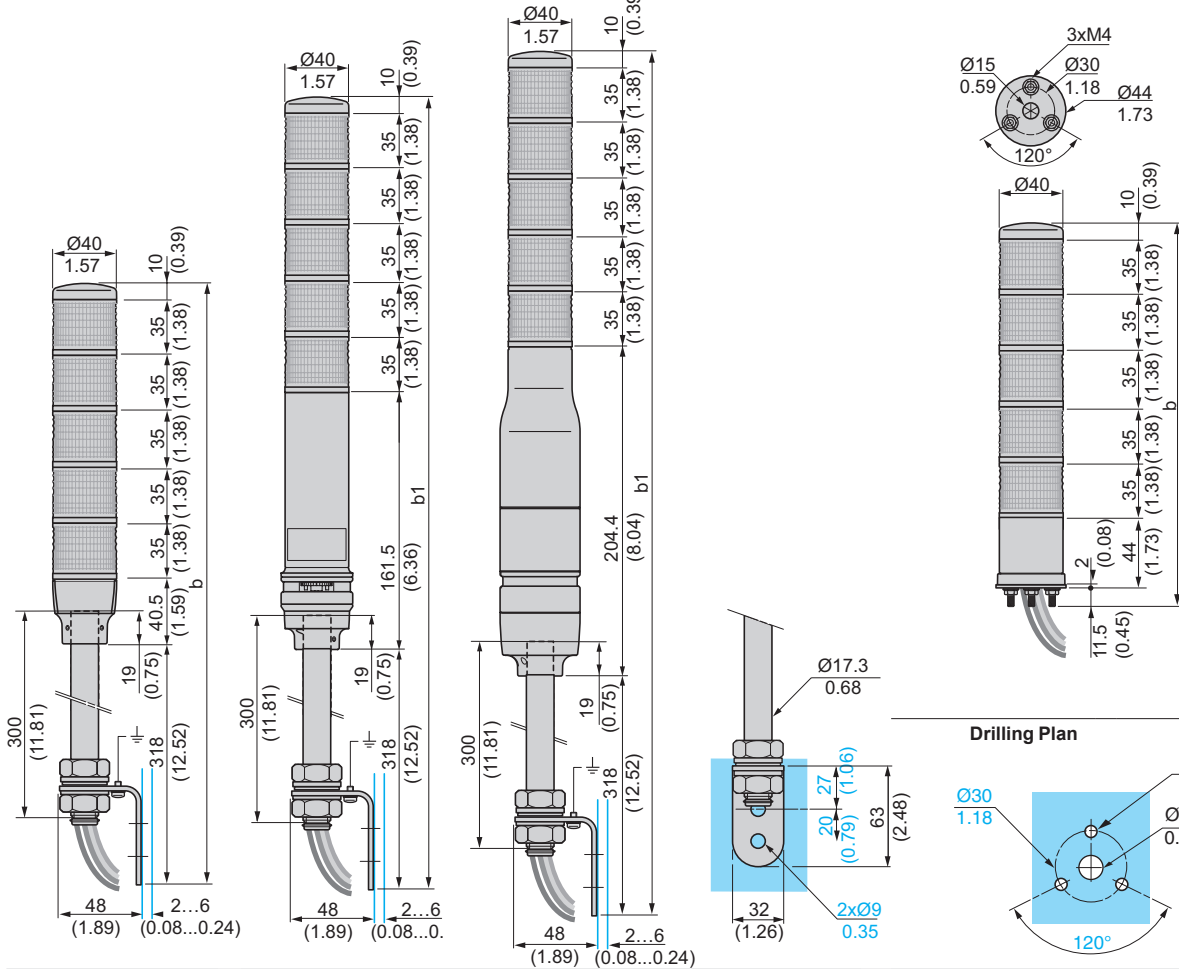
XVC4B●

XVC4B●5S

XVC4M●, XVC4M●5S

For Direct Mounting on Horizontal Support

XVC4B●K



Height of Preassembled and Pre-wired Tower Lights

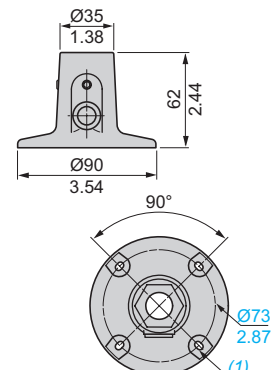
| No. of Illuminated Units | b Without Buzzer mm (in) | b1 With buzzer mm (in) | | No. of Illuminated Units | b Without Buzzer mm (in) |
|--------------------------|-----------------------------|---------------------------|------------------|--------------------------|-----------------------------|
| | | XVC4B●5S | XVC4M●, XVC4M●5S | | |
| 1 stage | 403.5 (15.89) | 524.5 (20.65) | 567.2 (22.33) | 1 stage | 100.5 (3.96) |
| 2 stages | 438.5 (17.26) | 559.5 (22.03) | 602.2 (23.71) | 2 stages | 135.5 (5.33) |
| 3 stages | 473.5 (18.64) | 594.5 (23.41) | 637.2 (28.09) | 3 stages | 170.5 (6.71) |
| 4 stages | 508.5 (20.02) | 629.5 (24.78) | 672.2 (26.46) | 4 stages | 205.5 (8.09) |
| 5 stages | 543.5 (21.40) | 664.5 (26.16) | 707.2 (27.84) | 5 stages | 240.5 (9.47) |

Accessories for Tower Lights Type XVC4●● and XVC4●●5S

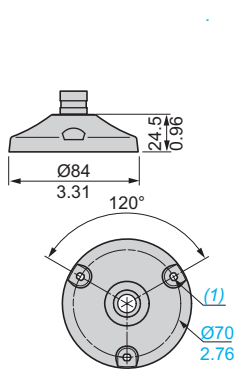
Die-cast Metal Mounting Base, XVCZ11

Plastic Mounting Base, XVCZ01

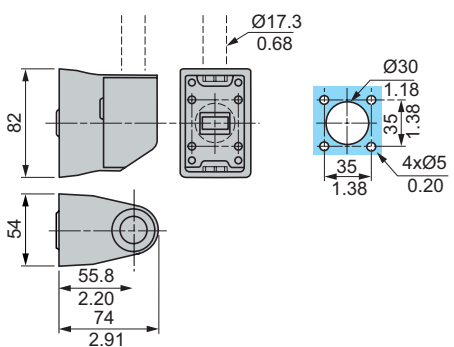
Wall Mounting Bracket, XVCZ31



(1) 4 elongated holes Ø 4.2 x 5.



(1) 3 elongated holes Ø 4.2 x 5



Dimensions mm
in.

Tower Lights and Beacons

Preassembled Tower Lights

60 mm Diameter

Harmony® XVC

Preassembled and Pre-wired Tower Lights

With Support Tube Mounting

For Mounting on Horizontal Support
(direct or with mounting plate)

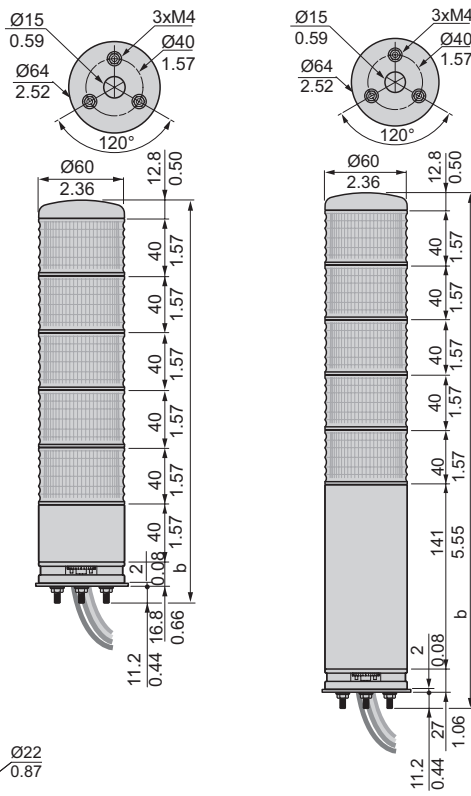
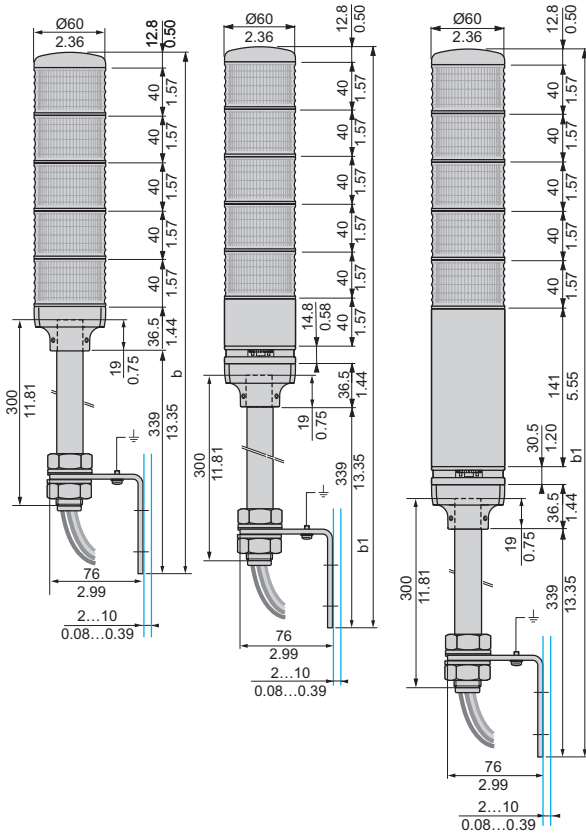
XVC6B●

XVC6B●5S

XVC6M●,
XVC6M●5S

XVC6B●K,
XVC6B●5SK

XVC6M●K, XVC6M●5SK



Drilling Plan

Height of Preassembled and Pre-wired Tower Lights

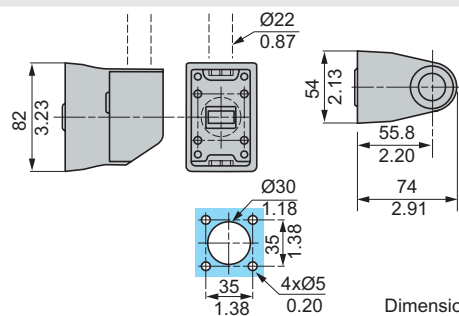
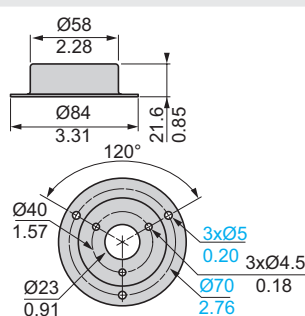
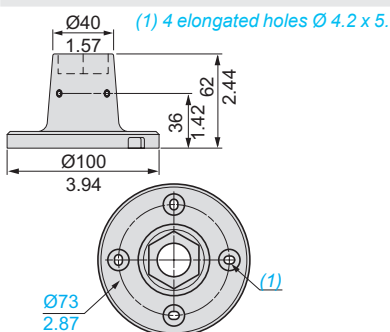
| No. of Illuminated Units | b without Buzzer mm (in) | b1 with Buzzer mm (in) | | No. of Illuminated Units | b with or without Buzzer mm (in) | |
|--------------------------|-----------------------------|---------------------------|------------------|--------------------------|-------------------------------------|--------------------|
| | | XVC6B●5S | XVC6M●, XVC6M●5S | | XVC6B●K, XVC6B●5SK | XVC6M●K, XVC6M●5SK |
| 1 stage | 428.3 (16.86) | 483.1 (19.02) | 599.8 (23.61) | 1 stage | 120.8 (4.76) | 232 (9.13) |
| 2 stages | 468.3 (18.44) | 523.1 (20.59) | 639.8 (25.19) | 2 stages | 160.8 (6.33) | 272 (10.71) |
| 3 stages | 508.3 (20.01) | 563.1 (22.17) | 679.8 (26.76) | 3 stages | 200.8 (7.91) | 312 (12.28) |
| 4 stages | 548.3 (21.59) | 603.1 (23.74) | 719.8 (28.34) | 4 stages | 240.8 (9.48) | 352 (13.86) |
| 5 stages | 588.3 (23.16) | 643.1 (25.32) | 759.8 (29.91) | 5 stages | 280.8 (11.06) | 392 (14.43) |

Accessories for Mounting on Horizontal Support

Die-cast Metal Mounting Base XVCZ02 for XVC6

Stamped Metal Plate XVCZ12 for XVC6●●K/XVC6●●5SK

Wall Mounting Bracket XVCZ32 for XVC6●●/6●●5S



Dimensions mm
in.

Tower Lights and Beacons

Preassembled Tower Lights

100 mm Diameter

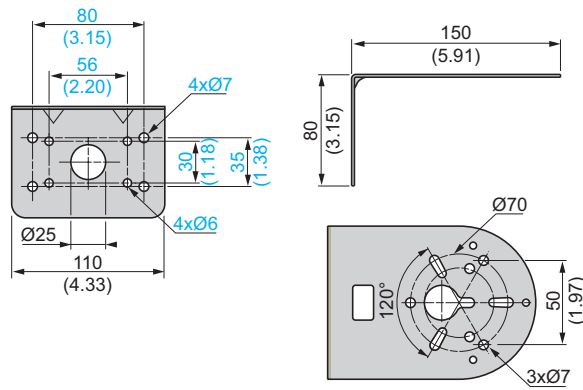
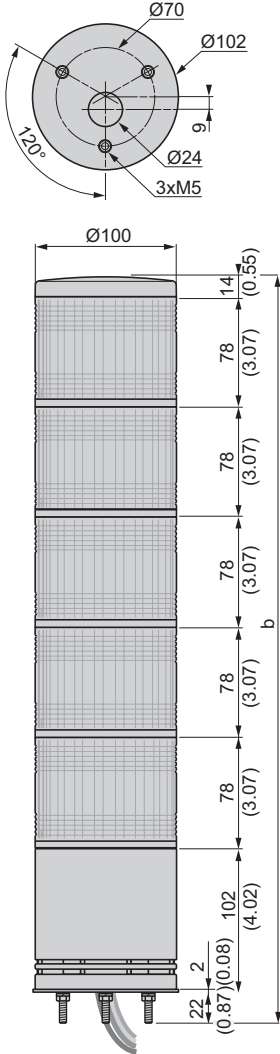
Harmony® XVC

Preassembled and Pre-wired Tower Lights

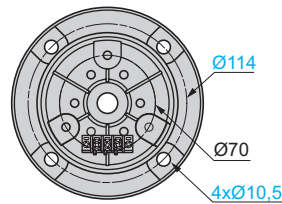
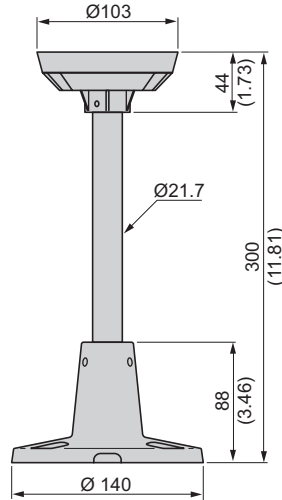
For Mounting on Horizontal Support (direct or with L-shaped Mount Bracket)

XVC1●●K, XVC1●●SK Tower Lights

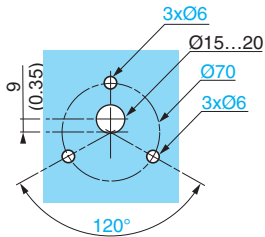
XVCZ23 L-shape Mount Bracket



XVCZ13 Mount Tube and Base



Drilling Plan



Dimensions $\frac{\text{mm}}{\text{in.}}$

Height of Preassembled and Pre-wired Tower Lights

| No. of Illuminated Units | b mm (in) |
|--------------------------|--------------|
| 1 | 216 (8.50) |
| 2 | 294 (11.57) |
| 3 | 372 (14.65) |
| 4 | 450 (17.72) |
| 5 | 528 (20.79) |

Introduction

The Harmony XVR rotating mirror beacons are pre-wired with superbright LEDs for long-distance visual signaling. They can be used for most industrial applications; including: fork lifts, cranes, and hoists.

Environment Specifications

| Rotating Beacons Type | | XVR08 | XVR10 | XVR12 | XVR13B●●● | XVR13●●●L |
|---|---------------------------|---|---------------------------------|------------------------|-----------------------------------|---|
| Product Certifications | | CE, UL Recognized E164353 CCN NKCR, CSA LR44087 Class 3211-03, RoHS | | | | |
| Conforming to Standards | | UL 508, CSA 22.2 No. 14 | | | | EN/IEC 60947-1 EN/IEC 60947-5-1 UL 508 CSA 22.2 No. 14 |
| Protective Treatment | Conforming to UTE C63-100 | "TC" | | | | |
| Ambient Air Temperature | For storage | °C (°F) -35...+70 (-31...+158) | | | | |
| | For operation | °C (°F) -10...+50 (-14...+122) | | -30...+50 (-22...+122) | | |
| Electric Shock Protection conforming to IEC 61140 | | Class II | | | | |
| Degree of Protection conforming to IEC 60529 | | IP 23 (IP 65 with accessory) | IP 23 (IP 55 with accessory) | IP 23 | IP 66 (resistant to vibration) | IP 66 and IP 67 |
| Material | Domed lens unit | PC | | | | |
| | Base | ABS | | | | |
| Light Source | | Super-bright LED | | | | |

Electrical Specifications

| Rotating Beacons Type | | XVR08J XVR10J XVR12J XVR12J●●S | XVR08B XVR10B XVR12B XVR12B●●S XVR13B●●L | XVR13J | XVR13B | XVR13G●●L | XVR13M●●L | |
|---|-------------------------------------|---|---|-----------|--------|-----------|-----------|---------|
| Voltage | | V | 12 Vac/dc | 24 Vac/dc | 12 Vdc | 24 Vdc | 120 Vac | 230 Vac |
| Rated Impulse Withstand Voltage | | kV | 0.8 | | | 4 | | |
| Consumption | Without buzzer | W | 3 12 Vac/dc: 360 mA 24 Vac/dc: 180 mA | | | 5 | | |
| | With buzzer (for XVR12●●●S) | W | 4 | 4.7 | - | | | |
| Audible Units with Continuous or Intermittent Tone (short/long or high/low) | For XVR12●●●S Sound level at 1 m | dB | 50...90 | | | | | |
| Flashing Frequency of Illuminated Units | | Hz | 2.3 2.7 for XVR13 | | | | | |
| Connection | Wire c.s.a | mm ² | 0.83 mm ² / SPT-1 18 AWG (1) for XVR08●, XVR10● and XVR12● 0.83 mm ² / UL1007 18 AWG (1) for XVR12●●●S 1.25 mm ² / VCT for XVR13 | | | | | |
| | Cable length | mm (in) | 400 500 for XVR08● | | | | | |

(1) AWG: American Wire Gauge.

Tower Lights and Beacons

Rotating Mirror Beacons

Harmony® XVR (equipped with super-bright LED)



XVR08●●●



XVR10●●●



XVR13●●●



XVR13●●●L



XVRZR1



XVRZ081

| Complete, pre-wired rotating mirror beacons | | | | | | | |
|---|----------------|--------------------------------------|--------------------------------------|-----------|----------------|----------------|--------------|
| Diameter mm | Sound Option | IP Degree of Protection | Voltage V | Color | Catalog Number | Weight kg (lb) | |
| 84 | Without Buzzer | IP 23 (IP 65 With accessories) | 12 Vac/dc | Red | XVR08J04 | 0.300 (0.66) | |
| | | | | Orange | XVR08J05 | 0.300 (0.66) | |
| | | | | Green | XVR08J03 | 0.300 (0.66) | |
| | | | 24 Vac/dc | Blue | XVR08J06 | 0.300 (0.66) | |
| | | | | Red | XVR08B04 | 0.300 (0.66) | |
| | | | | Orange | XVR08B05 | 0.300 (0.66) | |
| | 106 | Without Buzzer | IP 23 (IP 55 With accessories) | 12 Vac/dc | Red | XVR10J04 | 0.500 (1.10) |
| | | | | | Orange | XVR10J05 | 0.500 (1.10) |
| | | | | | Green | XVR10J03 | 0.500 (1.10) |
| | | | | 24 Vac/dc | Blue | XVR10J06 | 0.500 (1.10) |
| | | | | | Red | XVR10B04 | 0.500 (1.10) |
| | | | | | Orange | XVR10B05 | 0.500 (1.10) |
| 120 | Without Buzzer | IP 23 | 12 Vac/dc | Red | XVR12J04 | 0.500 (1.10) | |
| | | | | Orange | XVR12J05 | 0.500 (1.10) | |
| | | | | Green | XVR12J03 | 0.500 (1.10) | |
| | | | 24 Vac/dc | Blue | XVR12J06 | 0.500 (1.10) | |
| | | | | Red | XVR12B04 | 0.500 (1.10) | |
| | | | | Orange | XVR12B05 | 0.500 (1.10) | |
| | 120 | With buzzer | IP 23 | 12 Vac/dc | Green | XVR12B03 | 0.500 (1.10) |
| | | | | | Blue | XVR12B06 | 0.500 (1.10) |
| | | | | | Red | XVR12J04S | 0.500 (1.10) |
| | | | | 24 Vac/dc | Orange | XVR12J05S | 0.500 (1.10) |
| | | | | | Green | XVR12J03S | 0.500 (1.10) |
| | | | | | Blue | XVR12J06S | 0.500 (1.10) |
| 130 | Without Buzzer | IP 66 Resistant to vibration | 12 Vdc | Red | XVR13J04 | 0.800 (1.76) | |
| | | | | Orange | XVR13J05 | 0.800 (1.76) | |
| | | | 24 Vdc | Red | XVR13B04 | 0.800 (1.76) | |
| | | Orange | | XVR13B05 | 0.800 (1.76) | | |
| | | IP 66 and IP 67 | 24 Vac/dc | Red | XVR13B04L | 0.820 (1.81) | |
| | | | | Orange | XVR13B05L | 0.820 (1.81) | |
| | Red | | | XVR13G04L | 0.990 (2.18) | | |
| | 120 Vac | | Orange | XVR13G05L | 0.990 (2.18) | | |
| | | | 230 Vac | Red | XVR13M04L | 0.990 (2.18) | |
| | | | | Orange | XVR13M05L | 0.990 (2.18) | |

| Accessories for rotating mirror beacons | | | | | | |
|---|--------------------------|---------------------|----------------|----------------|----------------|--|
| Description | Comments | For Use With | Height mm (in) | Catalog Number | Weight kg (lb) | |
| Reflecting Prism | Improves light diffusion | XVR08 | – | XVRZR1 | 0.010 (0.02) | |
| | | XVR10 | – | XVRZR2 | 0.015 (0.03) | |
| | | XVR12 & XVR13 | – | XVRZR3 | 0.020 (0.04) | |
| Rubber Base | Increases IP rating | XVR08 | – | XVRZ081 | 0.040 (0.09) | |
| | | XVR10 | – | XVRZ082 | 0.050 (0.11) | |
| Metal Angle Bracket | Horizontal support | XVR08, XVR10, XVR12 | – | XVCZ23 | 0.380 (0.84) | |
| | | XVR13 | – | XVR012L | 1.300 (2.87) | |
| Mounting Pole with Base | Horizontal support | XVR10, XVR12 | 300 | XVCZ13 | 0.700 (1.54) | |

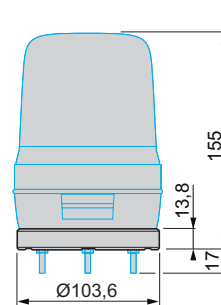
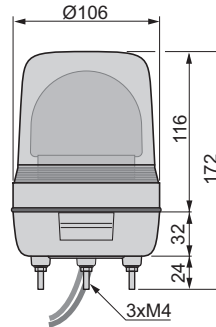
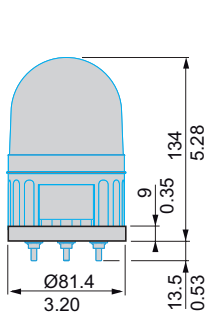
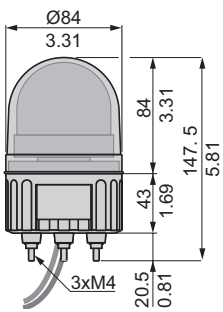
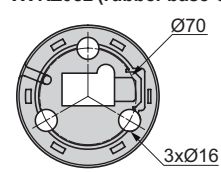
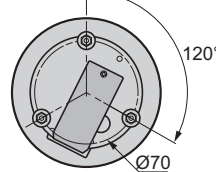
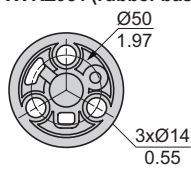
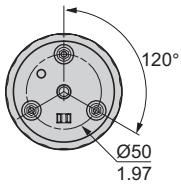
Complete, Pre-wired Rotating Mirror Beacons

XVR0800

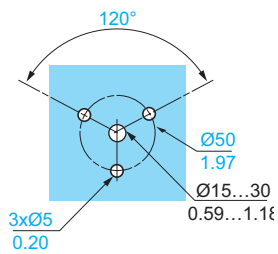
XVRZ081 (rubber base-optional part)

XVR1000

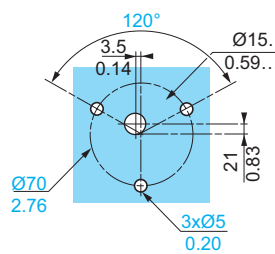
XVRZ082 (rubber base-optional part)



Drilling Plan



Drilling Plan



Dimensions $\frac{\text{mm}}{\text{in.}}$

Tower Lights and Beacons

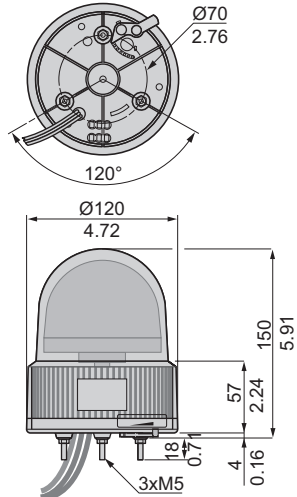
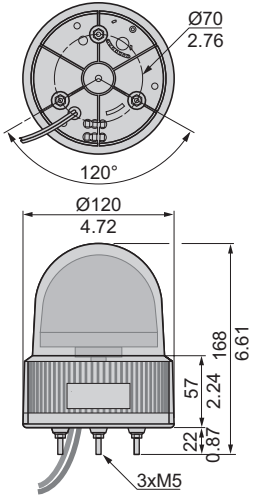
Rotating Mirror Beacons

Harmony® XVR (equipped with super-bright LED)

Complete, Pre-wired Rotating Mirror Beacons (continued)

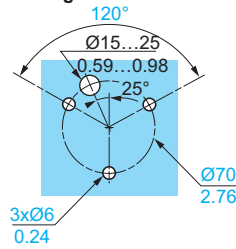
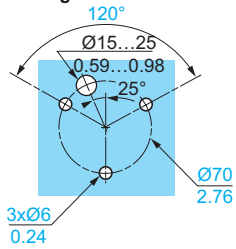
XVR12●0●

XVR12●0●S



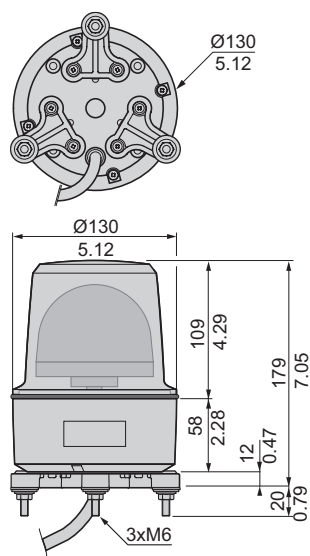
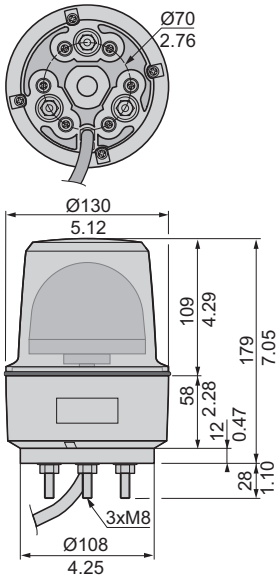
Drilling Plan

Drilling Plan



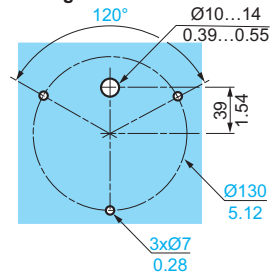
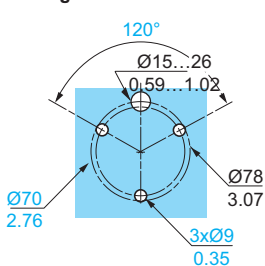
XVR13●0●

XVR13●0●L



Drilling Plan

Drilling Plan



Dimensions $\frac{\text{mm}}{\text{in.}}$

Introduction

Harmony XVS sirens and electronic alarms are audible signaling units used for long-distance indication of the operating status or sequences of a machine or installation. Typical applications include conveyor belts, automated industrial trucks, and doors of electrical control panels.

Specifications

| Type of Siren or Alarm | | XVS10BMW | XVS10GMW XVS10MMW | XVS14BMW | XVS14GMW XVS14MMW | XVS72BM●● | XVS96BM●● | |
|--|--|--|---|---|---|---|---|--|
| Environment Specifications | | | | | | | | |
| Product Certifications | | CE, UL Recognized EI64353, CCN UCST, CSA LR44087 Class 3211-03, RoHS | | | | | | |
| Conforming to Standards | | EN/IEC 60947-1 EN/IEC 60947-5-1 UL508 CSA22.4 No. 14 | EN/IEC 61000-6-2, EN/IEC 61000-6-3, UL508, CSA22.4 No. 14 | EN/IEC 60947-1, EN/IEC 60947-5-1, UL508, CSA22.4 No. 14 | EN/IEC 61000-6-2, EN/IEC 61000-6-3, UL508, CSA22.4 No. 14 | EN/IEC 60947-1, EN/IEC 60947-5-1, UL508, CSA22.4 No. 14 | EN/IEC 60947-1, EN/IEC 60947-5-1, UL508, CSA22.4 No. 14 | |
| Protective Treatment | Conforming to UTE C63-100 | "TC" | | | | | | |
| Ambient Air Temperature | Storage | °C (°F) -35...+70 (-31...+158) | | | | | | |
| | Operation | °C (°F) -30...+50 (-22...+122) | -10...+50 (-14...+122) | | -20...+50 (-4...+122) | | | |
| Electric Shock Protection conforming to EN/IEC 61140 | | Class II | | | | | | |
| Degree of Protection conforming to EN/IEC 60529 | | IP 53 | | | | IP 54 | | |
| Material | Terminal cover | — | | | | PC | | |
| | Base | PC | | PC/ABS | | ABS | PC or ABS | |
| Sound | Number of options (tones) | 2 | | 43 | | 16 | | |
| Electrical Specifications | | | | | | | | |
| Voltage | | V | 12-24 Vac/dc | 120 Vac 230 Vac | 12/24 Vdc | 120 Vac 240 Vac | 12/24 Vdc | |
| Rated Impulse Withstand Voltage | | | 0.8 | 4 | 0.8 | 4 | 0.8 | |
| Power Consumption | | | 12 Vac/dc: 500 mA 24 V Vac/dc: 300 mA | 120 Vac: 80 mA 230 Vac: 40 mA | 12 Vdc: 250 mA 24 Vdc: 350 mA | 120 Vac: 100 mA 240 Vac: 50 mA | 12 Vac/dc: 1.9/1.4 W 24 Vac/dc: 4.8/3 W | 12 Vac/dc: 3.5/3 W 24 Vac/dc: 8.5/7 W |
| Audible Units | Sound level (continuous or intermittent tone) at 1 m | dB | 106 | | 0...105 | | 0...90 | 0...96 |
| Cabling | Cable diameter | | Cable-gland for 6.5 to 8.5 mm customer wiring | | Power wire c.s.a.: 0.52 mm ² / 20 AWG (1) | | Not pre-wired | |
| | Maximum clamping capacity | mm² | 1 x 1.5 | | — | | 1 x 1.5 | |
| | Cable length | mm (in) | — | | 500 (19.68) | | — | |

(1) AWG: American Wire Gauge.

Catalog Numbers



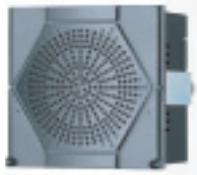
XVS10●M



XVS14●MMW



XVS72BM●●

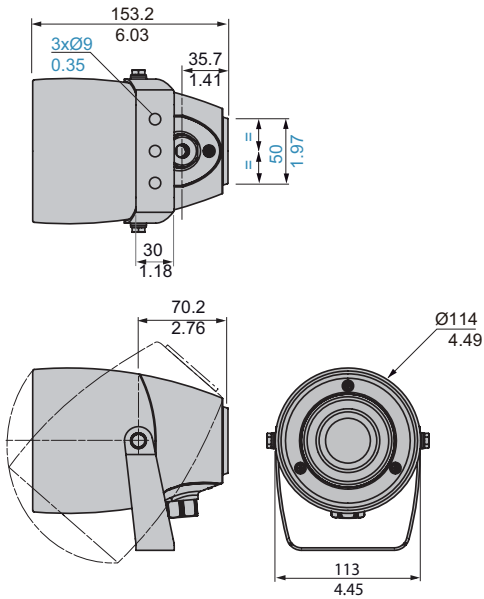


XVS96BM●●

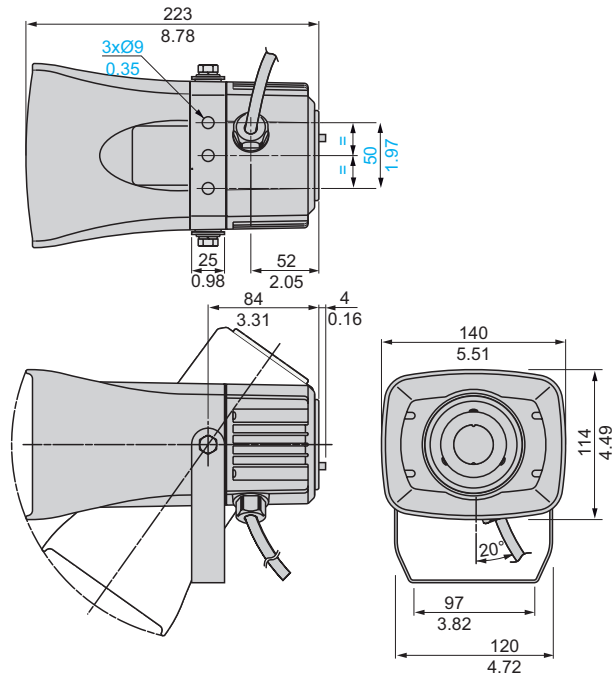
| Description | Voltage V | Color | Catalog Number | Weight kg (lb) |
|---|--------------|------------|------------------|-------------------|
| Sirens 106 dB, 2 tones | 12-24 Vac/dc | White | XVS10BMW | 0.800 (1.76) |
| | 120 Vac | White | XVS10GMW | 1.000 (2.20) |
| | 230 Vac | White | XVS10MMW | 1.000 (2.20) |
| Multisound Siren 105 dB, 43 Tones 8 Channels Pre-wired | 12/24 Vdc | White | XVS14BMW | 1.000 (2.20) |
| | 120 Vac | White | XVS14GMW | 1.200 (2.65) |
| | 240 Vac | White | XVS14MMW | 1.200 (2.65) |
| Electronic Alarms 90 dB, 16 Tones Panel Mount DIN72 4 Channels | 12/24 Vac/dc | PNP, Black | XVS72BMBP | 0.180 (0.40) |
| | | PNP, White | XVS72BMWP | 0.180 (0.40) |
| | | NPN, Black | XVS72BMBN | 0.180 (0.40) |
| | | NPN, White | XVS72BMWN | 0.180 (0.40) |
| Electronic Alarms 96 dB, 16 Tones Panel Mount DIN96 4 Channels | 12/24 Vac/dc | PNP, Black | XVS96BMBP | 0.400 (0.88) |
| | | PNP, White | XVS96BMWP | 0.400 (0.88) |
| | | NPN, Black | XVS96BMBN | 0.400 (0.88) |
| | | NPN, White | XVS96BMWN | 0.400 (0.88) |

Dimensions

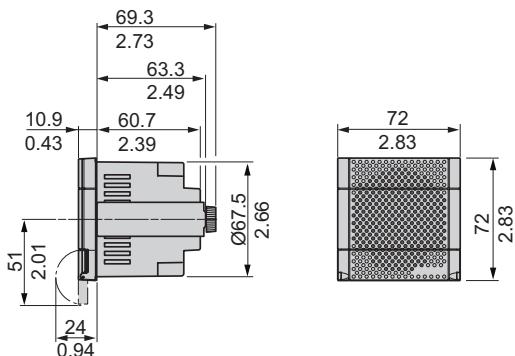
XVS10●M



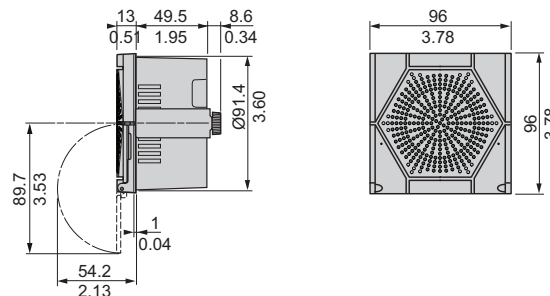
XVS14●MMW



XVS72BM●●



XVS96BM●●



Dimensions $\frac{\text{mm}}{\text{in.}}$

Index of Catalog Numbers

| Catalog Number | Page |
|----------------|--------|
| D | |
| DL1BDB1 | 13, 19 |
| DL1BDB3 | 13, 19 |
| DL1BDB4 | 13, 19 |
| DL1BDB5 | 13, 19 |
| DL1BDB6 | 13, 19 |
| DL1BDB8 | 13, 19 |
| DL1BDG1 | 13, 19 |
| DL1BDG3 | 13, 19 |
| DL1BDG4 | 13, 19 |
| DL1BDG5 | 13, 19 |
| DL1BDG6 | 13, 19 |
| DL1BDG8 | 13, 19 |
| DL1BDM1 | 19 |
| DL1BDM3 | 19 |
| DL1BDM4 | 19 |
| DL1BDM5 | 19 |
| DL1BDM6 | 19 |
| DL1BDM8 | 19 |
| DL1BEB | 13, 19 |
| DL1BEBS | 29 |
| DL1BEE | 13, 19 |
| DL1BEG | 13, 19 |
| DL1BEGS | 29 |
| DL1BEJ | 13, 19 |
| DL1BEM | 13, 19 |
| DL1BEMS | 29 |
| DL1BKB1 | 13, 19 |
| DL1BKB3 | 13, 19 |
| DL1BKB4 | 13, 19 |
| DL1BKB5 | 13, 19 |
| DL1BKB6 | 13, 19 |
| DL1BKB8 | 13, 19 |
| DL1BKG1 | 13, 19 |
| DL1BKG3 | 13, 19 |
| DL1BKG4 | 13, 19 |
| DL1BKG5 | 13, 19 |
| DL1BKG6 | 13, 19 |
| DL1BKG8 | 13, 19 |
| DL1BKM1 | 19 |
| DL1BKM3 | 19 |
| DL1BKM4 | 19 |
| DL1BKM5 | 19 |
| DL1BKM6 | 19 |
| DL1BKM8 | 19 |
| X | |
| XVBC020 | 13 |
| XVBC030 | 13 |
| XVBC040 | 13 |
| XVBC081 | 12 |
| XVBC12 | 13, 29 |
| XVBC14 | 12 |
| XVBC21 | 12 |
| XVBC22 | 12 |
| XVBC23 | 12 |
| XVBC33 | 11 |
| XVBC34 | 11 |
| XVBC35 | 11 |
| XVBC36 | 11 |
| XVBC37 | 11 |
| XVBC38 | 11 |
| XVBC4B3 | 11 |
| XVBC4B4 | 11 |
| XVBC4B5 | 11 |
| XVBC4B6 | 11 |

| Catalog Number | Page |
|----------------|--------|
| XVBC4B7 | 11 |
| XVBC4B8 | 11 |
| XVBC4M3 | 11 |
| XVBC4M4 | 11 |
| XVBC4M5 | 11 |
| XVBC4M6 | 11 |
| XVBC4M7 | 11 |
| XVBC4M8 | 11 |
| XVBC8B3 | 11 |
| XVBC8B4 | 11 |
| XVBC8B5 | 11 |
| XVBC8B6 | 11 |
| XVBC8B7 | 11 |
| XVBC8B8 | 11 |
| XVBC8G3 | 11 |
| XVBC8G4 | 11 |
| XVBC8G5 | 11 |
| XVBC8G6 | 11 |
| XVBC8G7 | 11 |
| XVBC8G8 | 11 |
| XVBC9B | 12 |
| XVBC9M | 12 |
| XVBL33 | 10 |
| XVBL34 | 10 |
| XVBL35 | 10 |
| XVBL36 | 10 |
| XVBL37 | 10 |
| XVBL38 | 10 |
| XVBL4B3 | 10 |
| XVBL4B4 | 10 |
| XVBL4B5 | 10 |
| XVBL4B6 | 10 |
| XVBL4B7 | 10 |
| XVBL4B8 | 10 |
| XVBL8B3 | 10 |
| XVBL8B4 | 10 |
| XVBL8B5 | 10 |
| XVBL8B6 | 10 |
| XVBL8B7 | 10 |
| XVBL8B8 | 10 |
| XVBL8G3 | 10 |
| XVBL8G4 | 10 |
| XVBL8G5 | 10 |
| XVBL8G6 | 10 |
| XVBL8G7 | 10 |
| XVBL8G8 | 10 |
| XVBZ01 | 29 |
| XVBZ02 | 13, 29 |
| XVBZ02A | 13, 29 |
| XVBZ03 | 13, 29 |
| XVBZ03A | 13, 29 |
| XVBZ04 | 13, 29 |
| XVBZ04A | 13, 29 |
| XVC1B1K | 37 |
| XVC1B1SK | 37 |
| XVC1B2K | 37 |
| XVC1B2SK | 37 |
| XVC1B3K | 37 |
| XVC1B3SK | 37 |
| XVC1B4K | 37 |
| XVC1B4SK | 37 |
| XVC1B5K | 37 |
| XVC1B5SK | 37 |
| XVC1M1K | 37 |
| XVC1M1SK | 37 |
| XVC1M2K | 37 |

| Catalog Number | Page |
|----------------|------|
| XVC1M2SK | 37 |
| XVC1M3K | 37 |
| XVC1M3SK | 37 |
| XVC1M4K | 37 |
| XVC1M4SK | 37 |
| XVC1M5K | 37 |
| XVC1M5SK | 37 |
| XVC4B1 | 35 |
| XVC4B15S | 35 |
| XVC4B1K | 35 |
| XVC4B2 | 35 |
| XVC4B25S | 35 |
| XVC4B2K | 35 |
| XVC4B3 | 35 |
| XVC4B35S | 35 |
| XVC4B3K | 35 |
| XVC4B4 | 35 |
| XVC4B45S | 35 |
| XVC4B4K | 35 |
| XVC4B5 | 35 |
| XVC4B55S | 35 |
| XVC4B5K | 35 |
| XVC4M1 | 35 |
| XVC4M15S | 35 |
| XVC4M2 | 35 |
| XVC4M25S | 35 |
| XVC4M3 | 35 |
| XVC4M35S | 35 |
| XVC4M4 | 35 |
| XVC4M45S | 35 |
| XVC4M5 | 35 |
| XVC4M55S | 35 |
| XVC6B1 | 36 |
| XVC6B15S | 36 |
| XVC6B15SK | 36 |
| XVC6B1K | 36 |
| XVC6B2 | 36 |
| XVC6B25S | 36 |
| XVC6B25SK | 36 |
| XVC6B2K | 36 |
| XVC6B3 | 36 |
| XVC6B35S | 36 |
| XVC6B35SK | 36 |
| XVC6B3K | 36 |
| XVC6B4 | 36 |
| XVC6B45S | 36 |
| XVC6B45SK | 36 |
| XVC6B4K | 36 |
| XVC6B5 | 36 |
| XVC6B55S | 36 |
| XVC6B55SK | 36 |
| XVC6B5K | 36 |
| XVC6M1 | 36 |
| XVC6M15S | 36 |
| XVC6M15SK | 36 |
| XVC6M1K | 36 |
| XVC6M2 | 36 |
| XVC6M25S | 36 |
| XVC6M25SK | 36 |
| XVC6M2K | 36 |
| XVC6M3 | 36 |
| XVC6M35S | 36 |
| XVC6M35SK | 36 |
| XVC6M3K | 36 |
| XVC6M4 | 36 |
| XVC6M45S | 36 |

| Catalog Number | Page |
|----------------|--------|
| XVC6M45SK | 36 |
| XVC6M4K | 36 |
| XVC6M5 | 36 |
| XVC6M55S | 36 |
| XVC6M55SK | 36 |
| XVC6M5K | 36 |
| XVCZ01 | 35 |
| XVCZ02 | 36 |
| XVCZ11 | 35 |
| XVCZ12 | 36 |
| XVCZ13 | 37, 42 |
| XVCZ23 | 37, 42 |
| XVCZ31 | 35 |
| XVCZ32 | 36 |
| XVDC02 | 29 |
| XVEC21 | 29 |
| XVEC21P | 29 |
| XVEC2B3 | 28 |
| XVEC2B4 | 28 |
| XVEC2B5 | 28 |
| XVEC2B6 | 28 |
| XVEC2B7 | 28 |
| XVEC2G3 | 28 |
| XVEC2G4 | 28 |
| XVEC2G5 | 28 |
| XVEC2G6 | 28 |
| XVEC2G7 | 28 |
| XVEC33 | 28 |
| XVEC34 | 28 |
| XVEC35 | 28 |
| XVEC36 | 28 |
| XVEC37 | 28 |
| XVEC5B3 | 28 |
| XVEC5B4 | 28 |
| XVEC5B5 | 28 |
| XVEC5B6 | 28 |
| XVEC5B7 | 28 |
| XVEC5G3 | 28 |
| XVEC5G4 | 28 |
| XVEC5G5 | 28 |
| XVEC5G6 | 28 |
| XVEC5G7 | 28 |
| XVEC6B3 | 28 |
| XVEC6B4 | 28 |
| XVEC6B5 | 28 |
| XVEC6B6 | 28 |
| XVEC6B7 | 28 |
| XVEC6G3 | 28 |
| XVEC6G4 | 28 |
| XVEC6G5 | 28 |
| XVEC6G6 | 28 |
| XVEC6G7 | 28 |
| XVEC9B | 28 |
| XVEC9G | 28 |
| XVEC9M | 28 |
| XVEL2B3 | 27 |
| XVEL2B4 | 27 |
| XVEL2B5 | 27 |
| XVEL2B6 | 27 |
| XVEL2B7 | 27 |
| XVEL2G3 | 27 |
| XVEL2G4 | 27 |
| XVEL2G5 | 27 |
| XVEL2G6 | 27 |
| XVEL2G7 | 27 |
| XVEL33 | 27 |

Index of Catalog Numbers

| Catalog Number | Page |
|----------------|------|
| XVEL34 | 27 |
| XVEL35 | 27 |
| XVEL36 | 27 |
| XVEL37 | 27 |
| XVEL6B3 | 27 |
| XVEL6B4 | 27 |
| XVEL6B5 | 27 |
| XVEL6B6 | 27 |
| XVEL6B7 | 27 |
| XVEL6G3 | 27 |
| XVEL6G4 | 27 |
| XVEL6G5 | 27 |
| XVEL6G6 | 27 |
| XVEL6G7 | 27 |
| XVEZ081 | 29 |
| XVEZ082 | 29 |
| XVEZ083 | 29 |
| XVEZ13 | 29 |
| XVPC02 | 21 |
| XVPC02T | 21 |
| XVPC02W | 21 |
| XVPC03 | 21 |
| XVPC03T | 21 |
| XVPC03W | 21 |
| XVPC04 | 21 |
| XVPC04T | 21 |
| XVPC04W | 21 |
| XVPC09B | 20 |
| XVPC09BW | 20 |
| XVPC09G | 20 |
| XVPC09GW | 20 |
| XVPC09M | 20 |
| XVPC09MW | 20 |
| XVPC12 | 21 |
| XVPC12W | 21 |
| XVPC21 | 21 |
| XVPC21W | 21 |
| XVPC21WR | 21 |
| XVPC33 | 19 |
| XVPC33W | 19 |
| XVPC34 | 19 |
| XVPC34W | 19 |
| XVPC35 | 19 |
| XVPC35W | 19 |
| XVPC36 | 19 |
| XVPC36W | 19 |
| XVPC37 | 19 |
| XVPC37W | 19 |
| XVPC38 | 19 |
| XVPC38W | 19 |
| XVPC6B3 | 20 |
| XVPC6B3W | 20 |
| XVPC6B4 | 20 |
| XVPC6B4W | 20 |
| XVPC6B5 | 20 |
| XVPC6B5W | 20 |
| XVPC6B6 | 20 |
| XVPC6B6W | 20 |
| XVPC6B7 | 20 |
| XVPC6B7W | 20 |
| XVPC6B8 | 20 |
| XVPC6B8W | 20 |
| XVPC6G3 | 20 |
| XVPC6G3W | 20 |
| XVPC6G4 | 20 |
| XVPC6G4W | 20 |

| Catalog Number | Page |
|----------------|--------|
| XVPC6G5 | 20 |
| XVPC6G5W | 20 |
| XVPC6G6 | 20 |
| XVPC6G6W | 20 |
| XVPC6G7 | 20 |
| XVPC6G7W | 20 |
| XVPC6G8 | 20 |
| XVPC6G8W | 20 |
| XVPC6M3 | 20 |
| XVPC6M3W | 20 |
| XVPC6M4 | 20 |
| XVPC6M4W | 20 |
| XVPC6M5 | 20 |
| XVPC6M5W | 20 |
| XVPC6M6 | 20 |
| XVPC6M6W | 20 |
| XVPC6M7 | 20 |
| XVPC6M7W | 20 |
| XVPC6M8 | 20 |
| XVPC6M8W | 20 |
| XVPCX13 | 21, 29 |
| XVR012L | 42 |
| XVR08B03 | 42 |
| XVR08B04 | 42 |
| XVR08B05 | 42 |
| XVR08B06 | 42 |
| XVR08J03 | 42 |
| XVR08J04 | 42 |
| XVR08J05 | 42 |
| XVR08J06 | 42 |
| XVR10B03 | 42 |
| XVR10B04 | 42 |
| XVR10B05 | 42 |
| XVR10B06 | 42 |
| XVR10J03 | 42 |
| XVR10J04 | 42 |
| XVR10J05 | 42 |
| XVR10J06 | 42 |
| XVR12B03 | 42 |
| XVR12B03S | 42 |
| XVR12B04 | 42 |
| XVR12B04S | 42 |
| XVR12B05 | 42 |
| XVR12B05S | 42 |
| XVR12B06 | 42 |
| XVR12B06S | 42 |
| XVR12J03 | 42 |
| XVR12J03S | 42 |
| XVR12J04 | 42 |
| XVR12J04S | 42 |
| XVR12J05 | 42 |
| XVR12J05S | 42 |
| XVR12J06 | 42 |
| XVR12J06S | 42 |
| XVR13B04 | 42 |
| XVR13B04L | 42 |
| XVR13B05 | 42 |
| XVR13B05L | 42 |
| XVR13G04L | 42 |
| XVR13G05L | 42 |
| XVR13J04 | 42 |
| XVR13J05 | 42 |
| XVR13M04L | 42 |
| XVR13M05L | 42 |
| XVRZ081 | 42 |
| XVRZ082 | 42 |

| Catalog Number | Page |
|----------------|------|
| XVRZR1 | 42 |
| XVRZR2 | 42 |
| XVRZR3 | 42 |
| XVS10BMW | 46 |
| XVS10GMW | 46 |
| XVS10MMW | 46 |
| XVS14BMW | 46 |
| XVS14GMW | 46 |
| XVS14MMW | 46 |
| XVS72BMBN | 46 |
| XVS72BMBP | 46 |
| XVS72BMWN | 46 |
| XVS72BMWP | 46 |
| XVS96BMBN | 46 |
| XVS96BMBP | 46 |
| XVS96BMWN | 46 |
| XVS96BMWP | 46 |

Schneider Electric USA, Inc.

8001 Knightdale Blvd.
Knightdale, NC 27545
Tel: 919-266-3671

The information and dimensions in this catalog are provided for the convenience of our customers. While this information is believed to be accurate, Schneider Electric reserves the right to make updates and changes without prior notification and assumes no liability for any errors or omissions.

Design: Schneider Electric
Photos: Schneider Electric

© 2010 Schneider Electric. All Rights Reserved.

January 2011

9001CT1002