

IEC Appliance Inlet C20 or C24, Split panel or screw-on mounting, PCB Terminal



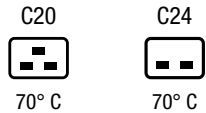
Split panel mounting, Snap-in PCB,
Additional earth terminal 90° to
connector axis



Split panel mounting, Screw-on PCB,
Additional earth terminal 90° to
connector axis



Screw-on panel mounting, Snap-in PCB,
Additional earth terminal
in connector axis



Description

- Panel Mount:
Splitpanel (sandwich) or screw-on from backside
- Appliance Inlet, Pin temperature 70 °C, protection class I or II
- V-Lock notch standard
- Additional ground terminal
- Meets the requirements of IEC 60335-1 for appliances in unattended use. This includes the enhanced requirements of glow wire tests acc. to IEC 60695-2-12 and -13.
- Variants with protection cover on rear side
- For PCB mounting

Other versions on request

- Further colours on request

Weblinks

[pdf-datasheet](#), [html-datasheet](#), [General Product Information](#), [Approvals](#), [CE declaration of conformity](#), [RoHS](#), [CHINA-RoHS](#), [REACH](#), [Mating Connectors](#), [e-Shop](#), [SCHURTER-Stock-Check](#), [Distributor-Stock-Check](#), [CAD-Drawings](#), [Accessories](#), [Detailed request for product](#)

Approvals

- VDE Certificate Number: 40035923
- UL File Number: E96454
- CCC File Number: 2013010204591237

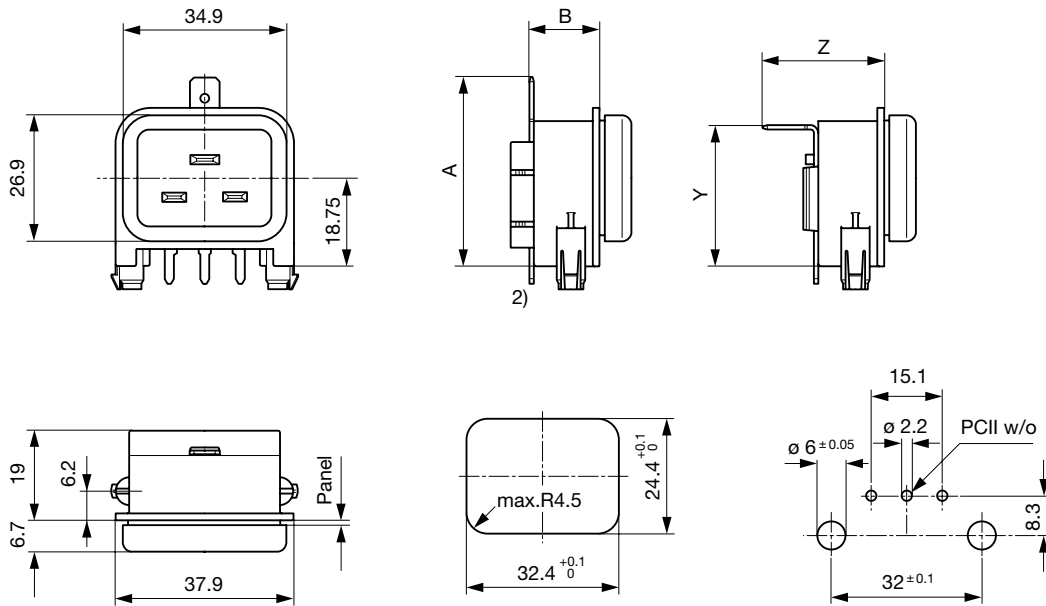
Technical Data

Ratings IEC	16A / 250VAC; 50Hz
Ratings UL/CSA	20A / 250VAC; 60Hz
Dielectric Strength	> 1.5kVAC between L-N > 1.5kVAC between L/N-PE (1 min/50Hz)
Allowable Operation Temp.	-25 °C to 70 °C
Degree of Protection	from front side IP 20 acc. to IEC 60529
Protection Class	Suitable for appliances with protection class I or II acc. to IEC 61140
Terminal	PCB terminals , additional ground terminal
Panel Thickness s	for sandwich mounting 1/1.2/1.5/2/2.5/3/4mm
Material: Housing	Thermoplastic, black, UL 94V-0

Appliance Inlet	C20 or C24 acc. to IEC 60320-1 UL 60320-1, CSA C22.2 no. 60320-1-11 (for cold conditions) pin-temperature 70 °C, 16A, Protection Class I or II
-----------------	---

Dimensions

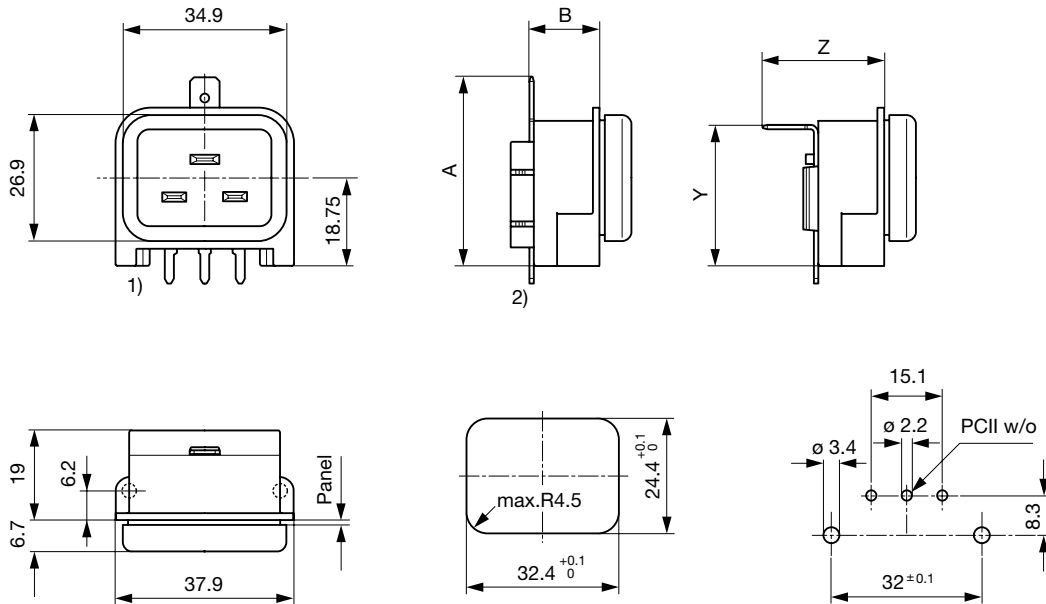
Split panel mounting / Snap-in on PCB



Dimension	A	B	Y	Z
Quick connect 6.3x0.8 mm	40.3	15.0	30.0	25.9
Solder	37.3	15.0	30.0	22.9

2) with protection cover

Split panel mounting / Screw-on mounting on PCB

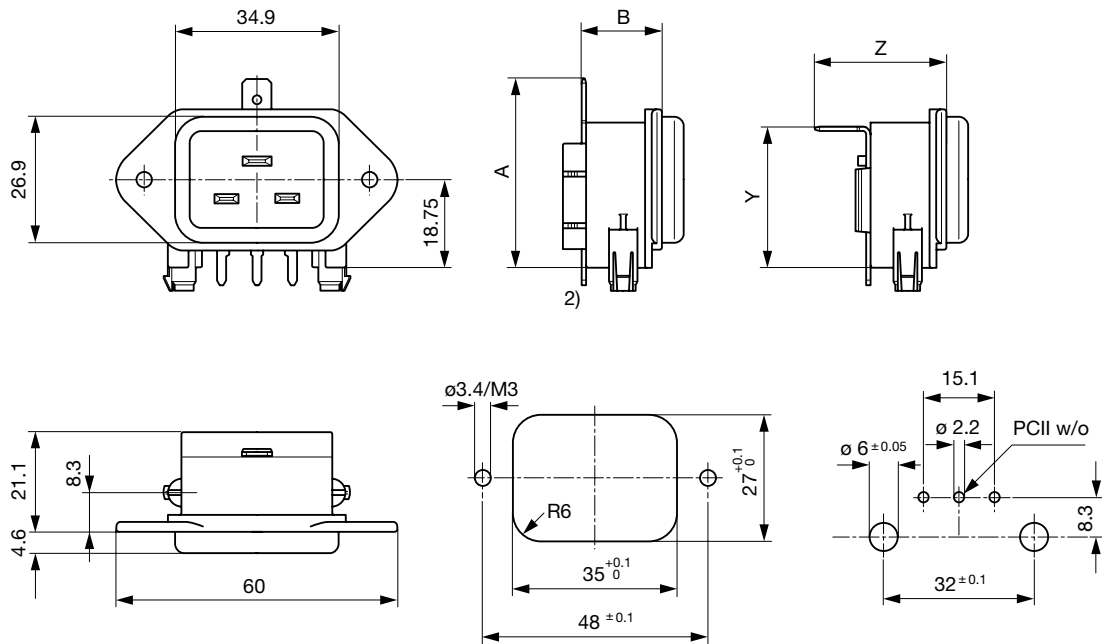


Dimension	A	B	Y	Z
Quick connect 6.3x0.8 mm	40.3	15.0	30.0	25.9
Solder	37.3	15.0	30.0	22.9

1) Mounting screw torque max. 0.3 Nm

2) with protection cover

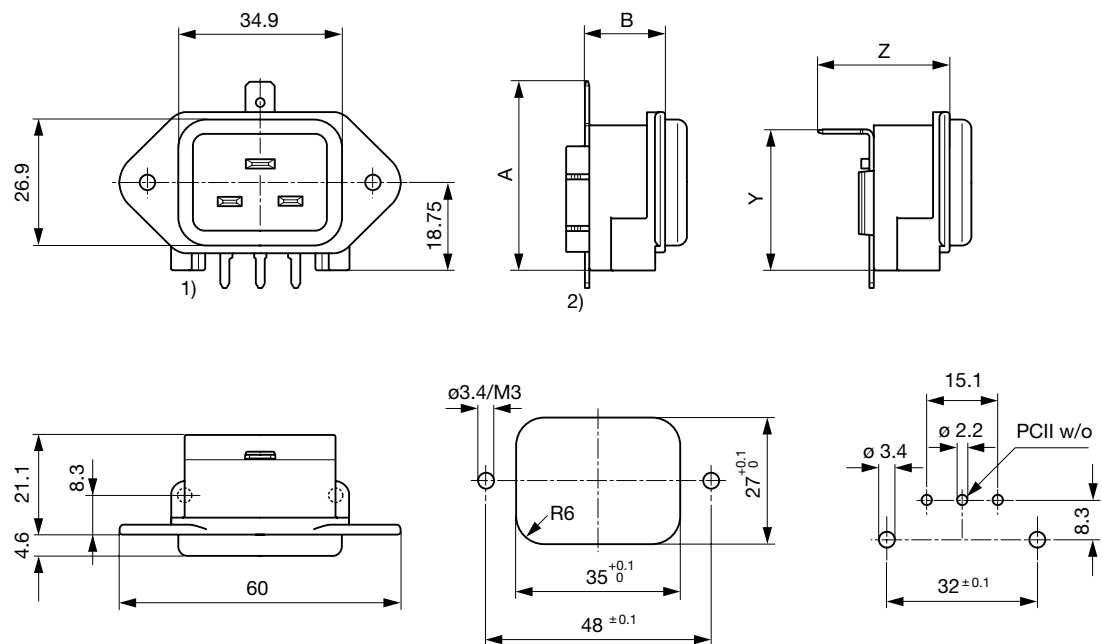
Screw-on rear side / Snap-in on PCB



Dimension	A	B	Y	Z
Quick connect 6.3x0.8 mm	40.3	17.1	30.0	28.0
Solder	37.3	17.1	30.0	25.0

2) with protection cover

Screw-on rear side / Screw-on mounting on PCB



Dimension	A	B	Y	Z
Quick connect 6.3x0.8 mm	40.3	17.1	30.0	28.0
Solder	37.3	17.1	30.0	25.0

1) Mounting screw torque max. 0.3 Nm

2) with protection cover

All Variants

Protection Class	Panel mounting	Panel Thickness [mm]	PCB mounting	Additional ground terminal		Cover	Order Number
				Terminal	Terminal direction		
I	Sandwich	1.0	Screw	solder terminal	90° to connector axis	none	GSP4.010C.11
I	Sandwich	1.5	Screw	Quick connect terminal 6.3 x 0.8 mm	in connector axis	none	GSP4.0107.13
I	Sandwich	1.5	Screw	solder terminal	90° to connector axis	none	GSP4.010C.13
I	Sandwich	1.5	Snap-in	Quick connect terminal 6.3 x 0.8 mm	in connector axis	none	GSP4.0207.13
I	Sandwich	3.0	Snap-in	Quick connect terminal 6.3 x 0.8 mm	in connector axis	none	GSP4.0207.16
I	Sandwich	3.0	Snap-in	Quick connect terminal 6.3 x 0.8 mm	in connector axis	mounted	GSP4.0217.16
I	Screw	-	Screw	Quick connect terminal 6.3 x 0.8 mm	in connector axis	none	GSP4.0107.10
I	Screw	-	Snap-in	Quick connect terminal 6.3 x 0.8 mm	90° to connector axis	none	GSP4.0205.10
I	Screw	-	Snap-in	Quick connect terminal 6.3 x 0.8 mm	in connector axis	none	GSP4.0207.10
I	Screw	-	Snap-in	Quick connect terminal 6.3 x 0.8 mm	in connector axis	mounted	GSP4.0217.10
II	Sandwich	1.5	Snap-in	-	-	mounted	GSP4.0210.13

Most Popular.

Availability for all products can be searched real-time:<http://www.schurter.com/en/Stock-Check/Stock-Check-SCHURTER>

With screw mounting on PCB, 2 screws are included

Packaging unit 50 Pcs

Mating Outlets/Connectors

Category / Description



[Appliance Outlet Overview complete](#)

IEC Appliance Outlet J, Screw-on Mounting, Front Side, Quick-connect Terminal

5017

[Appliance Outlet further types to GSP4](#)



[Connector Overview complete](#)

IEC Connector C19, Rewireable, Straight

4795

IEC Connector C19, Rewireable, Angled

4790

[Connector further types to GSP4](#)



[Power Supply Cord Overview complete](#)

Cord Sets 16 A, Europlug, 2.5 m, Connector IEC C19, cord end:

6004.0395

[Power Supply Cord further types to GSP4](#)

Mating Outlets/Connectors shuttered



[Power Cord Overview complete](#)

[Overview Power Cord with IEC Appliance Connector C19, V-Lock, straight](#)

VAC19KS

[Power Cord further types to GSP4](#)