

IEC Appliance Inlet C20 with Circuit Breaker TA45



Description

- Panel Mount :
Screw-on version from front or rear side, snap-in version from front side
- 2 Functions :
Appliance Inlet Protection class I , circuit breaker type TA45 2-pole
- Quick connect terminals 6.3 x 0.8 mm

Approvals

- Approval Reference Type: EF11
- VDE Certificate Number: 40001029
- UL File Number: E96454

Characteristics

- All single elements are already wired
- Unwired versions available on request
- Circuit Breaker non-illuminated or illuminated
- Suitable for use in equipment according to IEC/UL 60950

Other versions on request

- Unwired versions
- Variant with notch for V-Lock mating Cordsets

References

Alternative: version with line filter [EF12](#)

Weblinks

[pdf datasheet](#), [html-datasheet](#), [General Product Information](#), [Approvals](#), [CE declaration of conformity](#), [RoHS](#), [CHINA-RoHS](#), [REACH](#), [Distributor-Stock-Check](#), [Accessories](#), [Detailed request for product](#), [Microsite](#)

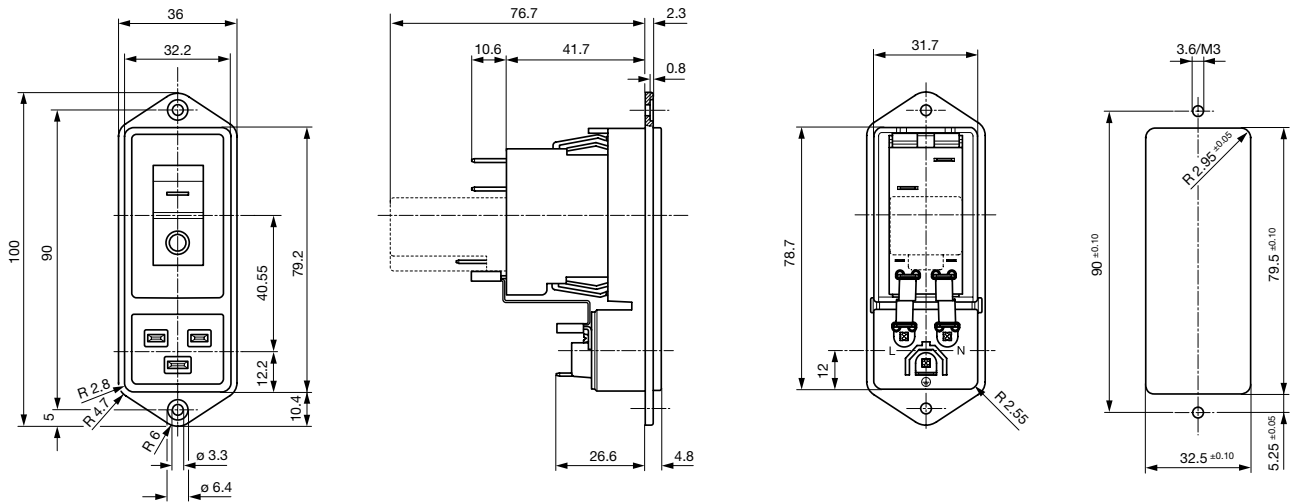
Newly available variants corresponding to V-Lock mating cordset. The connector is equipped with a notch intended for use with the latching cordset. The cord latching system prevents against accidental removal of the cordset.

Technical Data

| | | | |
|---------------------------------|---|-------------------------|--|
| Ratings IEC | 16A / 250VAC; 50Hz | appliance inlet/-outlet | C20 acc. to IEC 60320-1, UL 498, CSA C22.2 no. 42 (for cold conditions) pin-temperature 70 °C, 16A, Protection Class I |
| Ratings UL/CSA | 20A / 125/250VAC; 60Hz | Circuit Breakers | Acc. IEC/EN 60934, UL 1077, CSA 22.2 no. 235 2-pole rocker switch, illuminated or non-illuminated. Optional with undervoltage- or remote trip release Short circuit capacity Icn: at In < 3A/240VAC : 10 x In at In ≥ 3A/240VAC : 300A |
| Dielectric Strength | > 1.5 kVAC between L-N > 3 kVAC between L/N-PE (1 min/50Hz) | | |
| Allowable Operation Temperature | -10 °C to 55 °C | | |
| IP-Protection | from front side IP 40 acc. to IEC 60529 | | |
| Insulation cover | Suitable for appliances with protection class I acc. to IEC 61140 | | |
| Terminal | Quick connect terminals 6.3 x 0.8 mm | | |
| Panel Thickness S | Screw: max 8 mm Mounting screw torque max 0.5Nm Snap-in: 1.5/2/2.5 mm | | |
| Material: Housing | Thermoplastic, black, UL 94V-0 | | |

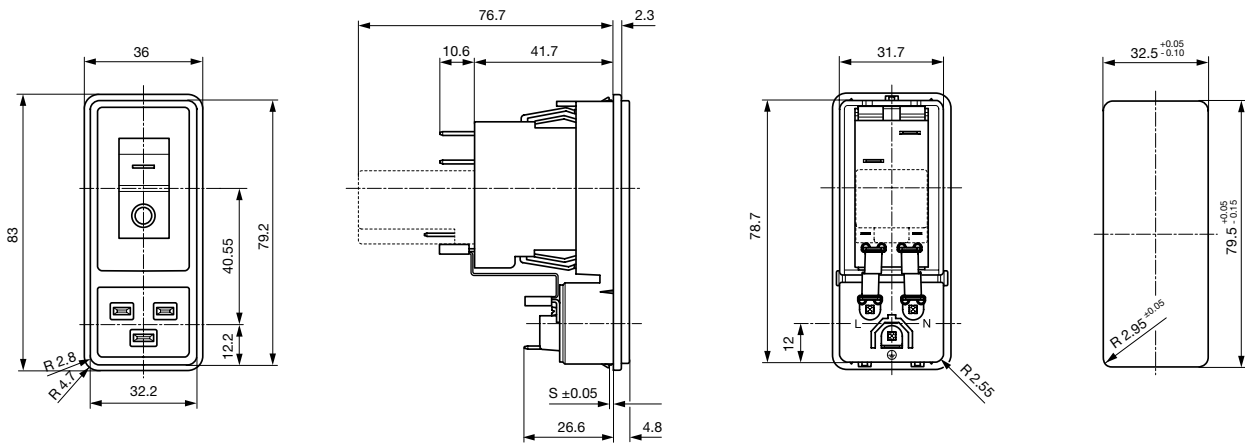
Detailed information on product approvals, code requirements, usage instructions and detailed test conditions can be looked up in [General Product Information](#)

Dimensions [mm]
Screw-on mounting



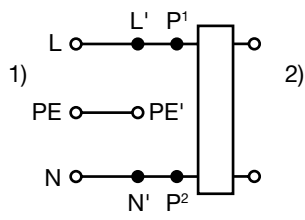
** --- Version TA45 with undervoltage release

Snap-in mounting



**--- Version TA45 with undervoltage release

Diagrams



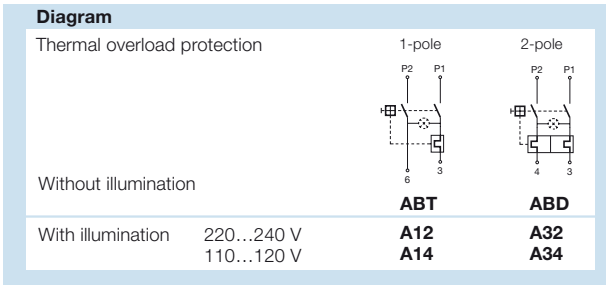
- 1) Line
 - 2) Load
-

Table 1 Selection for type TA45

Order example



- Circuit Breaker of Equipment
 - 2-pole, rocker actuated
 - Quick connect terminal
- Other types on request



Colours

| Switch front | Rocker | |
|----------------|--------|----------------|
| W black | white | — |
| B black | black | — |
| 6 black | — | orange transp. |

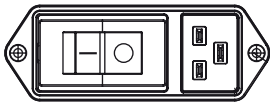
ABT **W** **F** **150** **C0**



Rocker legend

| Surface | Illustration | Colour of print | Surface | Illustration | Colour of print |
|-------------------|--------------|-----------------|------------------|--------------|-----------------|
| F embossed | — ○ | | M printed | — ○ | black |
| H printed | ON OFF | white | P printed | I ○ | white |
| K printed | ON OFF | black | R printed | I ○ | black |
| L printed | — ○ | white | | | |

Position of the rocker legend
e.g F



Rated current circuit breaker of equipment

| I_n | Code | I_n | Code | I_n | Code | I_n | Code |
|-------|------------|-------|------------|-------|------------|-------|------------|
| 10,0 | 100 | 13,0 | 130 | 16,0 | 160 | 19,0 | 190 |
| 11,0 | 110 | 14,0 | 140 | 17,0 | 170 | 20,0 | 200 |
| 12,0 | 120 | 15,0 | 150 | 18,0 | 180 | | |

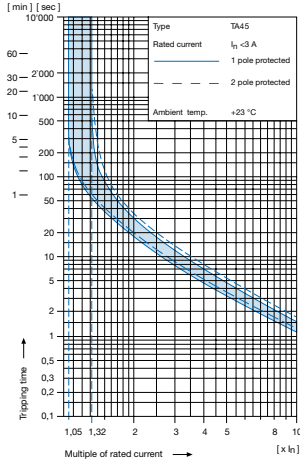
Other rated currents on request

Without release: code C0

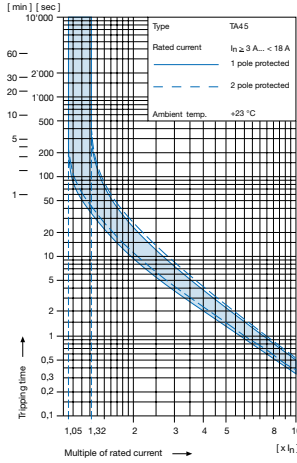
| Undervoltage release | | | Remote trip release | | Rated voltage U_n |
|----------------------|---|---|---------------------|----------|---------------------|
| U | E | Z | A | Code | |
| • | • | • | • | 2 | 240 V AC |
| • | • | • | • | 3 | 230 V AC |
| • | • | • | • | 4 | 120 V AC |

Technical data (continued)
Circuit breaker

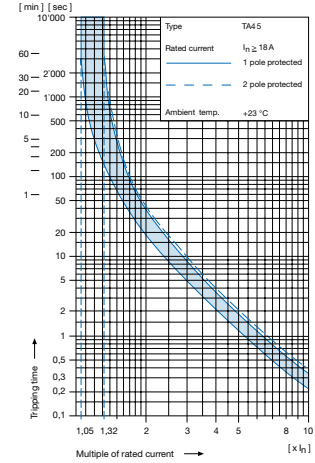
Tripping characteristics
 $I_n < 3 A$



Tripping characteristics
 $I_n \ge 3... < 18 A$



Tripping characteristics
 $I_n \ge 18 A$



1) Effect of ambient temperature

The unit is calibrated for an ambient temperature of +23 °C. To determine the rated current for a lower or higher ambient temperature, use a correction factor from the table below:

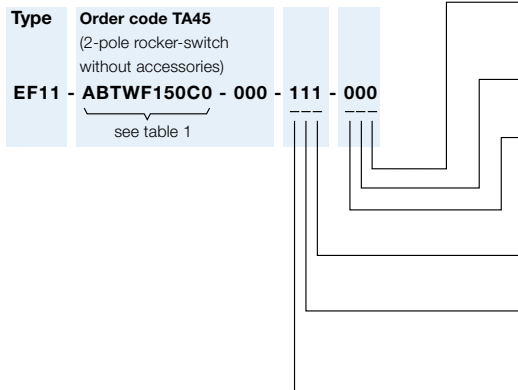
| * Ambient temperature [°C] | Correction factor |
|----------------------------|-------------------|
| -10 | 0,89 |
| - 5 | 0,91 |
| 0 | 0,92 |
| +23 | 1,00 |
| +30 | 1,03 |
| +40 | 1,08 |
| +55 | 1,16 |

* Temperature must be measured at the rear of the breaker next to the terminals after equipment operating temperature has been reached.

1) Example

| | |
|--|---------------------------|
| Rated current at +23 °C | 6,0 A |
| Ambient temperature | +40 °C |
| Correction factor | 1,08 |
| Chosen rated current at +40 °C ambient temperature | 6 A x 1,08 = 6,5 A |

Configuration code (example)



Optional Variants

- 0 standard
- 9 V-Lock notch

Colour

- 0 black

Mounting

- 0 Screw mounting
- 2 Snap-in mounting s = 1,5
- 3 Snap-in mounting s = 2,0
- 4 Snap-in mounting s = 2,5

Terminal PE

- 1 Quick-connect terminals 6.3x0.8mm

Terminal N

- 1 Quick-connect terminals 6.3x0.8mm, without connection to TA45
- 3 connection to TA45 non insulated

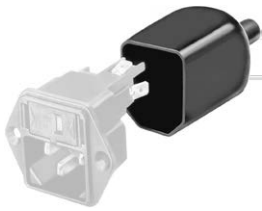
Terminal L

- 1 Quick-connect terminals 6.3x0.8mm, without connection to TA45
- 3 connection to TA45 non insulated
- 4 connection to TA45 insulated

Packaging unit 16 Pcs

Accessories

Description



Assorted Covers
Rear Cover

0859.0109



Cord retaining kits
Cord retaining strain relief

Flat head, Z
Flat head, H

0888.0021
4700.0008

Mating Outlets/Connectors

Category / Description



Connector Overview complete

IEC Connector C19, Rewireable, Straight
IEC Connector C19, Rewireable, Angled
IEC Connector C19, Rewireable, Straight

4795
4790
0104U

Connector further types to EF11



Power Supply Cord Overview complete

Cord Sets 10 A, North America, 3.0 m, Connector IEC C13, SJT 3x18 AWG, Transparent
Cord Sets 16 A, Europlug, 2.5 m, Connector IEC C19, H05VV-F3G1.5, black
Cord Sets 16 A, Interconnection, 1.0 m, Connector IEC C19, H05VV-F3G1.5, black
Cord Sets 16 A, Interconnection, 2.0 m, Connector IEC C19, H05VV-F3G1.5, black
Cord Sets 16 A, North America, 2.5 m, Connector IEC C19, SJT 3x14 AWG, black

4300.0920
6004.0395
6020.0392
6020.0394
6009.5195

Power Supply Cord further types to EF11

Mating Outlets/Connectors shuttered



Power Cord Overview complete

Overview Power Cord with IEC Appliance Connector C19, V-Lock, straight
Power Cord further types to EF11

VAC19KS