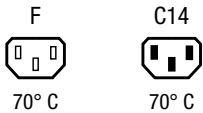


Distribution Unit for Screw-on Mounting with 1 IEC Appliance Inlet C14 and 1 Connector F



Description

- Panel Mount:
Screw-on mounting, from front side
- 1 Function:
appliance inlet/-outlet, Pin temperature 70 °C Protection class I Solder terminals or quick connect terminals

Approvals

- UL File Number: E45115
- CSA File Number: 1894886

References

We recommend for new applications the type [0712](#)
Last order date: 31.12.2013

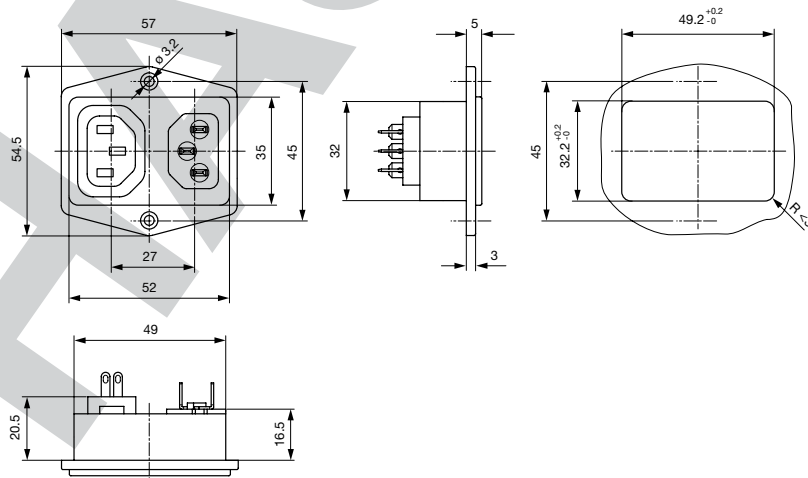
Weblinks

[pdf-datasheet](#), [html-datasheet](#), [General Product Information](#), [Approvals](#), [CE declaration of conformity](#), [RoHS](#), [CHINA-RoHS](#), [Mating Connectors](#), [e-Shop](#), [SCHURTER-Stock-Check](#), [Distributor-Stock-Check](#), [CAD-Drawings](#), [Accessories](#), [Detailed request for product](#)

Technical Data

Ratings IEC	10A / 250VAC; 50Hz	Appliance Inlet / Appliance Outlet	C14 acc. to IEC 60320 / F acc. to IEC 60320
Ratings UL/CSA	15A / 250VAC; 60 Hz		UL 498 CSA C22.2 no. 42 (for cold conditions) pin-temperature 70 °C, 10A, Protection Class I
Dielectric Strength	> 3kVAC between L-N > 1.5kVAC between L/N-PE (1 min/50Hz)		
Allowable Operation Temp.	-25 °C to 70 °C		
Degree of Protection	from front side IP 20 acc. to IEC 60529		
Protection Class	Suitable for appliances with protection class I acc. to IEC 61140		
Terminal	Solder terminals or quick connect terminals Solder terminals or quick connect terminals		
Material: Housing	PA6, black / grey / white, UL 94V-0		

Dimensions



Length of the terminal please find at the order code configuration table

Config. Code





1051 - H - A B C 0- D - E 00 M N O

The characters are placeholders for the correspondingly keys of selections from the key tables.

1051 - H - A B C 0 - D - E 00 M N O = Type

Type	Configuration key
protection class 1	X

1051 - H - A B C 0 - D - E 00 M N O = Terminals

Terminal L	Configuration key
short solder terminal (L = 4.8 mm) 	2
long solder terminal (L = 8.5 mm) 	3
Blade terminal (4.8 x 0.8 mm) 	8
Blade terminal (6.3 x 0.8 mm) 	9

1051 - H - A B C 0 - D - E 00 M N O = Terminals

Terminal N	Configuration key
short solder terminal (L = 4.8 mm)	2
long solder terminal (L = 8.5 mm)	3
Blade terminal (4.8 x 0.8 mm)	8
Blade terminal (6.3 x 0.8 mm)	9

Symbols similar as in table A

1051 - H - A B C 0 - D - E 00 M N O = Terminals

Terminal Ground	Configuration key
short solder terminal (L = 4.8 mm)	2
long solder terminal (L = 8.5 mm)	3
Blade terminal (4.8 x 0.8 mm)	8
Blade terminal (6.3 x 0.8 mm)	9

Symbols similar as in table A

1051 - H - A B C 0 - D - E 00 M N O = Color

Color	Configuration key
Black	A

1051 - H - A B C 0 - D - E 00 M N O = Style

Style	Configuration key
flange with countersunk holes	1

1051 - H - A B C 0 - D - E 00 M N O = Terminal Connector PEM

Terminal L	Configuration key
solder terminal	1
Blade terminal (6.3 x 0.8 mm)	9

1051 - H - A B C 0 - D - E 00 M N O = Terminal Connector PEM

Terminal N	Configuration key
solder terminal	1
Blade terminal (6.3 x 0.8 mm)	9

1051 - H - A B C 0 - D - E 00 M N O = Terminal Connector PEM

Terminal Ground	Configuration key
solder terminal	1
Blade terminal (6.3 x 0.8 mm)	9

Variants

Config. Code	Description	Order Number
1051-X-2220-A-100111	1051, IEC Distribution Unit C14 + F, 70°C I, L: short solder terminal (L = 4.8 mm), N: short solder terminal (L = 4.8 mm), ground: short solder terminal (L = 4.8 mm), terminals outlet L: solder terminal, terminals outlet L: solder terminal, ground: solder terminal, color: Black, design:	4304.6003
1051-X-9990-A-100999	1051, IEC Distribution Unit C14 + F, 70°C I, L: Blade terminal (6.3 x 0.8 mm), N: Blade terminal (6.3 x 0.8 mm), ground: Blade terminal (6.3 x 0.8 mm), terminals outlet L: Blade terminal (6.3 x 0.8 mm), terminals outlet L: solder terminal, ground: Blade terminal (6.3 x 0.8 mm), color: Black, design:	4304.6004

The listed variants should be available from stock Other versions on request www.schurter.com/contact

Availability for all products can be searched real-time: <http://www.schurter.com/en/Stock-Check/Stock-Check-SCHURTER>

Packaging unit 50 Pcs