

Metal Switch Short Stroke



MCS 19 painted green



MCS 19 actuator painted red



MCS 19 stainless steel



Description

- Momentary action switch available in version Standard, with Point Illumination, Lettering, varnished in different colours
Assembly by mounting with nut
- Pin connections, Pins with Soldering Aid or Clip for Pins

Approvals

- EMC: EMC directive 2004/108/EWG

Characteristics

- Housing and actuator material types: zinc die-cast with nickel plating or stainless steel
- Wide range of materials, colours, lettering, colours of illumination
- Switching voltage 48 VDC, switching current 125 mA
- Zinc die-cast for housing and actuator
 - For indoor use, no illumination, no lettering
- Stainless Steel for actuator
 - Optional point illumination and laser lettering with standard or customer-specific symbols
- Stainless Steel for housing and actuator
 - for use in harsh environments outdoors
- Varnished Version
 - Colour adjustments to customer housings possible, as standard:
Signal colors red, green and yellow, optional: housing or actuator varnishing according to provided color specifications
the varnished actuators are sealed by transparent lacquer after the laser lettering

Weblinks

[html-datasheet](#), [General Product Information](#), [CE declaration of conformity](#), [RoHS](#), [CHINA-RoHS](#), [e-Shop](#), [CAD-Drawings](#), [Product News](#), [Detailed request for product](#)

Technical Data

Electrical Data

Supply Voltage LED operating data are listed in separate table

Contact Material Silver

Switching Voltage min. 4 VDC , max. 48 VDC
 Switching Current max. 125 mA
 Rated Switching Capacity 1.2 W
 Lifetime 1 million actuations at Rated Switching Capacity
 Contact Resistance < 50 mΩ, < 150 mΩ after lifetime
 Insulation Resistance > 100 MΩ
 Duration of Bounce < 5 ms

Contact Material Gold

Switching Voltage min. 50 mVDC, max. 24 VDC
 Switching Current max. 80 mA
 Rated Switching Capacity 0.36 W
 Lifetime 1 million actuations at Rated Switching Capacity
 Contact Resistance < 50 mΩ, < 150 mΩ after lifetime
 Insulation Resistance > 100 MΩ
 Duration of Bounce < 5 ms

Mechanical Data

Actuating Force 3.7 N
 Actuating Travel 0.4 mm,
 Lifetime 1 million actuations
 Shock Protection IK 05 ,
 Tightening Torque 0.4 Nm with Sealing Ring, 1.5 Nm without Sealing Ring

Climatical Data

Operating Temperature -20 to +60 °C
 Storage Temperature -20 to +60 °C
 IP-Protection IP 65 Front Side Contact Area, IP 40 Front Side mechanical,
 Salt Spray Test (acc. to DIN 50021-SS) 24 h / 48 h / 96 h Residence Time

Other Data

Contact Material Ag / Au

Soldering Data

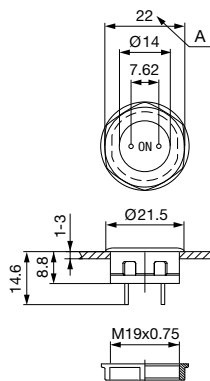
Tinning 260 °C / 2 sec according to DIN IEC 60068-2-20
 Solderability 260 °C / 2 sec (IEC 68-2-20 Test Ta Method 1)
 Resistance to Soldering Heat 260 °C / 5 sec (IEC 68-2-20 Test Tb Method 1A)

Material

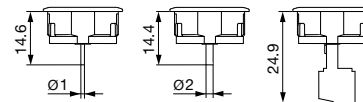
Housing Stainless Steel 1.4305 / Zinc Die Casting Nickel Plated
 Actuator unlettered Zinc Die Casting Nickel Plated
 Actuator lettered Stainless Steel
 Contact CuZn37 2,5 μm Ag
 Snap Dome X 12 CrNi 177 gold plated
 Socket PA

Dimension

MCS 19

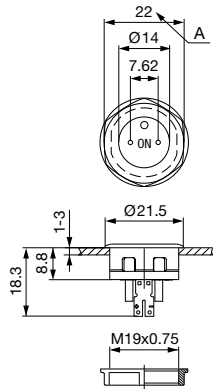


MCS 19 Connection Versions



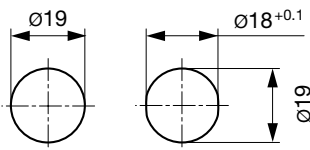
Drawing 1: Pins
 Drawing 2: Pins with Soldering Aid
 Drawing 3: Clip for Pins

MCS 19 PI



Legend:
Zinc Die Casting Version:
x = 1 mm without sealing ring
x = 2 mm with sealing ring
Stainless Steel Version:
x = 1 mm without sealing ring
x = 1,7 mm with sealing ring

Dimension



Drilling diagram

Diagrams

MCS 19 PI Bi-colour-LED



Point Illumination

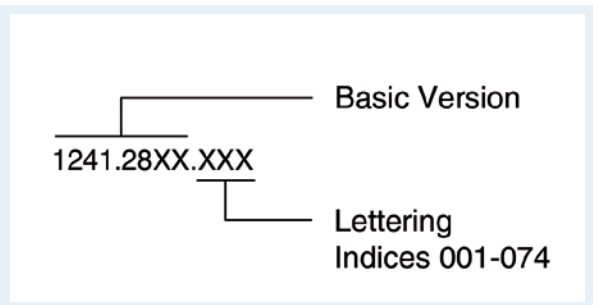
Operating Data	Forward Current max.	Forward Voltage at 10 mA	Forward Voltage max.
LED red	30 mA	1.9 VDC	3.0 VDC
LED green	30 mA	2.1 VDC	3.0 VDC
LED yellow	30 mA	2.1 VDC	3.0 VDC
LED blue	20 mA	3.8 VDC	4.5 VDC
LED red/green	25 mA	2.0 VDC	2.5 VDC

Attention: Switches are delivered without series resistor.

Lettering

Die letzten drei Ziffern der Bestellnummer geben die Beschriftung an:

000	keine Beschriftung
001-074	Standardbeschriftung
101-	kundenspezifische Beschriftung

Bestellbeispiel für Beschriftung**Lettering Colour of Laser Lettering**

Material	Lettering Colour	
Stainless Steel	black	Filled letters

For further Lettering details see also weblink:

Order Index Lettering

Laser Marking			
001 = A	021 = U	041 = ÷	061 = EIN
002 = B	022 = V	042 = *	062 = AUS
003 = C	023 = W	043 = =	063 = AUF
004 = D	024 = X	044 = #	064 = AB
005 = E	025 = Y	045 = ↔	065 = ON
006 = F	026 = Z	046 = †	066 = OFF
007 = G	027 = 0	047 = →	067 = UP
008 = H	028 = 1	048 = ←	068 = DOWN
009 = I	029 = 2	049 = ↓	069 = HIGH
010 = J	030 = 3	050 = ↑	070 = LOW
011 = K	031 = 4	051 = %	071 = ON/OFF
012 = L	032 = 5	052 = √	072 = START
013 = M	033 = 6	053 = CTRL	073 = RESET
014 = N	034 = 7	054 = RETURN	074 =
015 = O	035 = 8	055 = SHIFT	075 =
016 = P	036 = 9	056 = LOCK	076 =
017 = Q	037 = +	057 = STOP	
018 = R	038 = -	058 = ENTER	
019 = S	039 = .	059 = BACK	
020 = T	040 = x	060 = LINE	

All Variants

Terminal	Kontakte	Housing Material	Actuator Material	Lettering	Illumination	Color LED	Config. Code	Bestellnummer
Pins	Ag	Zinc Diecasting	Zinc Diecasting	without Lettering	non-illuminated	-	MCS 19 Zinc	1241.2800
Pins with Soldering Aid	Ag	Zinc Diecasting	Zinc Diecasting	without Lettering	non-illuminated	-	MCS 19 Zinc	1241.2801
Clip for Pins	Ag	Zinc Diecasting	Zinc Diecasting	without Lettering	non-illuminated	-	MCS 19 Zinc	1241.2802
Pins	Ag	Zinc Diecasting	Stainless Steel	without Lettering	non-illuminated	-	MCS 19 Zinc/Stainless Steel	1241.2805
Pins	Ag	Zinc Diecasting	Stainless Steel	with Lettering	non-illuminated	-	MCS 19 Zinc/Stainless Steel	1241.2805.057
Pins with Soldering Aid	Ag	Zinc Diecasting	Stainless Steel	without Lettering	non-illuminated	-	MCS 19 Zinc/Stainless Steel	1241.2806
Clip for Pins	Ag	Zinc Diecasting	Stainless Steel	without Lettering	non-illuminated	-	MCS 19 Zinc/Stainless Steel	1241.2807
Pins	Au	Zinc Diecasting	Zinc Diecasting	without Lettering	non-illuminated	-	MCS 19 Zinc	1241.2810
Clip for Pins	Au	Zinc Diecasting	Zinc Diecasting	without Lettering	non-illuminated	-	MCS 19 Zinc	1241.2812
Pins	Au	Zinc Diecasting	Stainless Steel	without Lettering	non-illuminated	-	MCS 19 Zinc/Stainless Steel	1241.2815
Clip for Pins	Au	Zinc Diecasting	Stainless Steel	without Lettering	non-illuminated	-	MCS 19 Zinc/Stainless Steel	1241.2817
Pins	Ag	Stainless Steel	Stainless Steel	without Lettering	non-illuminated	-	MCS 19 Stainless Steel	1241.2820
Pins with Soldering Aid	Ag	Stainless Steel	Stainless Steel	without Lettering	non-illuminated	-	MCS 19 Stainless Steel	1241.2821
Clip for Pins	Ag	Stainless Steel	Stainless Steel	without Lettering	non-illuminated	-	MCS 19 Stainless Steel	1241.2822
Clip for Pins	Au	Stainless Steel	Stainless Steel	without Lettering	non-illuminated	-	MCS 19 Stainless Steel	1241.2827
Pins with Soldering Aid	Ag	Stainless Steel	Stainless Steel	without Lettering	Point Illumination	red	MCS 19 PI	1241.2830
Pins with Soldering Aid	Ag	Stainless Steel	Stainless Steel	without Lettering	Point Illumination	green	MCS 19 PI	1241.2831
Pins with Soldering Aid	Ag	Stainless Steel	Stainless Steel	without Lettering	Point Illumination	yellow	MCS 19 PI	1241.2832
Pins with Soldering Aid	Ag	Stainless Steel	Stainless Steel	without Lettering	Point Illumination	red / green	MCS 19 PI	1241.2833
Pins with Soldering Aid	Ag	Zinc Diecasting	Stainless Steel	without Lettering	Point Illumination	red	MCS 19 PI	1241.2855
Pins with Soldering Aid	Ag	Zinc Diecasting	Stainless Steel	without Lettering	Point Illumination	green	MCS 19 PI	1241.2856
Pins with Soldering Aid	Ag	Zinc Diecasting	Stainless Steel	without Lettering	Point Illumination	yellow	MCS 19 PI	1241.2857
Pins with Soldering Aid	Ag	Zinc Diecasting	Stainless Steel	without Lettering	Point Illumination	red / green	MCS 19 PI	1241.2858
Pins with Soldering Aid	Ag	Zinc Diecasting	Stainless Steel	without Lettering	Point Illumination	blue	MCS 19 PI	1241.2859

Order numbers MCS 19, varnished versions (Colour of the switch housing or the actuator): 1241.28xx.A => A = 1 (yellow) / 3 (red) / 5 (green)

xx = 70 standard pins, 71 Soldering aid, 72 Screw connection with varnished housing die cast / actuator die cast

xx = 73 standard pins, 74 soldering aid, 75 screw connection with varnished housing die cast / actuator stainless steel

xx = 77 standard pins, 78 soldering aid, 79 screw connection with varnished actuator stainless steel / housing die cast

Order numbers MCS 19, illuminated versions (Point Illumination): 1241.2876.A.XXX.B and respectively 1241.2880.A.XXX.B => B = 1 (red) / 2 (green) / 3 (yellow) / 4 (blue) / 5 (red-green)

For Lettering versions see tables "Lettering" and "Order Index Lettering" to determine the symbol

Plastic nut with gasket are enclosed in the box.

Most Popular.

Availability for all products can be searched real-time: <http://www.schurter.com/Stock-Check/Stock-Check-SCHURTER>

Packaging unit 20 in box with insert (20 pcs, with connecting terminal 10 pcs.)



- Actuating elements in ESD safe packaging
- Screw nuts and sealing rings in a bag (enclosed in the box)



- Actuating elements in ESD safe packaging
- Screw nuts and sealing rings in a bag (enclosed in the box)

Accessories

Description



Connecting Terminal MCS 19
Connecting Terminal