

4803, Plug, solder terminal, insulated, 6.3 mm, 2-pole, straight, UK-Connector



Description

- Solder terminal :
for cable mounting
- Data and Signal transfer
- Data and Signal Connectors 2-pole , insulated , straight

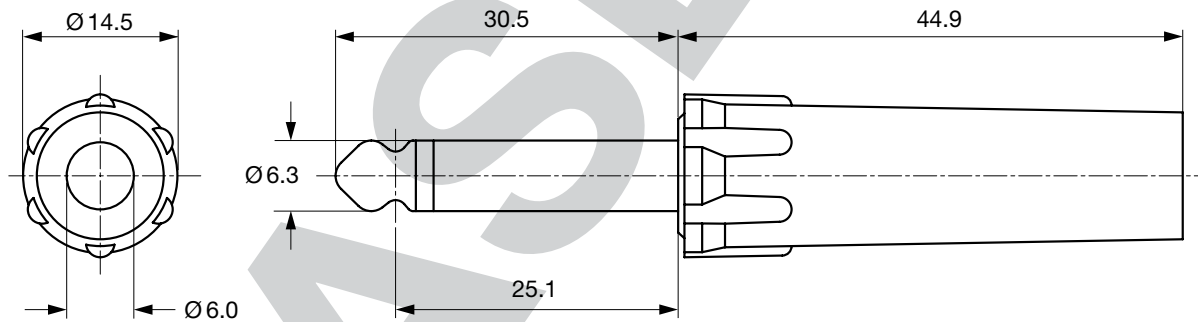
References

Alternative: Housing shielded [4803.1200](#)
Last order date: 30.06.2016

Technical Data

Diameter	6.3 mm	Allowable Operation Temp.	-20°C to 70°C
Number of Poles	2-pole	Terminal	solder terminal
Ratings DC	2A / 12VDC	Housings	insulated
Ratings AC	2A / 12VAC	Style	straight
Dielectric Strength	1000VDC	Lifetime	10000 Insertions
Insulation Resistance	> 10000 MΩ @ 500VDC		

Dimensions



All Variants

Product group	Diameter [mm]	Number of Poles	Terminal	Order Number
Data and Signal Plug/ Sockets	6.3	2-pole	solder terminal	4803.1210

Most Popular.

Availability for all products can be searched real-time:<http://www.schurter.com/Stock-Check/Stock-Check-SCHURTER>

Packaging unit 100 Pcs