

4803, Plug, solder terminal, screened, 6.3 mm, 3-pole, straight, UK-Connector



Description

- Solder terminal :
for cable mounting
- Data and Signal transfer
- Data and Signal Connectors 3-pole , shielded , straight

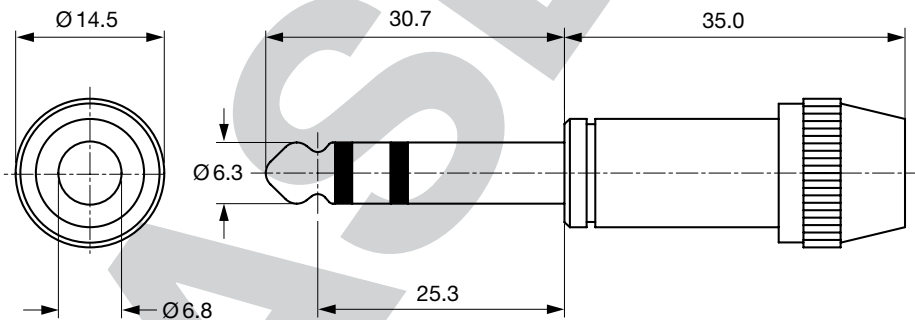
References

Alternative: Housing insulated [4803.1310](#); [4803.1320](#)
Last order date: 30.06.2016

Technical Data

Diameter	6.3 mm	Allowable Operation Temp.	-20 °C to 70 °C
Number of Poles	3-pole	Terminal	solder terminal
Ratings DC	2 A / 12 VDC	Housings	screened
Ratings AC	2 A / 12 VAC	Style	straight
Dielectric Strength	1000 VDC	Lifetime	10000 Insertions
Insulation Resistance	> 10000 MΩ @ 500 VDC		

Dimensions



All Variants

Product group	Diameter [mm]	Number of Poles	Terminal	Order Number
Data and Signal Plug/ Sockets	6.3	3-pole	solder terminal	4803.1300

Most Popular.

Availability for all products can be searched real-time: <http://www.schurter.com/Stock-Check/Stock-Check-SCHURTER>

Packaging unit 100 Pcs