

4803, Socket, solder terminal, insulated, 6.3 mm, 2-pole, straight, UK-Connector



Description

- Solder terminal :
Screw-on mounting , from rear-side
- Data and Signal transfer
- Data and Signal Connectors 2-pole , insulated , straight
- Reinforced gold plating for increased insertions

References

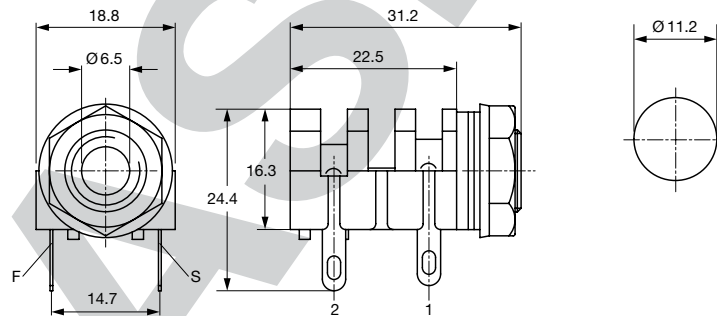
Alternative: Housing shielded [4803.2200](#)
Last order date: 30.06.2016

Technical Data

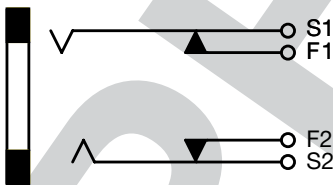
| | |
|-----------------------|---------------------|
| Diameter | 6.3 mm |
| Number of Poles | 2-pole |
| Ratings DC | 2A / 12VDC |
| Ratings AC | 2A / 12VAC |
| Dielectric Strength | 1000VDC |
| Insulation Resistance | > 10000 MΩ @ 500VDC |

| | |
|---------------------------|--|
| Allowable Operation Temp. | -20 °C to 70 °C |
| Terminal | solder terminal |
| Mounting | Screw-on mounting wall thickness max. 4.0mm |
| Housings | insulated |
| Style | straight |
| Lifetime | 10000 Insertions |

Dimensions



Diagrams



All Variants

| Product group | Diameter [mm] | Number of Poles | Terminal | Order Number |
|----------------------------------|---------------|-----------------|-----------------|--------------|
| Data and Signal Plug/ Sockets | 6.3 | 2-pole | solder terminal | 4803.2210 |

Most Popular.

Availability for all products can be searched real-time:<http://www.schurter.com/Stock-Check/Stock-Check-SCHURTER>

Packaging unit 100 Pcs

PHASE-OUT