

IEC Appliance Inlet C14 or C18 with Filter, ECO design, Front- or Rear Side Mounting

Standard- or Medical-Filter



Front side mounting with plastic flange



Snap-in mounting  
Quick connect terminals 6.3 x 0.8 mm  
Protection class II



Screw-on mounting  
with wires (stranded)



### Description

- Panel Mount :  
Screw-on version from front or rear side, snap-in version from front side, PCB Version from rear side
- 2 Functions :  
Appliance Inlet protection class I or II , Line filter in standard and medical version
- Solder, quick connect or wire (stranded)
- PCB Mounting
- Earth Terminal

### Unique Selling Proposition

- Various variants
- Metal flange for optimal shielding
- Compact design
- Variants for protection class I and II

### Approvals

- Approval Reference Type: 5120
- VDE Certificate Number: 40016382
- UL File Number: E72928
- CCC File Number: 2010010204438235

### Characteristics

- Compact high performance filter
- Optimal shielding due to completely closed filter case, unpotted
- Designed for standard and medical applications
- Suitable for assembly in metal plated plastic housings
- Suitable for use in equipment according to IEC/UL 60950
- Suitable for use in medical equipment according to IEC/UL 60601-1

### Other versions on request

- Snap-in for panel thickness >2mm to 3mm
- flexible wire with various lengths
- Class X1- and Y1-capacitors for enhanced withstand voltage
- Medical version M80
- Variant with notch for V-Lock mating Cordsets

### References

Alternative: version without line filter [6100-3](#); [6100-4](#); [6102-3](#); [6102-5](#)

### Weblinks

[pdf datasheet](#), [html-datasheet](#), [General Product Information](#), [RoHS](#), [CHINA-RoHS](#), [REACH](#), [Distributor-Stock-Check](#), [Accessories](#), [Detailed request for product](#), [Microsite](#)

Newly available variants corresponding to V-Lock mating cordset. The connector is equipped with a notch intended for use with the latching cordset. The cord latching system prevents against accidental removal of the cordset.

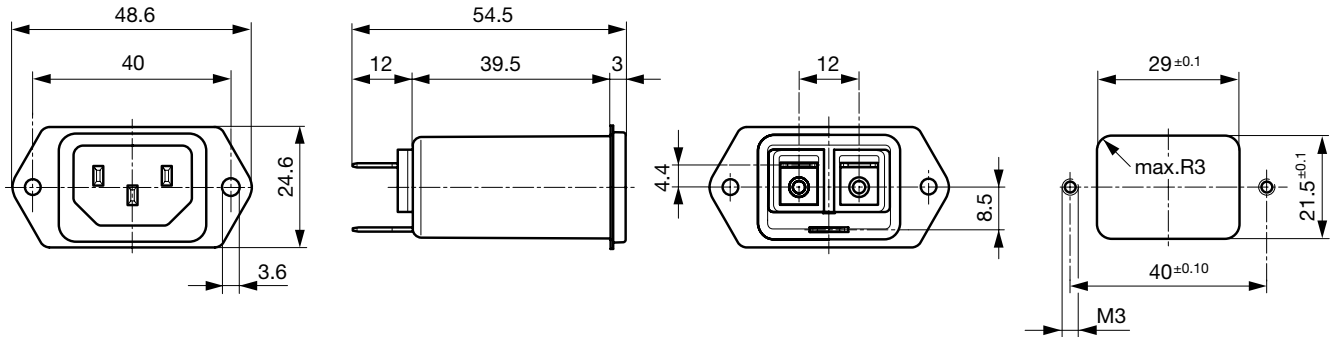
### Technical Data

Ratings IEC	1 - 10A @ Ta 40 °C / 250 VAC; 50Hz	appliance inlet/-outlet	C14 / C18 acc. to IEC 60320-1, UL 498, CSA C22.2 no. 42 (for cold conditions) pin-temperature 70 °C, 10A, Protection Class I or II
Ratings UL/CSA	1 - 15A @ Ta 40 °C / 250 VAC; 60Hz	Line Filter	Standard and Medical Version, IEC 60939, UL 1283, CSA C22.2 no. 8 <a href="#">Technical Details</a>
Leakage Current	standard < 0.5 mA (250 V / 60 Hz) medical < 5 µA (250 V / 60 Hz)	MTBF	> 3'000'000 h acc. to MIL-HB-217 F
Dielectric Strength	> 1.7 kVDC between L-N > 2.7 kVDC between L/N-PE Test voltage (2 sec)		
Allowable Operation Temperature	-25 °C to 85 °C		
Climatic Category	25/085/21 acc. to IEC 60068-1		
IP-Protection	from front side IP 40 acc. to IEC 60529		
Protection Class	Suitable for appliances with protection class I or II acc. to IEC 61140		
Terminal	Quick connect terminals 6.3 x 0.8 mm Solder terminals Flexible wire AWG18 (15A AWG16), 150 mm		
Panel Thickness s	Screw with plastic flange: max 8 mm Mounting screw torque max 0.5 Nm Snap-in: 0.8 mm to 2 mm (all steps with one variant)		
Material: Housing	Thermoplast / steel tin-plated, black / metallic, UL 94V-0		

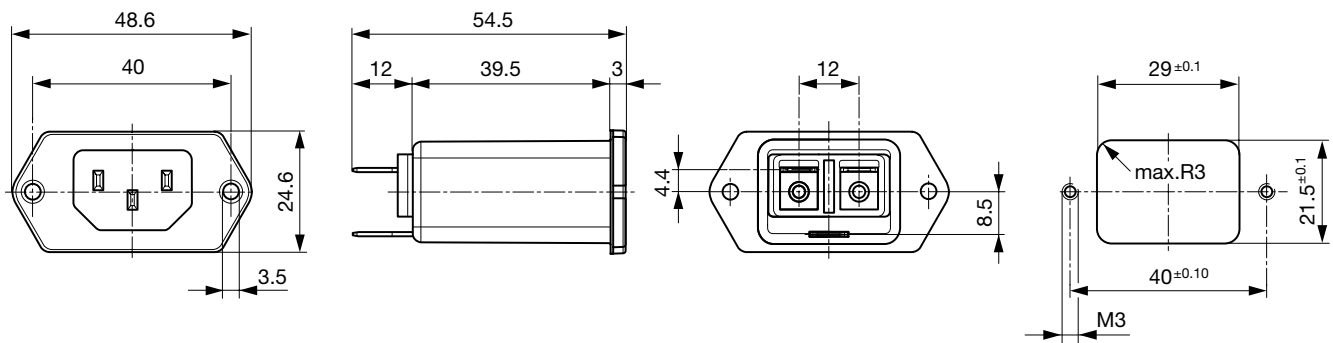
Detailed information on product approvals, code requirements, usage instructions and detailed test conditions can be looked up in [General Product Information](#)

**Dimension**

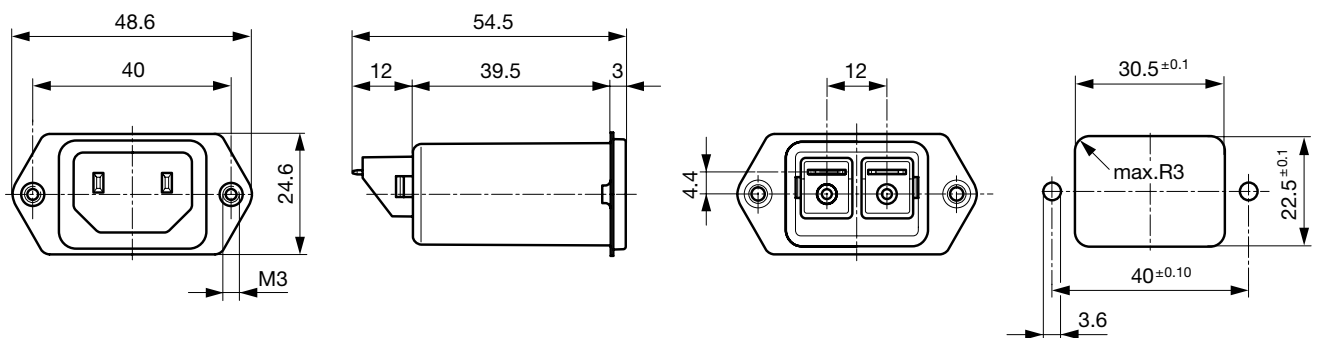
Front or rear side mounting for screws with nuts or blind rivets (panel cutout for frontside mounting)



Front side mounting with plastic flange

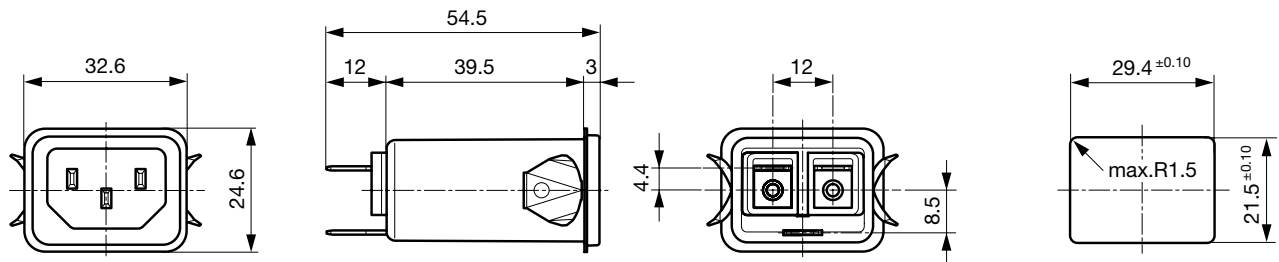


Rear side mounting with pre-formed, threaded holes for M3 screws (panel cutout for rear side mounting)



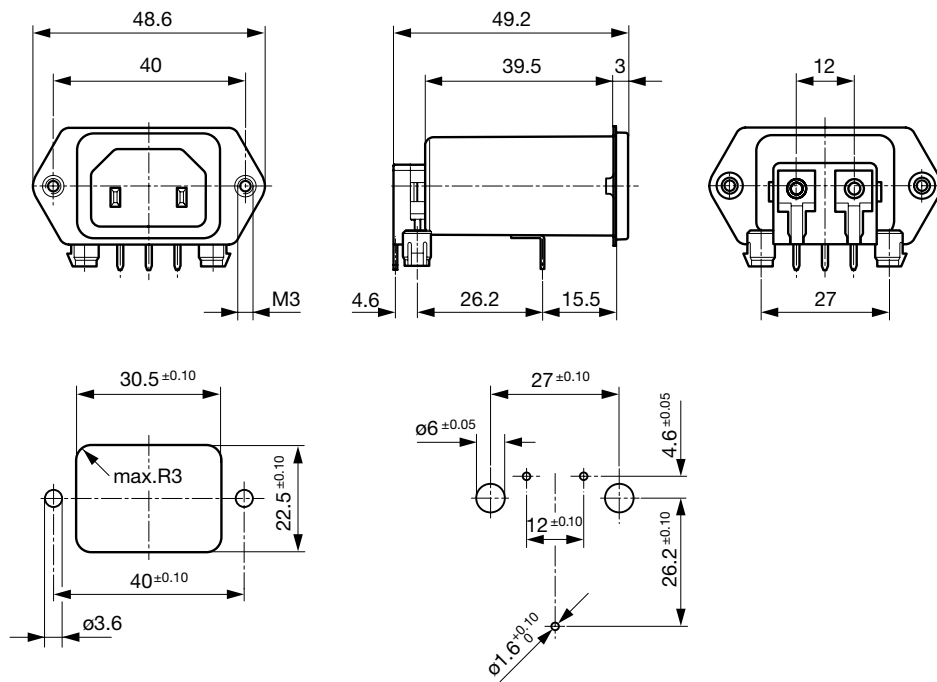
Dimensions for class II version also apply to class I

Snap-in mounting from front side

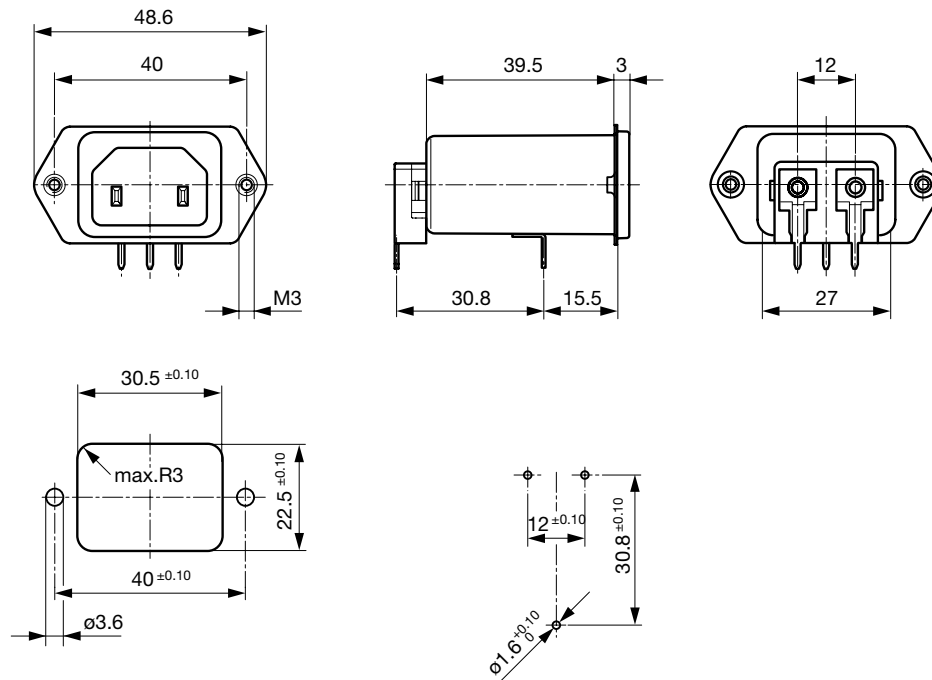


Dimensions for class I version also apply class II

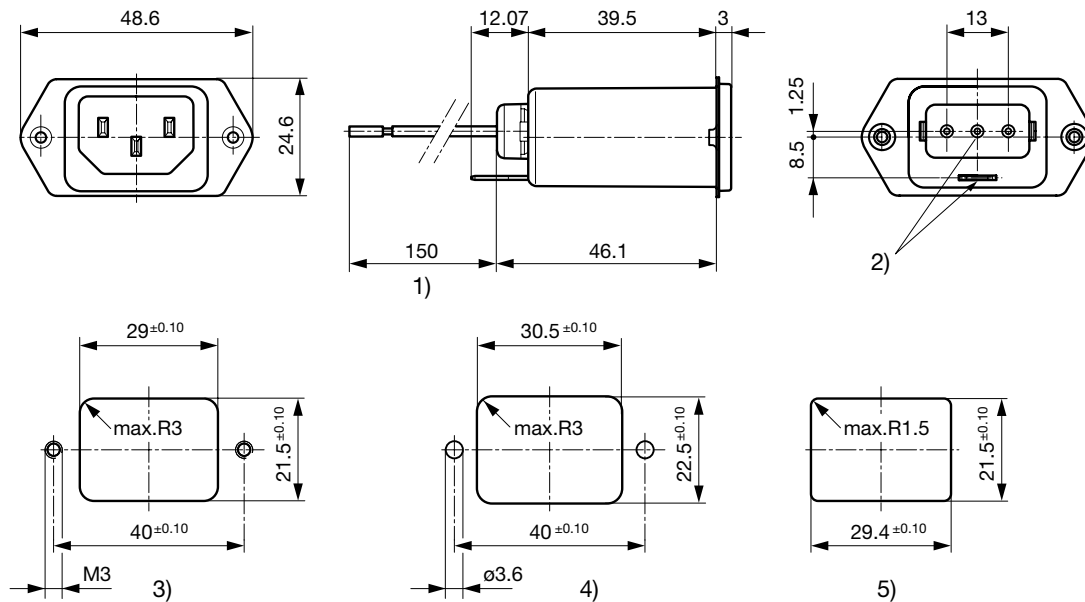
PCB snap-in rear side mounting, protection class II



## PCB rear side mounting, protection class II



## Screw and snap-in mounting with flexible wire



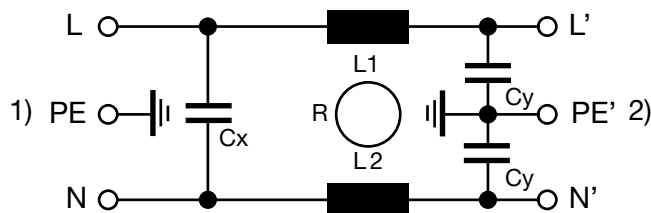
- 1) Flexible wire, standard length 150 mm or special length on request
- 2) Nonexistent for protection class II
- 3) Panel cut-out screw-on version, back-side mounting
- 4) Panel cut-out screw-on version, front- or back-side mounting
- 5) Panel cut-out snap-in version, front-side mounting

Technical Data of Filter-Components

Rated Current [A]	Filter-Type	Inductances L [mH]	Capacitance CX [nF]	Capacitance CY [nF]	R [MΩ]
1	Standard Version	2 x 12	100	2.2	-
2	Standard Version	2 x 5.2	100	2.2	-
4	Standard Version	2 x 2	100	2.2	-
6	Standard Version	2 x 0.8	100	2.2	-
10	Standard Version	2 x 0.4	100	2.2	-
15	Standard Version	2 x 0.1	100	2.2	-
1	Medical Version (M5)	2 x 12	100	-	1
2	Medical Version (M5)	2 x 5.2	100	-	1
4	Medical Version (M5)	2 x 2	100	-	1
6	Medical Version (M5)	2 x 0.8	100	-	1
10	Medical Version (M5)	2 x 0.4	100	-	1
15	Medical Version (M5)	2 x 0.1	100	-	1
1	Bleed Resistor Version	2 x 12	100	2.2	1
2	Bleed Resistor Version	2 x 5.2	100	2.2	1
4	Bleed Resistor Version	2 x 2	100	2.2	1
6	Bleed Resistor Version	2 x 0.8	100	2.2	1
10	Bleed Resistor Version	2 x 0.4	100	2.2	1
15	Bleed Resistor Version	2 x 0.1	100	2.2	1

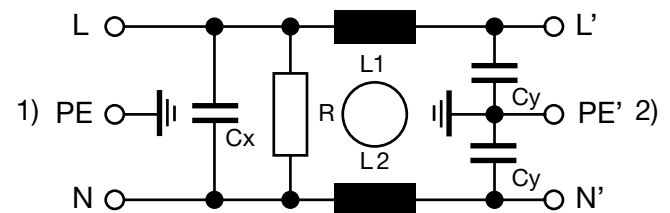
Diagrams

Standard version



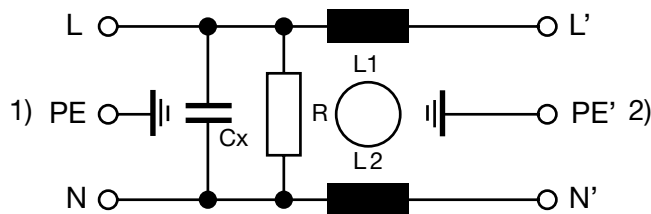
1) Line  
2) Load

Bleed resistor version / medical version M80



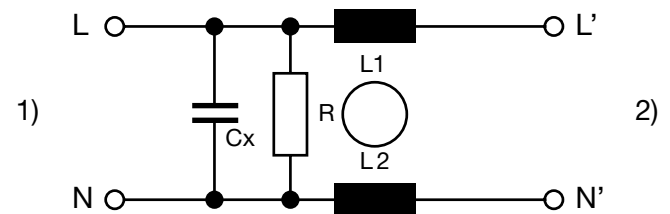
1) Line  
2) Load

Medical version M5



1) Line  
2) Load

Medical version M5, prot. class II

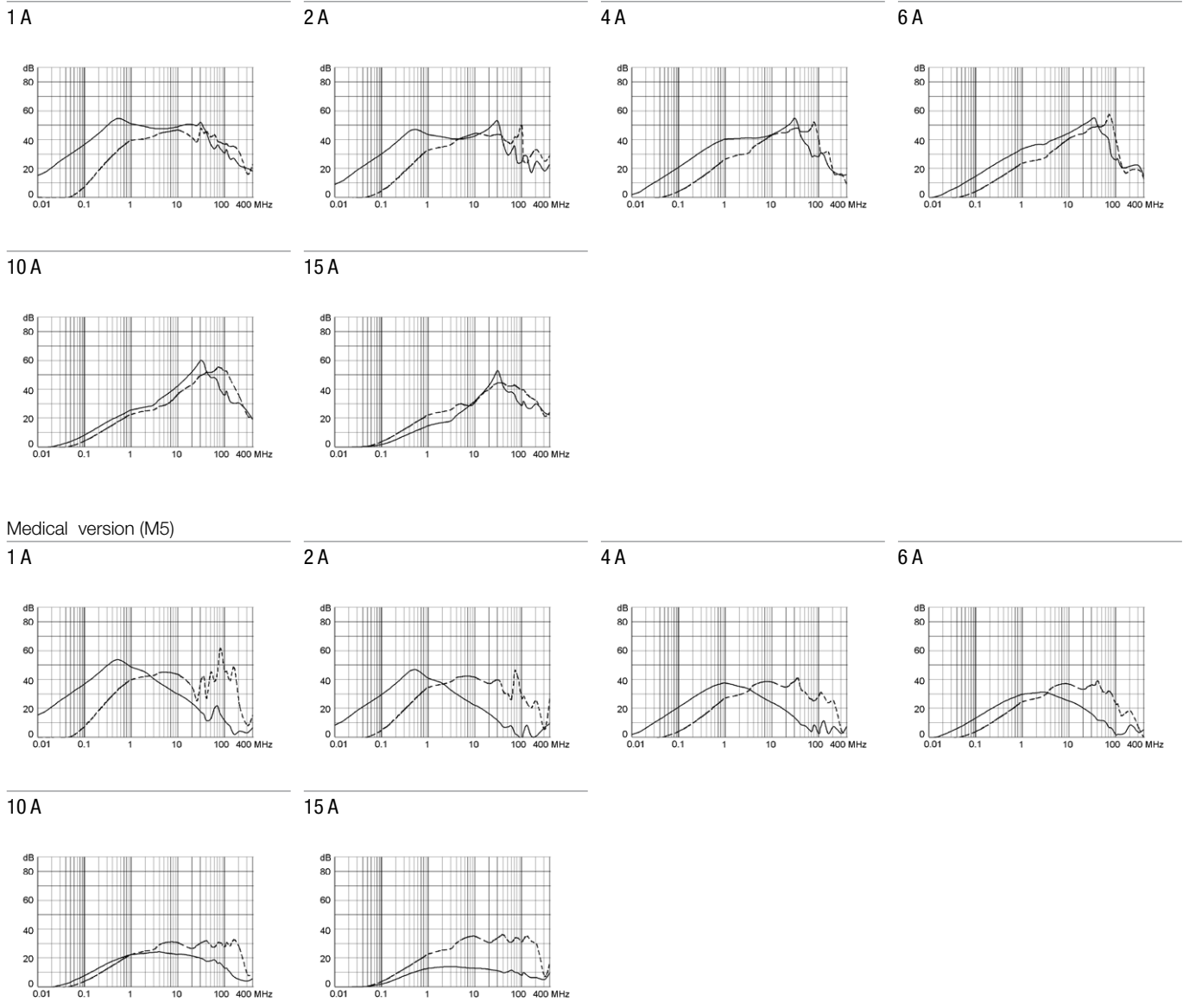


1) Line  
2) Load

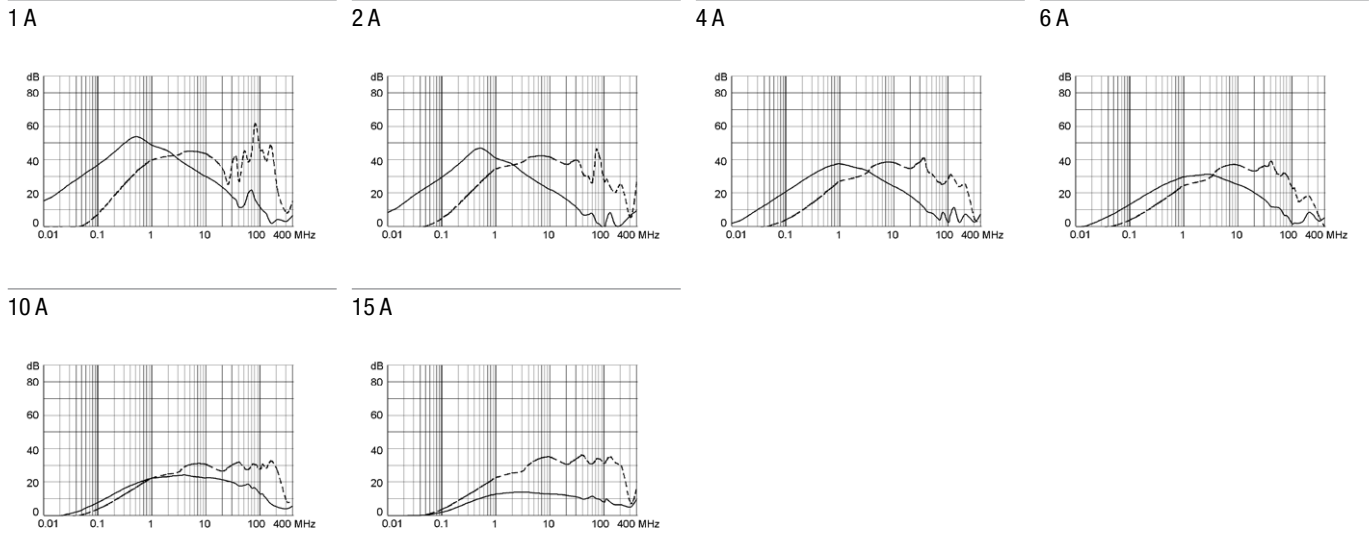
**Attenuation Loss**

Standard version

--- 50Ω differential mode    — 50Ω common mode



Medical version (M5)



**All Variants**

Rated Current [A]	Filter-Type	Mounting	Mounting side	Terminal	Protection Class	V-Lock	Order Number
6	Standard Version	Snap-in 2 - 3 mm	Front Side	Flexible wire	I		5120.3034.0
1	Standard Version	Snap-in	Front Side	Quick connect	I		5120.2000.0
2	Standard Version	Snap-in	Front Side	Quick connect	I		5120.2001.0
4	Standard Version	Snap-in	Front Side	Quick connect	I		5120.2003.0
6	Standard Version	Snap-in	Front Side	Quick connect	I		5120.2004.0
10	Standard Version	Snap-in	Front Side	Quick connect	I		5120.2006.0
10	Standard Version	Snap-in	Front Side	Flexible wire and	I		5120.2046.0
15	Standard Version	Snap-in	Front Side	Quick connect	I		5120.2007.0
1	Standard Version	Screw/PCB snap-in	Rear Side	PCB pin and earth	I		5120.5070.0
2	Standard Version	Screw/PCB snap-in	Rear Side	PCB pin and earth	I		5120.5071.0
4	Standard Version	Screw/PCB snap-in	Rear Side	PCB pin and earth	I		5120.5073.0
6	Standard Version	Screw/PCB snap-in	Rear Side	PCB pin and earth	I		5120.5074.0
10	Standard Version	Screw/PCB snap-in	Rear Side	PCB pin and earth	I		5120.5076.0
15	Standard Version	Screw/PCB snap-in	Rear Side	PCB pin and earth	I		5120.5077.0

Rated Current [A]	Filter-Type	Mounting	Mounting side	Terminal	Protection Class	V-Lock	Order Number
1	Standard Version	Screw/PCB	Rear Side	PCB pin and earth	I		5120.4070.0
2	Standard Version	Screw/PCB	Rear Side	PCB pin and earth	I		5120.4071.0
4	Standard Version	Screw/PCB	Rear Side	PCB pin and earth	I		5120.4073.0
6	Standard Version	Screw/PCB	Rear Side	PCB pin and earth	I		5120.4074.0
10	Standard Version	Screw/PCB	Rear Side	PCB pin and earth	I		5120.4076.0
15	Standard Version	Screw/PCB	Rear Side	PCB pin and earth	I		5120.4077.0
1	Standard Version	Screw-on/Rivet	Front-/Rear-Side	Quick connect	I		5120.0000.0
1	Standard Version	Screw-on/Rivet	Front-/Rear-Side	Solder terminals	I		5120.0010.0
2	Standard Version	Screw-on/Rivet	Front-/Rear-Side	Quick connect	I		5120.0001.0
4	Standard Version	Screw-on/Rivet	Front-/Rear-Side	Quick connect	I		5120.0003.0
6	Standard Version	Screw-on/Rivet	Front-/Rear-Side	Quick connect	I		5120.0004.0
10	Standard Version	Screw-on/Rivet	Front-/Rear-Side	Quick connect	I		5120.0006.0
15	Standard Version	Screw-on/Rivet	Front-/Rear-Side	Quick connect	I		5120.0007.0
15	Standard Version	Screw-on/Rivet	Front-/Rear-Side	Flexible wire	I		5120.0057.0
1	Standard Version	Screw with plastic flange	Front Side	Quick connect	I	●	3-101-140
2	Standard Version	Screw with plastic flange	Front Side	Quick connect	I	●	3-101-141
4	Standard Version	Screw with plastic flange	Front Side	Quick connect	I	●	3-101-142
6	Standard Version	Screw with plastic flange	Front Side	Quick connect	I	●	3-101-143
10	Standard Version	Screw with plastic flange	Front Side	Quick connect	I	●	3-100-776
15	Standard Version	Screw with plastic flange	Front Side	Quick connect	I	●	3-101-144
1	Standard Version	Screw	Rear Side	Quick connect	I		5120.1000.0
2	Standard Version	Screw	Rear Side	Quick connect	I		5120.1001.0
4	Standard Version	Screw	Rear Side	Quick connect	I		5120.1003.0
6	Standard Version	Screw	Rear Side	Quick connect	I		5120.1004.0
10	Standard Version	Screw	Rear Side	Quick connect	I		5120.1006.0
10	Standard Version	Screw	Rear Side	Quick connect	I	●	5120.1006.0.21
10	Standard Version	Screw	Rear Side	Flexible wire and	I		5120.1046.0
15	Standard Version	Screw	Rear Side	Quick connect	I		5120.1007.0
15	Standard Version	Screw	Rear Side	Quick connect	I	●	5120.1007.0.21
1	Medical Version (M5)	Snap-in	Front Side	Quick connect	I		5120.2300.0
2	Medical Version (M5)	Snap-in	Front Side	Quick connect	I		5120.2301.0
4	Medical Version (M5)	Snap-in	Front Side	Quick connect	I		5120.2303.0
6	Medical Version (M5)	Snap-in	Front Side	Quick connect	I		5120.2304.0
10	Medical Version (M5)	Snap-in	Front Side	Quick connect	I		5120.2306.0
15	Medical Version (M5)	Snap-in	Front Side	Quick connect	I		5120.2307.0
4	Medical Version (M5)	Screw/PCB snap-in	Rear Side	PCB pin and earth	I		5120.5373.0
6	Medical Version (M5)	Screw/PCB snap-in	Rear Side	PCB pin and earth	I		5120.5374.0
4	Medical Version (M5)	Screw/PCB	Rear Side	PCB pin and earth	I		5120.4373.0
6	Medical Version (M5)	Screw/PCB	Rear Side	PCB pin and earth	I		5120.4374.0
1	Medical Version (M5)	Screw-on/Rivet	Front-/Rear-Side	Quick connect	I		5120.0300.0
2	Medical Version (M5)	Screw-on/Rivet	Front-/Rear-Side	Quick connect	I		5120.0301.0
4	Medical Version (M5)	Screw-on/Rivet	Front-/Rear-Side	Quick connect	I		5120.0303.0
4	Medical Version (M5)	Screw-on/Rivet	Front-/Rear-Side	Flexible wire and	I		5120.0343.0
6	Medical Version (M5)	Screw-on/Rivet	Front-/Rear-Side	Quick connect	I		5120.0304.0
10	Medical Version (M5)	Screw-on/Rivet	Front-/Rear-Side	Quick connect	I		5120.0306.0
15	Medical Version (M5)	Screw-on/Rivet	Front-/Rear-Side	Quick connect	I		5120.0307.0
1	Medical Version (M5)	Screw with plastic flange	Front Side	Quick connect	I	●	3-101-145
2	Medical Version (M5)	Screw with plastic flange	Front Side	Quick connect	I	●	3-101-146
4	Medical Version (M5)	Screw with plastic flange	Front Side	Quick connect	I	●	3-100-794
6	Medical Version (M5)	Screw with plastic flange	Front Side	Quick connect	I	●	3-101-147
10	Medical Version (M5)	Screw with plastic flange	Front Side	Quick connect	I	●	3-101-148
15	Medical Version (M5)	Screw with plastic flange	Front Side	Quick connect	I	●	3-101-149
1	Medical Version (M5)	Screw	Rear Side	Quick connect	I		5120.1300.0
2	Medical Version (M5)	Screw	Rear Side	Quick connect	I		5120.1301.0

Rated Current [A]	Filter-Type	Mounting	Mounting side	Terminal	Protection Class	V-Lock	Order Number
4	Medical Version (M5)	Screw	Rear Side	Quick connect	I		5120.1303.0
6	Medical Version (M5)	Screw	Rear Side	Quick connect	I		5120.1304.0
10	Medical Version (M5)	Screw	Rear Side	Quick connect	I		5120.1306.0
10	Medical Version (M5)	Screw	Rear Side	Quick connect	I	●	5120.1306.0.21
10	Medical Version (M5)	Screw	Rear Side	Flexible wire and	I		5120.1346.0
15	Medical Version (M5)	Screw	Rear Side	Quick connect	I		5120.1307.0
1	Medical Version (M5)	Snap-in	Front Side	Quick connect	II		5120.2300.1
2	Medical Version (M5)	Snap-in	Front Side	Quick connect	II		5120.2301.1
4	Medical Version (M5)	Snap-in	Front Side	Quick connect	II		5120.2303.1
6	Medical Version (M5)	Snap-in	Front Side	Quick connect	II		5120.2304.1
10	Medical Version (M5)	Snap-in	Front Side	Quick connect	II		5120.2306.1
15	Medical Version (M5)	Snap-in	Front Side	Quick connect	II		5120.2307.1
4	Medical Version (M5)	Screw/PCB snap-in	Rear Side	PCB pin and earth	II		5120.5373.1
6	Medical Version (M5)	Screw/PCB snap-in	Rear Side	PCB pin and earth	II		5120.5374.1
10	Medical Version (M5)	Screw/PCB snap-in	Rear Side	PCB pin and earth	II		5120.5376.1
4	Medical Version (M5)	Screw/PCB	Rear Side	PCB pin and earth	II		5120.4373.1
6	Medical Version (M5)	Screw/PCB	Rear Side	PCB pin and earth	II		5120.4374.1
2	Medical Version (M5)	Screw-on/Rivet	Front-/Rear-Side	Quick connect	II		5120.0301.1
4	Medical Version (M5)	Screw-on/Rivet	Front-/Rear-Side	Quick connect	II		5120.0303.1
6	Medical Version (M5)	Screw-on/Rivet	Front-/Rear-Side	Quick connect	II		5120.0304.1
10	Medical Version (M5)	Screw-on/Rivet	Front-/Rear-Side	Solder terminals	II		5120.0316.1
1	Medical Version (M5)	Screw	Rear Side	Quick connect	II		5120.1300.1
2	Medical Version (M5)	Screw	Rear Side	Quick connect	II		5120.1301.1
2	Medical Version (M5)	Screw	Rear Side	Solder terminals	II		5120.1311.1
4	Medical Version (M5)	Screw	Rear Side	Quick connect	II		5120.1303.1
6	Medical Version (M5)	Screw	Rear Side	Quick connect	II		5120.1304.1
10	Medical Version (M5)	Screw	Rear Side	Quick connect	II		5120.1306.1
2	Bleed Resistor Version	Snap-in	Front Side	Quick connect	I		5120.2201.0
4	Bleed Resistor Version	Snap-in	Front Side	Quick connect	I		5120.2203.0
6	Bleed Resistor Version	Snap-in	Front Side	Quick connect	I		5120.2204.0
10	Bleed Resistor Version	Snap-in	Front Side	Quick connect	I		5120.2206.0
15	Bleed Resistor Version	Snap-in	Front Side	Quick connect	I		5120.2207.0
15	Bleed Resistor Version	Snap-in	Front Side	Quick connect	I	●	5120.2207.0.21
10	Bleed Resistor Version	Screw-on/Rivet	Front-/Rear-Side	Solder terminals	I		5120.0216.0

Most Popular.

Availability for all products can be searched real-time:<http://www.schurter.com/en/Stock-Check/Stock-Check-SCHURTER>

- 15 A version only according UL/CSA

- Type for screw-on mounting from rear side has pre-threaded holes for M3 screws

Variants with plastic flange are all V-Lock versions.

**Packaging unit** 10 Pcs



## Accessories

### Description



Wire Harness  
Wire harness for SCHURTER products



Assorted Covers  
Rear Cover

0859.0048



Cord retaining kits  
Cord retaining strain relief

Flat head, Z	0888.0021
Flat head, E	4700.0005
Flat head, G	4700.0007

## Mating Outlets/Connectors

### Category / Description

#### Appliance Outlet Overview complete



IEC Appliance Outlet F, Screw-on Mounting, Front Side, Solder Terminal	4787
IEC Appliance Outlet F, Snap-in Mounting, Front Side, Solder or Quick-connect Terminal	4788
IEC Appliance Outlet F or H, Screw-on Mounting, Front Side, Solder, PCB or Quick-connect Terminal	5091

[Appliance Outlet further types to 5120](#)

#### Connector Overview complete



4782 Mounting: Power Cord, 3 x 1 mm <sup>2</sup> / 3 x 18 AWG, Cable, Connector: IEC C13	4782
4022 Mounting: Power Supply Cord, 3 x 1.5 mm <sup>2</sup> , Screw clamps, Connector: IEC C13	4022
4785 Mounting: Power Cord, 3 x 1 mm <sup>2</sup> / 3 x 18 AWG, Cable, Connector: IEC C13	4785
4300-06 Mounting: Power Cord, 3 x 1 mm <sup>2</sup> / 3 x 18 AWG, Cable, Connector: IEC C13	4300-06
4012 Mounting: Power Supply Cord, 3 x 1.5 mm <sup>2</sup> , Screw clamps, Connector: IEC C13	4012

[Connector further types to 5120](#)

...

## Mating Outlets/Connectors shuttered

### Power Cord Overview complete



VAC17KS, North America, V-Lock cord retaining, 3.0 m, Connector C17, SJT 2x18 AWG, black	3-101-794
VAC17KS, North America, V-Lock cord retaining, 2.0 m, Connector C17, SJT 2x18 AWG, black	6051.2801
VAC17KS, North America, V-Lock cord retaining, 2.0 m, Connector C17, SJT 2x18 AWG, white	6051.2811
VAC17KS, United Kingdom, V-Lock cord retaining, 2.0 m, Connector IEC C17, H05VV-F2G1, black	3-101-184
VAC17KS, Switzerland, V-Lock cord retaining, 2.0 m, Connector IEC C17, H05VV-F2G1, black	3-101-185

[Power Cord further types to 5120](#)

...

