

1-stage filter with 1-phase CEE connector

new



Description

- Line filter in industrial version
- 1 stage
- high attenuation

Unique Selling Proposition

- First CEE power entry module with filter
- Easy prewired solution
- Universal flange for front or rear mounting
- Optimal filter position direct on the power entry

Approvals

- Approval Reference Type: FMAB CEE
- UL File Number: E72928
- ENEC File Number: SE/09137-3

Characteristics

- Protection against interference voltage from the mains
Possible interferences generated in the equipment are strongly attenuated
- Suitable for equipment with detachable power cord

Weblinks

[pdf datasheet](#), [html-datasheet](#), [General Product Information](#), [Approvals](#), [CE declaration of conformity](#), [RoHS](#), [CHINA-RoHS](#), [REACH](#), [Distributor-Stock-Check](#), [Detailed request for product](#), [Microsite](#)

Technical Data

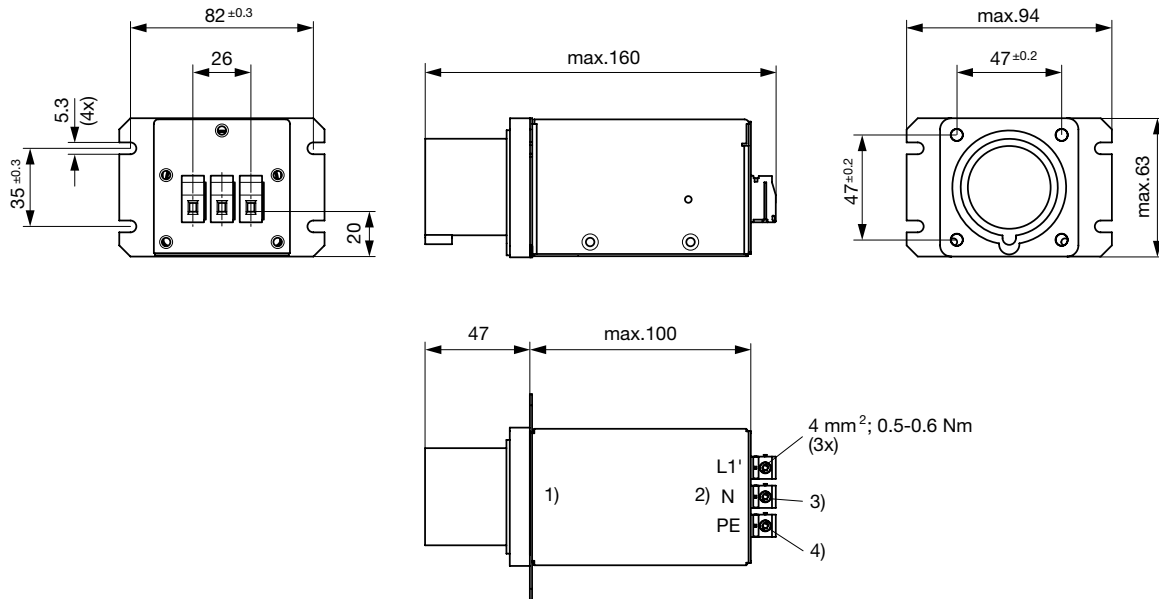
Ratings IEC	16 - 32A @ Ta 40 °C / 250VAC; 50Hz
Ratings UL/CSA	16 - 30A @ Ta 40 °C / 125/250VAC; 60Hz
Leakage Current	industrial < 1mA (250V / 50Hz)
Dielectric Strength	2.25kVDC between L-N 2.25kVDC between L/N-PE Test voltage (2 sec)
Allowable Operation Temperature	-40 °C to 85 °C
Climatic Category	40/085/21 acc. to IEC 60068-1
IP-Protection	IP 20 IEC 60529
Protection Class	Suitable for appliances with protection class I acc. to IEC 61140
Terminal	Screw clamps
Material: Housing	Metal

Line Filter	Industrial Version, IEC 60939, UL 1283, CSA C22.2 no. 8 Technical Details
MTBF	> 200'000h acc. to MIL-HB-217 F

Detailed information on product approvals, code requirements, usage instructions and detailed test conditions can be looked up in [General Product Information](#)

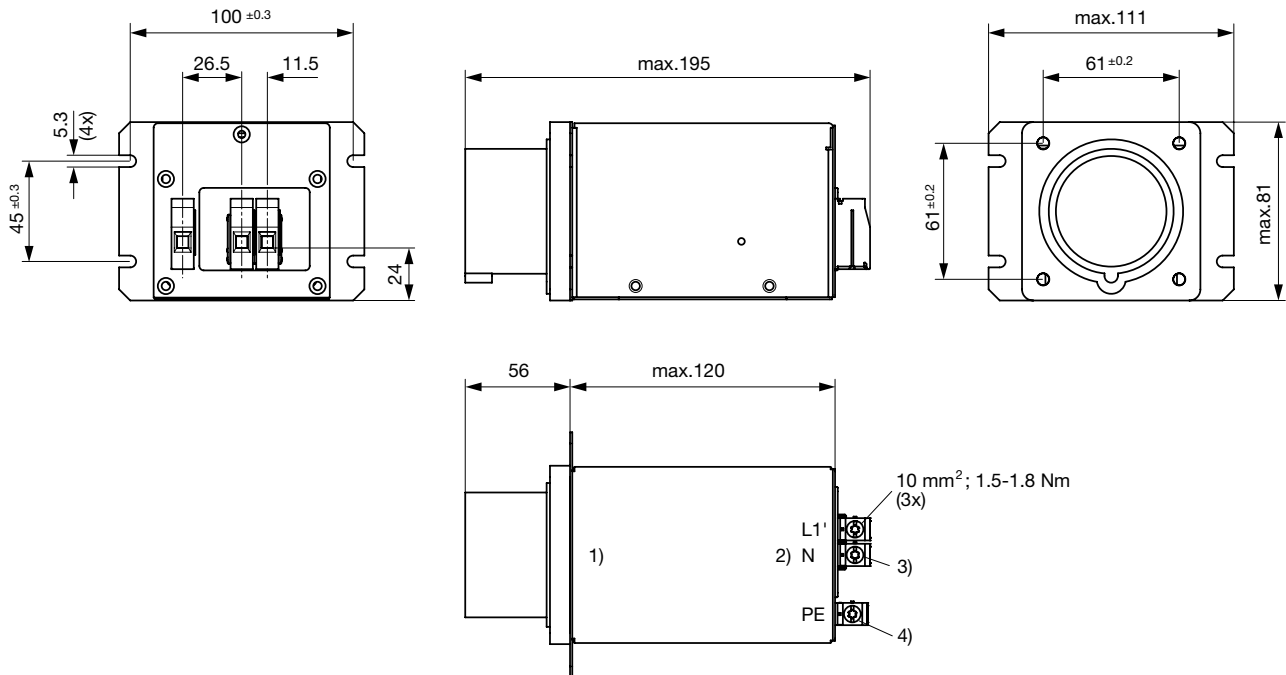
Dimension

Case QU



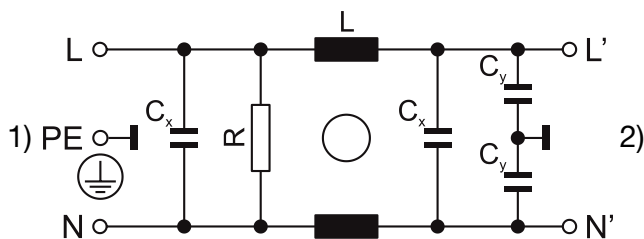
- 1) Line
- 2) Load
- 3) Blue
- 4) Yellow-Green

Case QT



- 1) Line
- 2) Load
- 3) Blue
- 4) Yellow-Green

Diagrams

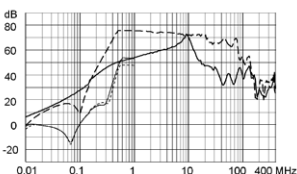
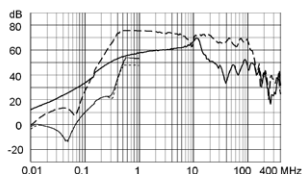


1) Line
2) Load

Attenuation Loss . . . 0.1/100Ω differential mode 100/0.1Ω differential mode - - - - 50Ω differential mode ____ 50Ω common mode
Industrial version

16 A

30 / 32 A



All Variants

Rated Current @ Ta 50°C (40°C) [A]	Rated Voltage [VAC]	Power _{loss} @ 25°C, 50Hz [W]	Leakage Current @ 400VAC, 50Hz [mA] ¹⁾	Weight [kg]	Screw clamps [mm ²] ²⁾	Housings	Packaging unit	Order Number
16	110	3	0.5	650 g	4	QU	1	5500.2359
16	125/250	3	1	650 g	4	QU	1	5500.2360
30	125	4.5	0.5	1100 g	10	QT	1	5500.2361
32	125/250	5.1	1	1100 g	10	QT	1	5500.2362

Most Popular.

Availability for all products can be searched real-time: <http://www.schurter.com/en/Stock-Check/Stock-Check-SCHURTER>

1) Leakage current acc. IEC60950 - 5.2.3 - Annex D (situation when neutral is interrupted)

2) Maximum conductor cross section (wire gauge) to be used; a comparative table for AWG and mm² values can be found in the general product information www.schurter.com/emc_info