

# DECLARATION OF CONFORMITY

SILVERTRONIC Ltd. confirm that the products listed below have been Designed, Manufactured and Tested to, and therefore are fully compliant to;  
**IEC1010-1 1990 inc. Amendment 2-1995 & IEC1010-2-031 First Edition-1993**  
and thus meet **THE LOW VOLTAGE DIRECTIVE (LVD) 73/23/EEC and amending directive 93/68/EEC**

PRODUCT TYPE / DESCRIPTION				Pair 1000 VOLT CROCODILE CLIPS	
PART No.				134222	
IEC1010 RATING	VOLTAGE	1000	Volts	INSULATION CATEGORY	III ( 3 )

MAXIMUM RATED CURRENT	30	<b>Amps</b>
POLLUTION DEGREE	2	
INSULATION CATEGORY	DOUBLE/REINFORCED	

INCLUDES FOLLOWING ASSEMBLIES / COMPONENTS SUBJECT TO INDIVIDUAL TEST.	DESCRIPTION	PART No.
	1000Volt Crocodile Clip	126024



All Testing carried out by Third Party Testhouse  
**CRANAGE EMC TESTING Ltd.**  
( LVD TESTING DEPARTMENT )



www.silvertronic.com  
e-mail: sales@silvertronic.com

Registration No. 1993292

**North American Office**  
4405 Sharon Copley Road,  
Medina, Ohio, 44256.  
Toll Free: (866) 556 3308  
Facsimile: (330) 722 2281



Date 22/12/98  
 Drn.By Steve \$

Title 1000 VOLT CROC CLIP KIT

ISSUE No. 1  
 22/12/98  
 PRODUCTION ISSUE

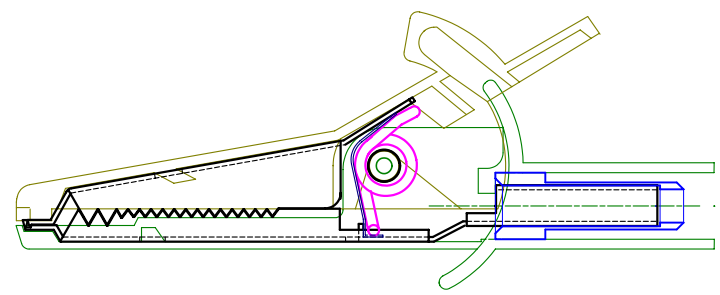
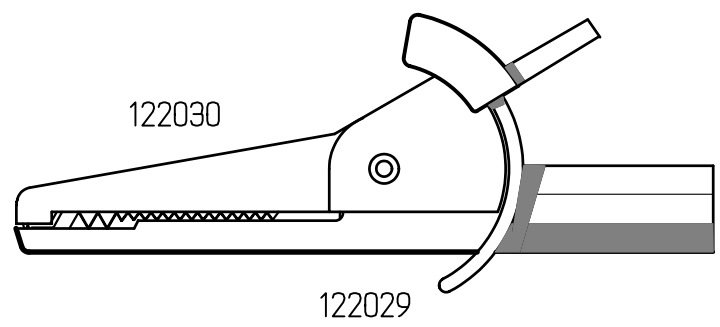
Part No. 134222

This drawing is not to be disclosed to a third party without the authority from the company.©

Scale FULL SIZE

COMPLIES TO IEC1010

# 1No. RED & BLACK 126024



## PARTS LIST FOR: 126024

ITEM No.	SUB. ASS. No.	PART No.	DESCRIPTION	QTY.
	122030		TOP JAW ASSEMBLY	
		108057N	TOP JAW TEETH	
		113251	TOP JAW COVER	
	122029		LOWER JAW ASSEMBLY	
		108044N	LOWER JAW TEETH	
		113252	LOWER JAW COVER	
		113258	SPRING SUPPORT	
		111017	SPRING	
		113259	PIN	
		108049	SPRING PLATE	
		113260	LONG INSULATOR	

ASSEMBLY JIG NUMBERS  
 J136.137.138.140

PACKAGING  
 POLYBAG: 111503  
 LABEL -

TOLERANCES CABLE LENGTHS +/- 5%

DO NOT SCALE.  
 ALL DIMENSIONS IN mm.