

Edco DRS Series

DIN Rail Protection

■ Surge Protection
For Business-Critical Continuity™

The Edco DRS Series is a din rail mountable, single pair surge suppression module implementing three-stage hybrid technology. This module addresses over-voltage transients with gas tubes and silicon avalanche components. In addition, sneak currents are mitigated with resettable fuses (PTCs). The PTCs increase resistance several orders of magnitude when over-currents exceed safe levels. A normal state resumes when over-currents are removed. The ability to self-restore in this manner significantly increases suppressor performance and survivability.

The Edco DRS Series mounts onto a standard 35mm industrial din rail. There are three “Field Side” and three “Electronics Side” screw terminals. One is reserved for a shield. Three electrically tied ground terminals are provided for grounding the Edco DRS Series unit to Building-Approved Ground. Shield is isolated from ground. For a 2-terminal version without a shield, order the Edco DRS-xxx-2.



General Technical Specifications

Part Number	Max Peak Signal Voltage	Nominal Breakdown Voltage	Max Current Ip 10x1000?s (Occurrences)	Peak Current 8x20?s	Typ Cap (pf)	Max Continuous Current	Nominal Series Resistance
DRS-008	6	8	>100	10KA	1500	150ma	5 Ω
DRS-015	12	15	>100	10KA	1500	150ma	5 Ω
DRS-232	15	22	>100	10KA	1500	150ma	5 Ω
DRS-030	24	30	>100	10KA	1500	150ma	5 Ω
DRS-036	30	36	>100	10KA	1500	150ma	5 Ω
DRS-043	35	43	>100	10KA	1500	150ma	5 Ω
DRS-050	43	50	>100	10KA	1500	150ma	5 Ω
DRS-060	52	60	>100	10KA	1500	150ma	5 Ω
*DRS-175	200	250	>10	8KA	1500	150ma	5 Ω
**DRS-130 RMS	170	200	>10	8KA	1500	5A	None

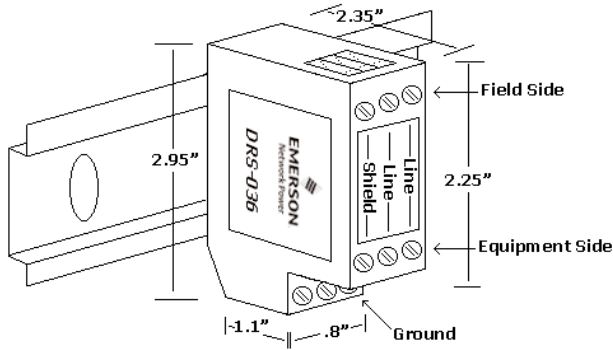
*NOT UL 497B Listed

** WARNING!! Edco DRS-130 RMS is for Discrete Signal Use Only. Do not use Edco DRS-130 RMS on 120 VAC Power Lines. This unit is a Non-Hybrid, MOV design, rated above 5A operational current and can withstand greater than eight occurrences of a 10kA 8x20μs waveform, and greater than 1000 occurrences of a 200A 10x1000μs waveform.

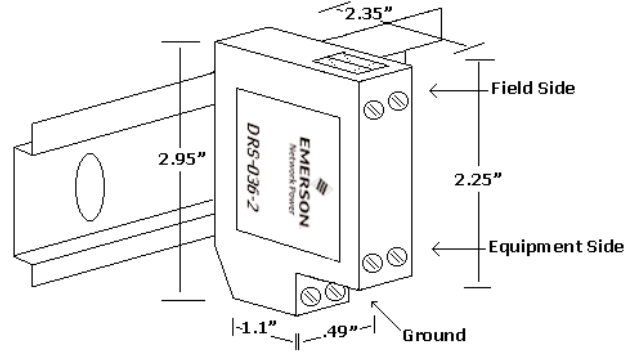
Features

- Low-voltage data surge protection
- Three-stage hybrid protection
- Sneak/fault current protection with resettable fuses (PTCs)
- Operating temperature -40c° to +85c°
- Low profile packaging
- Easy installation
- Fits standard 35mm din rail
- Fast response time <1 nanosecond
- UL 497B Listed
- 5 year warranty

Installation



3-Terminal Device



2-Terminal Device

Maximum Wire Size = 12 AWG

Installation Instructions

Read and Understand These Instructions:

These protectors are intended for indoor use on communication loop circuits which have been isolated from the Public Switch Telephone Network.

The communication loop circuits shall not be exposed to accidental contact with the electric light or power conductors. The protectors shall be installed per the applicable requirements of the National Electric Code, ANSI/NFPA 70.

Emerson Network Power.
The global leader in enabling
Business-Critical Continuity™.

- AC Power
- Embedded Computing
- Infrastructure Management & Monitoring
- Precision Cooling
- Connectivity
- Embedded Power
- Outside Plant
- Racks and Integrated Cabinets
- DC Power
- Industrial Power
- Power Switching & Controls
- Services

Emerson Network Power Contact information

www.emersonnetworkpower.com/surge

Headquarters

Surge Protection
100 Emerson Parkway
Binghamton, NY 13905
T: (607) 721-8840
T: (800) 288-6169
F: (607) 722-8713
E: contactsurge@emerson.com

