

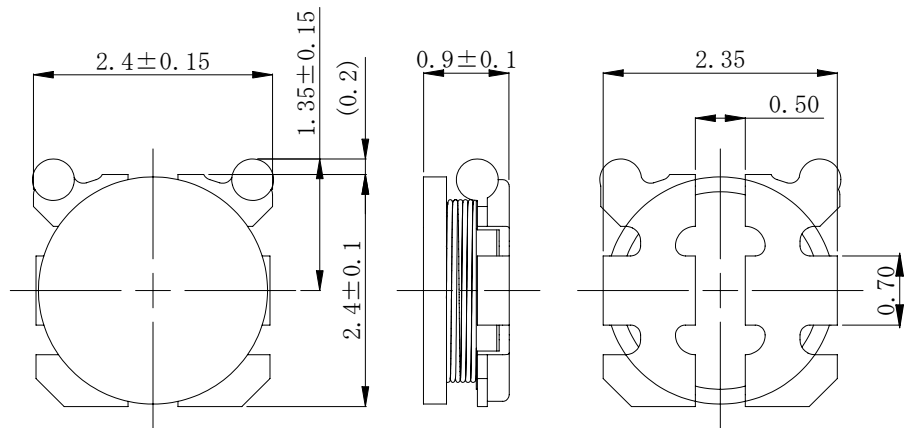
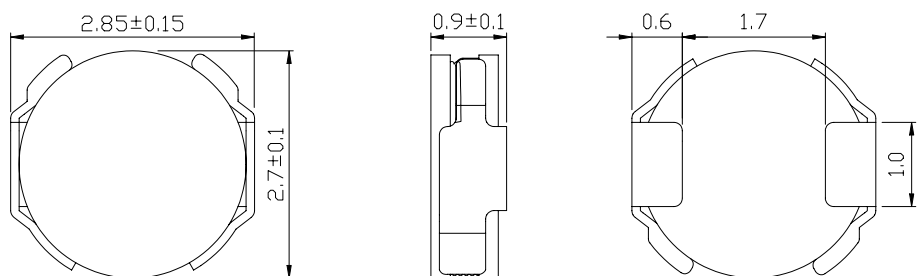
Type: CDH2D09/S, CDH2D09B
◆ Product Description

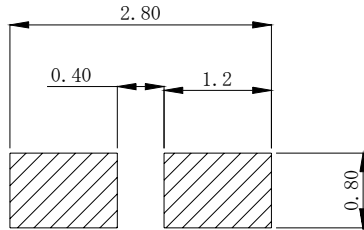
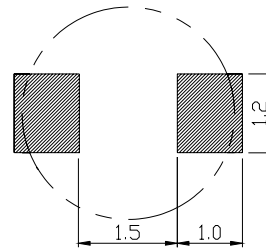
- 2.55×2.50mm Max.(L×W),1.0mm Max. Height.(CDH2D09/S)
- 3.0×2.8mm Max.(L×W),1.0mm Max. Height.(CDH2D09B)
- Inductance range:1.0~10 μ H(CDH2D09/S); 2.4~22 μ H(CDH2D09B).
- Rated current range:0.28~0.88A(CDH2D09/S); 0.31~1.0A(CDH2D09B).
- In addition to the standards versions shown here, custom inductors are also available to meet your exact requirements.

◆ Feature

- Magnetically unshielded construction.
- Ideally used in Mobilephone,PDA,MP3,HDD,DSC/DVC,etc as DC-DC inverter inductors.
- RoHS Compliance.

◆ Dimensions (mm)

CDH2D09/S

CDH2D09B


Type: CDH2D09/S, CDH2D09B
◆ Land Pattern (mm)

CDH2D09/S

CDH2D09B
◆ Specification(CDH2D09/S)

Part Name ※	Stamp	Inductance (μ H) 100kHz/1V	D.C.R.(m Ω) (20°C)	Saturation Current (A) ※1		Temperature Rise current (A) ※2
				(20°C)	(105°C)	
CDH2D09SNP-1R0M□	A	1.0 \pm 20%	110 \pm 20%	0.88	0.61	1.00
CDH2D09SNP-1R5M□	C	1.5 \pm 20%	140 \pm 20%	0.76	0.52	0.87
CDH2D09SNP-2R4M□	E	2.4 \pm 20%	195 \pm 20%	0.56	0.41	0.78
CDH2D09SNP-2R7M□	F	2.7 \pm 20%	215 \pm 20%	0.54	0.37	0.73
CDH2D09SNP-3R3M□	G	3.3 \pm 20%	240 \pm 20%	0.45	0.34	0.70
CDH2D09SNP-4R7M□	J	4.7 \pm 20%	380 \pm 20%	0.38	0.30	0.63
CDH2D09SNP-6R8M□	L	6.8 \pm 20%	455 \pm 20%	0.34	0.25	0.47
CDH2D09SNP-100M□	M	10 \pm 20%	830 \pm 20%	0.28	0.21	0.36

◆ Specification(CDH2D09B)

Part Name ※	Stamp	Inductance (μ H) 100kHz/1V	D.C.R.(m Ω) [Max.] (20°C)	Saturation Current (A) ※2 (20°C)	Temperature Rise current (A) ※2
CDH2D09BNP-2R4M□	E	2.4 \pm 20%	160(128)	1.00	1.18
CDH2D09BNP-3R3M□	F	3.3 \pm 20%	188(150)	0.85	1.06
CDH2D09BNP-4R7M□	G	4.7 \pm 20%	273(218)	0.70	0.85
CDH2D09BNP-6R4M□	J	6.4 \pm 20%	400(320)	0.60	0.64
CDH2D09BNP-100M□	L	10 \pm 20%	588(470)	0.48	0.47
CDH2D09BNP-150M□	M	15 \pm 20%	956(765)	0.38	0.39
CDH2D09BNP-220M□	P	22 \pm 20%	1313(1050)	0.31	0.34

※ Description of part name

CDH2D09BNP-2R4M□

- B Box
- C Carrier Tape

※1.Saturation Current: The DC current at which the inductance decreases to 75%(CDH2D09/S) or 70%(CDH2D09B) of its nominal value.

 ※2.Temperature rise current: The DC current at which the temperature rise is $\Delta t=40^{\circ}\text{C}$ ($T_a=20^{\circ}\text{C}$).