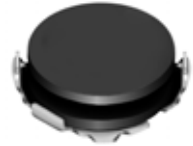
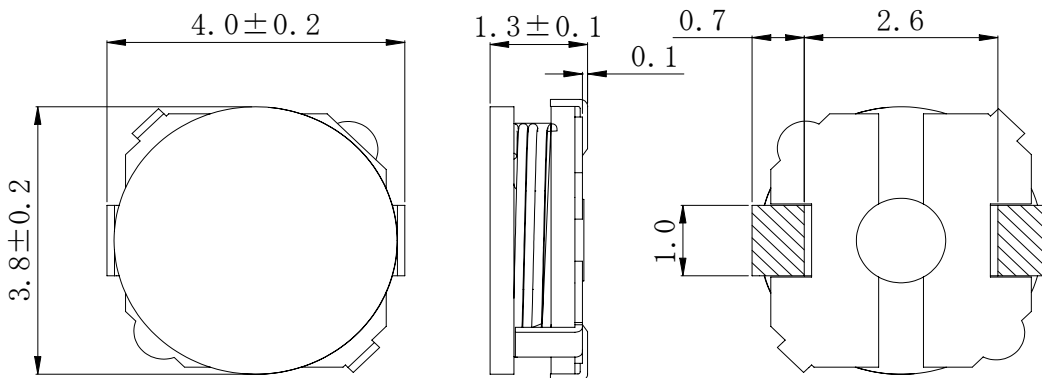


Type: CDH3D13/S, CDH3D13/SHP
◆ Product Description

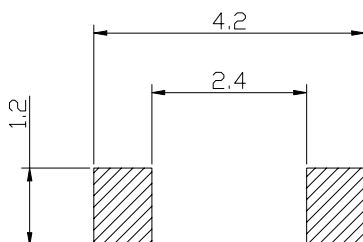
- 4.2×4.0mm Max.(L×W),1.4mm Max. Height.
- Inductance Range: 1.2~22 μ H
- Rated current range:0.45~1.85A(CDH3D13/S), 0.60~2.40A(CDH3D13/SHP)
- In addition to the standard versions of inductors shown here, custom inductors are available to meet your exact requirements.


◆ Feature

- Magnetically unshielded construction.
- Ideally used in Mobilephone,PDA,MP3,DSC/DVC,Portable DVD,etc as DC-DC Converter inductors.
- RoHS Compliance.

◆ Dimensions (mm)


Electrode

◆ Land Pattern (mm)


Type: CDH3D13/S, CDH3D13/SHP
◆ Specification(CDH3D13/S)

Part Name ※	Stamp	Inductance (μ H) 100kHz/1V	D.C.R.(m Ω) Max.(Typ.) (at 20°C)	Saturation Current (A) ※1		Temperature Rise current (A) ※2
				(20°C)	(100°C)	
CDH3D13SNP-1R2M□	1R2	1.2 \pm 20%	75(60)	1.85	1.70	2.55
CDH3D13SNP-1R5M□	1R5	1.5 \pm 20%	88(70)	1.60	1.45	2.30
CDH3D13SNP-2R5M□	2R5	2.5 \pm 20%	122(97)	1.40	1.15	1.85
CDH3D13SNP-3R6M□	3R6	3.6 \pm 20%	150(120)	1.25	1.00	1.65
CDH3D13SNP-4R7M□	4R7	4.7 \pm 20%	175(140)	1.15	0.85	1.40
CDH3D13SNP-7R0M□	7R0	7.0 \pm 20%	250(200)	0.95	0.75	1.30
CDH3D13SNP-100M□	100	10.0 \pm 20%	340(270)	0.80	0.65	1.00
CDH3D13SNP-120M□	120	12.0 \pm 20%	440(350)	0.60	0.55	0.95
CDH3D13SNP-150M□	150	15.0 \pm 20%	550(440)	0.55	0.50	0.90
CDH3D13SNP-220M□	220	22.0 \pm 20%	815(650)	0.45	0.40	0.73

◆ Specification(CDH3D13/SHP)

Part Name ※	Stamp	Inductance (μ H) 100kHz/1V	D.C.R.(m Ω) Max.(Typ.) (20°C)	Saturation Current (A) ※1		Temperature Rise current (A) ※2
				(20°C)	(100°C)	
CDH3D13SHPNP-1R2M□	1R2	1.2 \pm 20%	88(70)	2.60	2.20	2.40
CDH3D13SHPNP-1R5M□	1R5	1.5 \pm 20%	100(80)	2.30	1.95	2.20
CDH3D13SHPNP-2R5M□	2R5	2.5 \pm 20%	125(100)	1.80	1.55	1.80
CDH3D13SHPNP-3R6M□	3R6	3.6 \pm 20%	156(125)	1.55	1.35	1.60
CDH3D13SHPNP-4R7M□	4R7	4.7 \pm 20%	181(145)	1.30	1.20	1.50
CDH3D13SHPNP-6R8M□	6R8	6.8 \pm 20%	275(220)	1.10	0.95	1.30
CDH3D13SHPNP-100M□	100	10.0 \pm 20%	375(300)	0.90	0.80	0.95
CDH3D13SHPNP-120M□	120	12.0 \pm 20%	469(375)	0.85	0.75	0.90
CDH3D13SHPNP-150M□	150	15.0 \pm 20%	569(455)	0.75	0.67	0.85
CDH3D13SHPNP-220M□	220	22.0 \pm 20%	856(685)	0.60	0.58	0.72

※ Description of part name

CDH3D13SHPNP-1R2M□

- B Box
- C Carrier Tape

※1.Saturation Current: The DC current at which the inductance decreases to 90% of it's nominal value.

※2.Temperature rise current: The DC current at which the temperature rise is $\Delta t=40^{\circ}\text{C}$.($T_a=20^{\circ}\text{C}$)