

H G F E D C B A

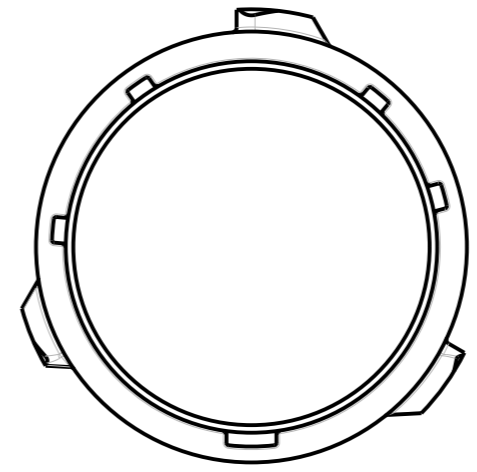
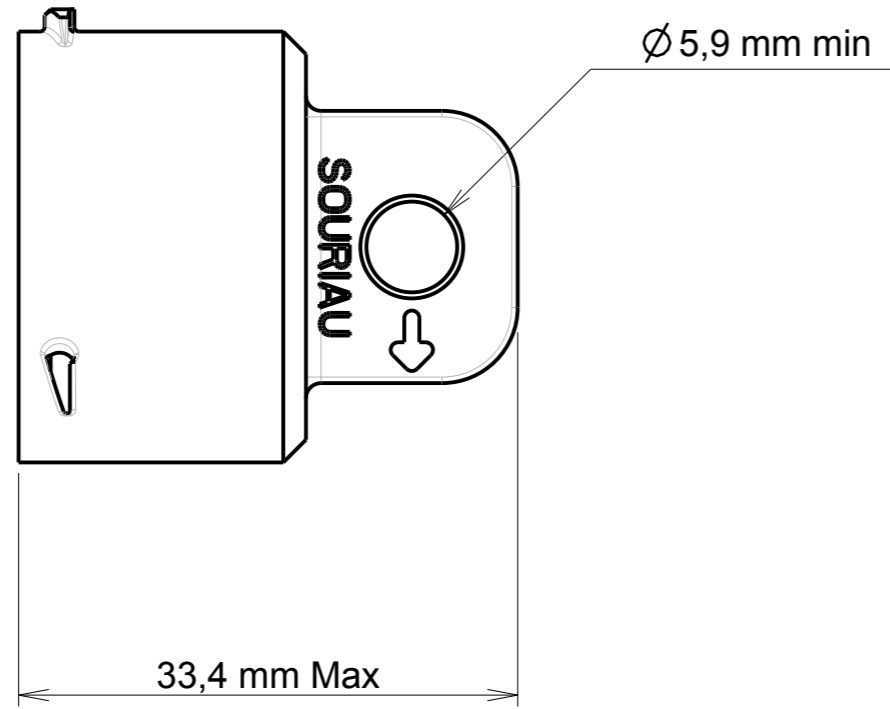
a:0 ;RL

4

3

2

1



ECHELLE 1/1

PACKAGING :
 - 1 cap per plastic bag
 - Label with SOURIAU code on every bags

MATERIAL :
 - Thermoplastic

P/N		UTS618DCG2		
a	05/07/13	-- -- -- CREATION		22753F
ISS	DATE	Latest modification - by: M.SORLIN		MOD N°
Designed by: M.SORLIN		Date: 03/07/13	Type of drawing: CUSTOMER	
Checked by: SEE DISTRIBUTION LIST		Date: SEE DISTRIBUTION LIST		
TITLE		Cap for plug UTS Size 18 UNITBOX		
Scale	General angular	MATERIAL Thermoplastic		
2/1	Tolerances: ± 1°	--		
	General linear	General machining surface texture	Ra 3.2	Geometrical Tolerances See NF EN ISO 1101
	Tolerances : ±0.1			PROJECT IC123609
		SOURIAU Route Nationale 23 72470 CHAMPAGNE Tel. (33)02.43.54.35.00		This document is the property of SOURIAU It must not be reproduced or communicated without permission
FORMAT	DRAWING REFERENCE			SHEET
A3	UTS618DCG2-C01			1 / 1

H G F E D C B A