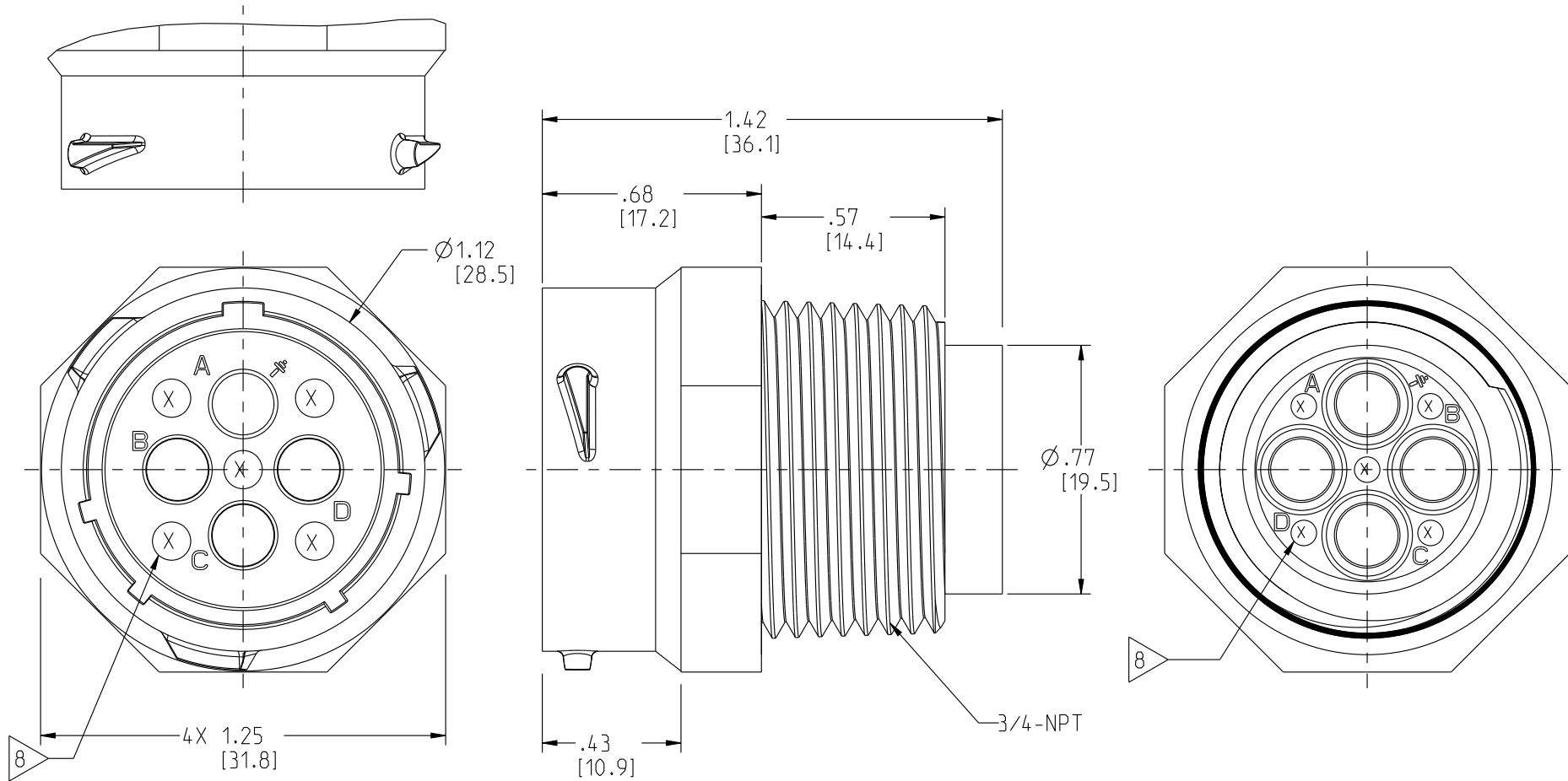


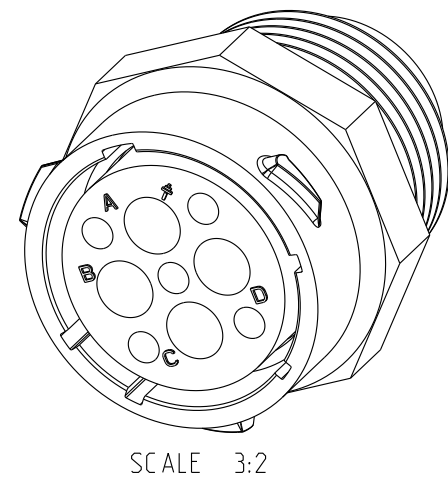
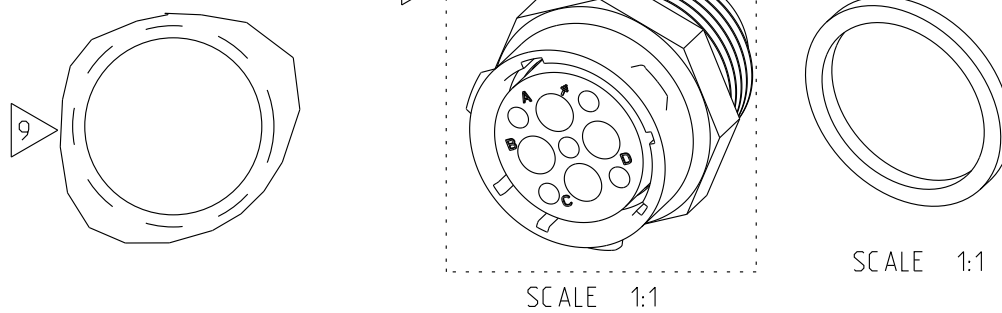
DWG. NO.  
S99455

THIS DRAWING IS A CONTROLLED DOCUMENT FOR SOURIAU USA, INC. IT IS SUBJECT TO CHANGE WITHOUT NOTIFICATION. CONTACT THE DOCUMENT CONTROL CENTER FOR THE LATEST REVISION.



NOTES:

1. MATES WITH UTS6\_ \_183G1P.
2. USES 1-TO-4 EA. SIZE-8 SOCKET (CONTACTS ORDERED SEPARATELY) CONTACT TYPE: 829116\_ \_ \_ \_ : REFER TO SOURIAU BSD202333002.
3. MATERIALS:
  - 3.1 HOUSING: POLYAMIDE UL94V0, COLOR-BLACK.
  - 3.2 ALL MATERIALS ARE RoHS COMPLIANT.
4. MECHANICAL PERFORMANCE:
  - 4.1 OPERATING TEMPERATURE: -40°C TO +105°C.
  - 4.2 CORROSION: SALT SPRAY, 500 HOURS.
  - 4.3 DURABILITY: 250 MATE-UNMATE CYCLES.
  - 4.4 SEALING: WHEN MATED TO CABLE PLUG (NOTE-1):  
IEC 60529-IP68: 10m WATER, 1-WEEK;  
-IP69K: HIGH-PRESSURE WATER, DIN 40050.
  - 4.5 TYPICAL INSTALLATION: OUTLET BOX.  
RECOMMENDED TOOLS: 8-POINT 1 1/4 SOCKET; MAX. TORQUE 66 in.-lb.
5. ELECTRICAL PERFORMANCE:
  - 5.1 DIELECTRIC WITHSTANDING VOLTAGE / INSULATION RESISTANCE.  
2200 Vrms MAX. BETWEEN CIRCUITS / 5000 MOhm MIN. @ 500 VDC.
  - 5.2 OPERATING VOLTAGE: 600 VAC MAX.
  - 5.3 CIRCUIT USE:  
B,C,D: 44 AMP MAX.  
A: GROUND: FIRST MATE LAST BREAK.
6. PACKAGING:  
RUBBER WASHER IS BULK-PACKAGED.  
LABEL INCLUDES SOURIAU P/N & QTY.
7. UL1977 RECOGNIZED.
8. MOLDING "VOID CORES" ARE INDICATED "X".
9. PANEL CUTOUT IF APPLICABLE: TAP DRILL 59/64 OR .922 INCH (23.42mm) 3/4-NPT INTERNAL THREAD.
10. UNITED STATES PATENT 7,955,125



Client Drawing Approval	
X	Option
	Authorized Signature & Date
	Approved with no Exceptions
	Approved with Exceptions Noted
	Revision/Resubmission Required
	Rejected
	Company Name
The signature above indicates the client's authorized representative has reviewed, understands, and concurs with the requirements defined herein. If no signature is provided, placement of a purchase order by the client is considered drawing acceptance.	

LINEAR MEASURE:	$\frac{\text{INCH}}{\text{mm}}$ INCH [mm]
THIRD ANGLE PROJECTION	
TOLERANCES UNLESS OTHERWISE SPECIFIED	
No. OF PLACES	INCH [mm]
ONE PLACE	$\pm .1$ [ $\pm 3$ ]
TWO PLACES	$\pm 0.02$ [ $\pm .5$ ]
THREE PLACES	$\pm 0.010$ [ $\pm .25$ ]
ANGLES $\pm 1^\circ$	

REV	DESCRIPTION	BY DATE	CHKD DATE
D	REVISED PER ECN 11721	RSK 05-16-12	NPP 05-16-12
C	REVISED PER ECN 11550	SSF 11-03-11	NPP 11-03-11
B	REVISED PER ECN 11483	RSK 08-11-11	NPP 08-11-11
A	RELEASED PER ECN 11441	SSF 5/23/2011	NPP 5/23/2011

DRAWING TITLE	
<b>UTS RECEPTACLE, SIZE-18, NPT-3/4</b>	
CAT NO.	<b>UTS7183G1SNPT</b>
CAGE NO: 09922	SIZE: B
<b>CUSTOMER</b>	
INTERPRET THIS DRAWING IN ACCORDANCE WITH ASME Y14.5M - 1994.	<a href="http://www.souriau.com">www.souriau.com</a>
APPROVAL	DRAWN: NP 4/19/10 CHKD : - - DSGN : NP 4/19/10 MFG : DH 4/19/10 QC : BB 4/19/10 DRAWING SCALE: 2:1 DRAWING NO. REV S99455 D 1 OF 1

THE INFORMATION CONTAINED IN THIS DRAWING IS CONFIDENTIAL AND MAY NOT BE DISCLOSED WITHOUT WRITTEN CONSENT FROM SOURIAU USA, INC.