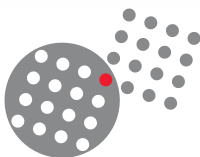


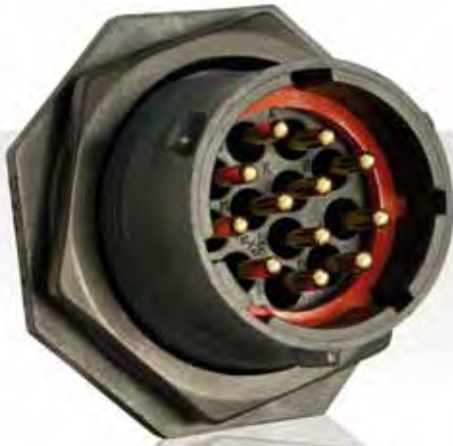


UTS Series

Dynamic IP68/69K • UV Resistant • UL/IEC Compliant



SOURIAU



Contents

Overview

| | |
|---|----|
| How to read our catalogue | 06 |
| UTS range overview | 07 |
| General technical characteristics | 10 |

Mechanics

| | |
|---------------------------|-----|
| Cable assembly..... | 14 |
| 2 contacts | 20 |
| 2 + ground contacts | 28 |
| 3 contacts | 36 |
| 3 + ground contacts | 52 |
| 4 contacts | 60 |
| 5 contacts | 72 |
| 6 contacts | 76 |
| 6 + ground contacts | 88 |
| 7 contacts | 92 |
| 8 contacts | 96 |
| 10 contacts | 104 |
| 12 contacts | 108 |
| 14 contacts | 116 |
| 15 contacts | 120 |
| 18 contacts | 124 |
| 19 contacts | 128 |
| 23 contacts | 132 |
| 32 contacts | 136 |

Contacts

| | |
|--------------------------------------|-----|
| Description | 142 |
| Contact plating selector guide | 143 |
| Contact selector guide | 144 |
| Packaging | 144 |
| Crimp contacts | 145 |
| #16 coaxial contacts | 147 |
| PCB contacts | 148 |
| Fibre optic contacts | 149 |

Technical information

| | |
|--|-----|
| Tooling | 154 |
| Assembly instruction | 156 |
| Dimensions overmoulded harnesses | 162 |
| Extraction tools | 162 |
| Rated current & working voltage | 163 |
| UV resistance | 164 |
| UL94 + UL1977 | 165 |
| IEC 61984 with IP code explanation | 168 |
| What is NEMA rating ? | 170 |
| Ethernet for the layman | 171 |

Appendices

| | |
|--|-----|
| #16 coaxial contacts - cabling notices | 176 |
| Glossary of terms | 183 |
| Discrimination/Keying methods | 184 |
| Part number Index..... | 185 |



UNIT'S Series

UTS Series

Overview

- How to read our catalog 06
- UTS range overview 07
- General technical characteristics 10



UTS Series

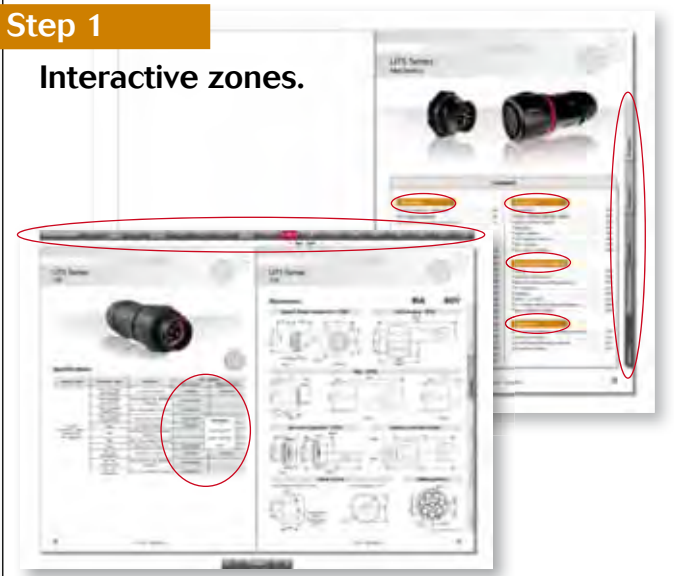
Overview



SOURIAU is pleased to announce the arrival of a brand new catalog containing some significant improvements to simplify the connector selection process and provide easy access to key information. In this version you can see all layouts at a glance, download 2D drawings and 3D models. Then, when your choice is made, you can click on the part number and buy online.

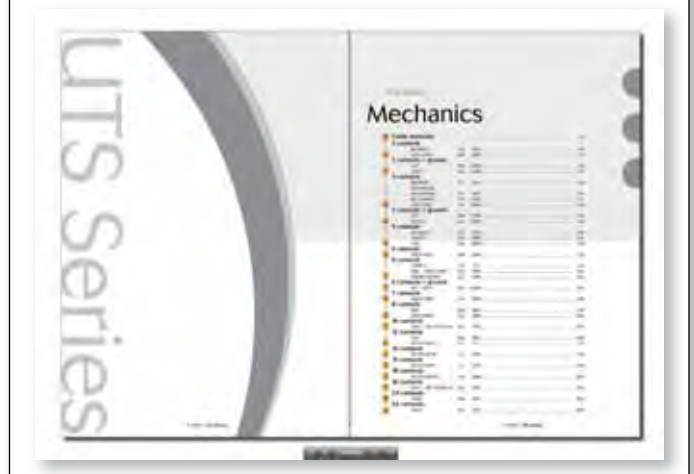
Step 1

Interactive zones.



Step 2

Clearer understanding of the range.



Step 3

Easy access to supporting material such as prints and CAD models. In just two pages you can gather together details of all accessories, contacts, tools etc required for your application.





UTS range overview

The UTS series is a plastic connector range but rugged enough to withstand industrial applications.

The bayonet coupling system makes it simple to use. With only a 1/3 twist of the coupling ring, connectors are mated with an audible and sensitive "click".



UTS series is a wide range...

Based on multiple power & signal connectors and offers everything from box mounted receptacles and cable mounted plugs to cable mounted in-line and PCB mounted receptacles. Almost all ways to accommodate wires exist: Crimp, Solder, Screw termination.



Screw termination version

The philosophy of the UTS series is built around three key elements:

Dynamic IP68/69K



UTS series is rated at IP68/69K... even in dynamic conditions. This means that it remain sealed even when used continuously underwater or cleaned using a high pressure hose and cable is moving.

This extreme level of performance is achievable with jacketed cable or discrete wires.

If this same level of performance is required even when connectors are not mated, we have UTS Hi Seal; a product designed to remain watertight if an environmental cap is not fitted or if the equipment is likely to get wet when cables have been disconnected.

UV Resistant



In most applications, our connectors are exposed to extreme climatic conditions; it was therefore key for us to select the materials best able to cope with the targeted environment.

Part of our product qualification process involved subjecting connectors to a simulated five years of exposure to various elements including Temperature, UV and Humidity.

The results were positive in that there were no visible signs of weakness, such as cracking or crazing.

UL/IEC Compliant



The outmost priority for any electrical installation is to protect personnel from any shock hazard.

In North America, Underwriters Laboratories insisted that connector manufacturers, depending of the application, respect their standards. The UTS series had thus been qualified and is certified by this organisation.

In Europe and in Asia, IEC standards are better known and trusted by end users. Like its American equivalent, the IEC refers to safety rules. The UTS series was obviously designed to respect these rules.

UTS Series Overview



UTS range

UTS discrete wire sealing

See page 9

UTS Series



Sealed: IP68/69K
UV resistant
UL/IEC compliant

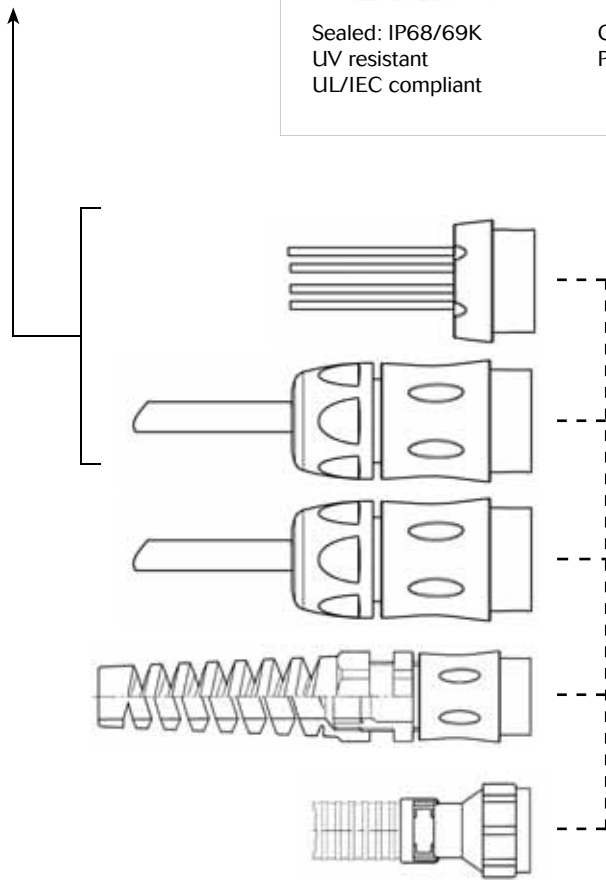
Corrosion-proof
Plastic housing

UTS screw termination



Just screw the wires to the connector !

No special tools required, use a standard screwdriver



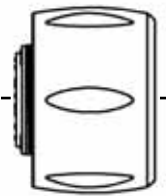
Crimp contact

- machined
- stamped and formed
- coaxial
- fibre optics



Screw termination contact

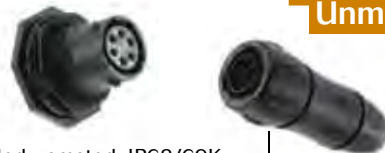
Solder contact



Plug

UTS Hi seal

Sealed Unmated



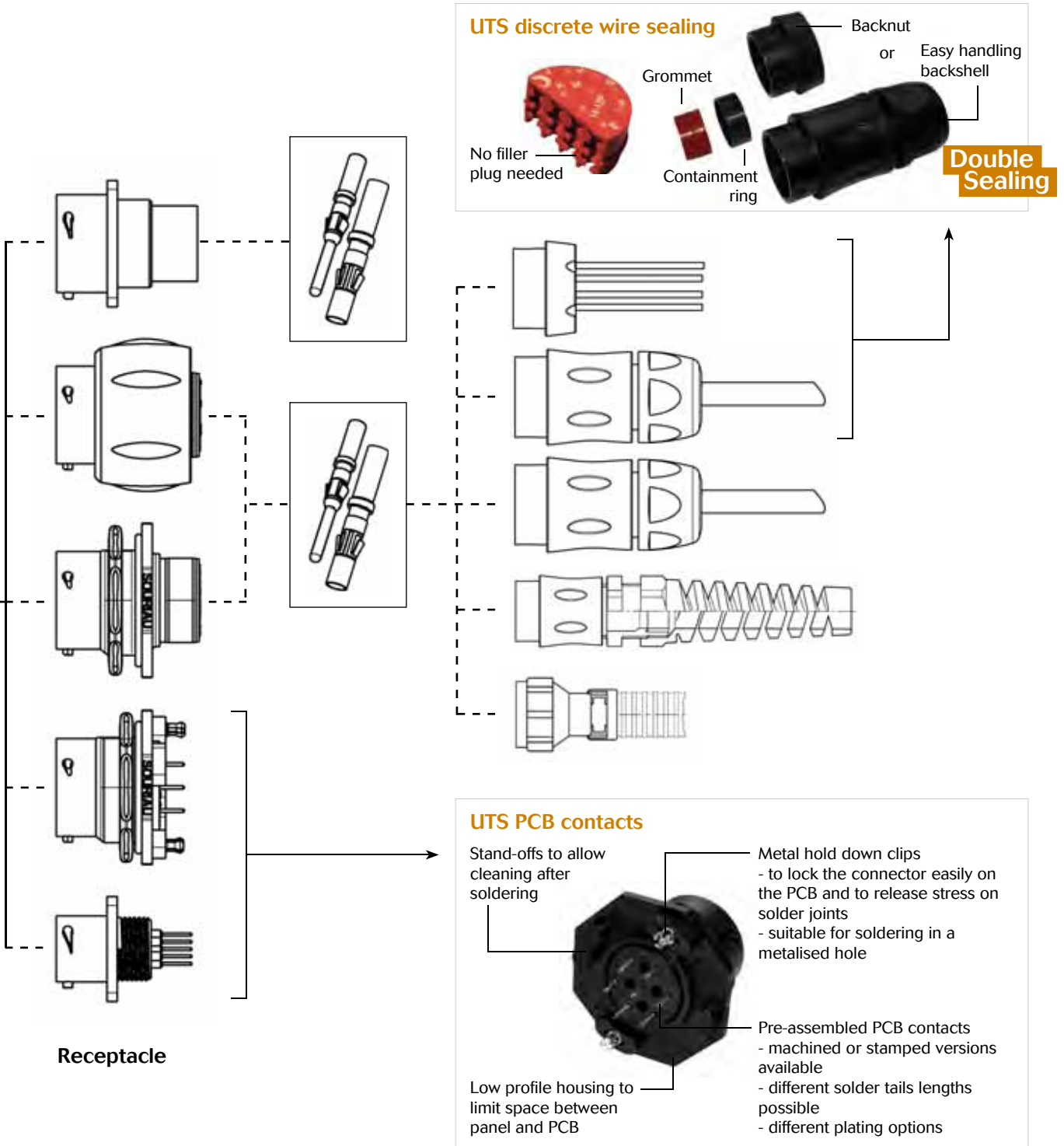
Sealed unmated: IP68/69K
MIL-C-26482 compatible
UV resistant
UL/IEC compliant

Corrosion-proof
Plastic housing

UTS Series Overview



overview





Mechanical

- Durability:
250 matings & unmatings per MIL-C-26482
- 1 • Vibration resistance (all UTS versions except UTS Screw termination contacts):
Sinusoidal vibrations per CEI 60512-4 - from 10 to 2000 Hz
- Thermal shock:
5 cycles 30 min. from -40°C to 105°C per MIL-STD1344 method 1003

Environmental

- 2 • Operating temperature:
from -40°C to +105°C
40/100/21 per NFF 61-030
- Flammability rating:
UL94-V0 (all UTS except the Hi seal) - see page 165
UL94-HB (UTS Hi seal only) - see page 165
I2F3 according to NFF 16101 and NFF 16102
- 3 • Salt spray:
≥500 hours
- 4 • UV resistant:
No mechanical degradation or important variation of colour after 5 years of exposure in natural environment (equivalence exposure to sun and moisture as per ISO4892)
- 5 • Sealing:
 - UTS Standard: IP68/IP69K (mated)
 - UTS Hi seal: IP68/IP69K (mated and unmated)
 - UTS Discrete wire sealing: IP67/69K (up to IP68 with easy handling backshell)
 - UTS Screw termination contacts: IP68/IP69KNote: IPx8: 10m underwater during 1 week
- Fluid resistance:
 - Gasoil
 - Mineral oil
 - Acid bath
 - Basic bath





characteristics



Electrical

- See each layout page

Material

- Body connector + Backshell:
Thermoplastic
- Insert:
 - UTS Standard, UTS Discrete wire sealing, UTS Screw termination contacts:
Thermoplastic
 - UTS Hi seal handsolder & UTS Hi seal with PC tails contacts:
Elastomer
- Contacts:
See page 140
- Nut:
Metal
- Halogen free
- RoHS compliant & conform to the Chinese standard SJ/T1166-2006 (Chinese RoHS equivalent)
- In accordance with:
 - UL 1977:
Certificat ECBT2
File number: E169916
 - CSA C22.2 n°182.3:
Certificat ECBT8
File number: E169916





UNIT'S Series

Mechanics

| | | | | |
|----------------------------|-----|------|--|-----|
| Cable assembly | | | | 14 |
| 2 contacts | | | | |
| 8E2/8D2: | 7A | 32V | | 20 |
| 12E2/12D2: | 16A | 150V | | 24 |
| 2 contacts + ground | | | | |
| 103: | 16A | 300V | | 28 |
| 142G1: | 40A | 300V | | 32 |
| 3 contacts | | | | |
| 8E3/8D3: | 7A | 32V | | 36 |
| 8E3A/8E98 | | | | |
| 8D3A/8D98: | 7A | 50V | | 40 |
| 8E33/8D3.: | 7A | 50V | | 44 |
| 12E3/12D3: | 16A | 150V | | 48 |
| 3 contacts + ground | | | | |
| 124 - 12E4/12D4: | 16A | 300V | | 52 |
| 183G1: | 32A | 300V | | 56 |
| 4 contacts | | | | |
| 8E4/8D4: | 7A | 32V | | 60 |
| 102W2: | 25A | 150V | | 64 |
| 104: | 13A | 150V | | 68 |
| 5 contacts | | | | |
| 14E5/14D5: | 16A | 150V | | 72 |
| 6 contacts | | | | |
| 103W3: | 5A | 32V | | 76 |
| 106 - 10E6/10D6: | 7A | 32V | | 80 |
| 10E98/10D98: | 7A | 50V | | 84 |
| 6 contacts + ground | | | | |
| 147 - 14E7: | 16A | 300V | | 88 |
| 7 contacts | | | | |
| 10E7/10D7: | 7A | 50V | | 92 |
| 8 contacts | | | | |
| 128: | 10A | 80V | | 96 |
| 12E8/12D8: | 6A | 32V | | 100 |
| 10 contacts | | | | |
| 1210 - 12E10/12D10: | 6A | 50V | | 104 |
| 12 contacts | | | | |
| 1412: | 10A | 63V | | 108 |
| 14E12/14D12: | 4A | 50V | | 112 |
| 14 contacts | | | | |
| 12E14/12D14: | 5A | 32V | | 116 |
| 15 contacts | | | | |
| 14E15/14D15: | 4A | 50V | | 120 |
| 18 contacts | | | | |
| 14E18/14D18: | 5A | 50V | | 124 |
| 19 contacts | | | | |
| 1419 - 14E19/14D19: | 5A | 32V | | 128 |
| 23 contacts | | | | |
| 1823: | 9A | 63V | | 132 |
| 32 contacts | | | | |
| 1832: | 4A | 32V | | 136 |

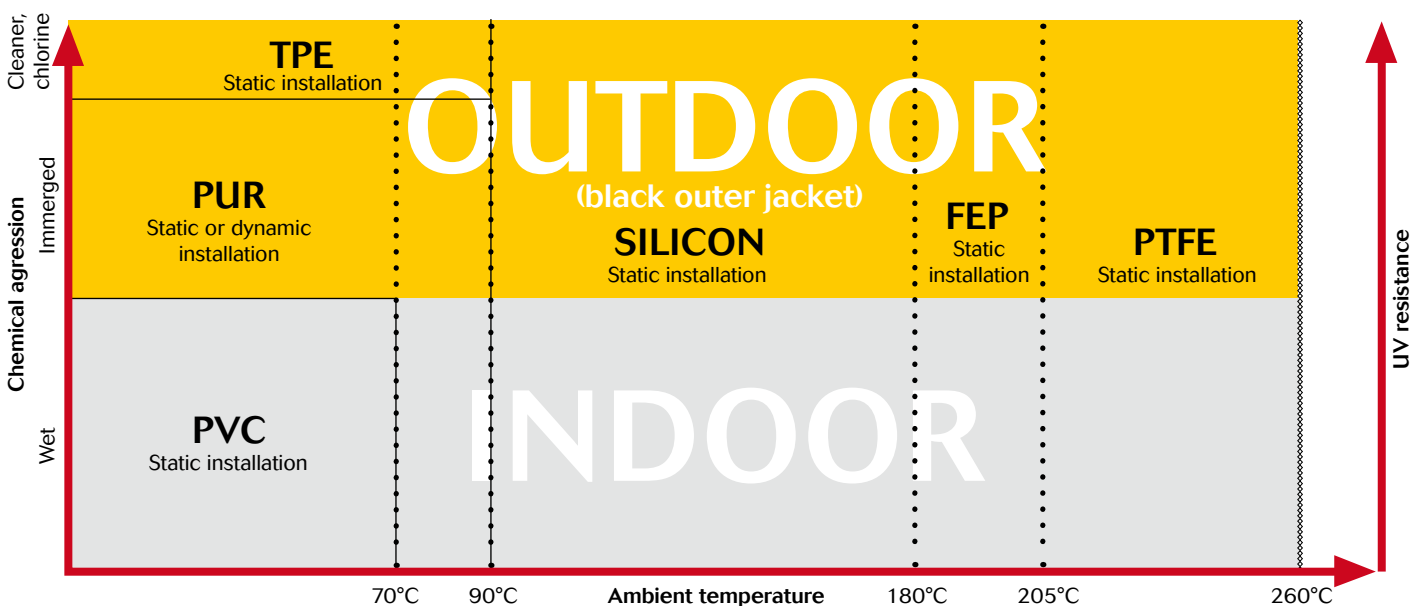


Cable assembly

Souriau provides connectors in various applications for more than 90 years in the most extreme environment. Being conscious about the difficulty to find a quick and a reliable harness manufacturer, we decided years ago to start in house cable assembly production. It allows customers to reduce the number of suppliers, and to take advantage of the "best in class" quality of the Souriau group. Overmoulding is a process that further enhances the sealing properties of the UTS range, especially over many years of use. Overmoulding provides the opportunity to change the cable exit from straight through 90 degrees and avoid any stress on the cable terminated to the connector. Also, as the wires are encapsulated inside the moulding, a barrier is created which prevents from any liquid from entering the equipment through the connector if the cable jacket is breached.

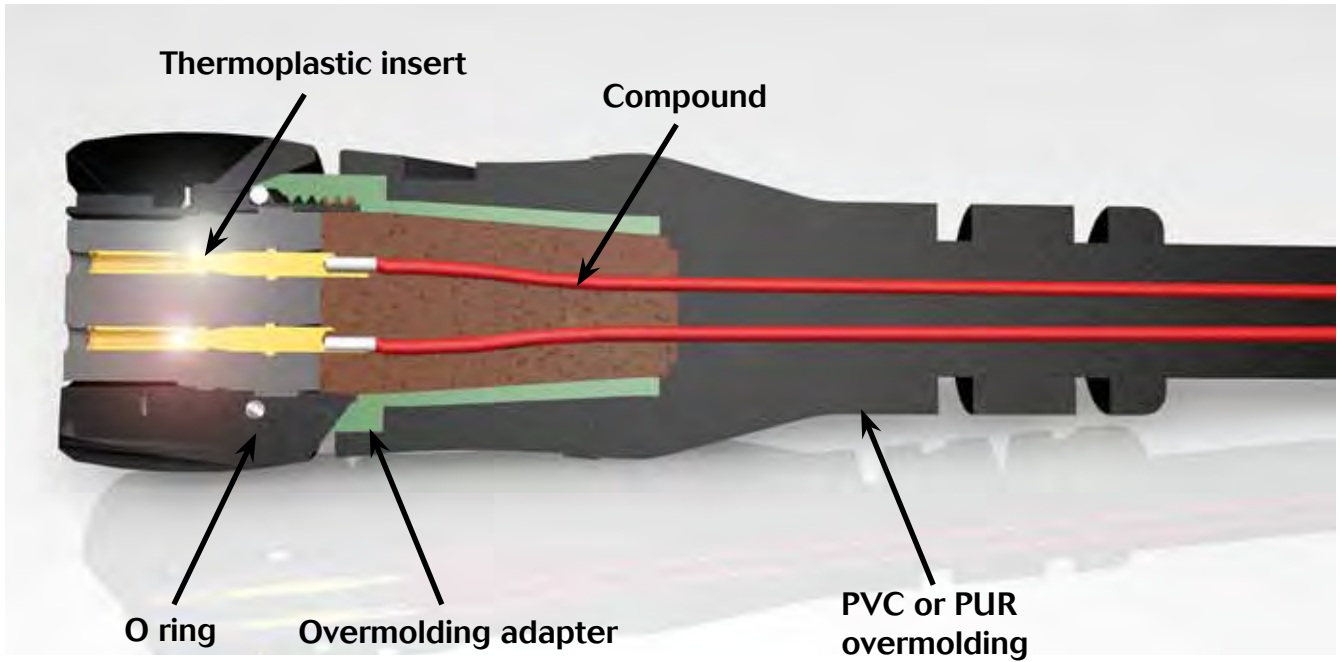


How to choose the outer jacket material





Overmolding description



Discrete connector



Overmoulded connector





Harnesses

Overmoulded harnesses, straight ending



| Connector type | Number of ways | Voltage | Current UL | Current IEC | Harmonised cable part number* | Part number (length: 1 m.) | |
|----------------|----------------|---------|------------|-------------|-------------------------------|----------------------------|---------------------|
| | | | | | | Male | Female |
| UTS standard | 2+PE | 600 V | 44 A | 40 A | HO5 VV - F 3Gg10 | HAUTSOV142G1PST100 | HAUTSOV142G1SST100 |
| | 2+PE | 500 V | 10 A | 16 A | HO5 VV - F 3x1.5 | HAUTSOV103PST100 | HAUTSOV103SST100 |
| | 3+PE | 500 V | 10 A | 16 A | HO5 VV - F 3G1.5 | HAUTSOV103PEPST100 | HAUTSOV103PESST100 |
| | 3+PE | 250 V | 24 A | 32 A | HO5 VV - F 40G0.5 | HAUTSOV183G1PST100 | HAUTSOV183G1SST100 |
| | 3+PE | 500 V | 10 A | 16 A | HO5 VV - F 4G1.5 | HAUTSOV124PEPST100 | HAUTSOV124PESST100 |
| | 4 | 500 V | 10 A | 13 A | HO5 VV - F 4x1.5 | HAUTSOV104PST100 | HAUTSOV104SST100 |
| | 3 | 500 V | 10 A | 5 A | HO5 VV - F 7G0.5 | HAUTSOV103W3PST100 | HAUTSOV103W3SST100 |
| | 6 | 250 V | 5 A | 7 A | HO5 VV - F 7x0.5 | HAUTSOV106PST100 | HAUTSOV106SST100 |
| | 6+PE | 500 V | 10 A | 16 A | HO5 VV - F 7G1.5 | HAUTSOV147PEPST100 | HAUTSOV147PESST100 |
| | 8 | 500 V | 10 A | 10 A | HO5 VV - F 8x1.5 | HAUTSOV128PST100 | HAUTSOV128SST100 |
| | 10 | 250 V | 5 A | 6 A | HO5 VV - F 10G0.5 | HAUTSOV1210PST100 | HAUTSOV1210SST100 |
| | 12 | 500 V | 10 A | 10 A | HO5 VV - F 12x1.5 | HAUTSOV1412PST100 | HAUTSOV1412SST100 |
| | 19 | 250 V | 5 A | 5 A | HO5 VV - F 21G0.5 | HAUTSOV1419PST100 | HAUTSOV1419SST100 |
| | 23 | 500 V | 10 A | 9 A | HO5 VV - F 25G1.5 | HAUTSOV1823PST100 | HAUTSOV1823SST100 |
| | 32 | 250 V | 5 A | 4 A | HO5 VV - F 40G0.5 | HAUTSOV1832PST100 | HAUTSOV1832SST100 |
| UTS Hi seal | 2 | 250 V | 7 A | 7 A | HO5 VV - F 2x0.5 | HAUTSOV8E2PST100 | HAUTSOV8E2SST100 |
| | 2 | 650 V | 13 A | 16 A | HO5 VV - F 2x1.5 | HAUTSOV12E2PST100 | HAUTSOV12E2SST100 |
| | 3 | 250 V | 7 A | 7 A | HO5 VV - F 3x0.5 | HAUTSOV8E3PST100 | HAUTSOV8E3SST100 |
| | 3 | 250 V | 7 A | 7 A | HO5 VV - F 3x0.5 | HAUTSOV8E3APST100 | HAUTSOV8E3ASST100 |
| | 3 | 250 V | 7 A | 7 A | HO5 VV - F 3x0.5 | HAUTSOV8E33PST100 | HAUTSOV8E33SST100 |
| | 3 | 650 V | 13 A | 16 A | HO5 VV - F 3x1.5 | HAUTSOV12E3PST100 | HAUTSOV12E3SST100 |
| | 4 | 250 V | 7 A | 7 A | HO5 VV - F 4x0.5 | HAUTSOV8E4PST100 | HAUTSOV8E4SST100 |
| | 5 | 650 V | 12 A | 16 A | HO5 VV - F 4G1.5 | HAUTSOV14E5PST100 | HAUTSOV14E5SST100 |
| | 6 | 250 V | 5 A | 7 A | HO5 VV - F 7x0.5 | HAUTSOV10E6PST100 | HAUTSOV10E6SST100 |
| | 6 | 250 V | 6 A | 7 A | HO5 VV - F 7x0.5 | HAUTSOV10E98PST100 | HAUTSOV10E98SST100 |
| | 6+PE | 500 V | 10 A | 16 A | HO5 VV - F 7G1.5 | HAUTSOV14E7PEPST100 | HAUTSOV14E7PESST100 |
| | 7 | 250 V | 6 A | 7 A | HO5 VV - F 7x0.5 | HAUTSOV10E7PST100 | HAUTSOV10E7SST100 |
| | 8 | 250 V | 5 A | 6 A | HO5 VV - F 10G0.5 | HAUTSOV12E8PST100 | HAUTSOV12E8SST100 |
| | 10 | 250 V | 5 A | 6 A | HO5 VV - F 10G0.5 | HAUTSOV12E10PST100 | HAUTSOV12E10SST100 |
| | 12 | 250 V | 5 A | 4 A | HO5 VV - F 12G0.5 | HAUTSOV14E12PST100 | HAUTSOV14E12SST100 |
| | 14 | 250 V | 5 A | 5 A | HO5 VV - F 14G0.5 | HAUTSOV12E14PST100 | HAUTSOV12E14SST100 |
| | 15 | 650 V | 12 A | 4 A | HO5 VV - F 18G0.5 | HAUTSOV14E15PST100 | HAUTSOV14E15SST100 |
| | 18 | 250 V | 4 A | 4 A | HO5 VV - F 18G0.5 | HAUTSOV14E18PST100 | HAUTSOV14E18SST100 |
| | 19 | 250 V | 4 A | 5 A | HO5 VV - F 40G0.5 | HAUTSOV14E19PST100 | HAUTSOV14E19SST100 |

* see page 18

3 m & 5 m version available on demand

Eg: 3m HAUTSOV. . . 300

5m HAUTSOV. . . 500



Harnesses

Overmoulded harnesses, right angle ending



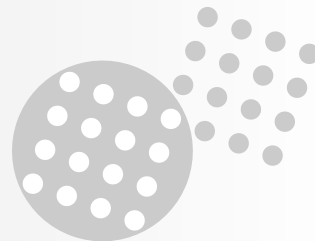
| Connector type | Number of ways | Voltage | Current UL | Current IEC | Harmonised cable part number* | Part number (length: 1 m.) | |
|----------------|----------------|---------|------------|-------------------|-------------------------------|----------------------------|---------------------|
| | | | | | | Male | Female |
| UTS standard | 2+PE | 600 V | 44 A | 40 A | HO5 VV - F 3Gg10 | HAUTSOV142G1PRA100 | HAUTSOV142G1SRA100 |
| | 2+PE | 500 V | 10 A | 16 A | HO5 VV - F 3x1.5 | HAUTSOV103PRA100 | HAUTSOV103SRA100 |
| | 3+PE | 500 V | 10 A | 16 A | HO5 VV - F 3G1.5 | HAUTSOV183G1PRA100 | HAUTSOV183G1SRA100 |
| | 3+PE | 250 V | 24 A | 32 A | HO5 VV - F 40G0.5 | HAUTSOV183G1PRA100 | HAUTSOV183G1SRA100 |
| | 3+PE | 500 V | 10 A | 16 A | HO5 VV - F 4G1.5 | HAUTSOV124PEPRA100 | HAUTSOV124PESRA100 |
| | 4 | 500 V | 10 A | 13 A | HO5 VV - F 4x1.5 | HAUTSOV104PRA100 | HAUTSOV104SRA100 |
| | 3 | 500 V | 10 A | 5 A | HO5 VV - F 7G0.5 | HAUTSOV103W3PRA100 | HAUTSOV103W3SRA100 |
| | 6 | 250 V | 5 A | 7 A | HO5 VV - F 7x0.5 | HAUTSOV106PRA100 | HAUTSOV106SRA100 |
| | 6+PE | 500 V | 10 A | 16 A | HO5 VV - F 7G1.5 | HAUTSOV147PEPRA100 | HAUTSOV147PESRA100 |
| | 8 | 500 V | 10 A | 10 A | HO5 VV - F 8x1.5 | HAUTSOV128PRA100 | HAUTSOV128SRA100 |
| | 10 | 250 V | 5 A | 6 A | HO5 VV - F 10G0.5 | HAUTSOV1210PRA100 | HAUTSOV1210SRA100 |
| | 12 | 500 V | 10 A | 10 A | HO5 VV - F 12x1.5 | HAUTSOV1412PRA100 | HAUTSOV1412SRA100 |
| | 19 | 250 V | 5 A | 5 A | HO5 VV - F 21G0.5 | HAUTSOV1419PRA100 | HAUTSOV1419SRA100 |
| | 23 | 500 V | 10 A | 9 A | HO5 VV - F 25G1.5 | HAUTSOV1823PRA100 | HAUTSOV1823SRA100 |
| 32 | 250 V | 5 A | 4 A | HO5 VV - F 40G0.5 | HAUTSOV1832PRA100 | HAUTSOV1832SRA100 | |
| UTS Hi seal | 2 | 250 V | 7 A | 7 A | HO5 VV - F 2x0.5 | HAUTSOV8E2PRA100 | HAUTSOV8E2SRA100 |
| | 2 | 650 V | 13 A | 16 A | HO5 VV - F 2x1.5 | HAUTSOV12E2PRA100 | HAUTSOV12E2SRA100 |
| | 3 | 250 V | 7 A | 7 A | HO5 VV - F 3x0.5 | HAUTSOV8E3PRA100 | HAUTSOV8E3SRA100 |
| | 3 | 250 V | 7 A | 7 A | HO5 VV - F 3x0.5 | HAUTSOV8E3APRA100 | HAUTSOV8E3ASRA100 |
| | 3 | 250 V | 7 A | 7 A | HO5 VV - F 3x0.5 | HAUTSOV8E33PRA100 | HAUTSOV8E33SRA100 |
| | 3 | 650 V | 13 A | 16 A | HO5 VV - F 3x1.5 | HAUTSOV12E3PRA100 | HAUTSOV12E3SRA100 |
| | 4 | 250 V | 7 A | 7 A | HO5 VV - F 4x0.5 | HAUTSOV8E4PRA100 | HAUTSOV8E4SRA100 |
| | 5 | 650 V | 12 A | 16 A | HO5 VV - F 4G1.5 | HAUTSOV14E5PRA100 | HAUTSOV14E5SRA100 |
| | 6 | 250 V | 5 A | 7 A | HO5 VV - F 7x0.5 | HAUTSOV10E6PRA100 | HAUTSOV10E6SRA100 |
| | 6 | 250 V | 6 A | 7 A | HO5 VV - F 7x0.5 | HAUTSOV10E98PRA100 | HAUTSOV10E98SRA100 |
| | 6+PE | 500 V | 10 A | 16 A | HO5 VV - F 7G1.5 | HAUTSOV14E7PEPRA100 | HAUTSOV14E7PESRA100 |
| | 7 | 250 V | 6 A | 7 A | HO5 VV - F 7x0.5 | HAUTSOV10E7PRA100 | HAUTSOV10E7SRA100 |
| | 8 | 250 V | 5 A | 6 A | HO5 VV - F 10G0.5 | HAUTSOV12E8PRA100 | HAUTSOV12E8SRA100 |
| | 10 | 250 V | 5 A | 6 A | HO5 VV - F 10G0.5 | HAUTSOV12E10PRA100 | HAUTSOV12E10SRA100 |
| | 12 | 250 V | 5 A | 4 A | HO5 VV - F 12G0.5 | HAUTSOV14E12PRA100 | HAUTSOV14E12SRA100 |
| | 14 | 250 V | 5 A | 5 A | HO5 VV - F 14G0.5 | HAUTSOV12E14PRA100 | HAUTSOV12E14SRA100 |
| | 15 | 650 V | 12 A | 4 A | HO5 VV - F 18G0.5 | HAUTSOV14E15PRA100 | HAUTSOV14E15SRA100 |
| 18 | 250 V | 4 A | 4 A | HO5 VV - F 18G0.5 | HAUTSOV14E18PRA100 | HAUTSOV14E18SRA100 | |
| 19 | 250 V | 4 A | 5 A | HO5 VV - F 40G0.5 | HAUTSOV14E19PRA100 | HAUTSOV14E19SRA100 | |

* see page 18

3 m & 5 m version available on demand

Eg: 3m HAUTSOV. . . 300

5m HAUTSOV. . . 500

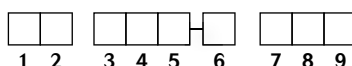


Cable information

| | |
|------------------------------|--|
| Range of temperature: | Occasional flexing: -5°C up to +70°C Fixed installation: -40°C up to +80°C |
| Rated voltage: | U0/U: 300/500 V |
| Wire section : | Arrangement with #16 contact: wire section 1.5 mm ² Arrangement with #20 contact: wire section 0.5 mm ² |
| Harmonized reference: | H05 VVF XX |

Standardization of European cable - DIN VDE 0281/DIN VDE 0282/DIN VDE 0292

Harmonized wire coding system



| 1. Basic type | 2. Working voltage | 3. Insulating | 4. Sheath-cladding material | 5. Special features | 6. Conductor types | 7. Number of conductors | 8. Protective conductor | 9. Conductor cross-sectional |
|-----------------------|--------------------|-----------------------|-------------------------------|--------------------------------|---|-------------------------|------------------------------------|-----------------------------------|
| H: Harmonized Type | 03: 300/300 V. | V: PVC | V: PVC | H: Ribbon cable, separable | U: Single wire | | X: Without protective conductor | Area specified in mm ² |
| A: National Type | 05: 300/500 V. | R: Rubber | R: Rubber | H2: Ribbon cable non-separable | R: Multi-wire | | G: With protective conductor | |
| | 07: 450/750 V. | S: Silicone Rubber | N: Cloroprene Rubber | | K: Fine wire (permanently installed) | | | |
| | | | J: Glass-filament braiding | | F: Fine wire (flexible) | | | |
| | | | T: Textile braiding | | H: Super fine wire | | | |
| | | | | | Y: Tinsel strand | | | |

Example: Harmonized type, 300/500V, PVC insulating, PVC sheath-cladding, Fine wire, 3x1.5 cross-sectional: H05VVF3x1.5



Standardization of American cable

Nomenclature Key

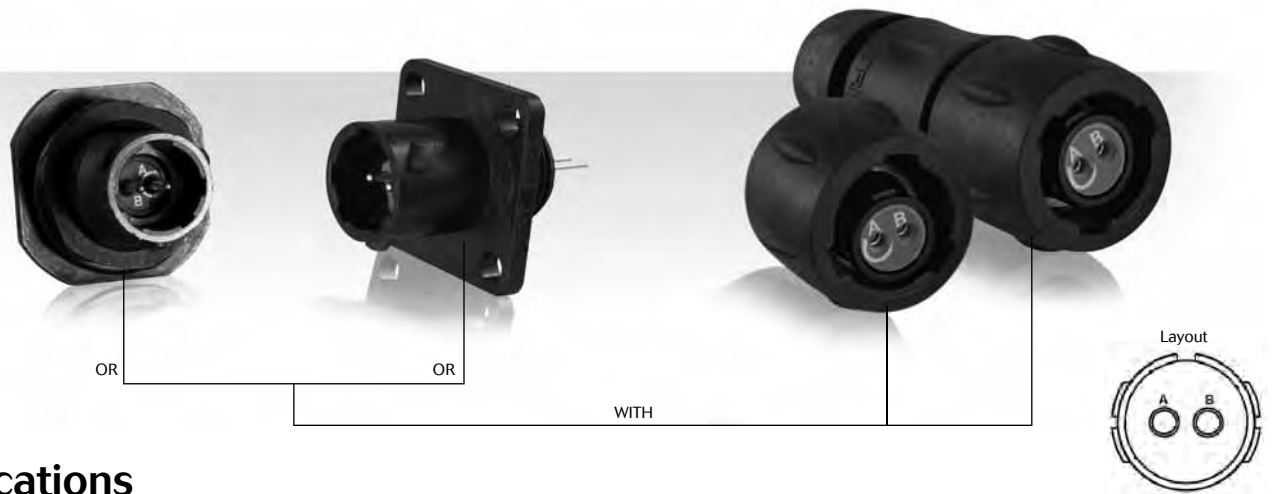
| | |
|--------------|---|
| S: | Service Grade (also means extra hard service when not followed by J, V, or P) |
| J: | Hard Service |
| V: | Vacuum cleaner cord (also light duty cable) |
| P: | Parallel cord (also known as zip cord) – Always light duty |
| E: | Thermoplastic Elastomer (UL/NEC designation ONLY) |
| O: | Oil Resistant* |
| T: | Thermoplastic |
| W: | Outdoor-includes sunlight resistant jacket and wet location rated conductors (formerly "W-A") |
| H: | Heater cable |
| VW-1: | Flame retardant |
| FT2: | Flame retardant |

Definitions of Cable Types

| | |
|---------------|--|
| SVT: | Thermoplastic insulated vacuum cleaner cord, with or without 3rd conductor for grounding purposes; 300V. (PVC) |
| SJT: | Junior hard service, thermoplastic insulated conductors and jacket. 300V. (PVC) |
| SJTW: | Same as SJT except outdoor rated. (PVC) |
| SJTO: | Same as SJT but oil resistant outer jacket. (PVC) |
| SJTOW: | Same as SJTO except outdoor rated. (PVC) |
| ST: | Hard service cord with all thermoplastic construction, 600V. (PVC) |
| STW: | Same as ST except outdoor rated. (PVC) |
| STO: | Same as ST but with oil resistant outer jacket. (PVC) |
| STOW: | Same as STO except outdoor rated. (PVC) |

UTS Series

8E2/8D2



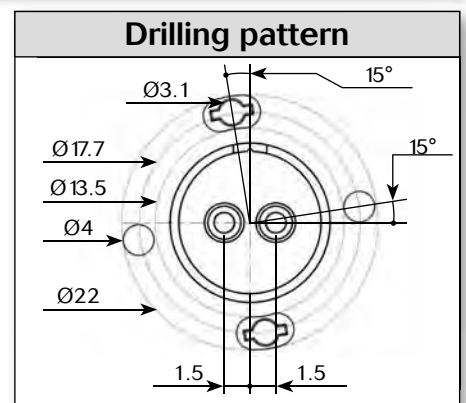
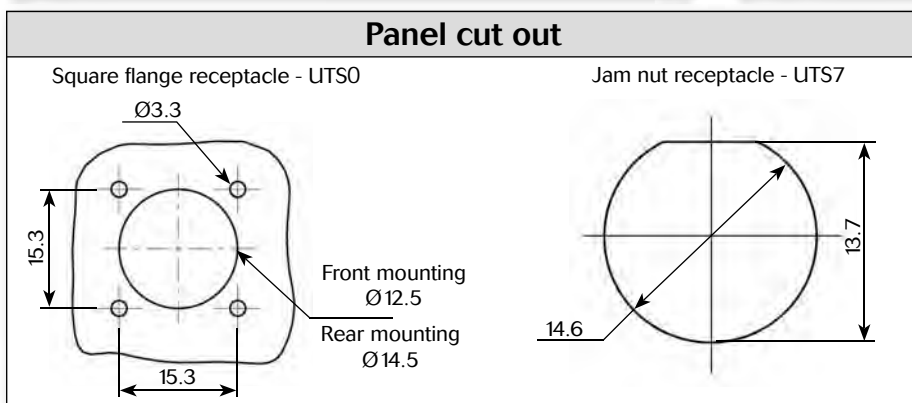
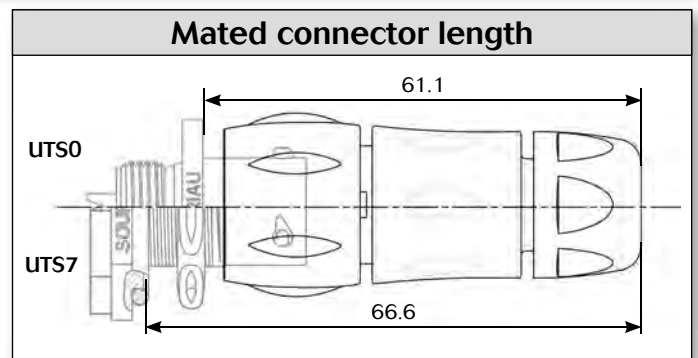
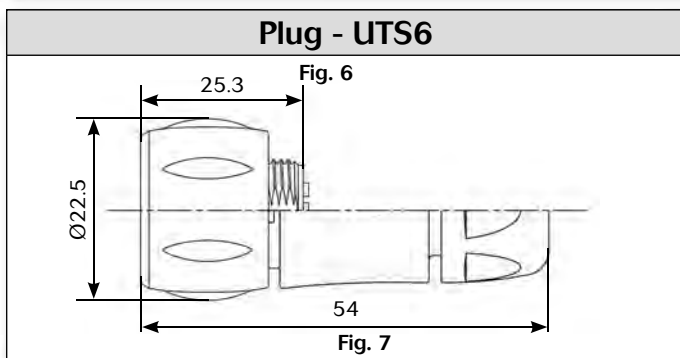
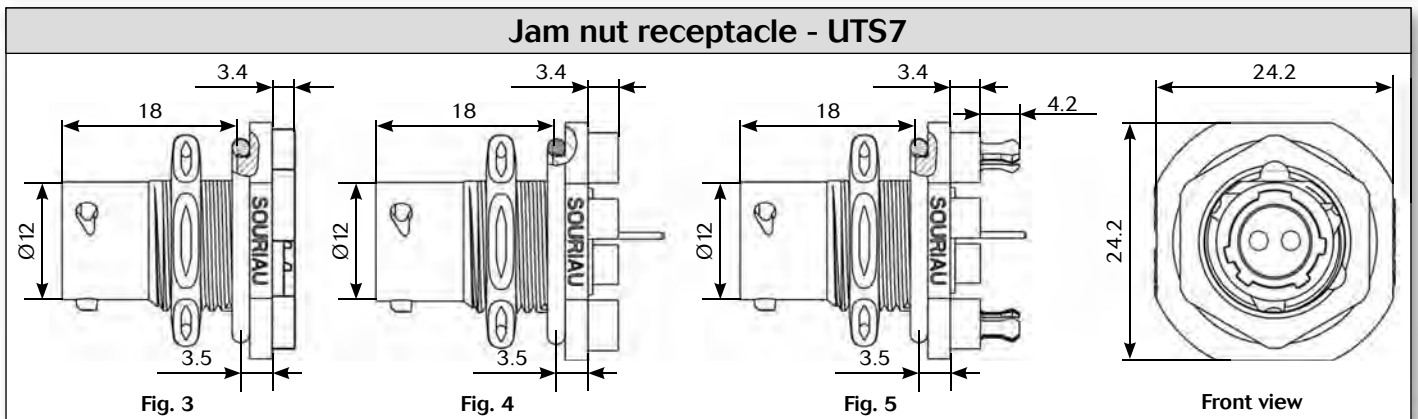
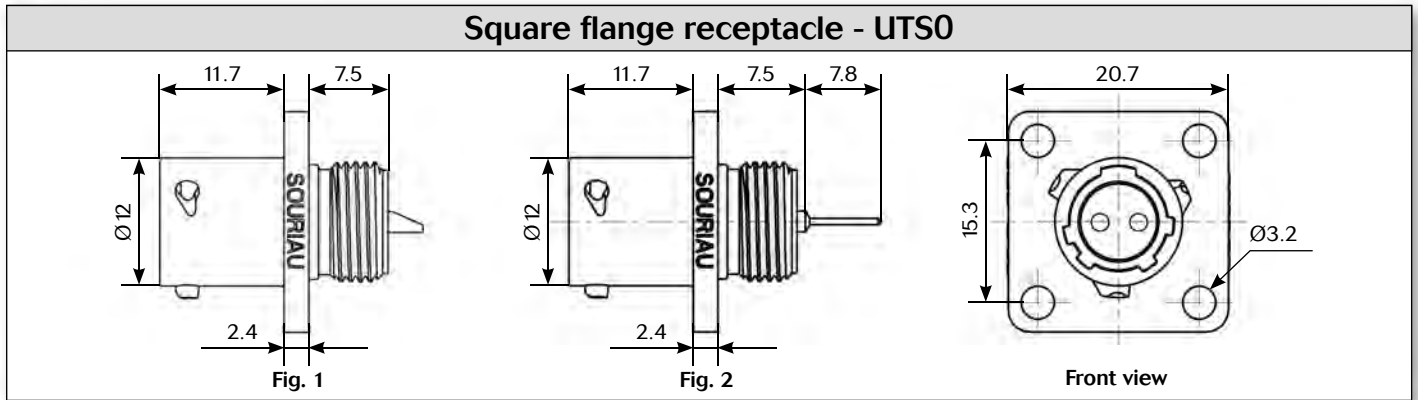
Specifications

| Contact type | Connector type | Backshell | Part number | |
|--|--|---------------------|-------------|---------------|
| | | | Male insert | Female insert |
| Hand solder electrical contacts loaded | Square flange receptacle | Without (Fig.1) | UTS08E2P | UTS08E2S |
| | Plug | Without (Fig.6) | UTS68E2P | UTS68E2S |
| | | Cable gland (Fig.7) | UTS6JC8E2P | UTS6JC8E2S |
| | Jam nut receptacle | Without (Fig.3) | UTS78E2P | UTS78E2S |
| PCB contacts loaded | Square flange receptacle | Without (Fig.2) | UTS08D2P | UTS08D2S |
| | Jam nut receptacle with stand off and with hold down clips | Without (Fig.5) | UTS78D2P32 | UTS78D2S32 |
| | Jam nut receptacle with stand off and without hold down clip | Without (Fig.4) | UTS78D2P | UTS78D2S |

Sealed unsealed



Dimensions



Note: all dimensions are in mm



Accessories

Jam nut sealing caps

| | |
|-------------|-------------|
| Part number | Part number |
| UTS8DCG | UTS8DCGR |

Metal terminal

Square flange sealing cap

| |
|-------------|
| Part number |
| UTS8DCGE |

Metal terminal

Plug protective cap

| |
|-------------|
| Part number |
| UTS68C |

IP40

Plastic protective cap

| Part numbers | |
|----------------|----------|
| Receptacle cap | Plug cap |
| 85005585A | 85005594 |

Gasket

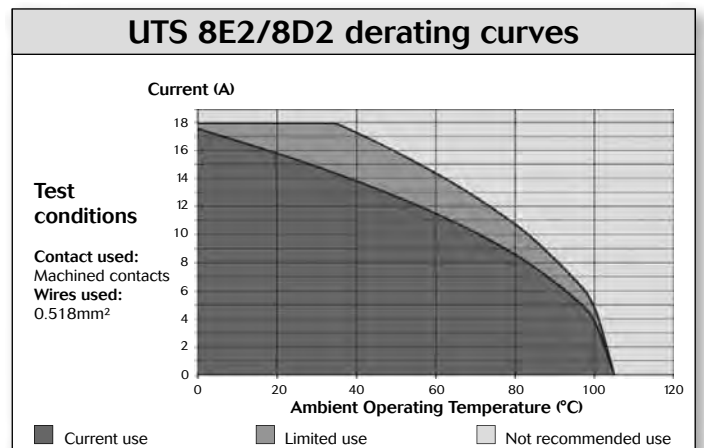
| |
|-------------------------|
| Part numbers / neoprene |
| UTFD11B |

Electrical characteristics

UL
7A 250V UL94 HB

CSA
7A 250V UL94 HB

IEC
7A 32V 1.5kV 3



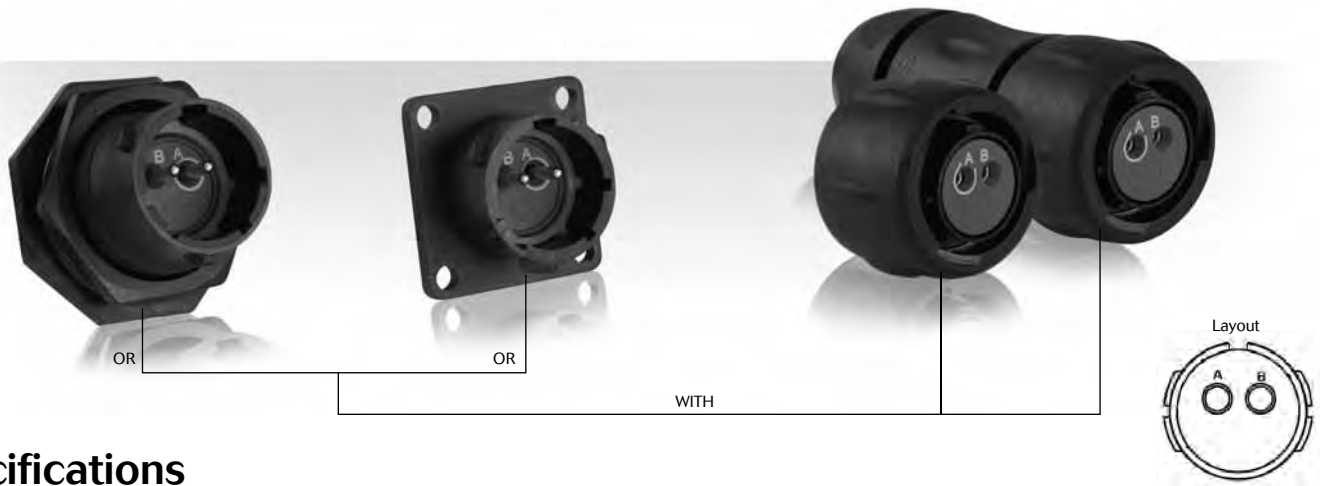
UTS Series

8E2/8D2



UTS Series

12E2/12D2



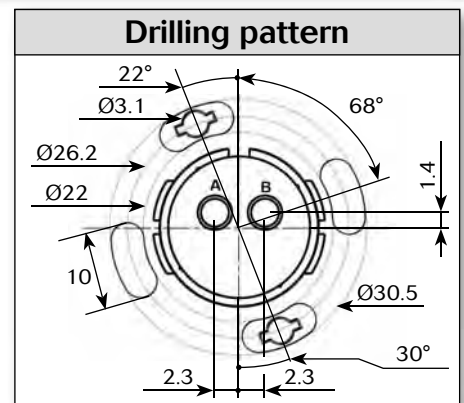
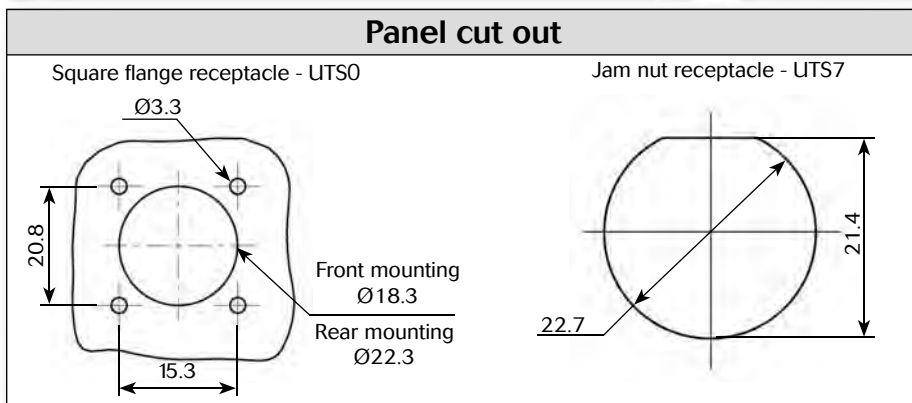
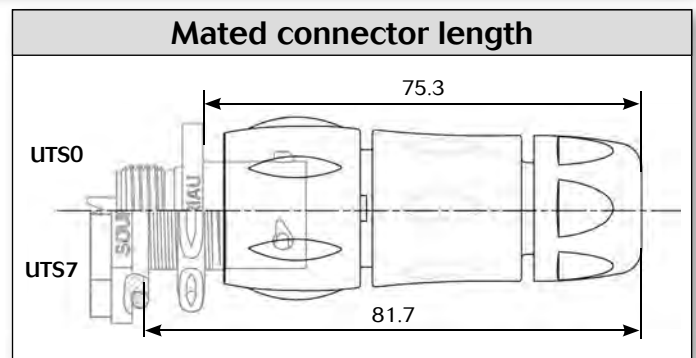
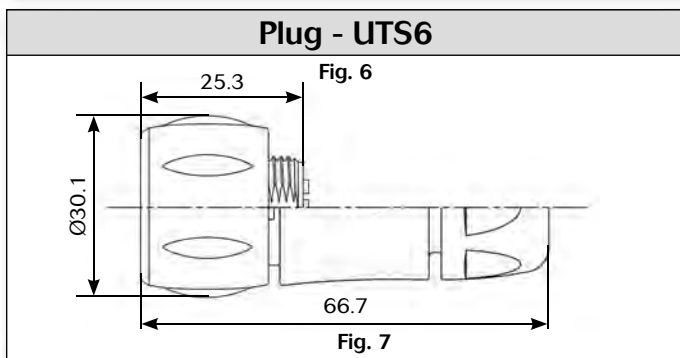
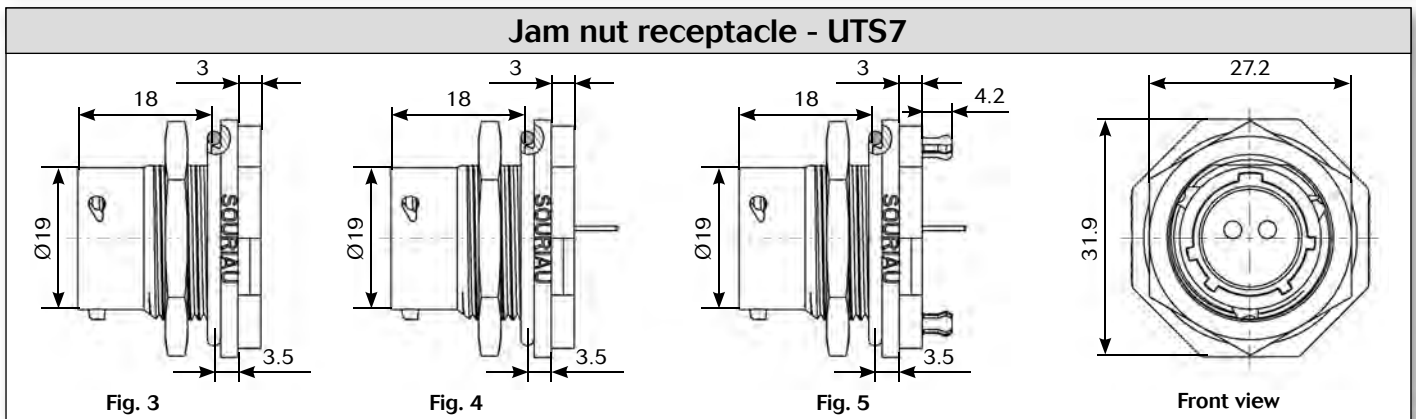
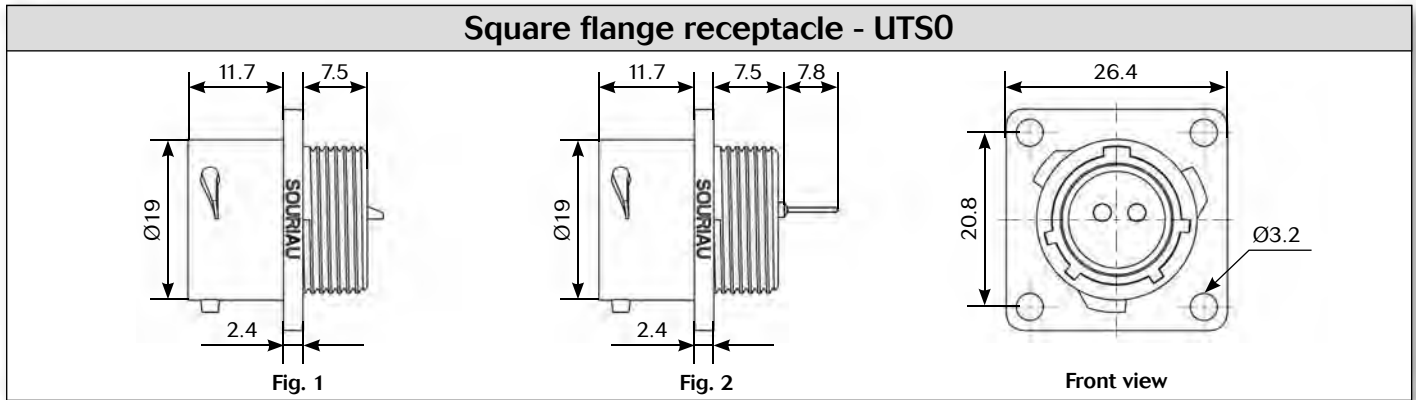
Specifications

| Contact type | Connector type | Backshell | Part number | |
|--|--|---------------------|-------------|---------------|
| | | | Male insert | Female insert |
| Hand solder electrical contacts loaded | Square flange receptacle | Without (Fig.1) | UTS012E2P | UTS012E2S |
| | Plug | Without (Fig.6) | UTS612E2P | UTS612E2S |
| | | Cable gland (Fig.7) | UTS6JC12E2P | UTS6JC12E2S |
| | Jam nut receptacle | Without (Fig.3) | UTS712E2P | UTS712E2S |
| PCB contacts loaded | Square flange receptacle | Without (Fig.2) | UTS012D2P | UTS012D2S |
| | Jam nut receptacle with stand off and with hold down clips | Without (Fig.5) | UTS712D2P32 | UTS712D2S32 |
| | Jam nut receptacle with stand off and without hold down clip | Without (Fig.4) | UTS712D2P | UTS712D2S |

Sealed unmatred



Dimensions



Note: all dimensions are in mm



Accessories

Jam nut sealing caps

Metal terminal

| |
|-------------|
| Part number |
| UTS12DCG |

| |
|-------------|
| Part number |
| UTS12DCGR |

Plug sealing cap

| |
|-------------|
| Part number |
| UTS612DCG |

Square flange sealing cap

Metal terminal

| |
|-------------|
| Part number |
| UTS12DCGE |

Plastic protective cap

| Part numbers | |
|----------------|----------|
| Receptacle cap | Plug cap |
| 85005587A | 85005596 |

Gasket

| |
|-------------------------|
| Part numbers / neoprene |
| UTFD13B |

Color coding rings

G for Green
Y for Yellow
R for Red

| Part numbers | |
|--------------|------------|
| Receptacles | Plugs |
| UTS712CCR | UTS612CCR |
| UTS712CCRY | UTS612CCRY |
| UTS712CCRG | UTS612CCRG |

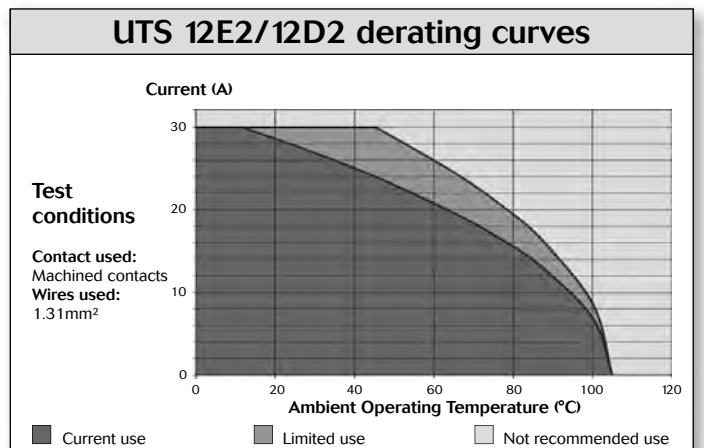
* Add G for Green, Y for Yellow, R for Red

Electrical characteristics

UL
13A 650V UL94 HB

CSA
13A 650V UL94 HB

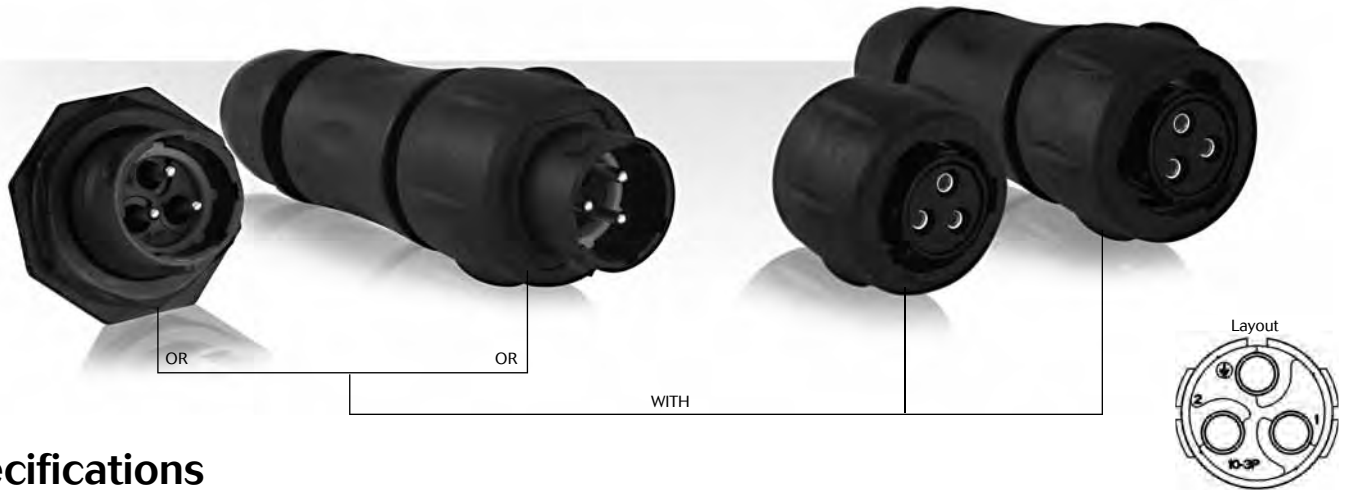
IEC
16A 150V 2.5kV 3



UTS Series

12E2/12D2



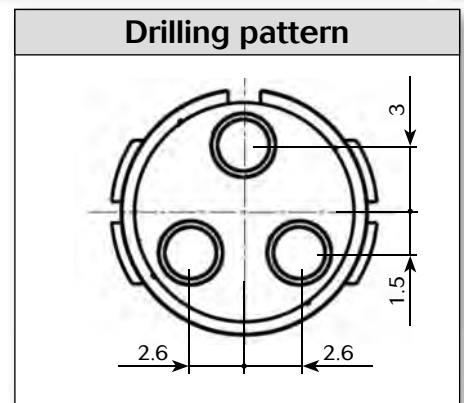
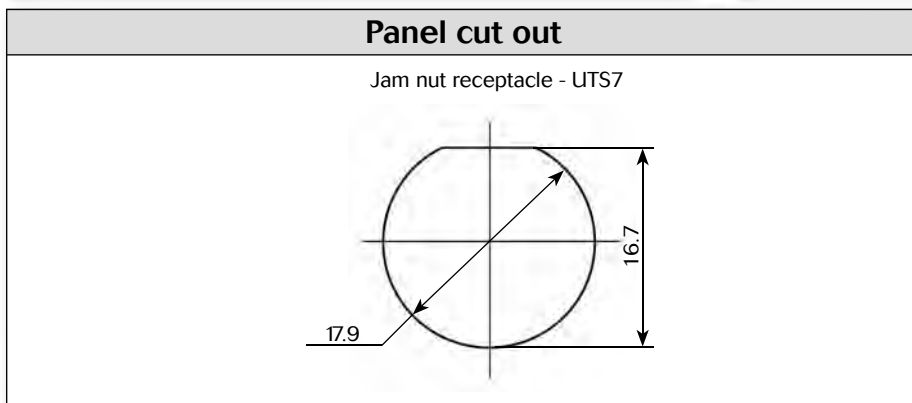
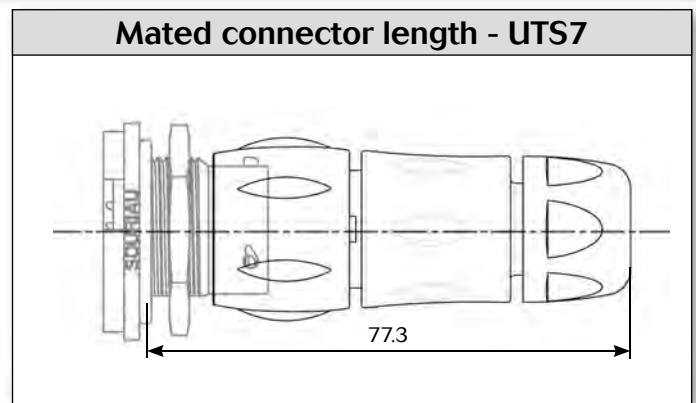
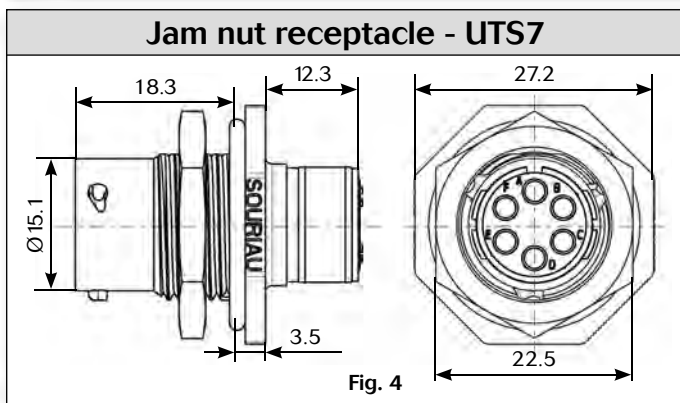
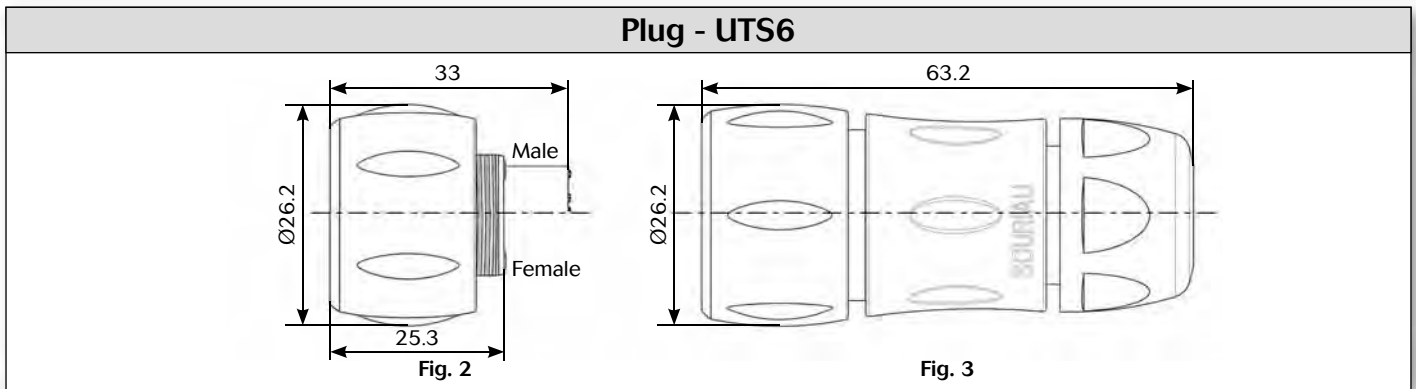
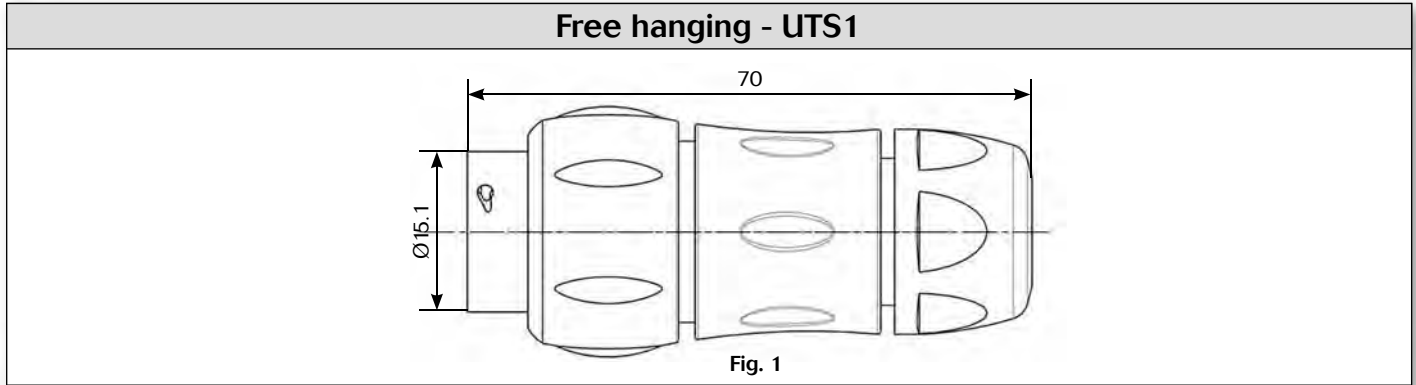


Specifications

| Contact type | Connector type | Backshell | Part number | |
|--|-------------------------|---------------------|-------------|---------------|
| | | | Male insert | Female insert |
| Crimp contacts supply separately see page 31 | Free hanging receptacle | Cable gland (Fig.1) | UTS1JC103P | UTS1JC103S |
| | | Without (Fig.2) | UTS6103P | UTS6103S |
| | Plug | Cable gland (Fig.3) | UTS6JC103P | UTS6JC103S |
| PCB contacts supply separately see page 31 | Jam nut receptacle | Without (Fig.4) | UTS7103P | UTS7103S |





Dimensions



Note: all dimensions are in mm




Accessories and tooling


| Jam nut sealing caps | |
|---|---|
|  |  |
| Part number | Part number |
| UTS10DCG | UTS10DCGR |

Metal terminal

| Handle |
|--|
|  |
| Part number |
| SHANGLES |


| Tool kit |
|---|
|  |
| Part number |
| TOOLKIT |




| Plug sealing cap |
|--|
|  |
| Part number |
| UTS610DCG |

| Crimp tooling | | | |
|---|-------------------------------------|---------------------|---------|
|  | | | |
| Contacts | Contact size | Part number of head | |
| RM/RC 28M1K ⁽¹⁾ | Standard contacts #16 Ø 1.6mm | S16RCM20 | |
| RM/RC 24M9K ⁽¹⁾ | | S16RCM20 | |
| RM/RC 20M13K ⁽¹⁾ | | S16RCM20 | |
| RM/RC 20M12K ⁽¹⁾ | | S16RCM20 | |
| RM/RC 16M23K ⁽¹⁾ | | S16RCM16 | |
| RM/RC 14M50K ⁽¹⁾ | | S16RCM1450 | |
| RM/RC 14M30K ⁽¹⁾ | | S16RCM14 | |
| SM/SC 24ML1TK6 ⁽¹⁾ | | S16SCM20 | |
| SM/SC 20ML1TK6 ⁽¹⁾ | | S16SCM20 | |
| SM/SC 16ML1TK6 ⁽¹⁾ | | S16SCML1 | |
| SM/SC 14ML1TK6 ⁽¹⁾ | | S16SCML1 | |
| SM/SC 16ML11TK6 ⁽¹⁾ | | S16SCML11 | |
| RMDXK10D28K | | Coaxial contacts | M10S-1J |
| RCDXK1D28K | | | M10S-1J |
| RM/RC DX60xxD28K | M10S-1J | | |
| RM/RC DXK10D28 + york090 | M10S-1J | | |
| RM/RC DX60xxD28 | | M10S-1J | |

(1): example of plating, for other plating see UTS catalog page 143

| Plastic protective cap | |
|---|----------|
|  | |
| Part numbers | |
| Receptacle cap | Plug cap |
| 85005586A | 85005595 |

| Gasket |
|---|
|  |
| Part numbers / neoprene |
| UTFD12B |

| Color coding rings | |
|--------------------|---|
| G for Green |  |
| Y for Yellow |  |
| R for Red |  |
| Part numbers | |
| Receptacles | Plugs |
| UTS710CCRR | UTS610CCRR |
| UTS710CCRY | UTS610CCRY |
| UTS710CCRG | UTS610CCRG |

* Add G for Green, Y for Yellow, R for Red



Contacts

| #16 | Contact type | AWG | Part number | | Max wire Ø | Max insulator Ø |
|-------------|---------------------------------------|------------------------------|------------------------------|-----------------------------|------------|-----------------|
| | | | Male | Female | | |
| Crimp | Machined | 30-28 | RM28M1K ⁽¹⁾ | RC28M1K ⁽¹⁾ | 0.55 | 1.1 |
| | | 26-24 | RM24M9K ⁽¹⁾ | RC24M9K ⁽¹⁾ | 0.8 | 1.6 |
| | | 22-20 | RM20M13K ⁽¹⁾ | RC20M13K ⁽¹⁾ | 1.18 | 1.8 |
| | | 22-20 | RM20M12K ⁽¹⁾ | RC20M12K ⁽¹⁾ | 1.18 | 2.2 |
| | | 20-16 | RM16M23K ⁽¹⁾ | RC16M23K ⁽¹⁾ | 1.8 | 3.2 |
| | | 16-14 | RM14M50K ⁽¹⁾ | RC14M50K ⁽¹⁾ | 2.05 | 3.2 |
| | | 16-14 | RM14M30K ⁽¹⁾ | RC14M30K ⁽¹⁾ | 2.28 | 3.2 |
| | Stamped & formed reeled contacts | 26-24 | SM24M1TK6 ⁽¹⁾⁽²⁾ | SC24M1TK6 ⁽¹⁾⁽²⁾ | 0.89-1.28 | - |
| | | 22-20 | SM20M1TK6 ⁽¹⁾⁽²⁾ | SC20M1TK6 ⁽¹⁾⁽²⁾ | 1.17-2.08 | - |
| | | 18-16 | SM16M1TK6 ⁽¹⁾⁽²⁾ | SC16M1TK6 ⁽¹⁾⁽²⁾ | 3.0 | - |
| 18-16 | | SM16M11TK6 ⁽¹⁾⁽²⁾ | SC16M11TK6 ⁽¹⁾⁽²⁾ | 2.0-3.0 | - | |
| 14 | | SM14M1TK6 ⁽¹⁾⁽²⁾ | SC14M1TK6 ⁽¹⁾⁽²⁾ | 3.2 | - | |
| PCB | Machined ⁽³⁾ | - | RM20M12E8K ⁽¹⁾ | RC20M12E84K ⁽¹⁾ | - | - |
| Coaxial | Cable Multipiece | - | RMDXK10D28 | RCDXK1D28 | - | - |
| | Cable Monocrimp | - | RMDX60xxD28 | RCDX60xxD28 | - | - |
| | Twisted pair Multipiece | - | RMDXK10D28 + york090 | RCDXK1D28 + york090 | - | - |
| | Twisted pair Monocrimp | - | RMDX60xxD28 | RCDX60xxD28 | - | - |
| Fiber optic | POF contacts Plastic optical fibre | - | RMPOF1000 | RCPOF1000B | - | - |

(1): Example of plating, for other plating see page 143
 (2): Loose piece contact available if putting L. Example: SM20ML1-TK6
 (3): For dimensions see page 148

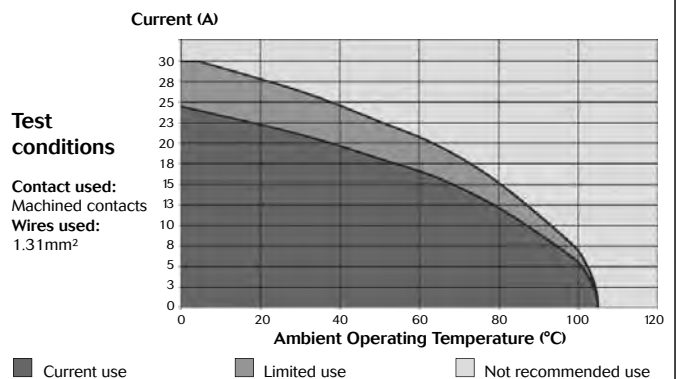
Electrical characteristics

UL
10A 500V UL94 V-0

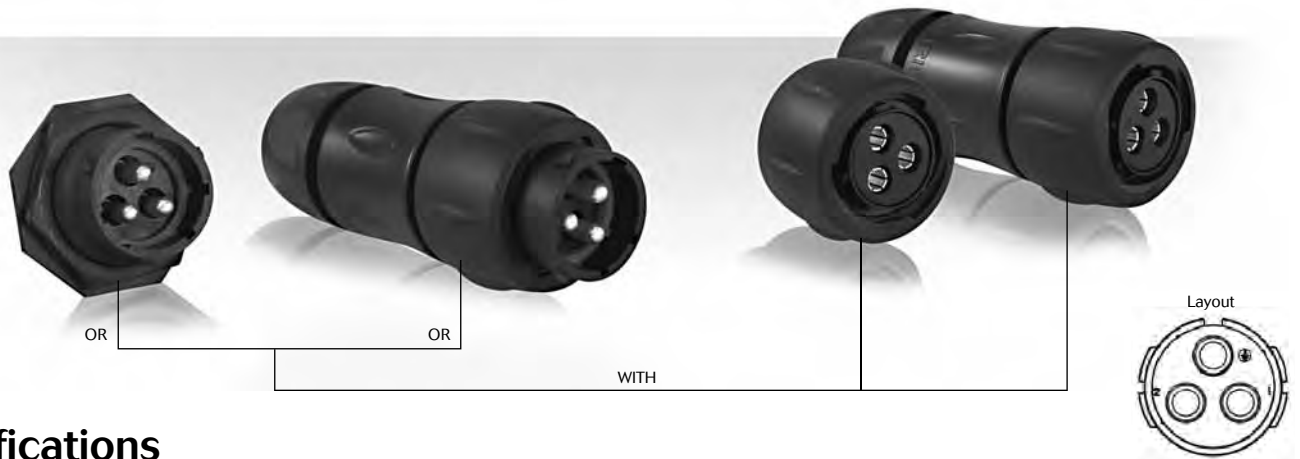
CSA
7A 500V UL94 V-0

IEC
16A 300V 4kV 3
Temperature elevation: 50°C

UTS 103 derating curves



UTS Series 142G1

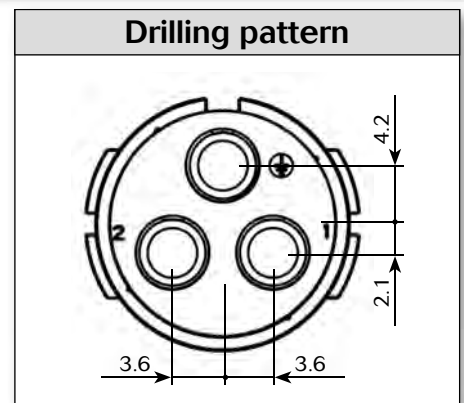
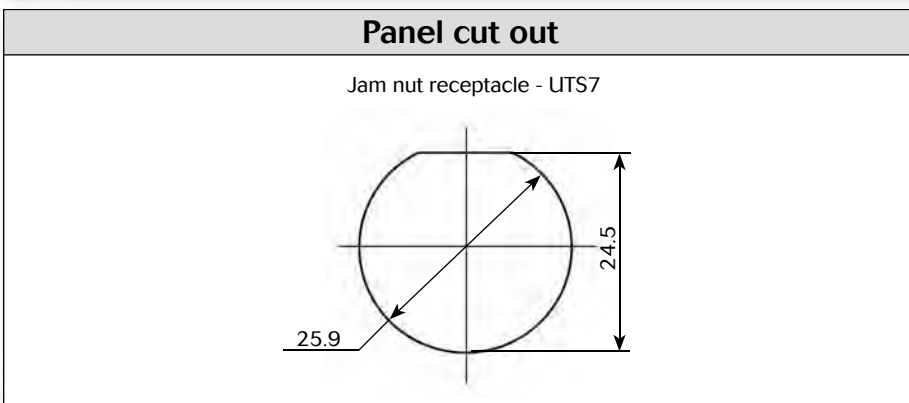
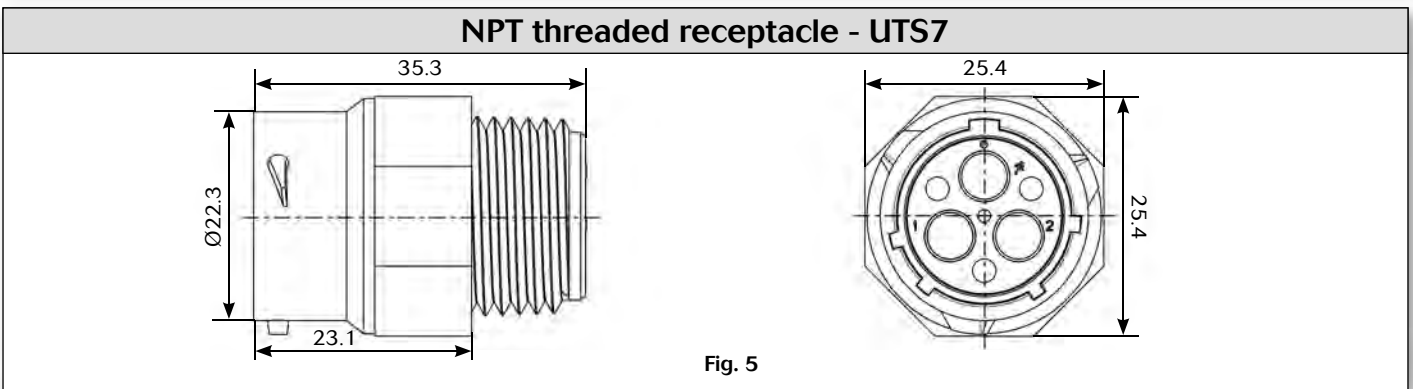
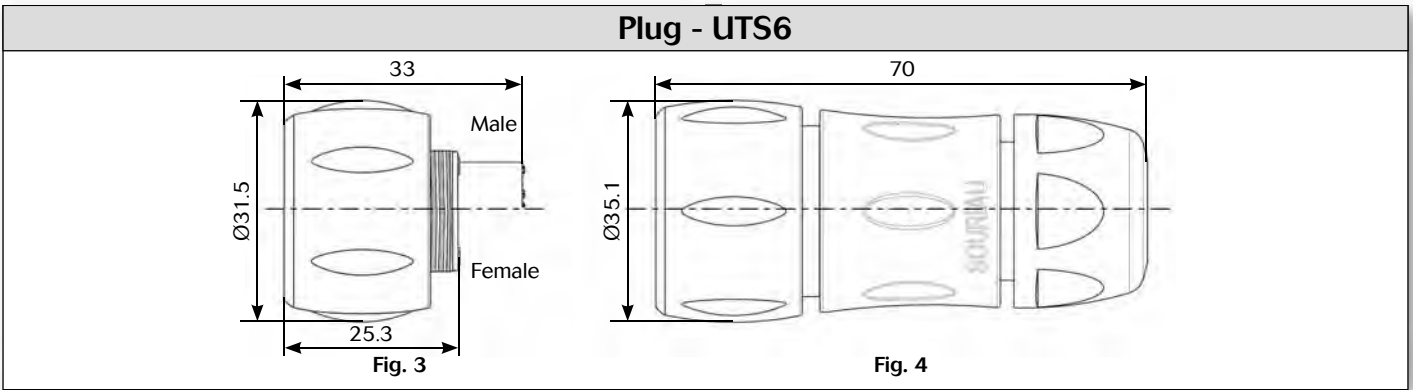
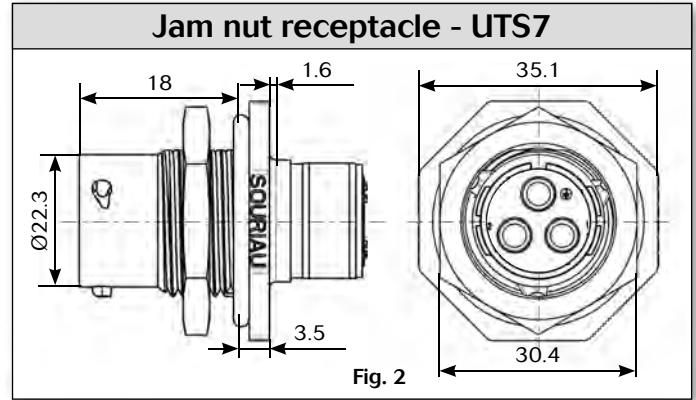
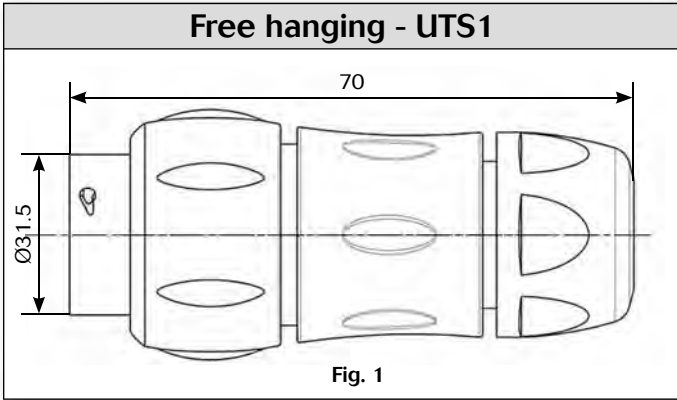


Specifications

| Contact type | Connector type | Backshell | Part number | |
|--|-------------------------|---------------------|---------------|---------------|
| | | | Male insert | Female insert |
| Crimp contacts supply separately see page 35 | Free hanging receptacle | Cable gland (Fig.1) | UTS1JC142G1P | UTS1JC142G1S |
| | Plug | Without (Fig.3) | UTS6142G1P | UTS6142G1S |
| | | Cable gland (Fig.4) | UTS6JC142G1P | UTS6JC142G1S |
| | Jam nut receptacle | Without (Fig.2) | UTS7142G1P | UTS7142G1S |
| NPT threaded receptacle | Without (Fig.5) | | UTS7142G1SNPT | |





Dimensions



Note: all dimensions are in mm



Accessories and tooling

| Jam nut sealing caps | |
|---|---|
|  |  |
| Part number | Part number |
| UTS14DCG | UTS14DCGR |


Metal terminal

| Hand tool |
|--|
|  |
| Part number |
| M317 |




| Plug sealing cap |
|--|
|  |
| Part number |
| UTS614DCG |

| Positioner + locator setting |
|--|
|  |
| Part number |
| VGE10078A |

| Plastic protective cap | |
|---|----------|
|  | |
| Part numbers | |
| Receptacle cap | Plug cap |
| 85005588A | 85005597 |

| Gasket |
|---|
|  |
| Part numbers / neoprene |
| UTFD14B |

| Extraction tool |
|--|
|  |
| Part number |
| 51060210936 |

| Color coding rings | |
|--------------------|---|
| G for Green |  |
| Y for Yellow |  |
| R for Red |  |
| Part numbers | |
| Receptacles | Plugs |
| UTS714CCRR | UTS614CCRR |
| UTS714CCRY | UTS614CCRY |
| UTS714CCRG | UTS614CCRG |

* Add G for Green, Y for Yellow, R for Red



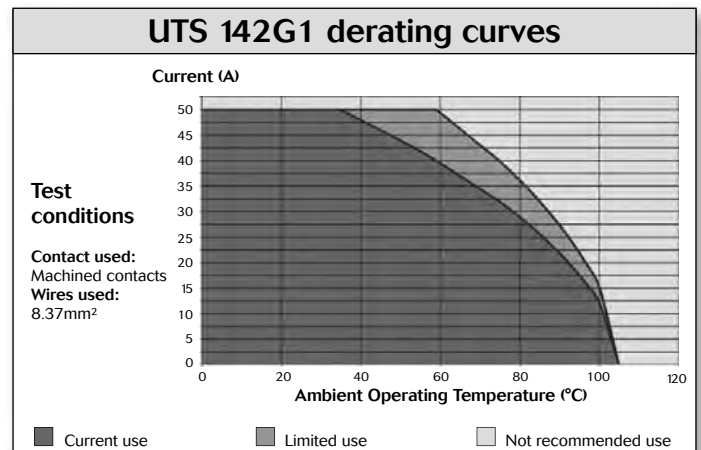
2 + ground
40A/300V
per IEC 61984

Contacts

| #8 | Contact type | AWG | Part number | | Max wire Ø | Max insulator Ø |
|-------|--------------|-----|--------------------------|--------------------------|------------|-----------------|
| | | | Male | Female | | |
| Crimp | Machined | 16 | 82913601A ⁽¹⁾ | 82913600A ⁽¹⁾ | - | 6.5 |
| | | 14 | 82913603A ⁽¹⁾ | 82913602A ⁽¹⁾ | - | |
| | | 12 | 82913605A ⁽¹⁾ | 82913604A ⁽¹⁾ | - | |
| | | 10 | 82913607A ⁽¹⁾ | 82913606A ⁽¹⁾ | - | |
| | | 8 | 82913609A ⁽¹⁾ | 82913608A ⁽¹⁾ | - | |

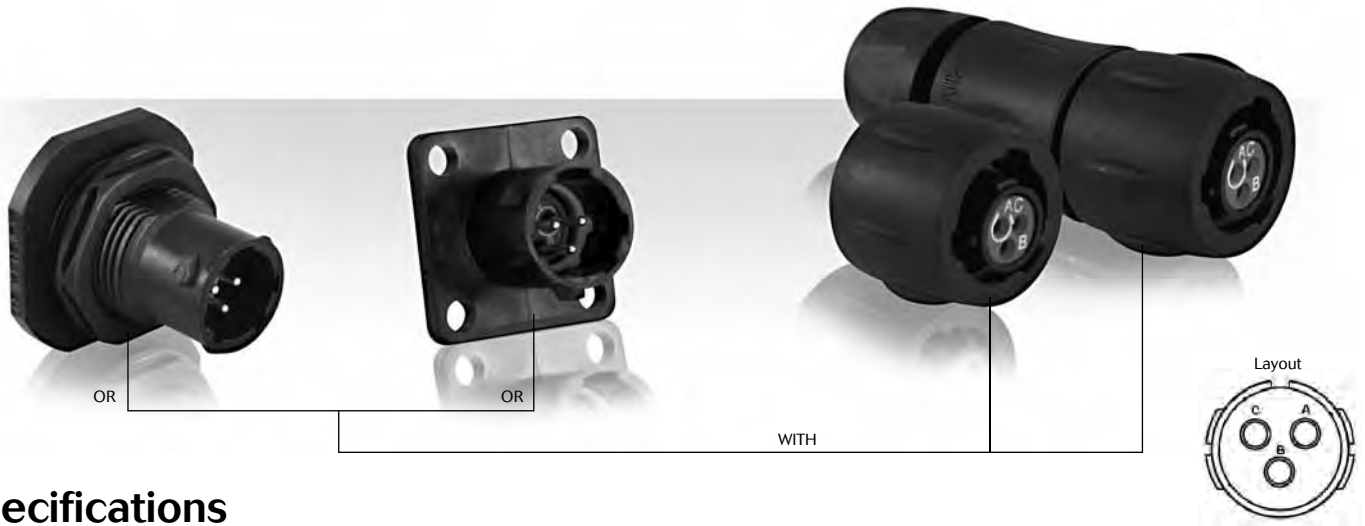
(1): Example of plating, for other plating see page 143

| Electrical characteristics |
|---|
| <p>UL 44A 600V UL94 V-0</p> <p>CSA 30A 600V UL94 V-0</p> <p>IEC 40A 300V 4kV 3</p> |



UTS Series

8E3/8D3



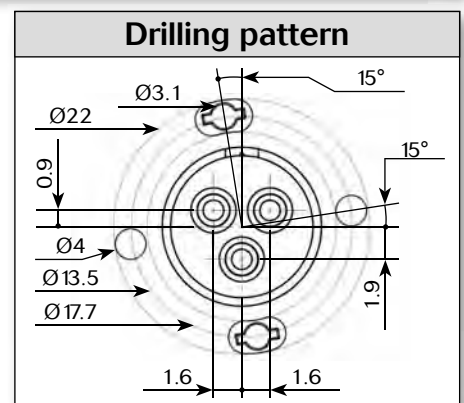
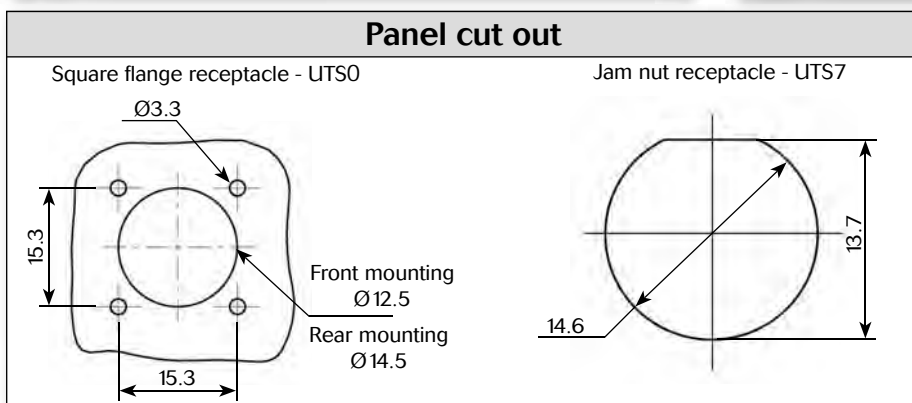
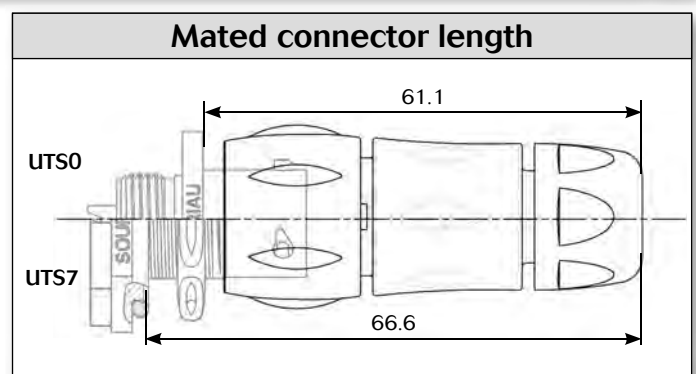
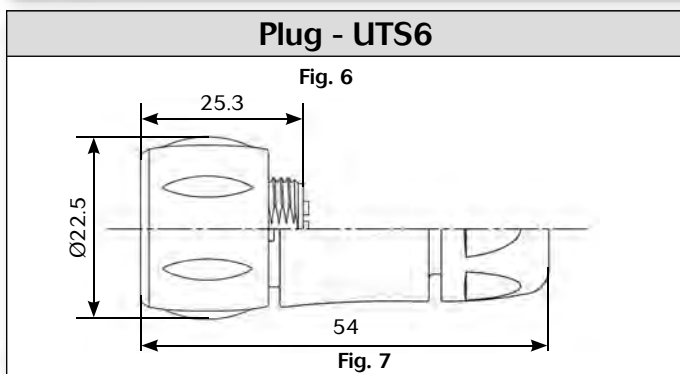
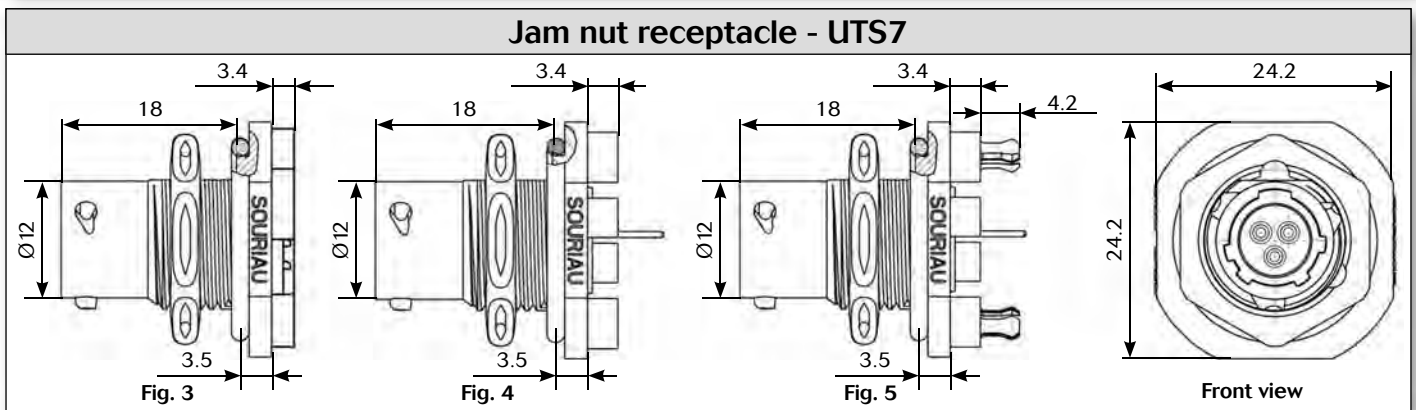
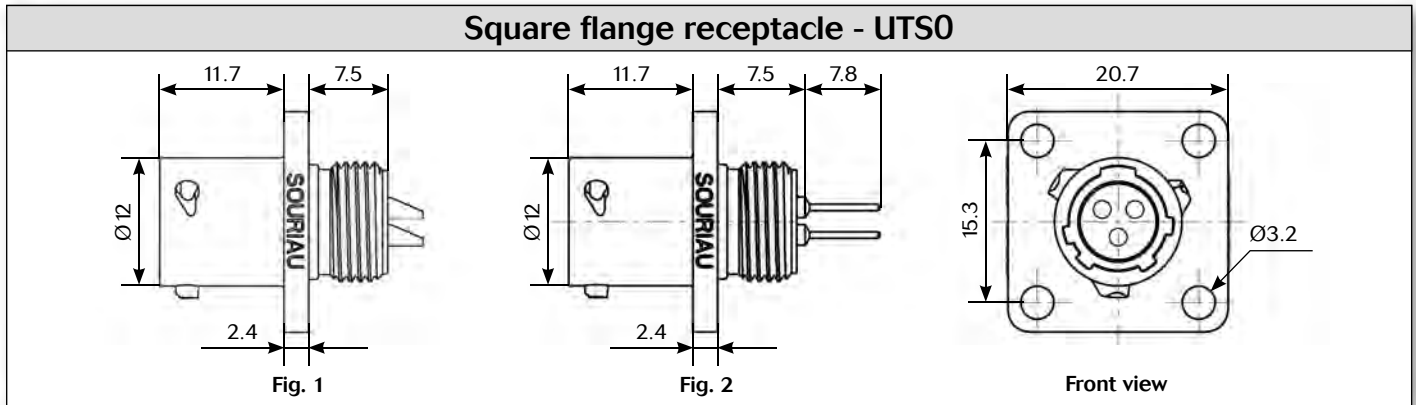
Specifications

| Contact type | Connector type | Backshell | Part number | |
|--|--|---------------------|-------------|---------------|
| | | | Male insert | Female insert |
| Hand solder electrical contacts loaded | Square flange receptacle | Without (Fig.1) | UTS08E3P | UTS08E3S |
| | Plug | Without (Fig.6) | UTS68E3P | UTS68E3S |
| | | Cable gland (Fig.7) | UTS6JC8E3P | UTS6JC8E3S |
| | Jam nut receptacle | Without (Fig.3) | UTS78E3P | UTS78E3S |
| PCB contacts loaded | Square flange receptacle | Without (Fig.2) | UTS08D3P | UTS08D3S |
| | Jam nut receptacle with stand off and with hold down clips | Without (Fig.5) | UTS78D3P32 | UTS78D3S32 |
| | Jam nut receptacle with stand off and without hold down clip | Without (Fig.4) | UTS78D3P | UTS78D3S |

Sealed unmated



Dimensions



Note: all dimensions are in mm



Accessories

Jam nut sealing caps

| | |
|-------------|-------------|
| Part number | Part number |
| UTS8DCG | UTS8DCGR |

Metal terminal

Square flange sealing cap

| |
|-------------|
| Part number |
| UTS8DCGE |

Metal terminal

Plug protective cap

| |
|-------------|
| Part number |
| UTS68C |

IP40

Plastic protective cap

| Part numbers | |
|----------------|----------|
| Receptacle cap | Plug cap |
| 85005585A | 85005594 |

Gasket

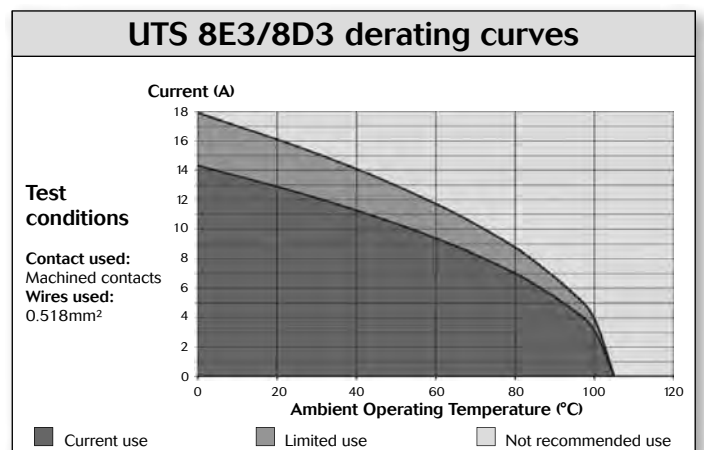
| |
|-------------------------|
| Part numbers / neoprene |
| UTFD11B |

Electrical characteristics

UL
7A 250V UL94 HB

CSA
7A 250V UL94 HB

IEC
7A 32V 1.5kV 3



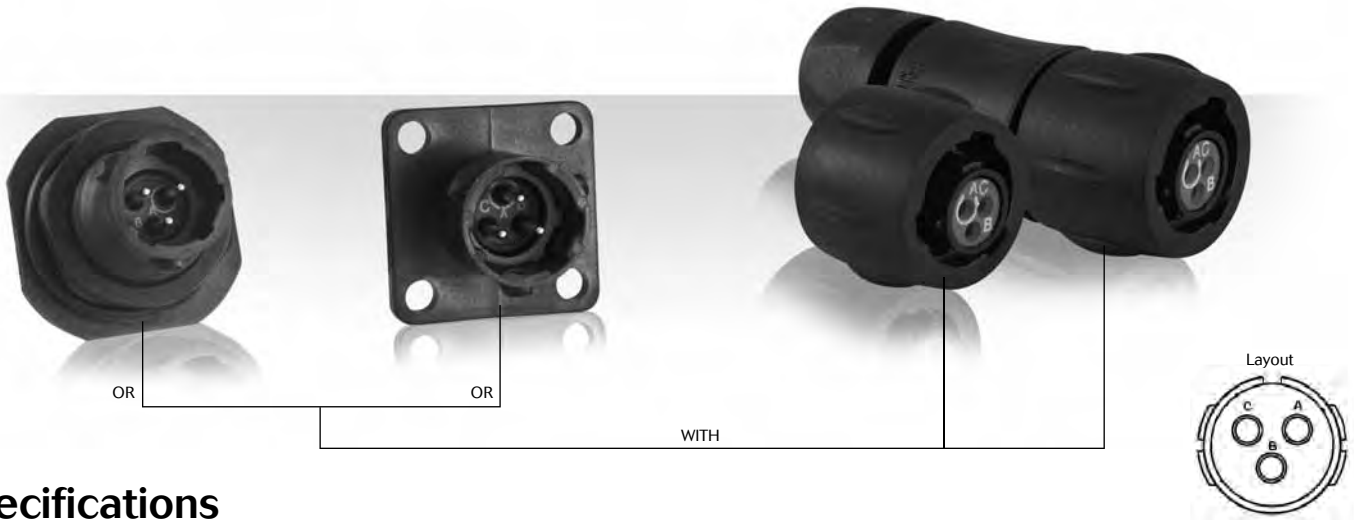
UTS Series

8E3/8D3



UTS Series

8E3A/8E98 - 8D3A/8D98



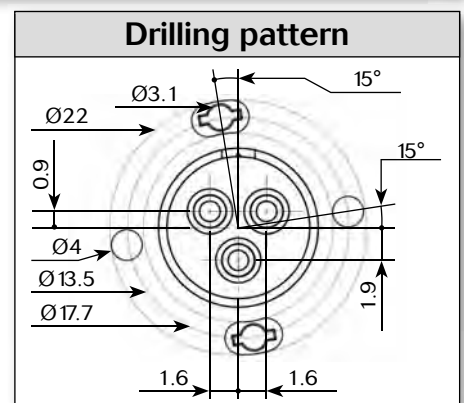
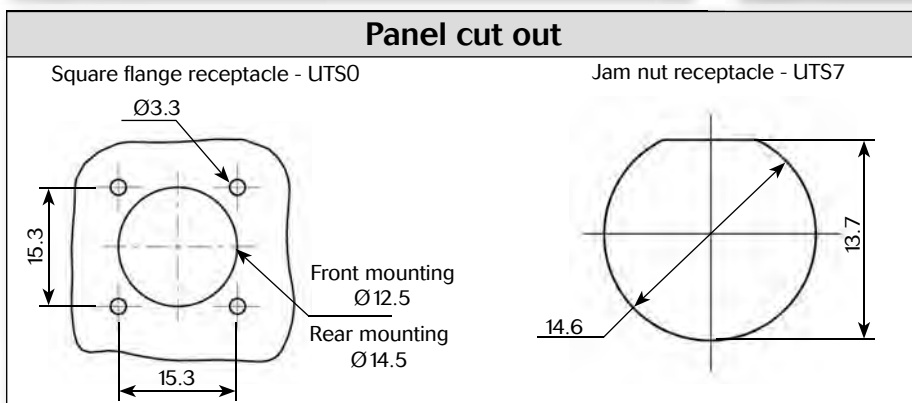
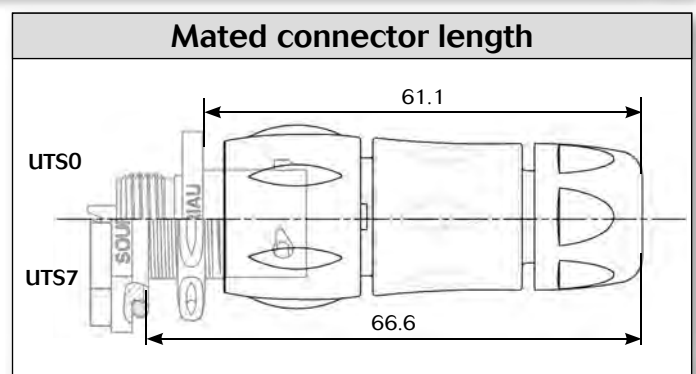
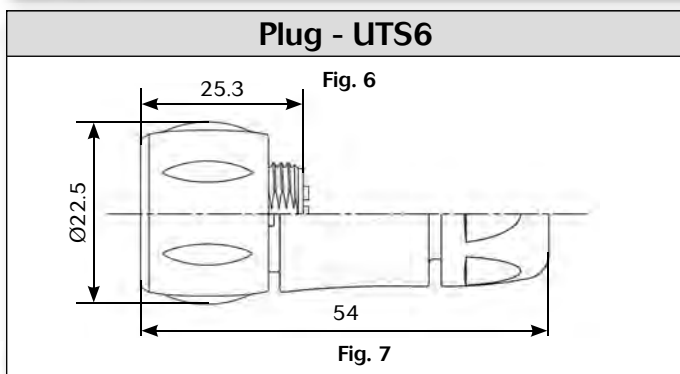
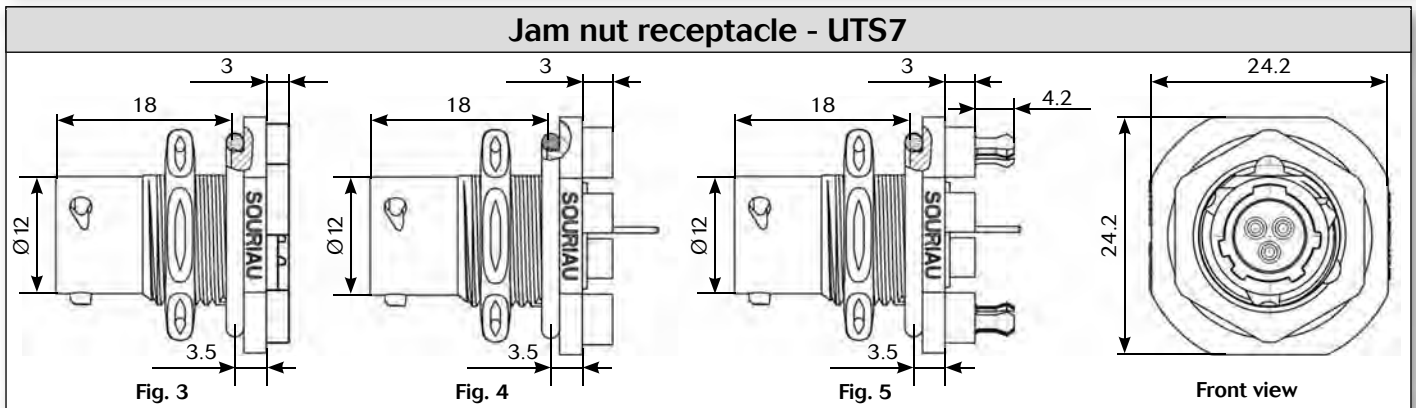
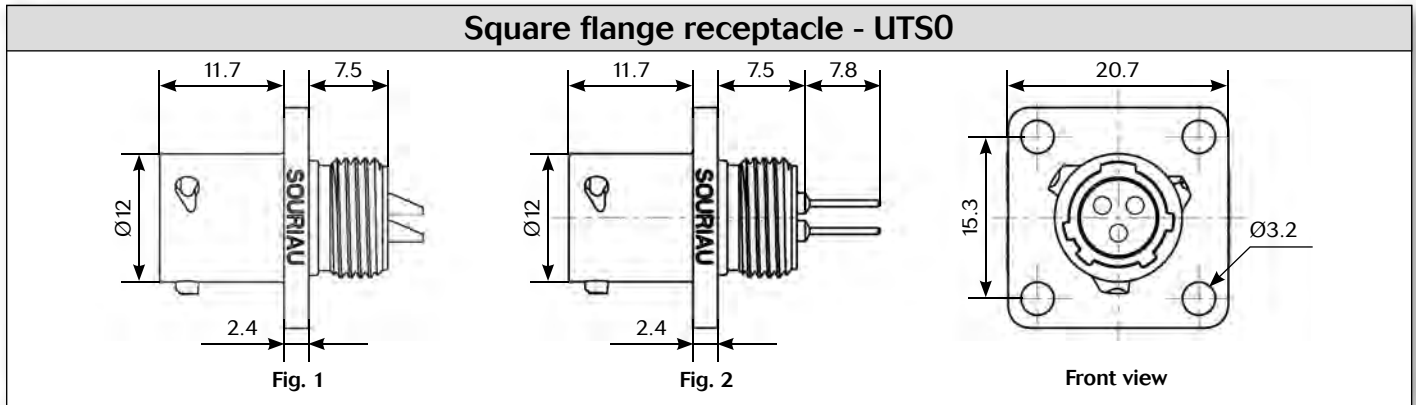
Specifications

| Contact type | Connector type | Backshell | Part number | |
|--|--|-----------------|-------------|---------------|
| | | | Male insert | Female insert |
| Hand solder electrical contacts loaded | Square flange receptacle | Without (Fig.1) | UTS08E3AP | UTS08E3AS |
| | | | UTS08E98P | UTS08E98S |
| | Plug | Without (Fig.6) | UTS68E3AP | UTS68E3AS |
| | | | UTS68E98P | UTS68E98S |
| | | | UTS6JC8E3AP | UTS6JC8E3AS |
| | Cable gland (Fig.7) | Without (Fig.7) | UTS6JC8E98P | UTS6JC8E98S |
| | | | UTS78E3AP | UTS78E3AS |
| | Jam nut receptacle | Without (Fig.3) | UTS78E98P | UTS78E98S |
| | | | UTS08D3AP | UTS08D3AS |
| PCB contacts loaded | Square flange receptacle | Without (Fig.2) | UTS08D98P | UTS08D98S |
| | | | UTS78D3AP32 | UTS78D3AS32 |
| | Jam nut receptacle with stand off and with hold down clips | Without (Fig.5) | UTS78D98P32 | UTS78D98S32 |
| | | | UTS78D3AP | UTS78D3AS |
| | Jam nut receptacle with stand off and without hold down clip | Without (Fig.4) | UTS78D98P | UTS78D98S |

Sealed unmatad



Dimensions





Note: all dimensions are in mm

UTS Series

8E3A/8E98 - 8D3A/8D98



Accessories

| Jam nut sealing caps | |
|---|---|
|  |  |
| Part number | Part number |
| UTS8DCG | UTS8DCGR |

Metal terminal


| Square flange sealing cap |
|--|
|  |
| Part number |
| UTS8DCGE |

Metal terminal

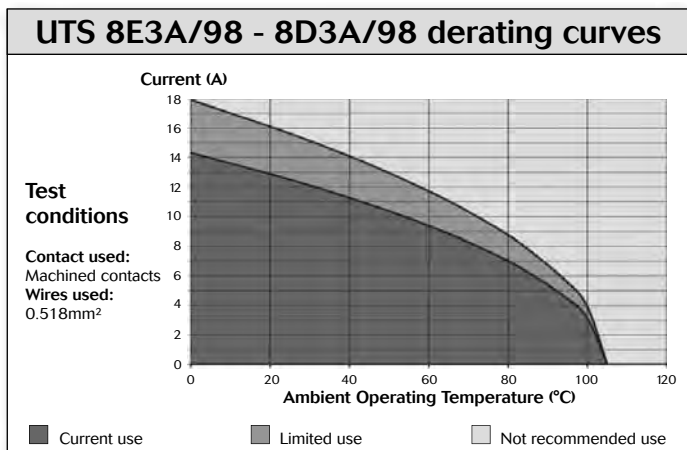
| Plug protective cap |
|---|
|  |
| Part number |
| UTS68C |

IP40

| Plastic protective cap | |
|--|----------|
|  | |
| Part numbers | |
| Receptacle cap | Plug cap |
| 85005585A | 85005594 |

| Gasket |
|--|
|  |
| Part numbers / neoprene |
| UTFD11B |

| Electrical characteristics |
|---|
| <p>UL 7A 250V UL94 HB</p> <p>CSA 7A 250V UL94 HB</p> <p>IEC 7A 50V 1.5kV 3</p> |



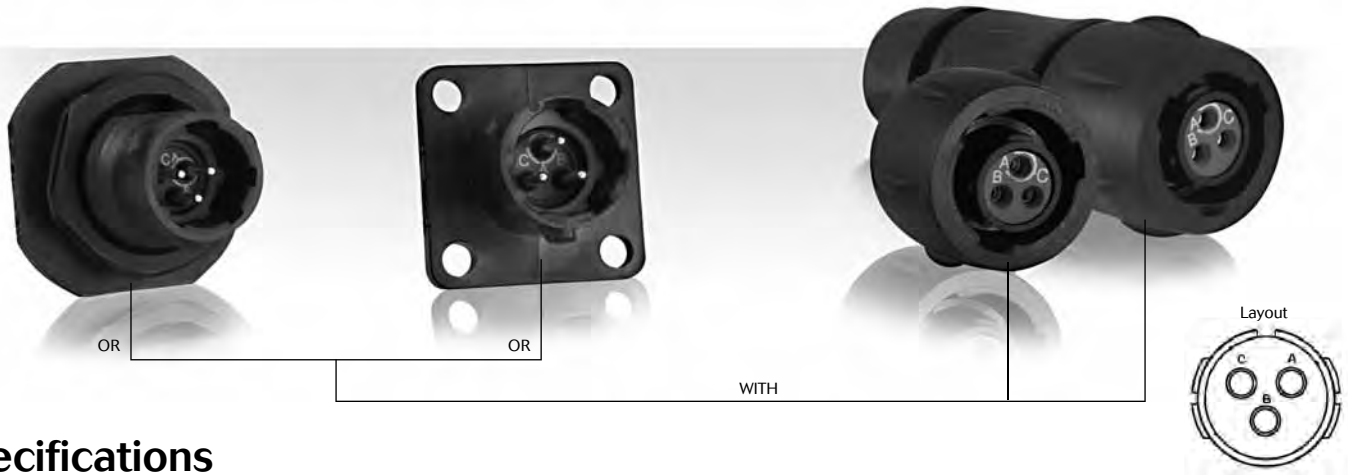
UTS Series

8E3A/8E98 - 8D3A/8D98



UTS Series

8E33/8D33



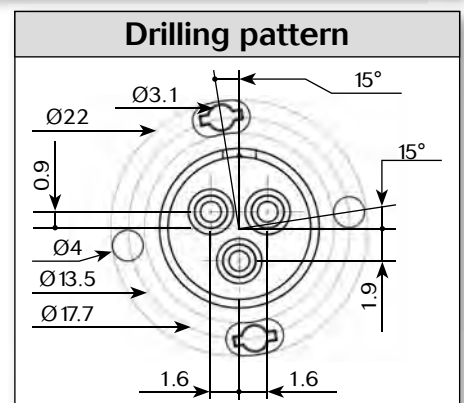
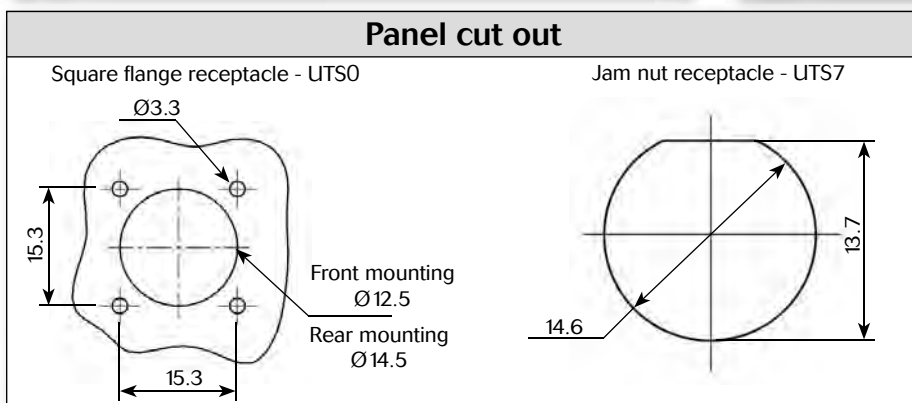
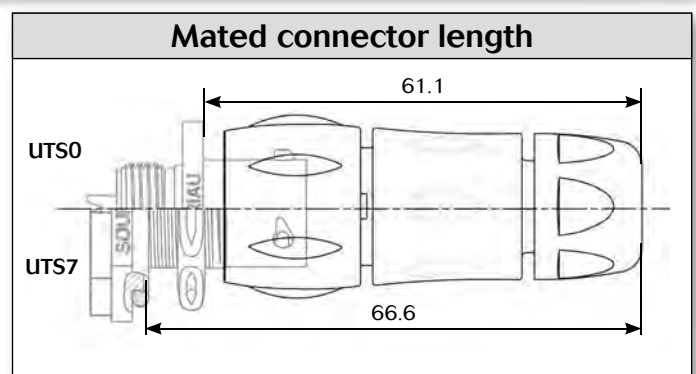
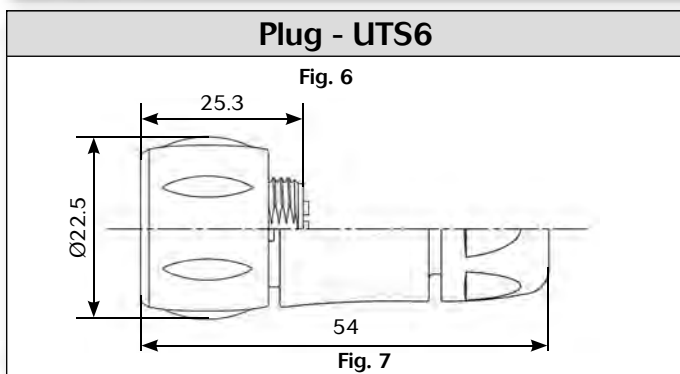
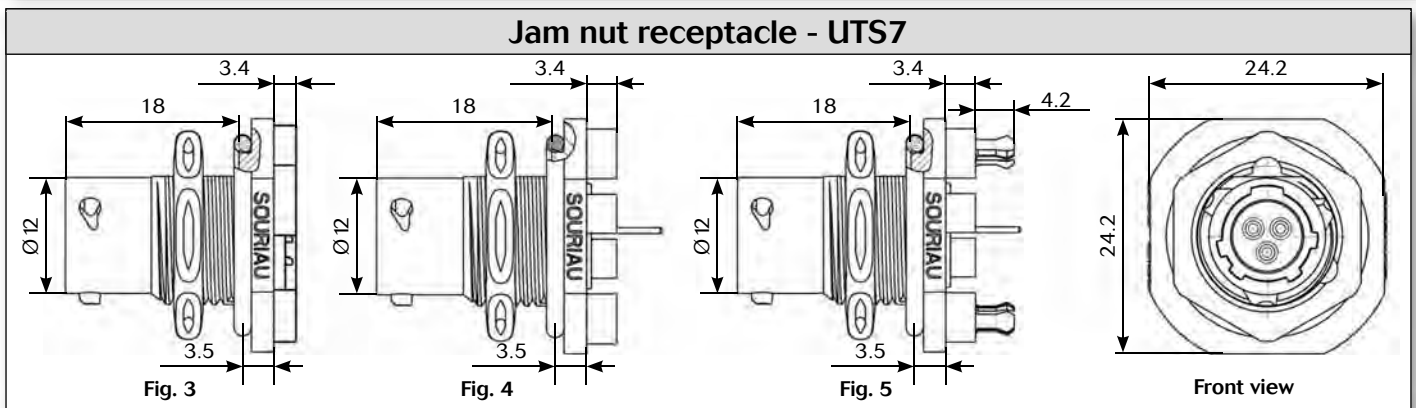
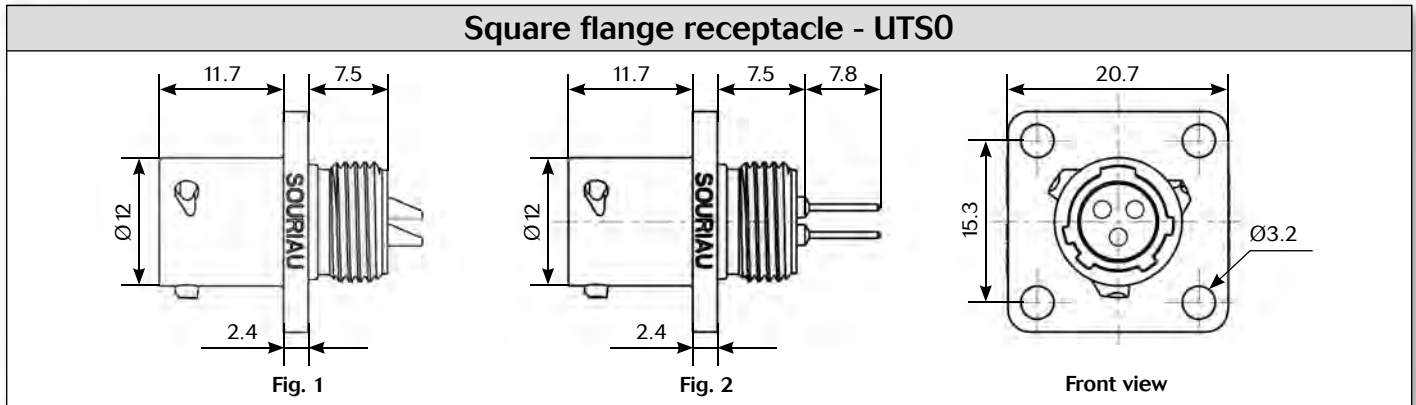
Specifications

| Contact type | Connector type | Backshell | Part number | |
|--|--|---------------------|-------------|---------------|
| | | | Male insert | Female insert |
| Hand solder electrical contacts loaded | Square flange receptacle | Without (Fig.1) | UTS08E33P | UTS08E33S |
| | Plug | Without (Fig.6) | UTS68E33P | UTS68E33S |
| | | Cable gland (Fig.7) | UTS6JC8E33P | UTS6JC8E33S |
| | Jam nut receptacle | Without (Fig.3) | UTS78E33P | UTS78E33S |
| PCB contacts loaded | Square flange receptacle | Without (Fig.2) | UTS08D33P | UTS08D33S |
| | Jam nut receptacle with stand off and with hold down clips | Without (Fig.5) | UTS78D33P32 | UTS78D33S32 |
| | Jam nut receptacle with stand off and without hold down clip | Without (Fig.4) | UTS78D33P | UTS78D33S |

Sealed unmated





Dimensions



Note: all dimensions are in mm




Accessories

| Jam nut sealing caps | |
|---|---|
|  |  |
| Part number | Part number |
| UTS8DCG | UTS8DCGR |

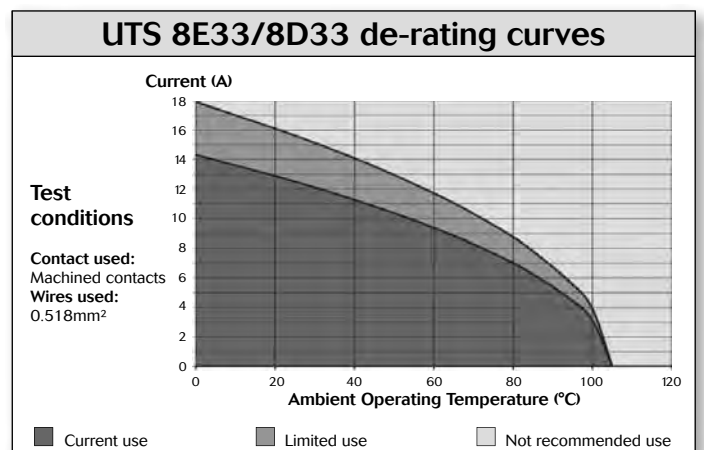
| Square flange sealing cap |
|--|
|  |
| Metal terminal |
| Part number |
| UTS8DCGE |

| Plug protective cap |
|---|
|  |
| IP40 |
| Part number |
| UTS68C |

| Plastic protective cap | |
|--|----------|
|  | |
| Part numbers | |
| Receptacle cap | Plug cap |
| 85005585A | 85005594 |

| Gasket |
|--|
|  |
| Part numbers / neoprene |
| UTFD11B |

| Electrical characteristics |
|---|
| <p>UL 7A 250V UL94 HB</p> <p>CSA 7A 250V UL94 HB</p> <p>IEC 7A 50V 1.5kV 3</p> |



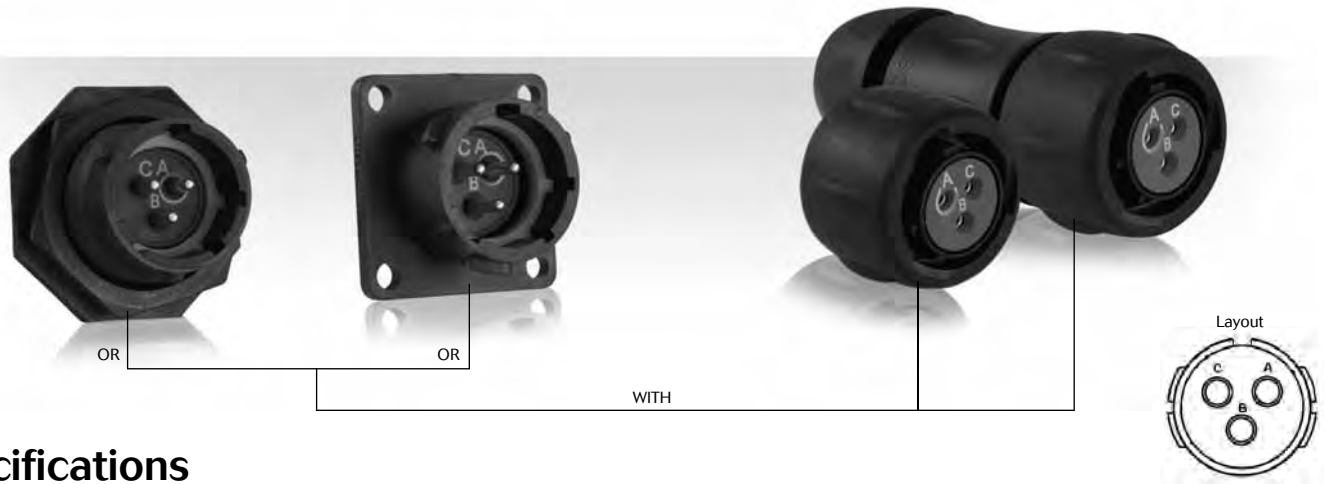
UTS Series

8E33/8D33



UTS Series

12E3/12D3



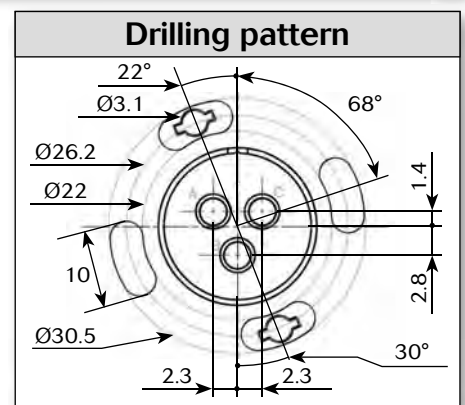
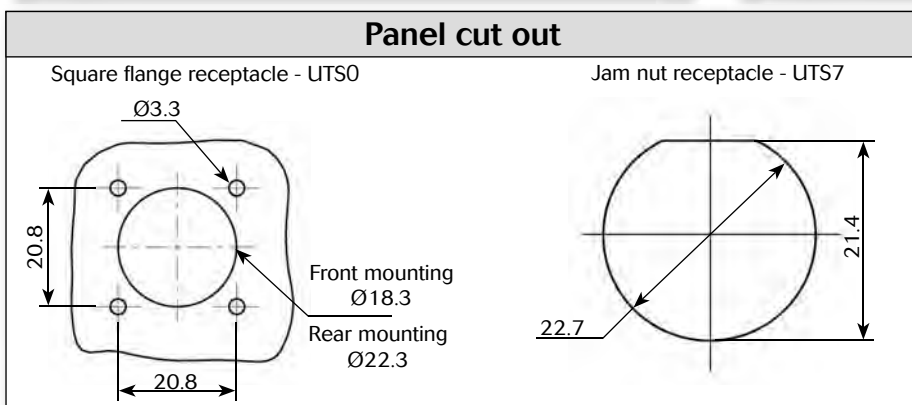
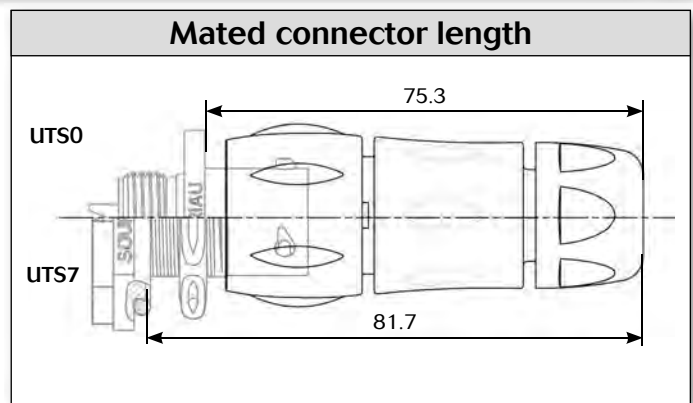
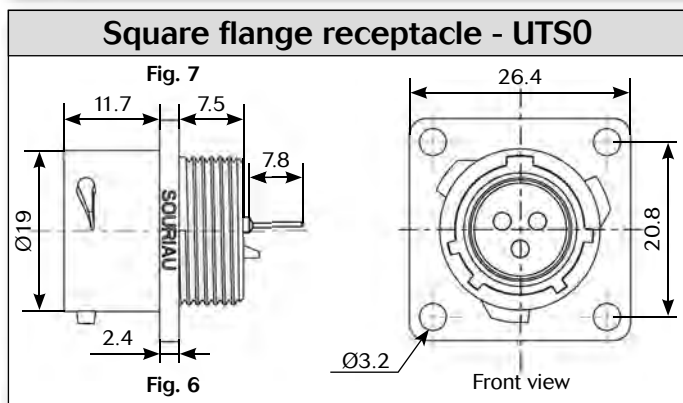
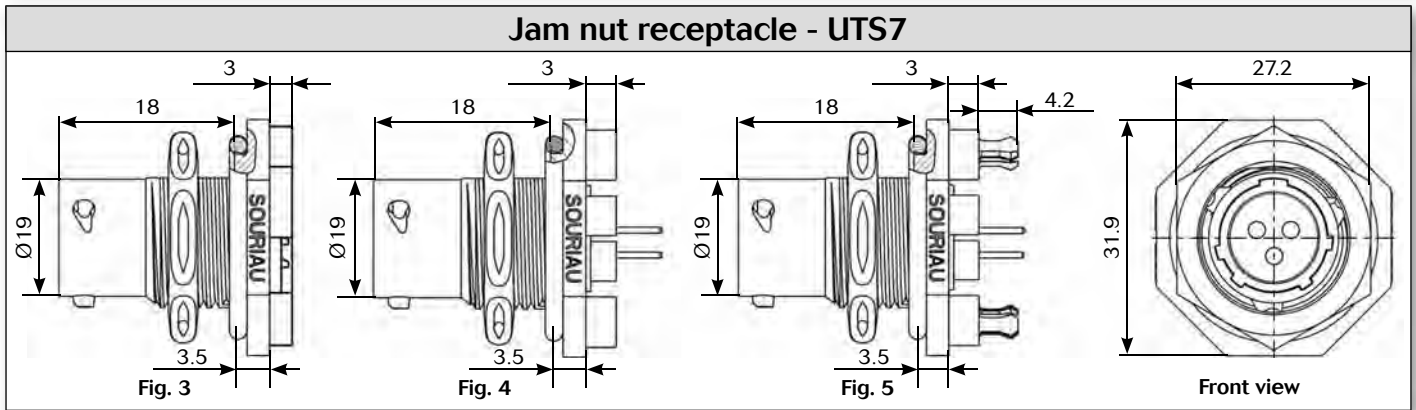
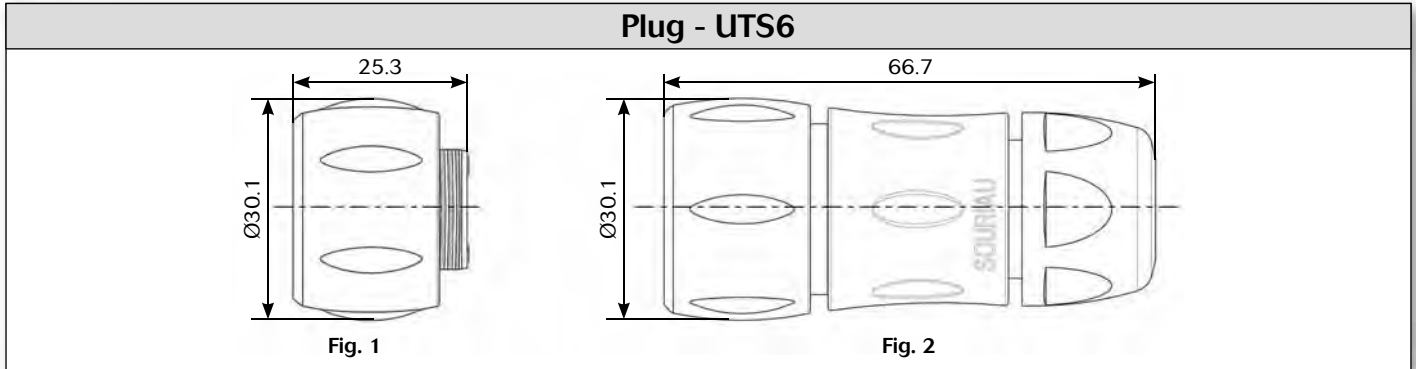
Specifications

| Contact type | Connector type | Backshell | Part number | |
|--|--|---------------------|-------------|---------------|
| | | | Male insert | Female insert |
| Hand solder electrical contacts loaded | Square flange receptacle | Without (Fig.6) | UTS012E3P | UTS012E3S |
| | Plug | Without (Fig.1) | UTS612E3P | UTS612E3S |
| | | Cable gland (Fig.2) | UTS6JC12E3P | UTS6JC12E3S |
| | Jam nut receptacle | Without (Fig.3) | UTS712E3P | UTS712E3S |
| PCB contacts loaded | Square flange receptacle | Without (Fig.7) | UTS012D3P | UTS012D3S |
| | Jam nut receptacle with stand off and with hold down clips | Without (Fig.5) | UTS712D3P32 | UTS712D3S32 |
| | Jam nut receptacle with stand off and without hold down clip | Without (Fig.4) | UTS712D3P | UTS712D3S |

Sealed unmatred



Dimensions





Accessories

Jam nut sealing caps

Metal terminal

| Part number |
|-------------|
| UTS12DCG |

| Part number |
|-------------|
| UTS12DCGR |

Plug sealing cap

| Part number |
|-------------|
| UTS612DCG |

Square flange sealing cap

Metal terminal

| Part number |
|-------------|
| UTS12DCGE |

Plastic protective cap

| Part numbers | |
|----------------|----------|
| Receptacle cap | Plug cap |
| 85005587A | 85005596 |

Gasket

| Part numbers / neoprene |
|-------------------------|
| UTFD13B |

Color coding rings

G for Green
Y for Yellow
R for Red

| Part numbers | |
|--------------|------------|
| Receptacles | Plugs |
| UTS712CCR | UTS612CCR |
| UTS712CCRY | UTS612CCRY |
| UTS712CCRG | UTS612CCRG |

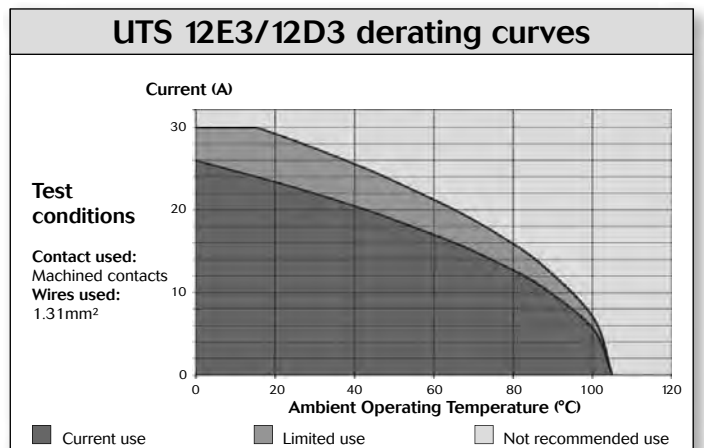
* Add G for Green, Y for Yellow, R for Red

Electrical characteristics

UL
13A 650V UL94 HB

CSA
13A 650V UL94 HB

IEC
16A 150V 2.5kV 3



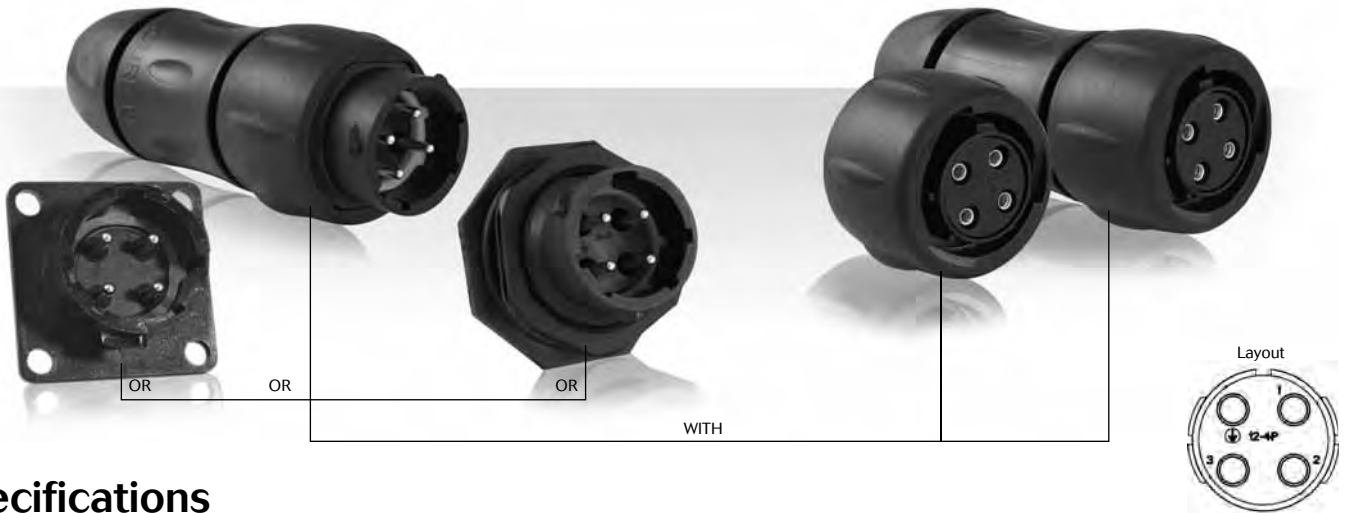
UTS Series

12E3/12D3



UTS Series

124 - 12E4/12D4



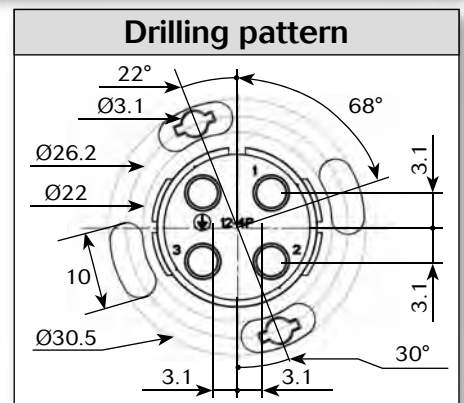
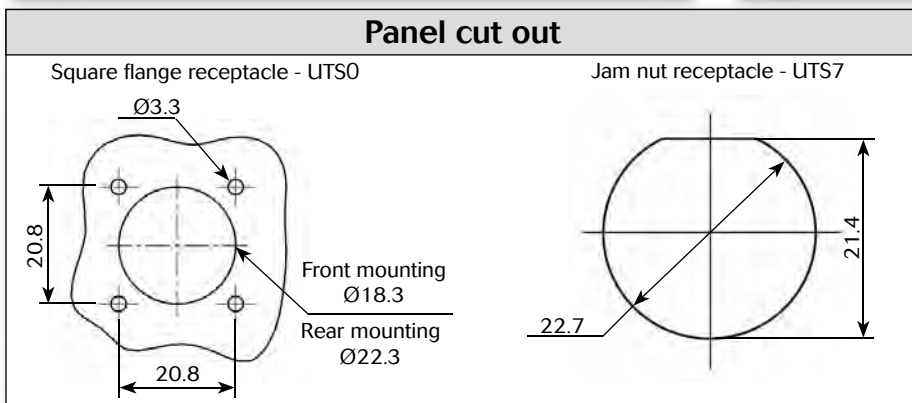
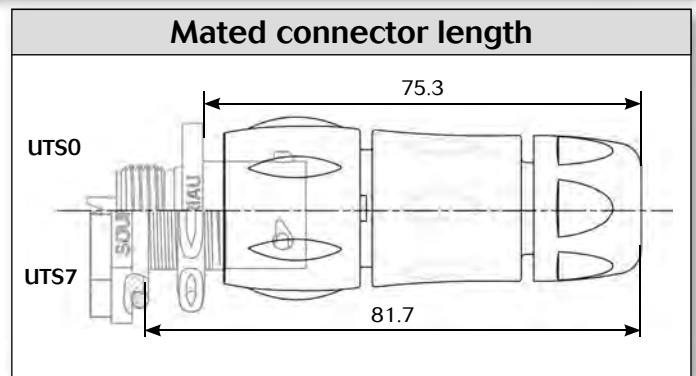
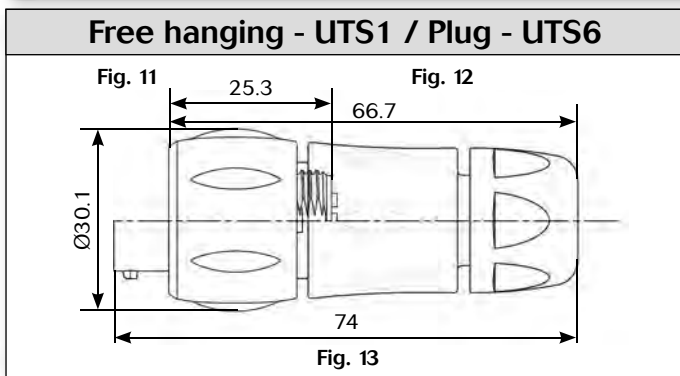
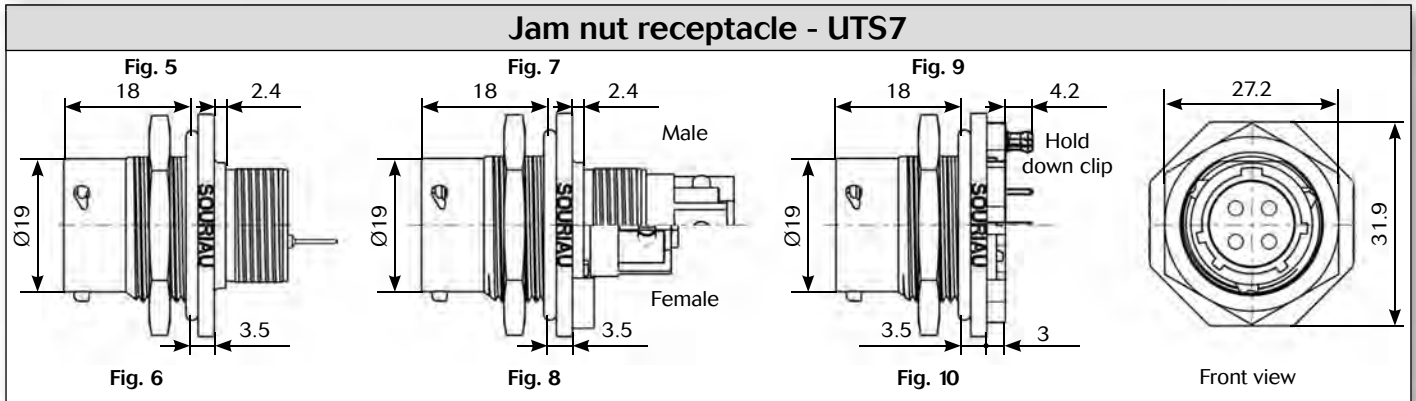
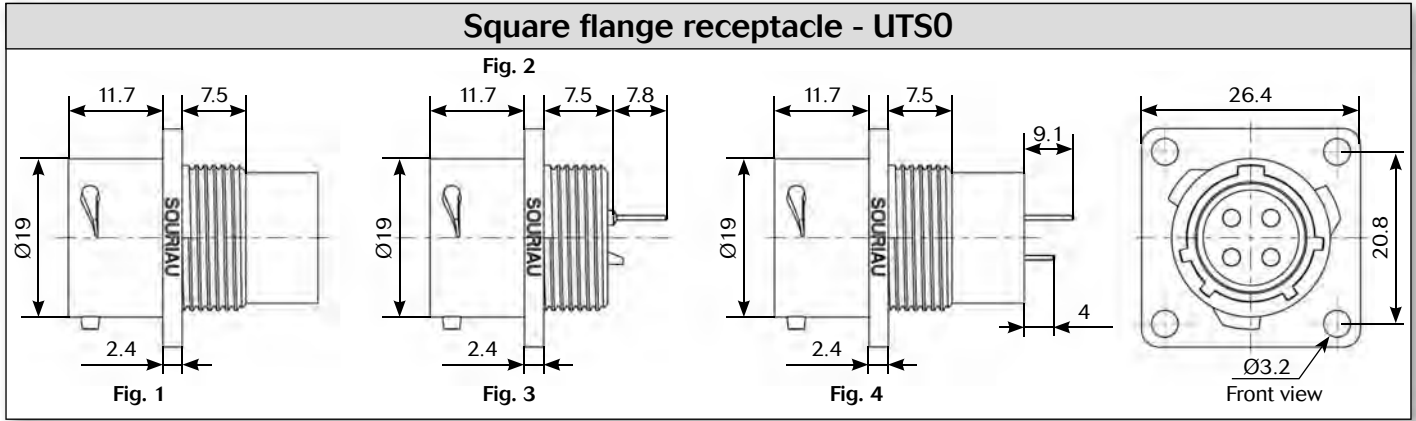
Specifications

| Contact type | Connector type | Backshell | Part number | |
|--|--|-----------------------|---------------|---------------|
| | | | Male insert | Female insert |
| Crimp contacts supply separately see page 55 | Square flange receptacle | Without (Fig.1) | UTS0124P | |
| | Jam nut receptacle | Without (Fig.5) | UTS7124P | UTS7124S |
| | Free hanging receptacle | Cable gland (Fig. 13) | UTS1JC124P | UTS1JC124S |
| | Plug | Without (Fig. 11) | UTS6124P | UTS6124S |
| Cable gland (Fig. 12) | | UTS6JC124P | UTS6JC124S | |
| Hand solder electrical contacts loaded | Square flange receptacle | Without (Fig.3) | UTS012E4P | UTS012E4S |
| | Jam nut receptacle | Without (Fig. 10) | UTS712E4P | UTS712E4S |
| | Plug | Without (Fig. 11) | UTS612E4P | UTS612E4S |
| | | Cable gland (Fig. 12) | UTS6JC12E4P | UTS6JC12E4S |
| Screw contacts loaded | Jam nut receptacle | Without (Fig.7 & 8) | UTS7124PSCR | UTS7124SSCR |
| | Plug | Without (Fig. 11) | UTS6124PSCR | UTS6124SSCR |
| | | Cable gland (Fig. 12) | UTS6JC124PSCR | UTS6JC124SSCR |
| | Free hanging receptacle | Cable gland (Fig. 13) | UTS1JC124PSCR | |
| PCB contacts supply separately see page 55 | Square flange receptacle | Without (Fig.4) | UTS0124P | |
| | Jam nut receptacle | Without (Fig.6) | UTS7124P | UTS7124S |
| PCB contacts loaded | Square flange receptacle | Without (Fig.2) | UTS012D4P | UTS012D4S |
| | Jam nut receptacle with stand off and without hold down clip | Without (Fig.9) | UTS712D4P | UTS712D4S |
| | Jam nut receptacle with stand off and with hold down clips | Without (Fig.9) | UTS712D4P32 | UTS712D4S32 |

Sealed unmatred





Dimensions



Note: all dimensions are in mm



Accessories and tooling

| Jam nut sealing caps | |
|---|---|
|  |  |
| Part number | Part number |
| UTS12DCG | UTS12DCGR |

Metal terminal

| Handle |
|--|
|  |
| Part number |
| SHANGLES |


| Tool kit |
|---|
|  |
| Part number |
| TOOLKIT |





| Plug sealing cap |
|--|
|  |
| Part number |
| UTS612DCG |

| Square flange sealing cap |
|--|
|  |
| Part number |
| UTS12DCGE |


Metal terminal

| Plastic protective cap | |
|---|----------|
|  | |
| Part numbers | |
| Receptacle cap | Plug cap |
| 85005587A | 85005596 |

| Gasket |
|---|
|  |
| Part numbers / neoprene |
| UTFD13B |

| Color coding rings | | | | | | | | | | | | |
|--------------------|---|--|--------------|--|-------------|-------|------------|------------|------------|------------|------------|------------|
| G for Green |  | <table border="1"> <thead> <tr> <th colspan="2">Part numbers</th> </tr> <tr> <th>Receptacles</th> <th>Plugs</th> </tr> </thead> <tbody> <tr> <td>UTS712CCRR</td> <td>UTS612CCRR</td> </tr> <tr> <td>UTS712CCRY</td> <td>UTS612CCRY</td> </tr> <tr> <td>UTS712CCRG</td> <td>UTS612CCRG</td> </tr> </tbody> </table> | Part numbers | | Receptacles | Plugs | UTS712CCRR | UTS612CCRR | UTS712CCRY | UTS612CCRY | UTS712CCRG | UTS612CCRG |
| Part numbers | | | | | | | | | | | | |
| Receptacles | Plugs | | | | | | | | | | | |
| UTS712CCRR | UTS612CCRR | | | | | | | | | | | |
| UTS712CCRY | UTS612CCRY | | | | | | | | | | | |
| UTS712CCRG | UTS612CCRG | | | | | | | | | | | |
| Y for Yellow |  | | | | | | | | | | | |
| R for Red |  | | | | | | | | | | | |
| |  | | | | | | | | | | | |

* Add G for Green, Y for Yellow, R for Red

| Crimp tooling | | | |
|---|-------------------------------------|---------------------|---------|
|  | | | |
| Contacts | Contact size | Part number of head | |
| RM/RC 28M1K ⁽¹⁾ | Standard contacts #16 Ø 1.6mm | S16RCM20 | |
| RM/RC 24M9K ⁽¹⁾ | | S16RCM20 | |
| RM/RC 20M13K ⁽¹⁾ | | S16RCM20 | |
| RM/RC 20M12K ⁽¹⁾ | | S16RCM20 | |
| RM/RC 16M23K ⁽¹⁾ | | S16RCM16 | |
| RM/RC 14M50K ⁽¹⁾ | | S16RCM1450 | |
| RM/RC 14M30K ⁽¹⁾ | | S16RCM14 | |
| SM/SC 24ML1TK6 ⁽¹⁾ | | S16SCM20 | |
| SM/SC 20ML1TK6 ⁽¹⁾ | | S16SCM20 | |
| SM/SC 16ML1TK6 ⁽¹⁾ | | S16SCML1 | |
| SM/SC 14ML1TK6 ⁽¹⁾ | | S16SCML1 | |
| SM/SC 16ML1TK6 ⁽¹⁾ | | S16SCML11 | |
| RMDXK10D28K | | Coaxial contacts | M10S-1J |
| RCDXK1D28K | | | M10S-1J |
| RM/RC DX60xxD28K | M10S-1J | | |
| RM/RC DXK10D28 + york090 | M10S-1J | | |
| RM/RC DX60xxD28 | | M10S-1J | |

(1): example of plating, for other plating see UTS catalog page 143

UTS Series

124 - 12E4/12D4



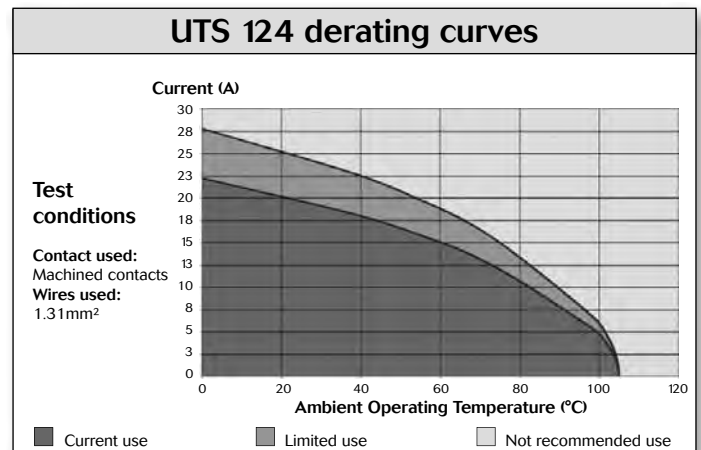
3 + ground
16A/300V
per IEC 61984

Contacts

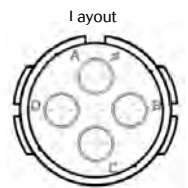
| #16 | Contact type | AWG | Part number | | Max wire Ø | Max insulator Ø |
|-------------|---------------------------------------|------------------------------|------------------------------|-----------------------------|------------|-----------------|
| | | | Male | Female | | |
| Crimp | Machined | 30-28 | RM28M1K ⁽¹⁾ | RC28M1K ⁽¹⁾ | 0.55 | 1.1 |
| | | 26-24 | RM24M9K ⁽¹⁾ | RC24M9K ⁽¹⁾ | 0.8 | 1.6 |
| | | 22-20 | RM20M13K ⁽¹⁾ | RC20M13K ⁽¹⁾ | 1.18 | 1.8 |
| | | 22-20 | RM20M12K ⁽¹⁾ | RC20M12K ⁽¹⁾ | 1.18 | 2.2 |
| | | 20-16 | RM16M23K ⁽¹⁾ | RC16M23K ⁽¹⁾ | 1.8 | 3.2 |
| | | 16-14 | RM14M50K ⁽¹⁾ | RC14M50K ⁽¹⁾ | 2.05 | 3.2 |
| | | 16-14 | RM14M30K ⁽¹⁾ | RC14M30K ⁽¹⁾ | 2.28 | 3.2 |
| | Stamped & formed reeled contacts | 26-24 | SM24M1TK6 ⁽¹⁾⁽²⁾ | SC24M1TK6 ⁽¹⁾⁽²⁾ | 0.89-1.28 | - |
| | | 22-20 | SM20M1TK6 ⁽¹⁾⁽²⁾ | SC20M1TK6 ⁽¹⁾⁽²⁾ | 1.17-2.08 | - |
| | | 18-16 | SM16M1TK6 ⁽¹⁾⁽²⁾ | SC16M1TK6 ⁽¹⁾⁽²⁾ | 3.0 | - |
| 18-16 | | SM16M11TK6 ⁽¹⁾⁽²⁾ | SC16M11TK6 ⁽¹⁾⁽²⁾ | 2.0-3.0 | - | |
| 14 | | SM14M1TK6 ⁽¹⁾⁽²⁾ | SC14M1TK6 ⁽¹⁾⁽²⁾ | 3.2 | - | |
| PCB | Machined ⁽³⁾ | - | RM20M12E8K ⁽¹⁾ | RC20M12E84K ⁽¹⁾ | - | - |
| Coaxial | Cable Multipiece | - | RMDXK10D28 | RCDXK1D28 | - | - |
| | Cable Monocrimp | - | RMDX60xxD28 | RCDX60xxD28 | - | - |
| | Twisted pair Multipiece | - | RMDXK10D28 + york090 | RCDXK1D28 + york090 | - | - |
| | Twisted pair Monocrimp | - | RMDX60xxD28 | RCDX60xxD28 | - | - |
| Fiber optic | POF contacts Plastic optical fibre | - | RMPOF1000 | RCPOF1000B | - | - |

(1): Example of plating, for other plating see page 143
 (2): Loose piece contact available if putting L. Example: SM20ML1-TK6
 (3): For dimensions see page 148

| Electrical characteristics |
|--|
| <p>UL 10A 500V UL94 V-0</p> <p>CSA 7A 500V UL94 V-0</p> <p>IEC 16A 300V 4kV 3 Temperature elevation: 50°C</p> |



UTS Series 183G1



Specifications

| Contact type | Connector type | Backshell | Part number | |
|--|-------------------------|---------------------|--------------|---------------|
| | | | Male insert | Female insert |
| Crimp contacts supply separately see page 59 | NPT threaded receptacle | Without (Fig.1) | | UTS7183G1SNPT |
| | Plug | Without (Fig.2) | UTS6183G1P | |
| | Plug | Cable gland (Fig.3) | UTS6JC183G1P | |



Dimensions

NPT threaded receptacle - UTS7

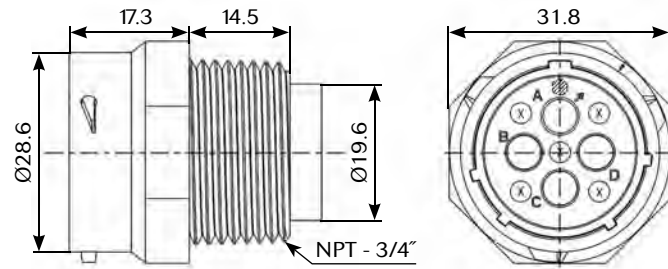


Fig. 1

Plug - UTS6

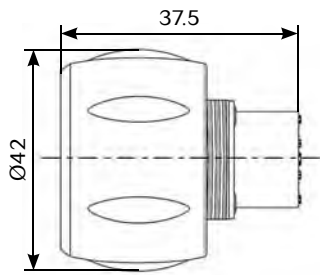


Fig. 2

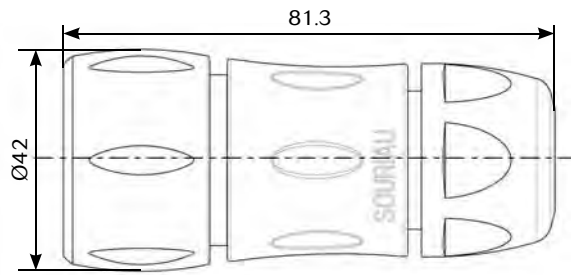
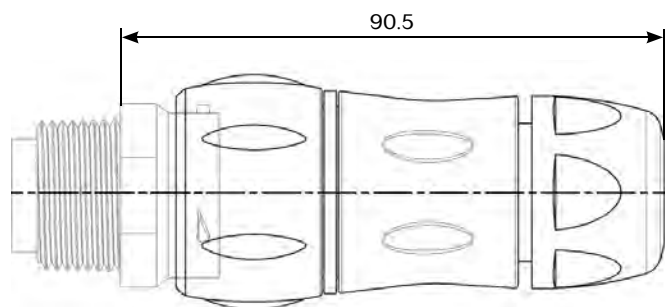
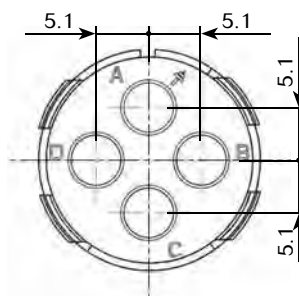


Fig. 3

Mated connector length - UTS6JC



Drilling pattern




Note: all dimensions are in mm




Accessories and tooling

Jam nut sealing caps



| |
|-------------|
| Part number |
| UTS14DCG |



Metal terminal

| |
|-------------|
| Part number |
| UTS14DCGR |

Hand tool



| |
|-------------|
| Part number |
| M317 |

Plug sealing cap



| |
|-------------|
| Part number |
| UTS614DCG |

Positioner + locator setting




| |
|-------------|
| Part number |
| VGE10078A |

Plastic protective cap



| Part numbers | |
|----------------|----------|
| Receptacle cap | Plug cap |
| 85005588A | 85005597 |

Gasket



| |
|-------------------------|
| Part numbers / neoprene |
| UTFD14B |


Extraction tool




| |
|-------------|
| Part number |
| 51060210936 |

Color coding rings


G for Green



Y for Yellow



R for Red



| Part numbers | |
|--------------|------------|
| Receptacles | Plugs |
| UTS714CCRR | UTS614CCRR |
| UTS714CCRY | UTS614CCRY |
| UTS714CCRG | UTS614CCRG |

* Add G for Green, Y for Yellow, R for Red



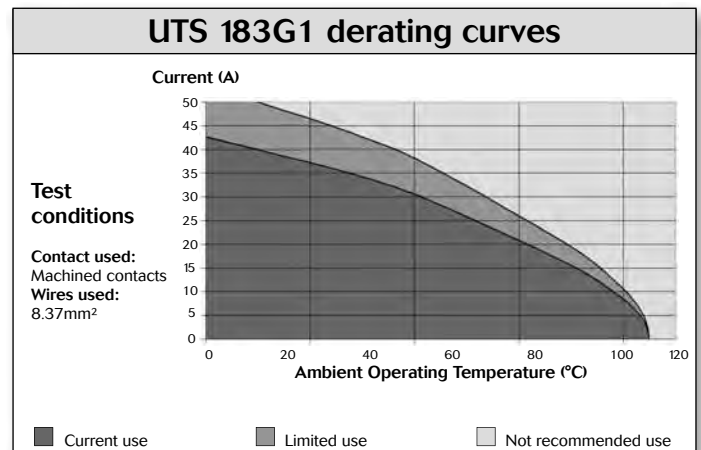
3 + ground
32A/300V
per IEC 61984

Contacts

| #8 | Contact type | AWG | Part number | | Max wire Ø | Max insulator Ø |
|-------|--------------|-----|--------------------------|--------------------------|------------|-----------------|
| | | | Male | Female | | |
| Crimp | Machined | 16 | 82913601A ⁽¹⁾ | 82913600A ⁽¹⁾ | - | 6.5 |
| | | 14 | 82913603A ⁽¹⁾ | 82913602A ⁽¹⁾ | - | |
| | | 12 | 82913605A ⁽¹⁾ | 82913604A ⁽¹⁾ | - | |
| | | 10 | 82913607A ⁽¹⁾ | 82913606A ⁽¹⁾ | - | |
| | | 8 | 82913609A ⁽¹⁾ | 82913608A ⁽¹⁾ | - | |

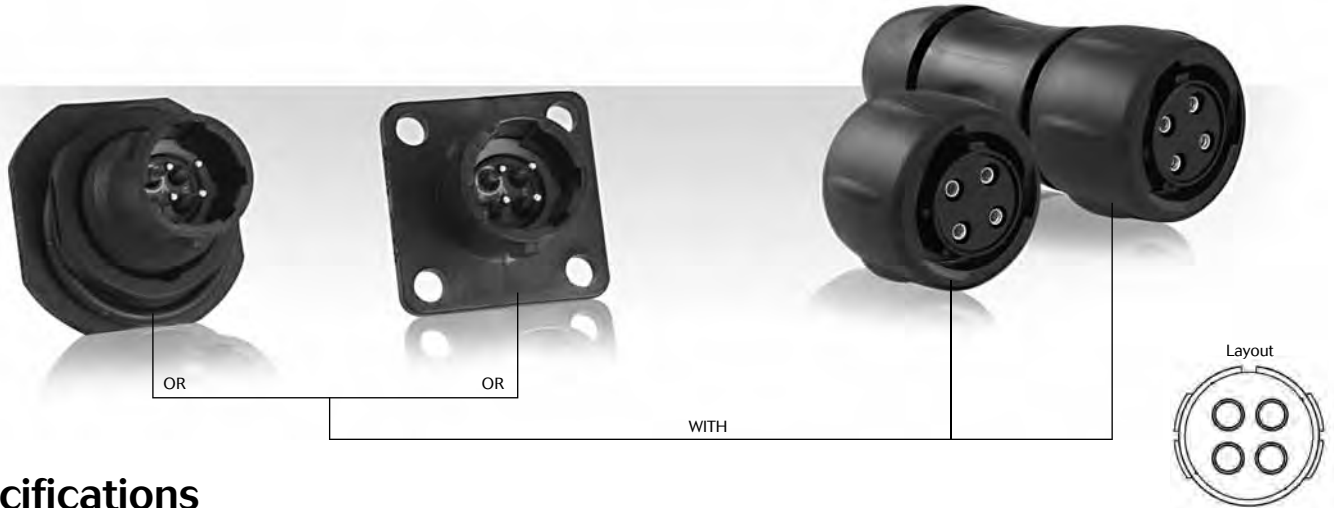
(1): Example of plating, for other plating see page 143

| Electrical characteristics |
|---|
| <p>UL 23A 600V UL94 V-0</p> <p>CSA 23A 600V UL94 V-0</p> <p>IEC 32A 300V 4kV 3</p> |



UTS Series

8E4/8D4



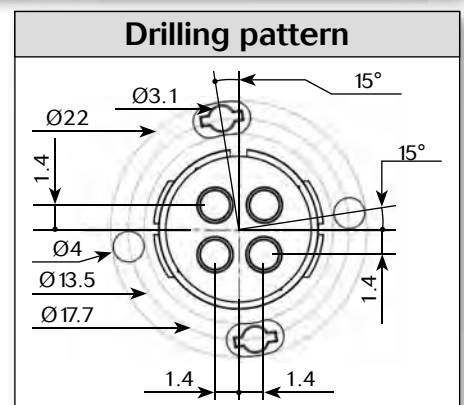
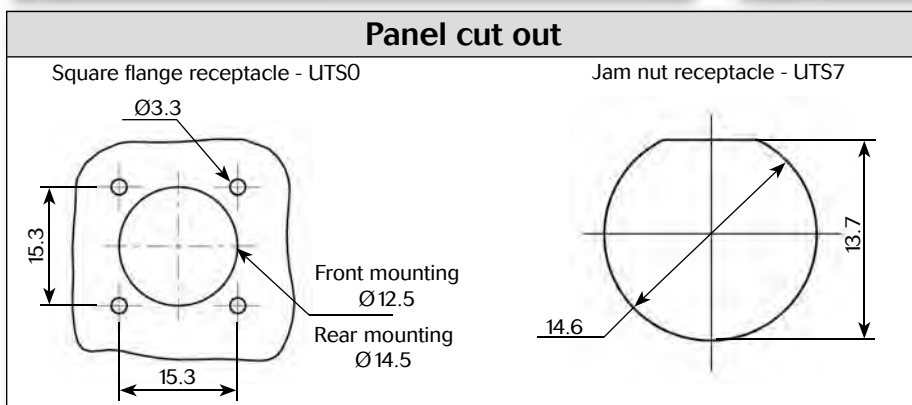
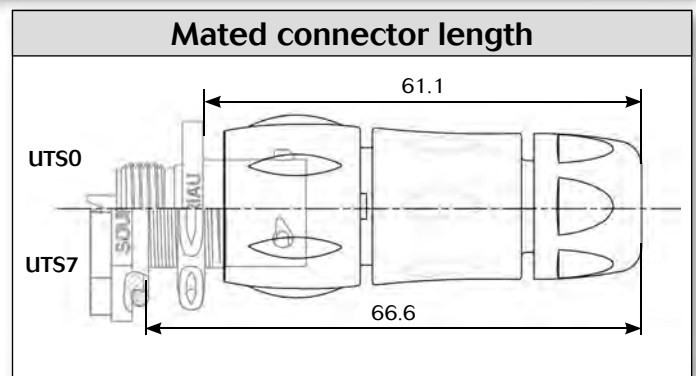
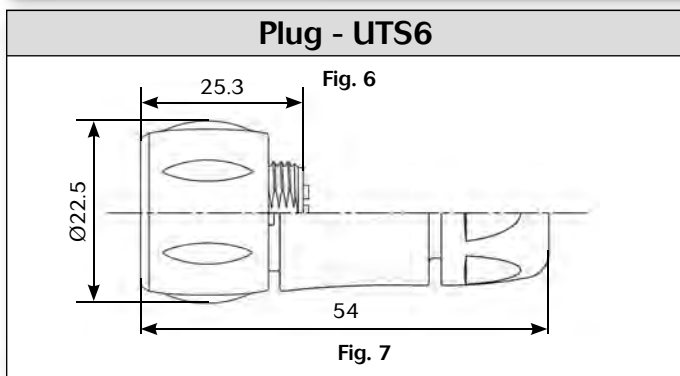
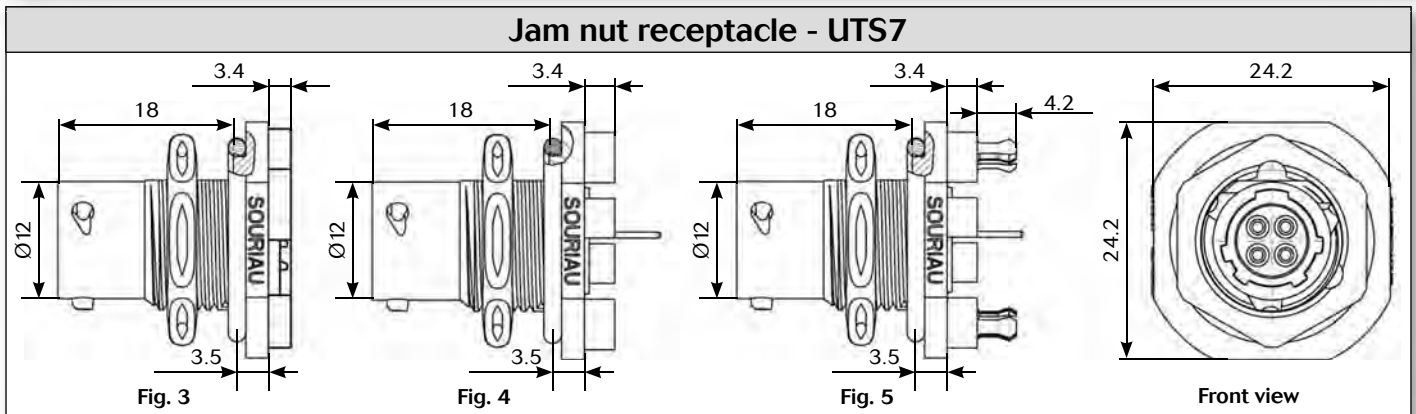
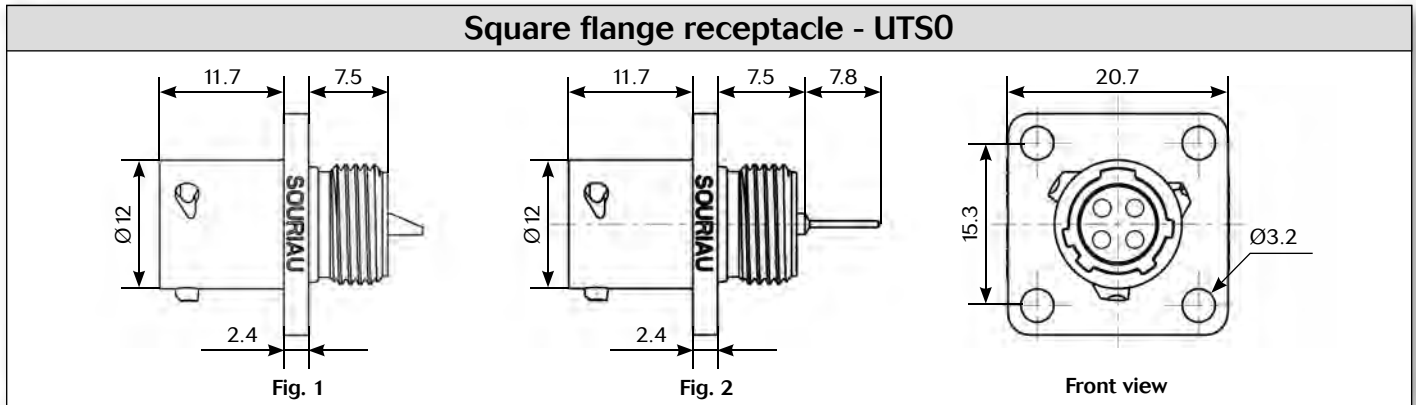
Specifications

| Contact type | Connector type | Backshell | Part number | |
|--|--|---------------------|-------------|---------------|
| | | | Male insert | Female insert |
| Hand solder electrical contacts loaded | Square flange receptacle | Without (Fig.1) | UTS08E4P | UTS08E4S |
| | Plug | Without (Fig.6) | UTS68E4P | UTS68E4S |
| | | Cable gland (Fig.7) | UTS6JC8E4P | UTS6JC8E4S |
| | Jam nut receptacle | Without (Fig.3) | UTS78E4P | UTS78E4S |
| PCB contacts loaded | Square flange receptacle | Without (Fig.2) | UTS08D4P | UTS08D4S |
| | Jam nut receptacle with stand off and with hold down clips | Without (Fig.5) | UTS78D4P32 | UTS78D4S32 |
| | Jam nut receptacle with stand off and without hold down clip | Without (Fig.4) | UTS78D4P | UTS78D4S |

Sealed unmated



Dimensions



Note: all dimensions are in mm



Accessories

Jam nut sealing caps

| | |
|-------------|-------------|
| Part number | Part number |
| UTS8DCG | UTS8DCGR |

Metal terminal

Square flange sealing cap

| |
|-------------|
| Part number |
| UTS8DCGE |

Metal terminal

Plug protective cap

| |
|-------------|
| Part number |
| UTS68C |

IP40

Plastic protective cap

| Part numbers | |
|----------------|----------|
| Receptacle cap | Plug cap |
| 85005585A | 85005594 |

Gasket

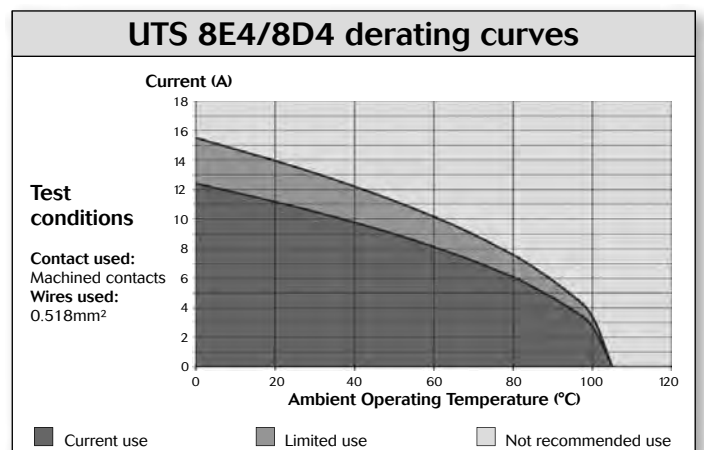
| |
|-------------------------|
| Part numbers / neoprene |
| UTFD11B |

Electrical characteristics

UL
7A 250V UL94 HB

CSA
7A 250V UL94 HB

IEC
7A 32V 1.5kV 3



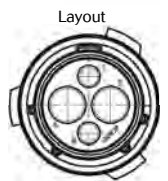
UTS Series

8E4/8D4



UTS Series

102W2 (2x#12 + 2x#20)



Specifications

| Contact type | Connector type | Backshell | Part number | |
|--|-------------------------|---------------------|--------------|---------------|
| | | | Male insert | Female insert |
| Crimp contacts supply separately see page 67 | Free hanging receptacle | Cable gland (Fig.1) | UTS1JC102W2P | UTS1JC102W2S |
| | Plug | Without (Fig.2) | UTS6102W2P | UTS6102W2S |
| | Plug | Cable gland (Fig.3) | UTS6JC102W2P | UTS6JC102W2S |
| | Jam nut receptacle | Without (Fig.4) | UTS7102W2P | UTS7102W2S |

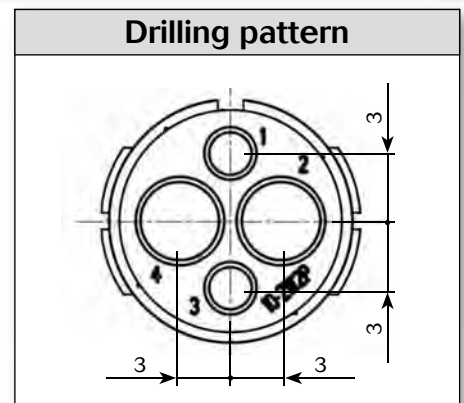
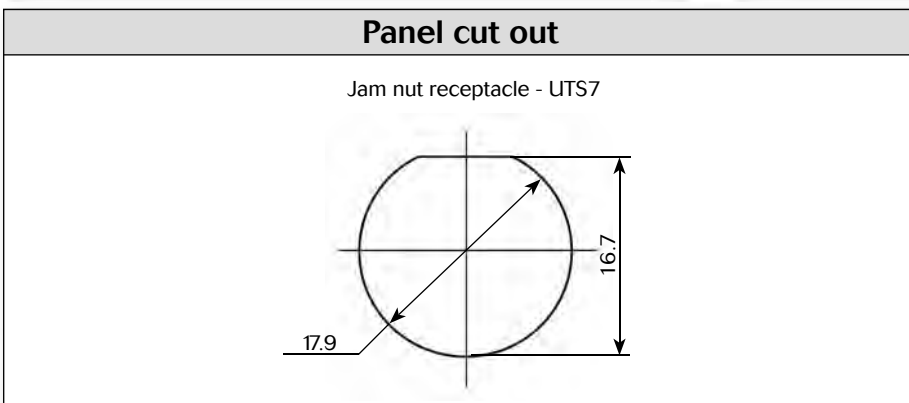
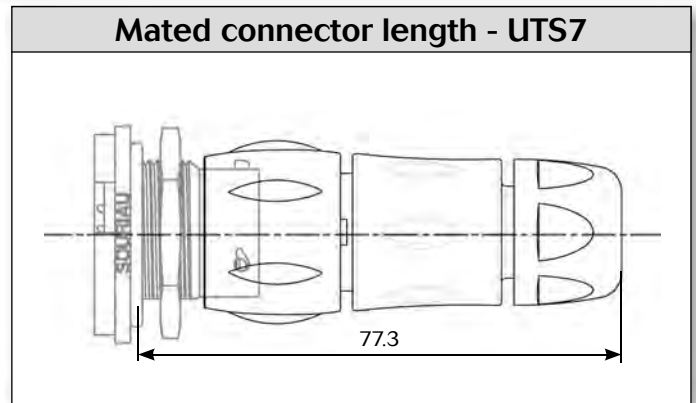
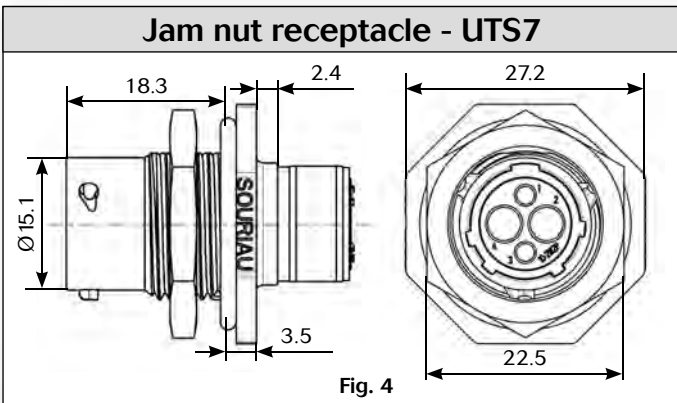
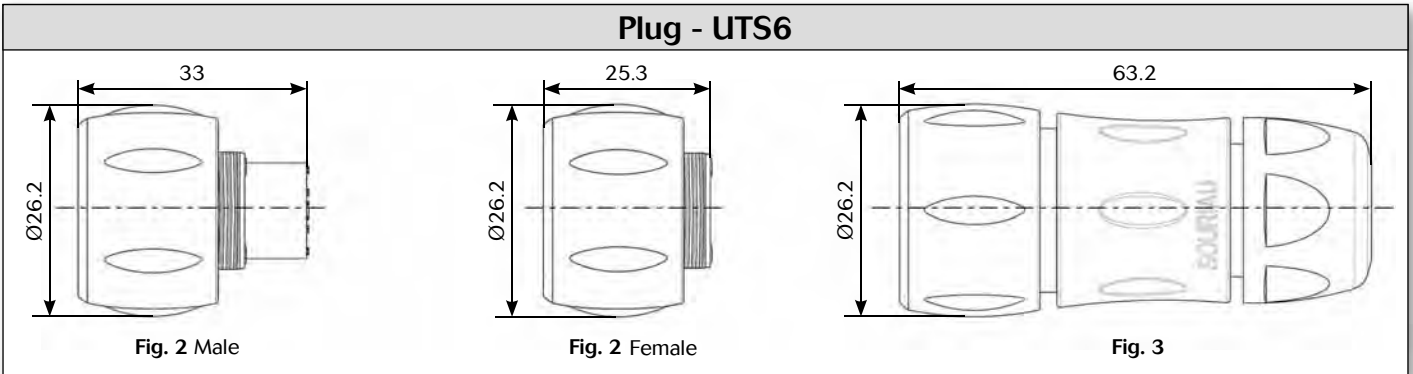
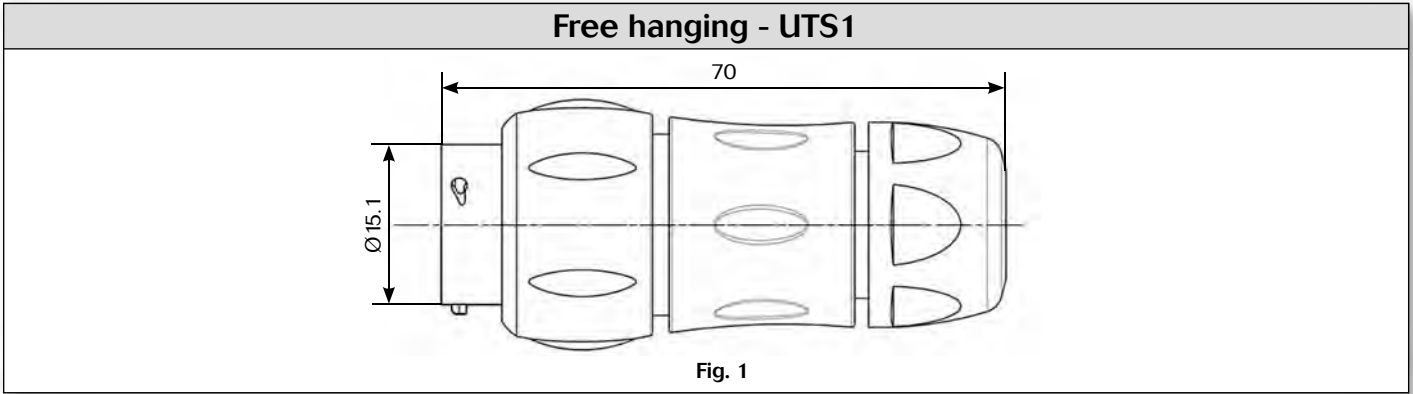
UTS Series

102W2 (2x#12 + 2x#20)



4 contacts
25A/150V
per IEC 61984

Dimensions



Note: all dimensions are in mm


UTS Series

102W2 (2x#12 + 2x#20)




Accessories and tooling

Jam nut sealing caps



| |
|-------------|
| Part number |
| UTS10DCG |



Metal terminal

| |
|-------------|
| Part number |
| UTS10DCGR |

Plug sealing cap




| |
|-------------|
| Part number |
| UTS610DCG |

Plastic protective cap



| Part numbers | |
|----------------|----------|
| Receptacle cap | Plug cap |
| 85005586A | 85005595 |


Gasket




| |
|-------------------------|
| Part numbers / neoprene |
| UTFD12B |

Color coding rings


G for Green



Y for Yellow




R for Red




| Part numbers | |
|--------------|------------|
| Receptacles | Plugs |
| UTS710CCRR | UTS610CCRR |
| UTS710CCRY | UTS610CCRY |
| UTS710CCRG | UTS610CCRG |

* Add G for Green, Y for Yellow, R for Red


Crimp tooling #20



| |
|-------------|
| Part number |
| SHANDLES |




| |
|-------------|
| Part number |
| TOOLKIT |



| Contacts | Contact size | Part number of head |
|-----------------------------|-----------------------------------|---------------------|
| RM/RC 24W3K ⁽¹⁾ | Standard contacts #20 Ø 1mm | S2ORM |
| RM/RC 20W3K ⁽¹⁾ | | S2ORM |
| RM/RC 18W3K ⁽¹⁾ | | S2ORM |
| SM/SC 24W3S ⁽²⁾ | | S20SCM20 |
| SM/SC 24WL3S ⁽³⁾ | | S20SCM20 |
| SM/SC 20W3S ⁽²⁾ | | S20SCM20 |
| SM/SC 20WL3S ⁽³⁾ | S20SCM20 | S20SCM20 |

(1): example of plating, for other plating see UTS catalog page 148
(2): contact reeled (3): loose contact


Crimp tooling #12



| |
|-----------------------|
| Part number hand tool |
| M317 |



| |
|--|
| Part number positioner + locator setting |
| VGE10078A |



| |
|-----------------------------|
| Part number extraction tool |
| 51060210924 |

UTS Series

102W2 (2x#12 + 2x#20)



4 contacts
25A/150V
per IEC 61984

Contacts

| #20 | Contact type | AWG | Part number | | Max insulator Ø |
|-------|----------------------------------|-------------------------|--------------------------|--------------------------|-----------------|
| | | | Male | Female | |
| Crimp | Machined | 26-24 | RM24W3K ⁽¹⁾ | RC24W3K ⁽¹⁾ | 1.58 |
| | | 22-20 | RM20W3K ⁽¹⁾ | RC20W3K ⁽¹⁾ | 1.58 |
| | | 20-18 | RM18W3K ⁽¹⁾ | RC18W3K ⁽¹⁾ | 2.1 |
| | stamped & formed reeled contacts | 26-24 | SM24W3TK6 ⁽²⁾ | SC24W3TK6 ⁽²⁾ | 0.89-1.58 |
| | | 26-24 | SM24W3S26 ⁽²⁾ | SC24W3S25 ⁽²⁾ | 0.89-1.58 |
| | | 22-20 | SM20W3TK6 ⁽²⁾ | SC20W3TK6 ⁽²⁾ | 1.17-2.08 |
| | | 22-20 | SM20W3S26 ⁽²⁾ | SC20W3S25 ⁽²⁾ | 1.17-2.08 |
| | PCB | Machined ⁽³⁾ | - | RMW5016K | RCW5016K |
| #12 | | | | | |
| Crimp | Machined | 22 | 82911457NA | 82911456A | 4.9 |
| | | 20 | 82911459NA | 82911458A | |
| | | 18 | 82911461NA | 82911460A | |
| | | 16 | 82911463NA | 82911462A | |
| | | 14 | 82911465NA | 82911464A | |
| | | 12 | 82911467NA | 82911466A | |

(1): Example of plating, for other plating see page 143

(2): Loose piece contact available if putting L. Example: SM20ML1-TK6

(3): For dimensions see page 148

Mechanics

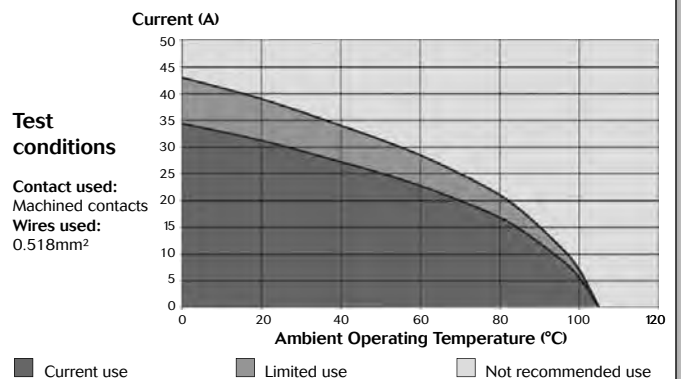
Electrical characteristics

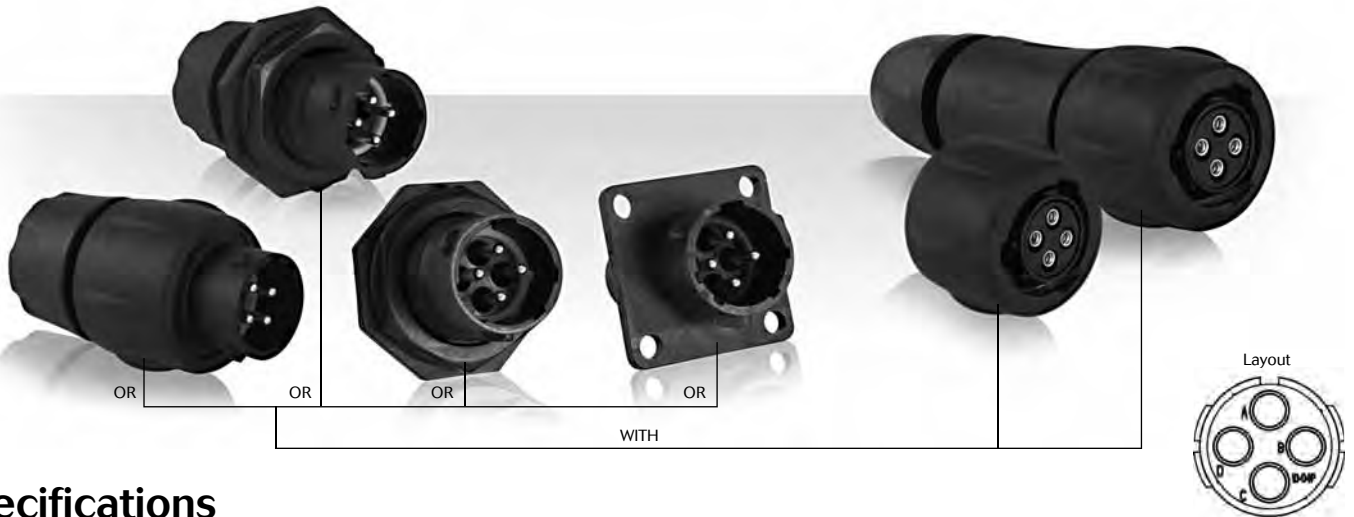
UL
20A 500V UL94 V-0

CSA
18A 500V UL94 V-0

IEC
25A 150V 2.5kV 3
Temperature elevation: 50°C

UTS 102W2 derating curves



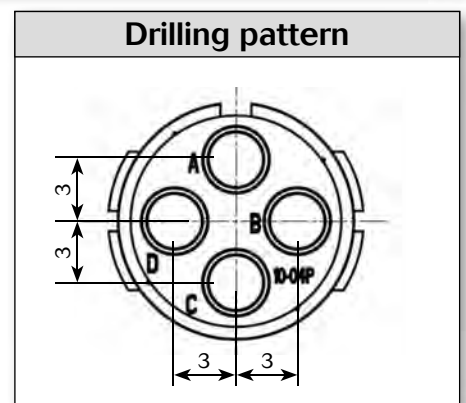
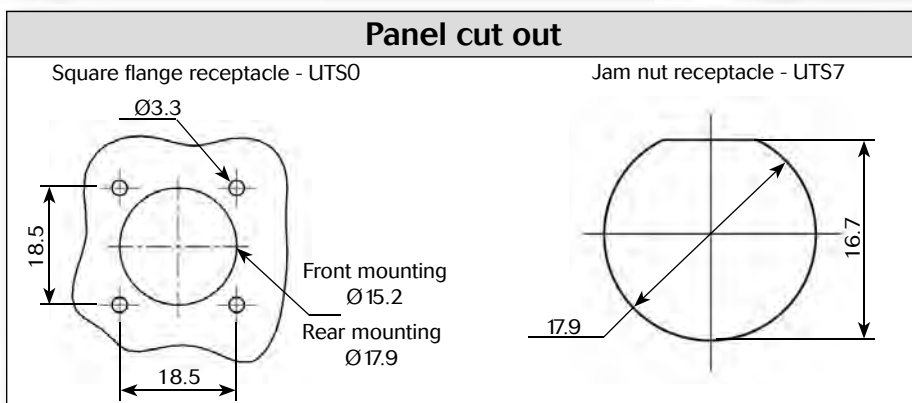
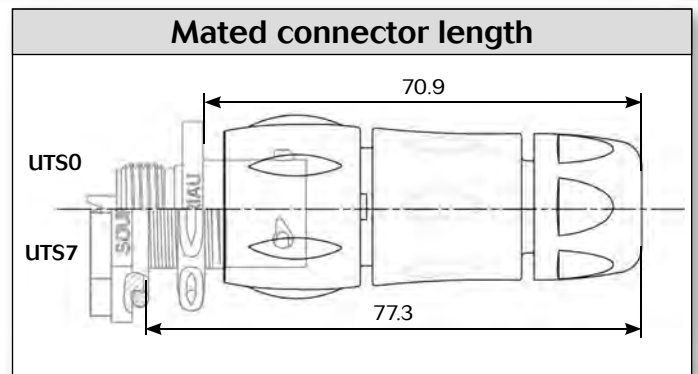
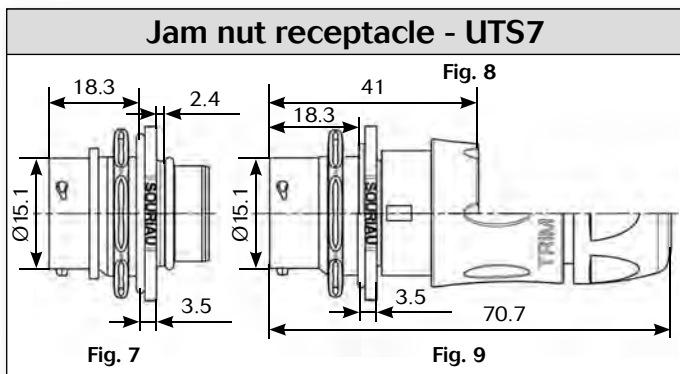
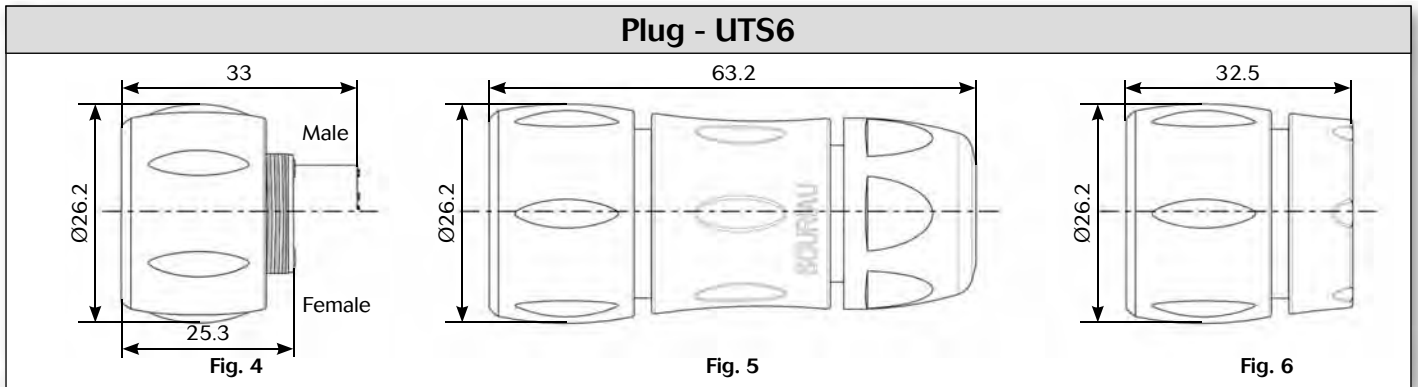
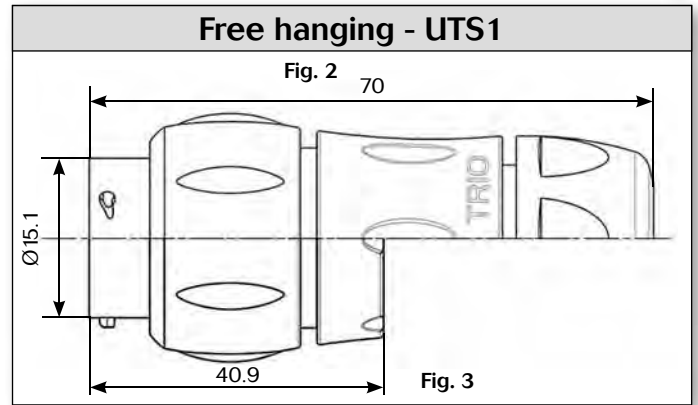
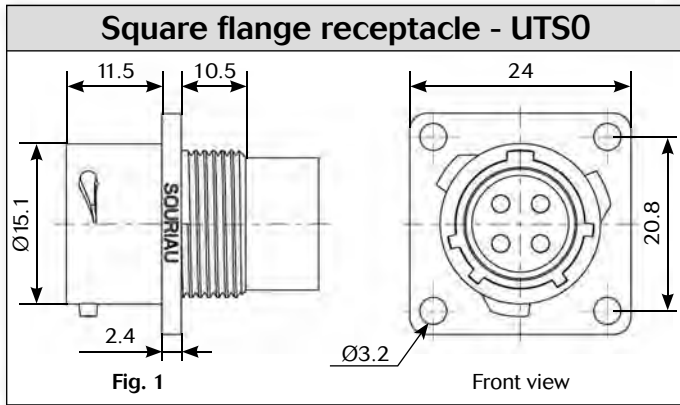


Specifications

| Contact type | Connector type | Backshell | Part number | |
|--|--------------------------|---------------------------------|-------------|---------------|
| | | | Male insert | Female insert |
| Crimp contact supply separately see next page 71 | Square flange receptacle | Without (Fig.1) | UTS0104P | UTS0104S |
| | Free hanging receptacle | Cable gland and grommet (Fig.2) | UTS1GJC104P | |
| | Free hanging receptacle | Nut and grommet (Fig.3) | UTS1GN104P | |
| | Free hanging receptacle | Cable gland (Fig.2) | UTS1JC104P | UTS1JC104S |
| | Plug | Without (Fig.4) | UTS6104P | UTS6104S |
| | Plug | Cable gland and grommet (Fig.5) | | UTS6GJC104S |
| | Plug | Nut and grommet (Fig.6) | | UTS6GN104S |
| | Plug | Cable gland (Fig.5) | UTS6JC104P | UTS6JC104S |
| | Jam nut receptacle | Without (Fig.7) | UTS7104P | UTS7104S |
| | Jam nut receptacle | Cable gland and grommet (Fig.9) | UTS7GJC104P | |
| | Jam nut receptacle | Nut and grommet (Fig.8) | UTS7GN104P | |





Dimensions



Note: all dimensions are in mm



Accessories and tooling

| Jam nut sealing caps | |
|---|---|
|  |  |
| Part number | Part number |
| UTS10DCG | UTS10DCGR |

Metal terminal

| Handle |
|--|
|  |
| Part number |
| SHANGLES |


| Tool kit |
|---|
|  |
| Part number |
| TOOLKIT |





| Plug sealing cap |
|--|
|  |
| Part number |
| UTS610DCG |

| Square flange sealing cap |
|--|
|  |
| Part number |
| UTS10DCGE |


Metal terminal

| Plastic protective cap | |
|---|----------|
|  | |
| Part numbers | |
| Receptacle cap | Plug cap |
| 85005586A | 85005595 |

| Gasket |
|---|
|  |
| Part numbers / neoprene |
| UTFD12B |

| Color coding rings | | | | | | | | | | | | |
|--------------------|---|--|--------------|--|-------------|-------|------------|------------|------------|------------|------------|------------|
| G for Green |  | <table border="1"> <thead> <tr> <th colspan="2">Part numbers</th> </tr> <tr> <th>Receptacles</th> <th>Plugs</th> </tr> </thead> <tbody> <tr> <td>UTS710CCRR</td> <td>UTS610CCRR</td> </tr> <tr> <td>UTS710CCRY</td> <td>UTS610CCRY</td> </tr> <tr> <td>UTS710CCRG</td> <td>UTS610CCRG</td> </tr> </tbody> </table> | Part numbers | | Receptacles | Plugs | UTS710CCRR | UTS610CCRR | UTS710CCRY | UTS610CCRY | UTS710CCRG | UTS610CCRG |
| Part numbers | | | | | | | | | | | | |
| Receptacles | Plugs | | | | | | | | | | | |
| UTS710CCRR | UTS610CCRR | | | | | | | | | | | |
| UTS710CCRY | UTS610CCRY | | | | | | | | | | | |
| UTS710CCRG | UTS610CCRG | | | | | | | | | | | |
| Y for Yellow |  | | | | | | | | | | | |
| R for Red |  | | | | | | | | | | | |
| |  | | | | | | | | | | | |

* Add G for Green, Y for Yellow, R for Red

| Crimp tooling | | | |
|---|-------------------------------------|---------------------|---------|
|  | | | |
| Contacts | Contact size | Part number of head | |
| RM/RC 28M1K ⁽¹⁾ | Standard contacts #16 Ø 1.6mm | S16RCM20 | |
| RM/RC 24M9K ⁽¹⁾ | | S16RCM20 | |
| RM/RC 20M13K ⁽¹⁾ | | S16RCM20 | |
| RM/RC 20M12K ⁽¹⁾ | | S16RCM20 | |
| RM/RC 16M23K ⁽¹⁾ | | S16RCM16 | |
| RM/RC 14M50K ⁽¹⁾ | | S16RCM1450 | |
| RM/RC 14M30K ⁽¹⁾ | | S16RCM14 | |
| SM/SC 24ML1TK6 ⁽¹⁾ | | S16SCM20 | |
| SM/SC 20ML1TK6 ⁽¹⁾ | | S16SCM20 | |
| SM/SC 16ML1TK6 ⁽¹⁾ | | S16SCML1 | |
| SM/SC 14ML1TK6 ⁽¹⁾ | | S16SCML1 | |
| SM/SC 16ML1TK6 ⁽¹⁾ | | S16SCML11 | |
| RMDXK10D28K | | Coaxial contacts | M10S-1J |
| RCDXK1D28K | | | M10S-1J |
| RM/RC DX60xxD28K | | | M10S-1J |
| RM/RC DXK10D28 + york090 | | | M10S-1J |
| RM/RC DX60xxD28 | | M10S-1J | |

(1): example of plating, for other plating see UTS catalog page 143

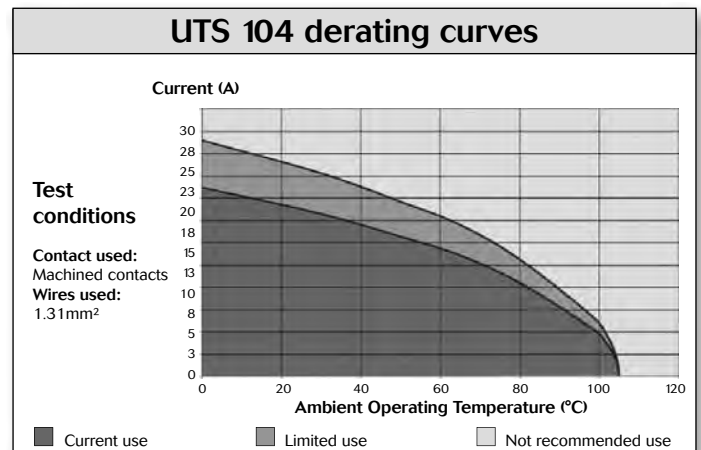


Contacts

| #16 | Contact type | AWG | Part number | | Max wire Ø | Max insulator Ø |
|-------------|---------------------------------------|------------------------------|------------------------------|-----------------------------|------------|-----------------|
| | | | Male | Female | | |
| Crimp | Machined | 30-28 | RM28M1K ⁽¹⁾ | RC28M1K ⁽¹⁾ | 0.55 | 1.1 |
| | | 26-24 | RM24M9K ⁽¹⁾ | RC24M9K ⁽¹⁾ | 0.8 | 1.6 |
| | | 22-20 | RM20M13K ⁽¹⁾ | RC20M13K ⁽¹⁾ | 1.18 | 1.8 |
| | | 22-20 | RM20M12K ⁽¹⁾ | RC20M12K ⁽¹⁾ | 1.18 | 2.2 |
| | | 20-16 | RM16M23K ⁽¹⁾ | RC16M23K ⁽¹⁾ | 1.8 | 3.2 |
| | | 16-14 | RM14M50K ⁽¹⁾ | RC14M50K ⁽¹⁾ | 2.05 | 3.2 |
| | | 16-14 | RM14M30K ⁽¹⁾ | RC14M30K ⁽¹⁾ | 2.28 | 3.2 |
| | Stamped & formed reeled contacts | 26-24 | SM24M1TK6 ⁽¹⁾⁽²⁾ | SC24M1TK6 ⁽¹⁾⁽²⁾ | 0.89-1.28 | - |
| | | 22-20 | SM20M1TK6 ⁽¹⁾⁽²⁾ | SC20M1TK6 ⁽¹⁾⁽²⁾ | 1.17-2.08 | - |
| | | 18-16 | SM16M1TK6 ⁽¹⁾⁽²⁾ | SC16M1TK6 ⁽¹⁾⁽²⁾ | 3.0 | - |
| 18-16 | | SM16M11TK6 ⁽¹⁾⁽²⁾ | SC16M11TK6 ⁽¹⁾⁽²⁾ | 2.0-3.0 | - | |
| 14 | | SM14M1TK6 ⁽¹⁾⁽²⁾ | SC14M1TK6 ⁽¹⁾⁽²⁾ | 3.2 | - | |
| PCB | Machined ⁽³⁾ | - | RM20M12E8K ⁽¹⁾ | RC20M12E84K ⁽¹⁾ | - | - |
| Coaxial | Cable Multipiece | - | RMDXK10D28 | RCDXK1D28 | - | - |
| | Cable Monocrimp | - | RMDX60xxD28 | RCDX60xxD28 | - | - |
| | Twisted pair Multipiece | - | RMDXK10D28 + york090 | RCDXK1D28 + york090 | - | - |
| | Twisted pair Monocrimp | - | RMDX60xxD28 | RCDX60xxD28 | - | - |
| Fiber optic | POF contacts Plastic optical fibre | - | RMPOF1000 | RCPOF1000B | - | - |

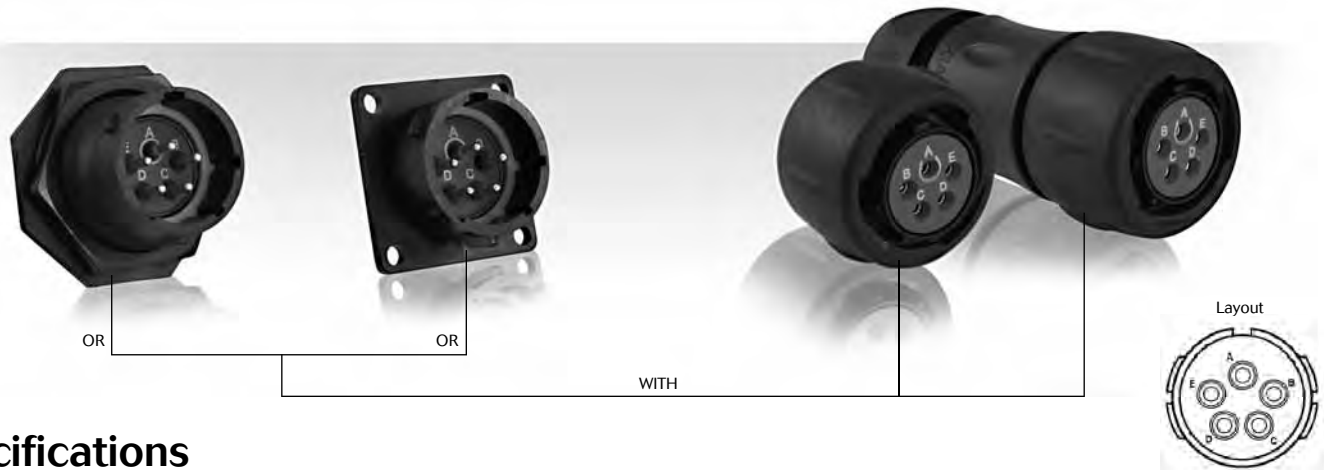
(1): Example of plating, for other plating see page 143
 (2): Loose piece contact available if putting L. Example: SM20ML1-TK6
 (3): For dimensions see page 148

| Electrical characteristics |
|--|
| <p>UL 10A 500V UL94 V-0</p> <p>CSA 7A 500V UL94 V-0</p> <p>IEC 13A 150V 2.5kV 3</p> |



UTS Series

14E5/14D5



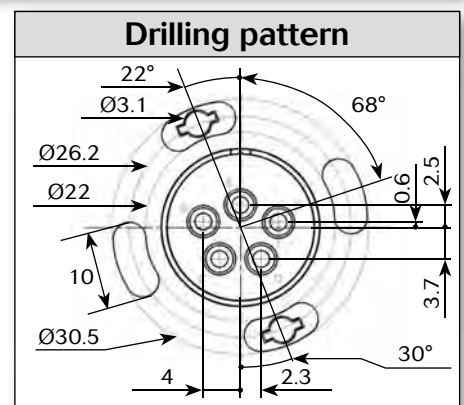
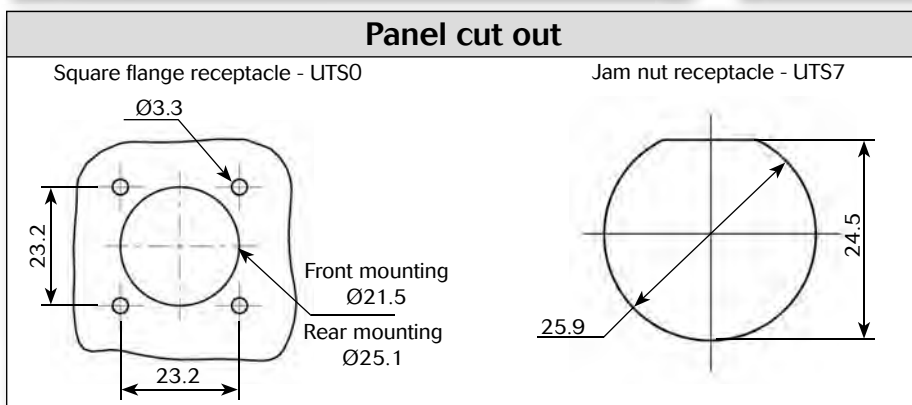
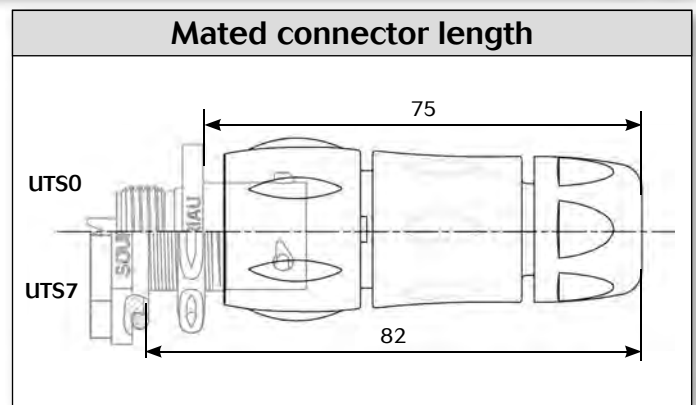
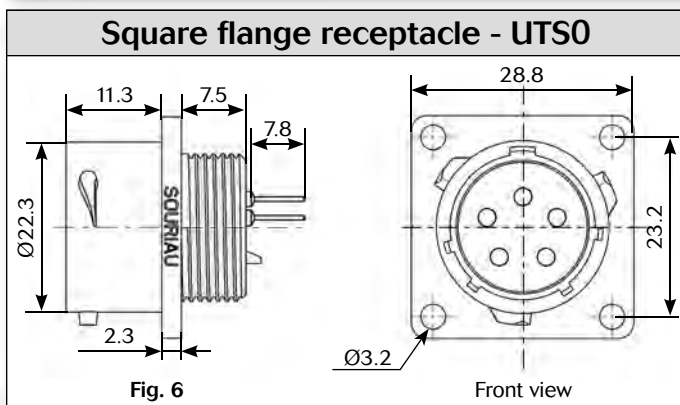
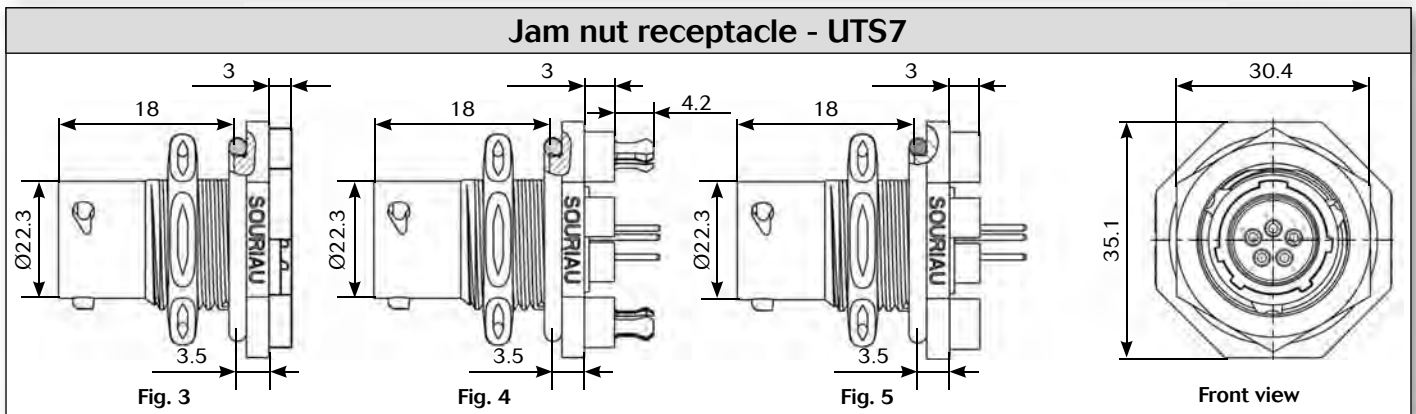
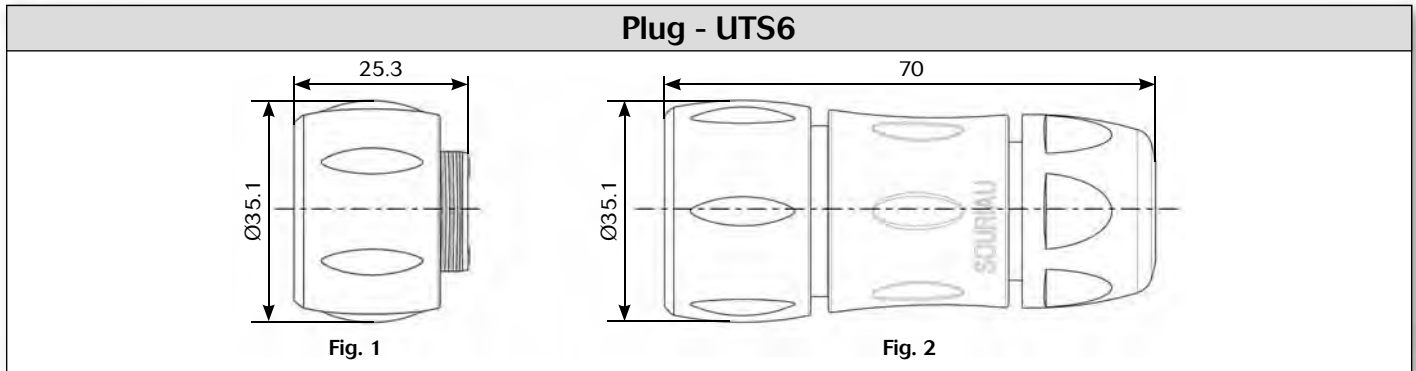
Specifications

| Contact type | Connector type | Backshell | Part number | |
|--|--|---------------------|-------------|---------------|
| | | | Male insert | Female insert |
| Hand solder electrical contacts loaded | Square flange receptacle | Without (Fig.6) | UTS014E5P | UTS014E5S |
| | Plug | Without (Fig.1) | UTS614E5P | UTS614E5S |
| | | Cable gland (Fig.2) | UTS6JC14E5P | UTS6JC14E5S |
| | Jam nut receptacle | Without (Fig.3) | UTS714E5P | UTS714E5S |
| PCB contacts loaded | Square flange receptacle | Without (Fig.6) | UTS014D5P | UTS014D5S |
| | Jam nut receptacle with hold down clips | Without (Fig.4) | UTS714D5P32 | UTS714D5S32 |
| | Jam nut receptacle with stand off and without hold down clip | Without (Fig.5) | UTS714D5P | UTS714D5S |

Sealed unmated



Dimensions



Note: all dimensions are in mm



Accessories

Jam nut sealing caps

Metal terminal

| Part number |
|-------------|
| UTS14DCG |

| Part number |
|-------------|
| UTS14DCGR |

Plug sealing cap

| Part number |
|-------------|
| UTS614DCG |

Square flange sealing cap

Metal terminal

| Part number |
|-------------|
| UTS14DCGE |

Plastic protective cap

| Part numbers | |
|----------------|----------|
| Receptacle cap | Plug cap |
| 85005588A | 85005597 |

Gasket

| Part numbers / neoprene |
|-------------------------|
| UTFD14B |

Color coding rings

G for Green
Y for Yellow
R for Red

| Part numbers | |
|--------------|------------|
| Receptacles | Plugs |
| UTS714CCR | UTS614CCR |
| UTS714CCRY | UTS614CCRY |
| UTS714CCRG | UTS614CCRG |

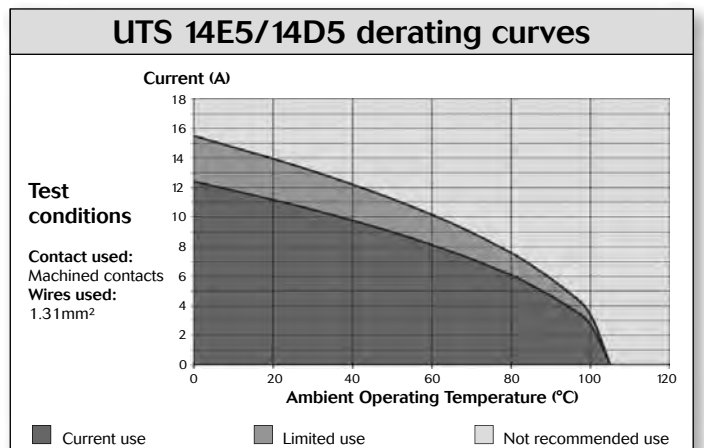
* Add G for Green, Y for Yellow, R for Red

Electrical characteristics

UL
12A 650V UL94 HB

CSA
12A 650V UL94 HB

IEC
16A 150V 2.5kV 3



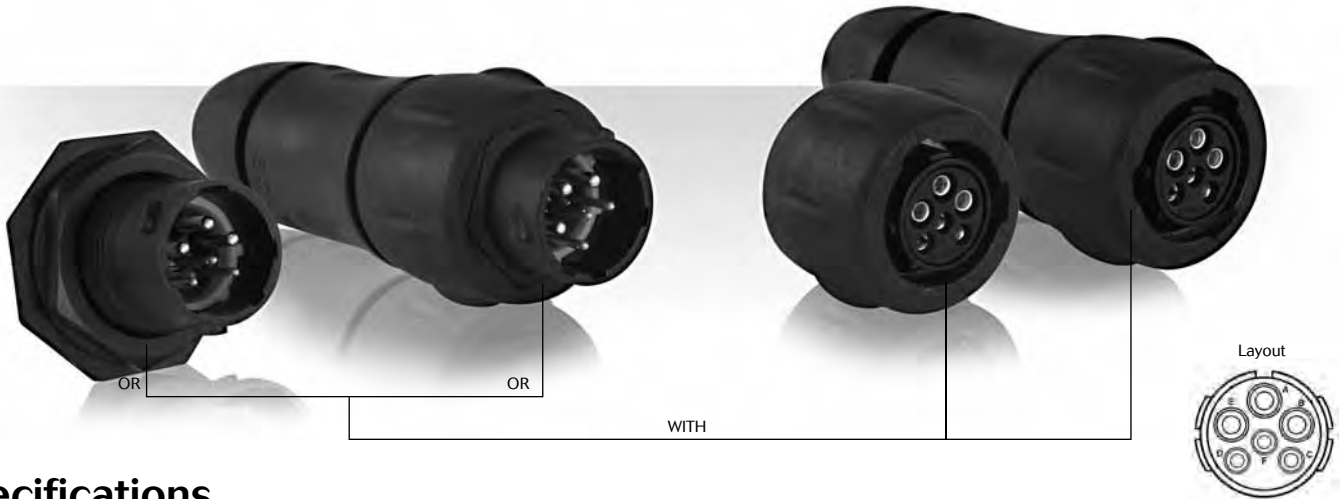
UTS Series

14E5/14D5



UTS Series

103W3 (3x#16 + 3x#20)



Specifications

| Contact type | Connector type | Backshell | Part number | |
|--|--|---------------------|--------------|---------------|
| | | | Male insert | Female insert |
| Crimp contacts supply separately see page 79 | Free hanging receptacle | Cable gland (Fig.1) | UTS1JC103W3P | UTS1JC103W3S |
| | Plug | Without (Fig.2) | UTS6103W3P | UTS6103W3S |
| | Plug | Cable gland (Fig.3) | UTS6JC103W3P | UTS6JC103W3S |
| | Jam nut receptacle | Without (Fig.4) | UTS7103W3P | UTS7103W3S |
| PCB contacts supply separately see page 79 | Jam nut receptacle with stand off and without hold down clip | Without (Fig.4) | UTS7103W3P | UTS7103W3S |

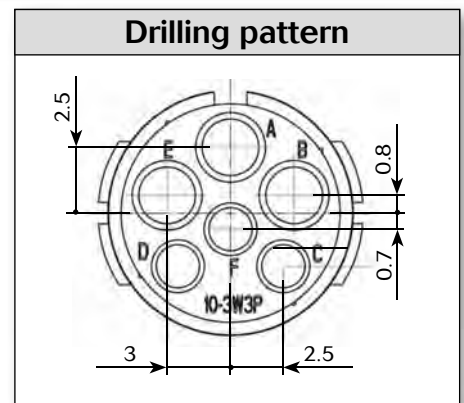
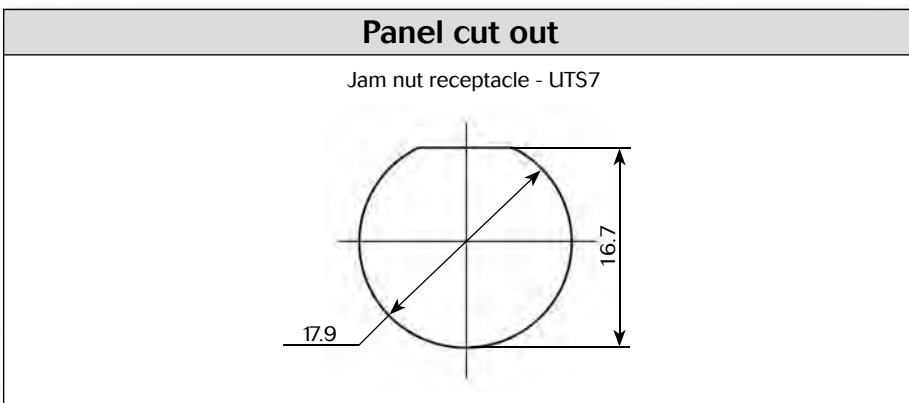
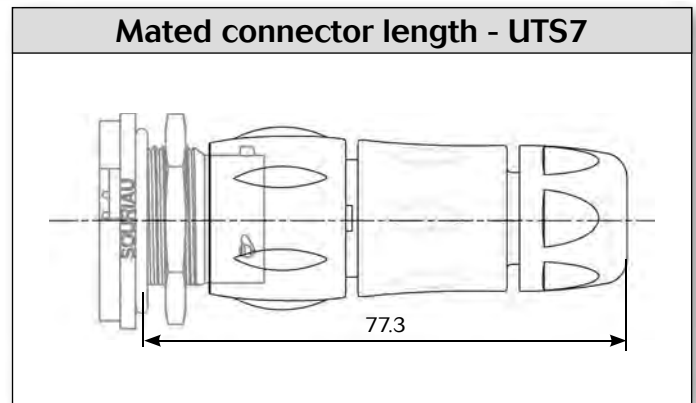
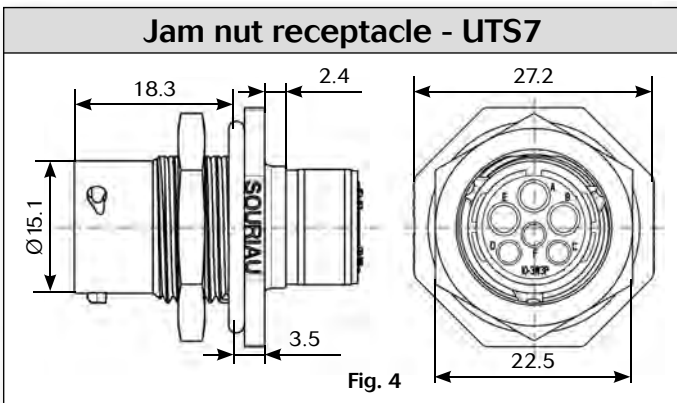
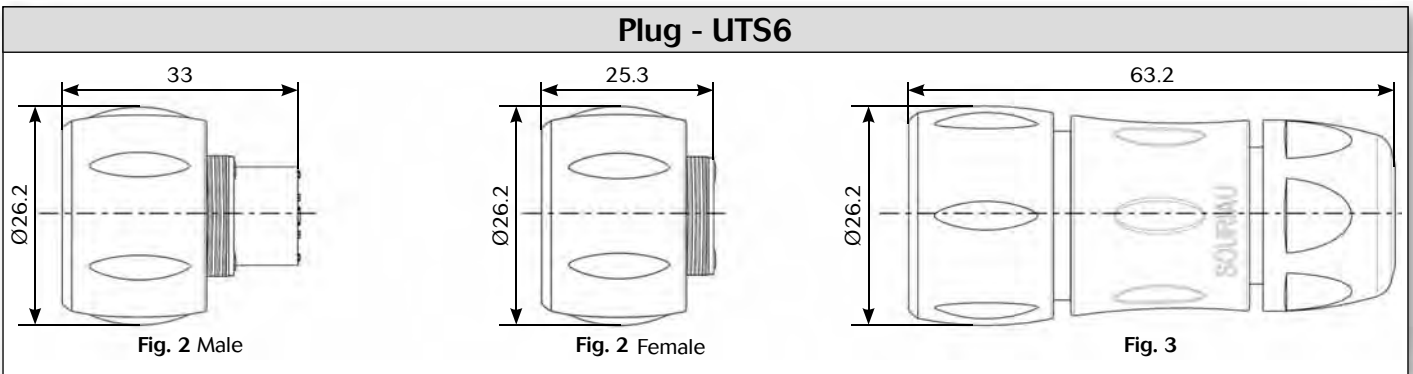
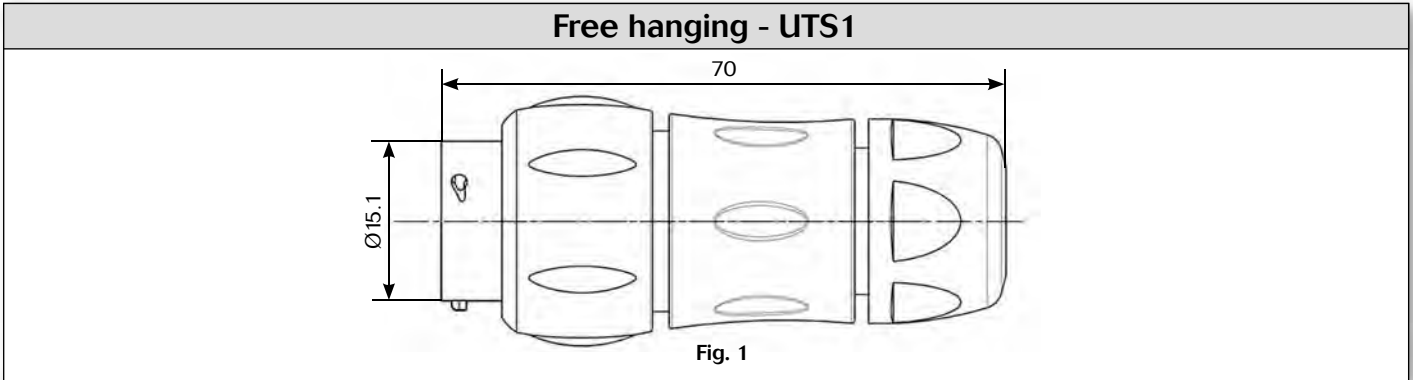
UTS Series

103W3 (3x#16 + 3x#20)



6 contacts
5A/32V
per IEC 61984

Dimensions





Note: all dimensions are in mm

UTS Series

103W3 (3x#16 + 3x#20)



Accessories and tooling

| Jam nut sealing caps | |
|---|---|
|  |  |
| Part number | Part number |
| UTS10DCG | UTS10DCGR |

Metal terminal

| Handle |
|--|
|  |
| Part number |
| SHANGLES |


| Tool kit |
|---|
|  |
| Part number |
| TOOLKIT |




| Plug sealing cap |
|--|
|  |
| Part number |
| UTS610DCG |

| Square flange sealing cap |
|--|
|  |
| Part number |
| UTS10DCGE |

Metal terminal

| Plastic protective cap | |
|---|----------|
|  | |
| Part numbers | |
| Receptacle cap | Plug cap |
| 85005586A | 85005595 |

| Gasket |
|---|
|  |
| Part numbers / neoprene |
| UTFD12B |

| Color coding rings | |
|--------------------|---|
| G for Green |  |
| Y for Yellow |  |
| R for Red |  |
| Part numbers | |
| Receptacles | Plugs |
| UTS710CCRR | UTS610CCRR |
| UTS710CCRY | UTS610CCRY |
| UTS710CCRG | UTS610CCRG |

* Add G for Green, Y for Yellow, R for Red

| Crimp tooling | | | |
|--------------------------------|-------------------------------------|---------------------|---------|
| Contacts | Contact size | Part number of head | |
| RM/RC 28M1K ⁽¹⁾ | Standard contacts #16 Ø 1.6mm | S16RCM20 | |
| RM/RC 24M9K ⁽¹⁾ | | S16RCM20 | |
| RM/RC 20M13K ⁽¹⁾ | | S16RCM20 | |
| RM/RC 20M12K ⁽¹⁾ | | S16RCM20 | |
| RM/RC 16M23K ⁽¹⁾ | | S16RCM16 | |
| RM/RC 14M50K ⁽¹⁾ | | S16RCM1450 | |
| RM/RC 14M30K ⁽¹⁾ | | S16RCM14 | |
| SM/SC 24ML1TK6 ⁽¹⁾ | | S16SCM20 | |
| SM/SC 20ML1TK6 ⁽¹⁾ | | S16SCM20 | |
| SM/SC 16ML1TK6 ⁽¹⁾ | | S16SCML1 | |
| SM/SC 14ML1TK6 ⁽¹⁾ | | S16SCML1 | |
| SM/SC 16ML11TK6 ⁽¹⁾ | | S16SCML11 | |
| RMDXK10D28K | | Coaxial contacts | M10S-1J |
| RCDXK1D28K | | | M10S-1J |
| RM/RC DX60xxD28K | M10S-1J | | |
| RM/RC DXK10D28 + york090 | M10S-1J | | |
| RM/RC DX60xxD28 | M10S-1J | | |
| RM/RC 24W3K ⁽¹⁾ | Standard contacts #20 Ø 1mm | S20RCM | |
| RM/RC 20W3K ⁽¹⁾ | | S20RCM | |
| RM/RC 18W3K ⁽¹⁾ | | S20RCM | |
| SM/SC 24W3S ⁽²⁾ | | S20SCM20 | |
| SM/SC 24WL3S ⁽³⁾ | | S20SCM20 | |
| SM/SC 20W3S ⁽²⁾ | | S20SCM20 | |
| SM/SC 20WL3S ⁽³⁾ | | S20SCM20 | |

(1): example of plating, for other plating see UTS catalog page 143
 (2): contact reeled
 (3): loose contact

UTS Series

103W3 (3x#16 + 3x#20)



6 contacts
5A/32V
per IEC 61984

Contacts

| #16 | Contact type | AWG | Part number | | Max wire Ø | Max insulator Ø |
|-------------|---------------------------------------|------------------------------|------------------------------|-----------------------------|------------|-----------------|
| | | | Male | Female | | |
| Crimp | Machined | 30-28 | RM28M1K ⁽¹⁾ | RC28M1K ⁽¹⁾ | 0.55 | 1.1 |
| | | 26-24 | RM24M9K ⁽¹⁾ | RC24M9K ⁽¹⁾ | 0.8 | 1.6 |
| | | 22-20 | RM20M13K ⁽¹⁾ | RC20M13K ⁽¹⁾ | 1.18 | 1.8 |
| | | 22-20 | RM20M12K ⁽¹⁾ | RC20M12K ⁽¹⁾ | 1.18 | 2.2 |
| | | 20-16 | RM16M23K ⁽¹⁾ | RC16M23K ⁽¹⁾ | 1.8 | 3.2 |
| | | 16-14 | RM14M50K ⁽¹⁾ | RC14M50K ⁽¹⁾ | 2.05 | 3.2 |
| | | 16-14 | RM14M30K ⁽¹⁾ | RC14M30K ⁽¹⁾ | 2.28 | 3.2 |
| | Stamped & formed reeled contacts | 26-24 | SM24M1TK6 ⁽¹⁾⁽²⁾ | SC24M1TK6 ⁽¹⁾⁽²⁾ | 0.89-1.28 | - |
| | | 22-20 | SM20M1TK6 ⁽¹⁾⁽²⁾ | SC20M1TK6 ⁽¹⁾⁽²⁾ | 1.17-2.08 | - |
| | | 18-16 | SM16M1TK6 ⁽¹⁾⁽²⁾ | SC16M1TK6 ⁽¹⁾⁽²⁾ | 3.0 | - |
| 18-16 | | SM16M11TK6 ⁽¹⁾⁽²⁾ | SC16M11TK6 ⁽¹⁾⁽²⁾ | 2.0-3.0 | - | |
| 14 | | SM14M1TK6 ⁽¹⁾⁽²⁾ | SC14M1TK6 ⁽¹⁾⁽²⁾ | 3.2 | - | |
| PCB | Machined ⁽³⁾ | - | RM20M12E8K ⁽¹⁾ | RC20M12E84K ⁽¹⁾ | - | - |
| Coaxial | Cable Multipiece | - | RMDXK10D28 | RCDXK1D28 | - | - |
| | Cable Monocrimp | - | RMDX60xxD28 | RCDX60xxD28 | - | - |
| | Twisted pair Multipiece | - | RMDXK10D28 + york090 | RCDXK1D28 + york090 | - | - |
| | Twisted pair Monocrimp | - | RMDX60xxD28 | RCDX60xxD28 | - | - |
| Fiber optic | POF contacts Plastic optical fibre | - | RMP0F1000 | RCPOF1000B | - | - |
| #20 | | | | | | |
| Crimp | Machined | 26-24 | RM24W3K ⁽¹⁾ | RC24W3K ⁽¹⁾ | - | 1.58 |
| | | 22-20 | RM20W3K ⁽¹⁾ | RC20W3K ⁽¹⁾ | - | 1.58 |
| | | 20-18 | RM18W3K ⁽¹⁾ | RC18W3K ⁽¹⁾ | - | 2.1 |
| | Stamped & formed reeled contacts | 26-24 | SM24W3TK6 ⁽²⁾ | SC24W3TK6 ⁽²⁾ | - | 0.89-1.58 |
| | | 26-24 | SM24W3S26 ⁽²⁾ | SC24W3S25 ⁽²⁾ | - | 0.89-1.58 |
| | | 22-20 | SM20W3TK6 ⁽²⁾ | SC20W3TK6 ⁽²⁾ | - | 1.17-2.08 |
| | | 22-20 | SM20W3S26 ⁽²⁾ | SC20W3S25 ⁽²⁾ | - | 1.17-2.08 |
| | | PCB | Machined ⁽³⁾ | - | RMW5016K | RCW5016K |

(1): Example of plating, for other plating see page 143 (2): Loose piece contact available if putting L. Example: SM20ML1-TK6 (3): For dimensions see page 148

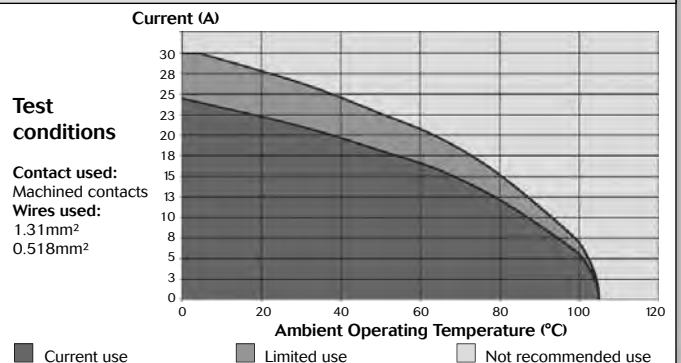
Electrical characteristics

UL
10A 500V UL94 V-0

CSA
7A 500V UL94 V-0

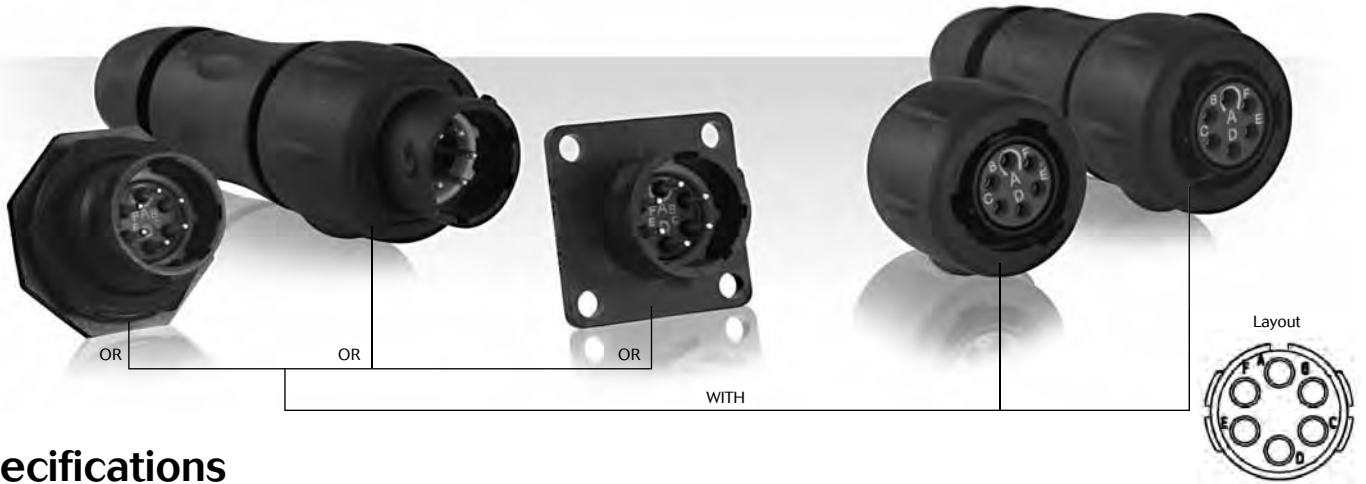
IEC
5A 32V 1.5kV 3
Temperature elevation: 50°C

UTS 103W3 derating curves



UTS Series

106 - 10E6/10D6



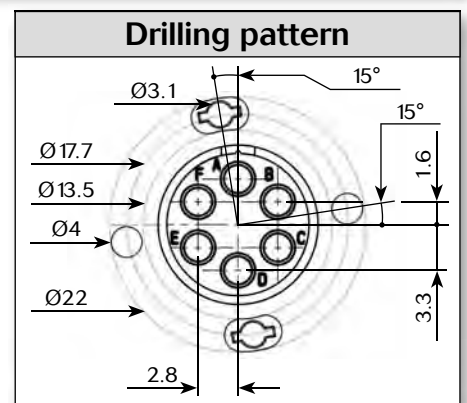
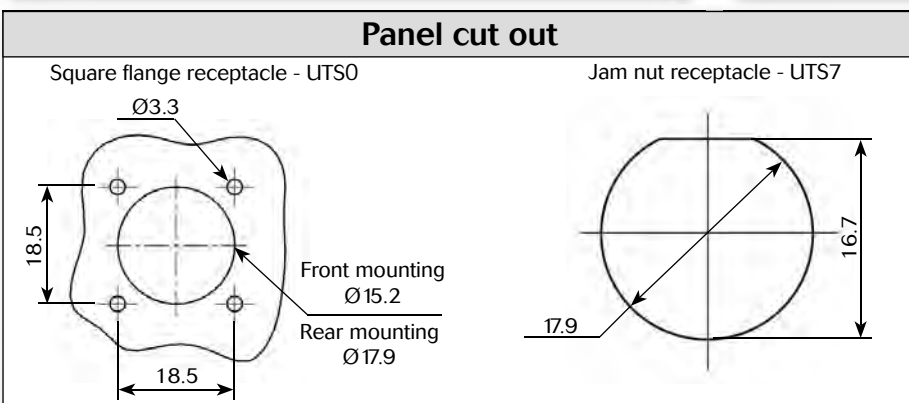
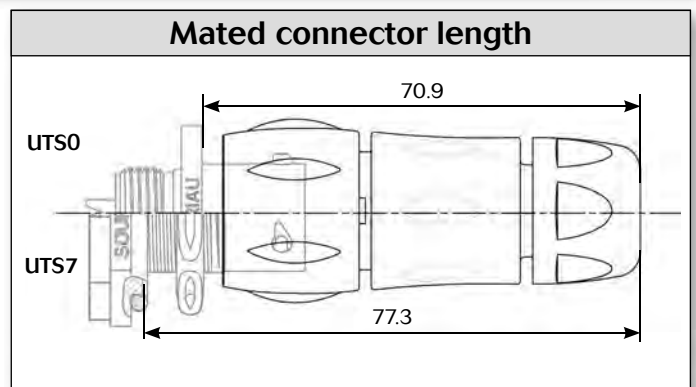
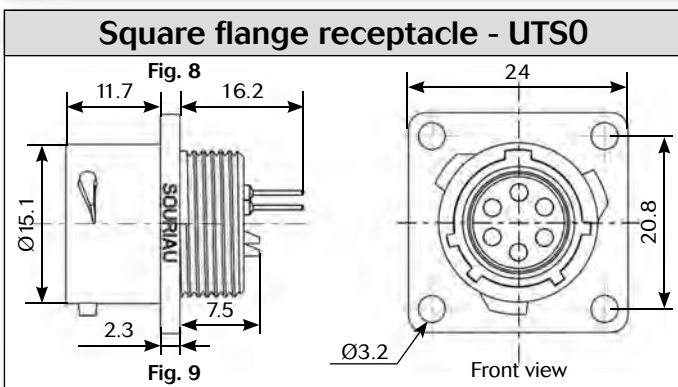
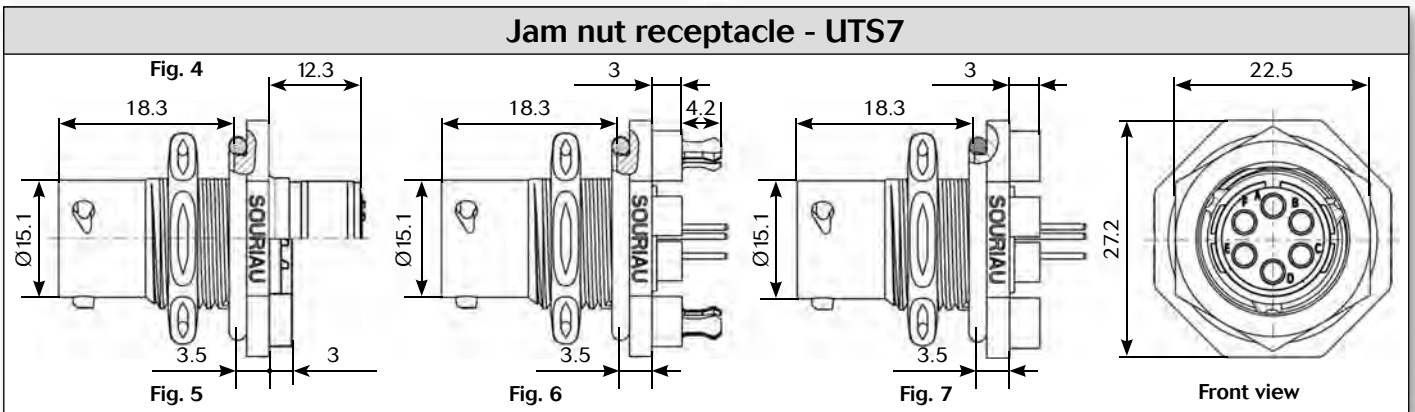
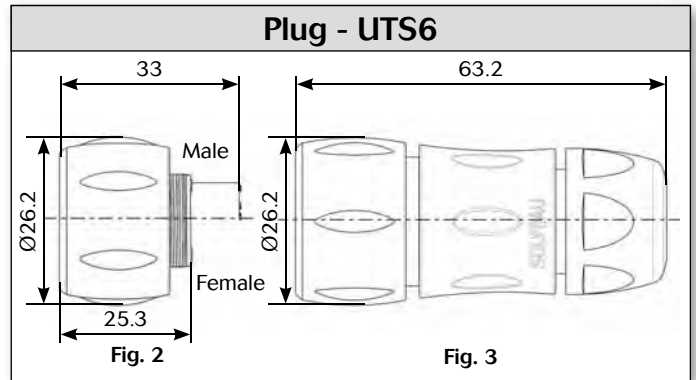
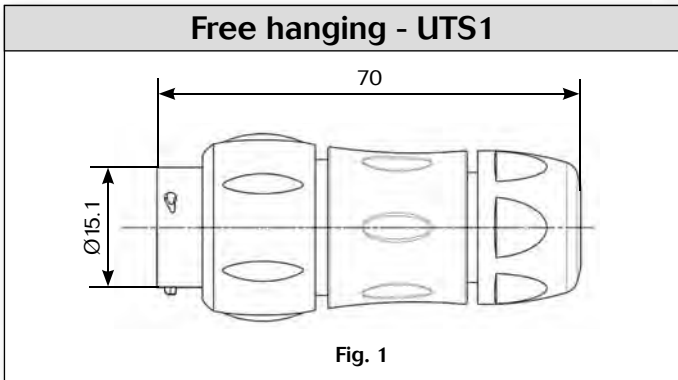
Specifications

| Contact type | Connector type | Backshell | Part number | |
|--|--|---------------------|-------------|---------------|
| | | | Male insert | Female insert |
| Crimp contacts supply separately see page 83 | Free hanging receptacle | Cable gland (Fig.1) | UTS1JC106P | UTS1JC106S |
| | Plug | Without (Fig.2) | UTS6106P | UTS6106S |
| | Plug | Cable gland (Fig.3) | UTS6JC106P | UTS6JC106S |
| | Jam nut receptacle | Without (Fig.4) | UTS7106P | UTS7106S |
| Hand solder electrical contacts loaded | Square flange receptacle | Without (Fig.9) | UTS010E6P | UTS010E6S |
| | Plug | Without (Fig.2) | UTS610E6P | UTS610E6S |
| | | Cable gland (Fig.3) | UTS6JC10E6P | UTS6JC10E6S |
| | Jam nut receptacle | Without (Fig.5) | UTS710E6P | UTS710E6S |
| PCB contacts supply separately see page 83 | Jam nut receptacle | Without (Fig.4) | UTS7106P | UTS7106S |
| PCB contacts loaded | Square flange receptacle | Without (Fig.8) | UTS010D6P | UTS010D6S |
| | Jam nut receptacle with stand off and with hold down clips | Without (Fig.6) | UTS710D6P32 | UTS710D6S32 |
| | Jam nut receptacle with stand off and without hold down clip | Without (Fig.7) | UTS710D6P | UTS710D6S |

Sealed unmatred





Dimensions



Note: all dimensions are in mm




Accessories and tooling

| Jam nut sealing caps | |
|---|---|
|  |  |
| Part number | Part number |
| UTS10DCG | UTS10DCGR |

Metal terminal

| Handle |
|--|
|  |
| Part number |
| SHANDLES |


| Tool kit |
|---|
|  |
| Part number |
| TOOLKIT |


| Plug sealing cap |
|--|
|  |
| Part number |
| UTS610DCG |

| Square flange sealing cap |
|--|
|  |
| Part number |
| UTS10DCGE |




Metal terminal

| Plastic protective cap | |
|---|----------|
|  | |
| Part numbers | |
| Receptacle cap | Plug cap |
| 85005586A | 85005595 |

| Gasket |
|---|
|  |
| Part numbers / neoprene |
| UTFD12B |

| Crimp tooling | | |
|---|-----------------------------------|---------------------|
|  | | |
| Contacts | Contact size | Part number of head |
| RM/RC 24W3K ⁽¹⁾ | Standard contacts #20 Ø 1mm | S20RM |
| RM/RC 20W3K ⁽¹⁾ | | S20RM |
| RM/RC 18W3K ⁽¹⁾ | | S20RM |
| SM/SC 24W3S ⁽²⁾ | | S20SCM20 |
| SM/SC 24WL3S ⁽³⁾ | | S20SCM20 |
| SM/SC 20W3S ⁽²⁾ | | S20SCM20 |
| SM/SC 20WL3S ⁽³⁾ | | S20SCM20 |

(1): example of plating, for other plating see UTS catalog page 143
 (2): contact reeled
 (3): loose contact

| Color coding rings | |
|--------------------|---|
| G for Green |  |
| Y for Yellow |  |
| R for Red |  |
| Part numbers | |
| Receptacles | Plugs |
| UTS710CCRR | UTS610CCRR |
| UTS710CCRY | UTS610CCRY |
| UTS710CCRG | UTS610CCRG |

* Add G for Green, Y for Yellow, R for Red

UTS Series

106 - 10E6/10D6



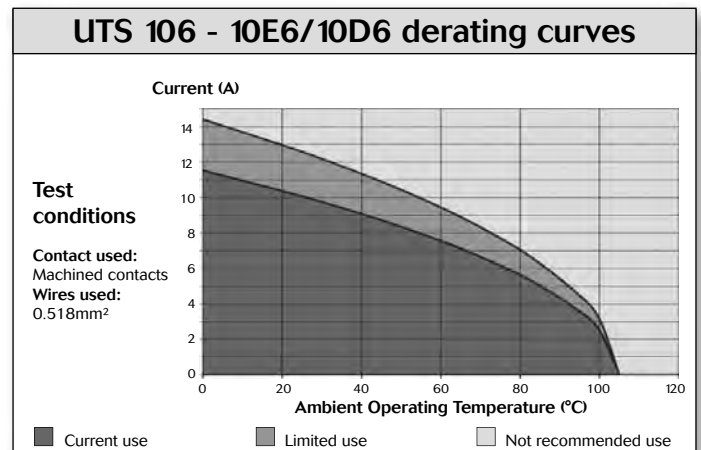
6 contacts
7A/32V
per IEC 61984

Contacts

| #20 | Contact type | AWG | Part number | | Max wire Ø | Max insulator Ø |
|-------|----------------------------------|-------------------------|--------------------------|--------------------------|------------|-----------------|
| | | | Male | Female | | |
| Crimp | Machined | 26-24 | RM24W3K ⁽¹⁾ | RC24W3K ⁽¹⁾ | - | 1.58 |
| | | 22-20 | RM20W3K ⁽¹⁾ | RC20W3K ⁽¹⁾ | - | 1.58 |
| | | 20-18 | RM18W3K ⁽¹⁾ | RC18W3K ⁽¹⁾ | - | 2.1 |
| | stamped & formed reeled contacts | 26-24 | SM24W3TK6 ⁽²⁾ | SC24W3TK6 ⁽²⁾ | - | 0.89-1.58 |
| | | 26-24 | SM24W3TK6 ⁽²⁾ | SC24W3TK6 ⁽²⁾ | - | 0.89-1.58 |
| | | 22-20 | SM20W3TK6 ⁽²⁾ | SC20W3TK6 ⁽²⁾ | - | 1.17-2.08 |
| | | 22-20 | SM20W3TK6 ⁽²⁾ | SC20W3TK6 ⁽²⁾ | - | 1.17-2.08 |
| | PCB | Machined ⁽³⁾ | - | RMW5016K | RCW5016K | - |

(1): Example of plating, for other plating see page 143
 (2): Loose piece contact available if putting L. Example: SM20ML1-TK6
 (3): For dimensions see page 148

| Electrical characteristics | |
|---|--|
| UTS 106 UL 5A 250V UL94 V-0 CSA 4A 250V UL94 V-0 | UTS 10E6/10D6 UL 6A 250V UL94 HB CSA 6A 250V UL94 HB IEC 7A 32V 1.5kV 3 |



UTS Series

10E98/10D98



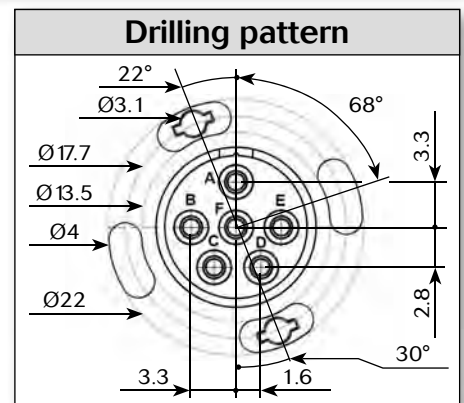
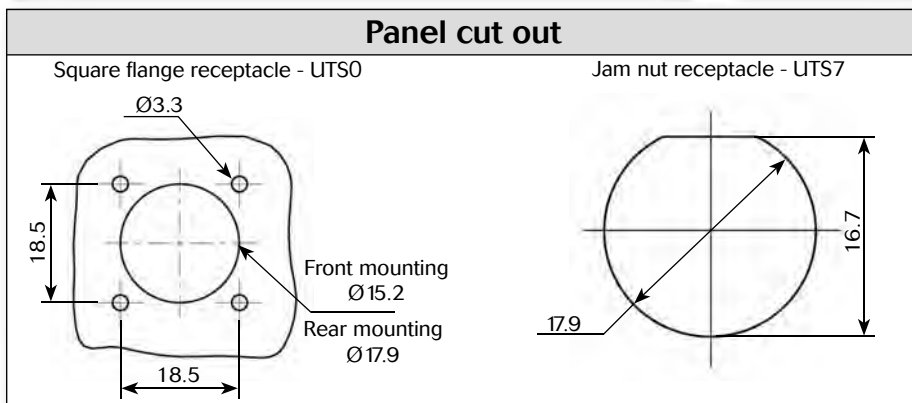
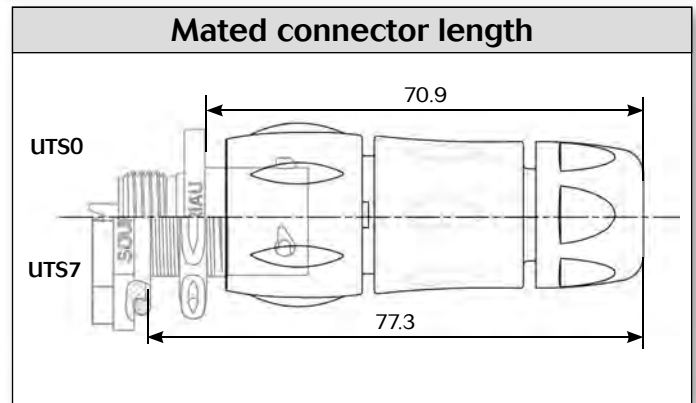
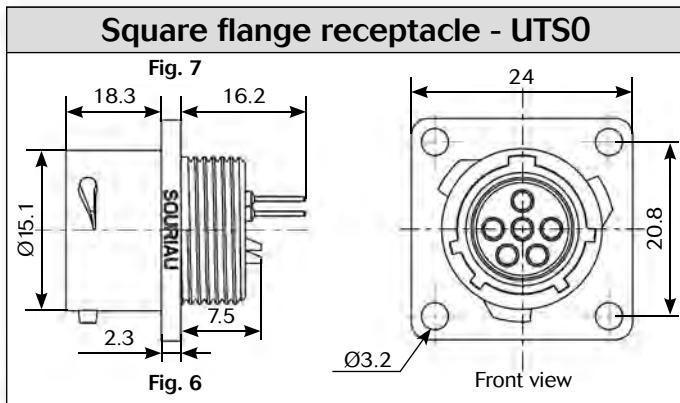
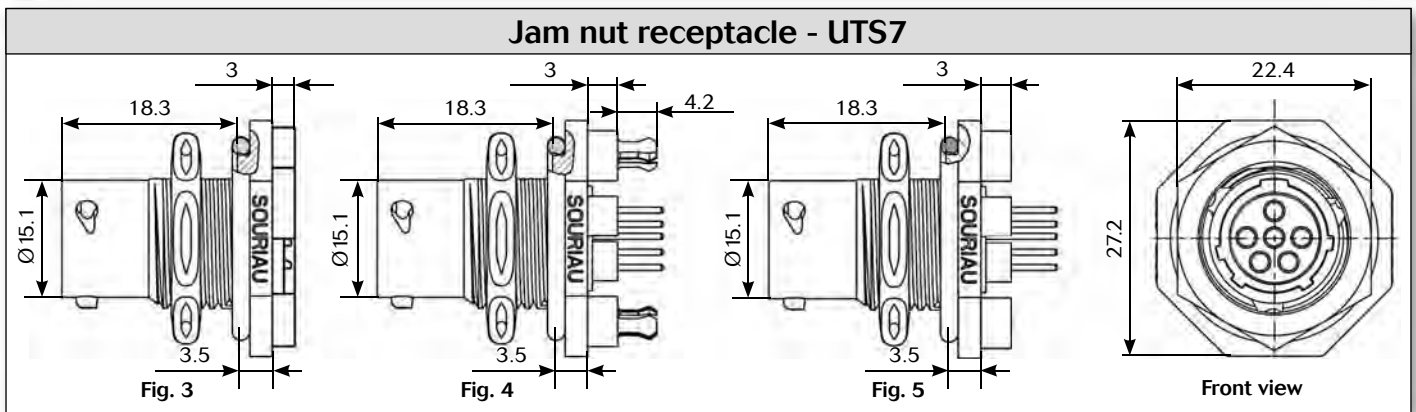
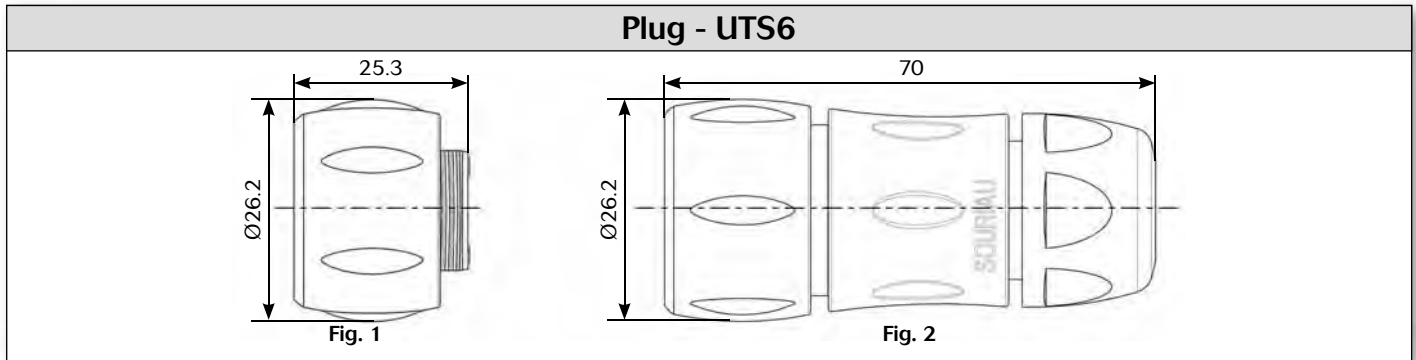
Specifications

| Contact type | Connector type | Backshell | Part number | |
|--|--|---------------------|--------------|---------------|
| | | | Male insert | Female insert |
| Hand solder electrical contacts loaded | Square flange receptacle | Without (Fig.6) | UTS010E98P | UTS010E98S |
| | Plug | Without (Fig.1) | UTS610E98P | UTS610E98S |
| | | Cable gland (Fig.2) | UTS6JC10E98P | UTS6JC10E98S |
| | Jam nut receptacle | Without (Fig.3) | UTS710E98P | UTS710E98S |
| PCB contacts loaded | Square flange receptacle | Without (Fig.7) | UTS010D98P | UTS010D98S |
| | Jam nut receptacle with stand off and with hold down clips | Without (Fig.4) | UTS710D98P32 | UTS710D98S32 |
| | Jam nut receptacle with stand off and without hold down clip | Without (Fig.5) | UTS710D98P | UTS710D98S |

Sealed unsealed



Dimensions





Accessories

Jam nut sealing caps

Metal terminal

| |
|-------------|
| Part number |
| UTS10DCG |

| |
|-------------|
| Part number |
| UTS10DCGR |

Plug protective cap

| |
|-------------|
| Part number |
| UTS610DCG |

Square flange sealing cap

Metal terminal

| |
|-------------|
| Part number |
| UTS10DCGE |

Plastic protective cap

| Part numbers | |
|----------------|----------|
| Receptacle cap | Plug cap |
| 85005586A | 85005595 |

Gasket

| Part numbers / neoprene |
|-------------------------|
| UTFD12B |

Color coding rings

G for Green
Y for Yellow
R for Red

| Part numbers | |
|--------------|------------|
| Receptacles | Plugs |
| UTS710CCR | UTS610CCR |
| UTS710CCRY | UTS610CCRY |
| UTS710CCRG | UTS610CCRG |

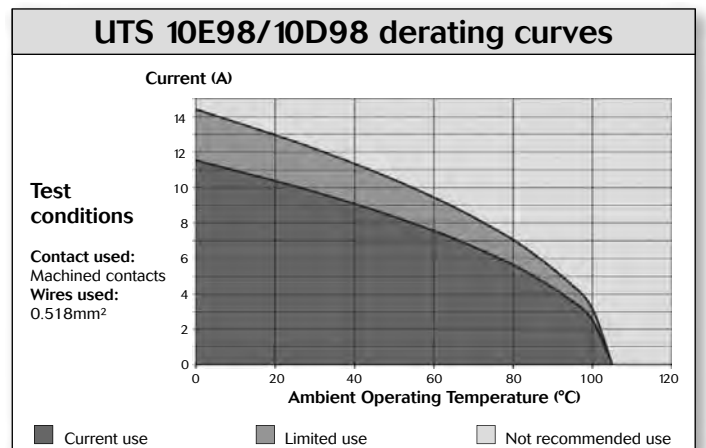
* Add G for Green, Y for Yellow, R for Red

Electrical characteristics

UL
6A 250V UL94 HB

CSA
6A 250V UL94 HB

IEC
7A 50V 1.5kV 3



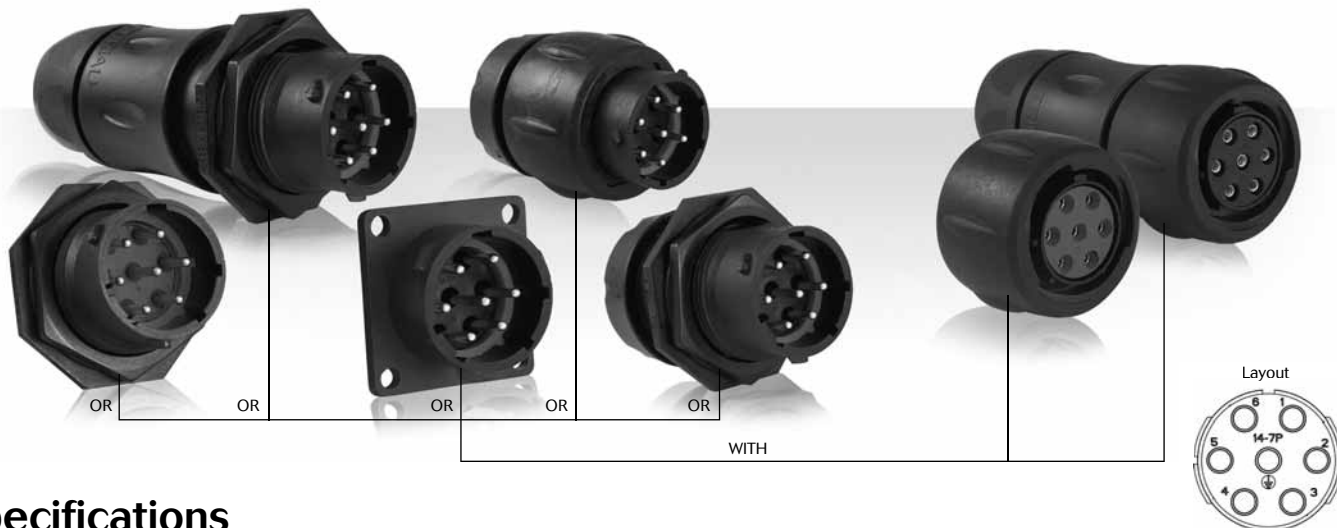
UTS Series

10E98/10D98



UTS Series

147 - 14E7/14D7



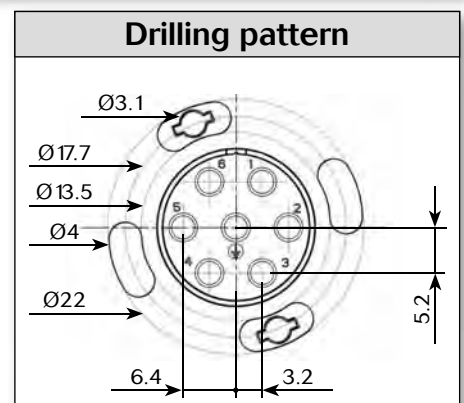
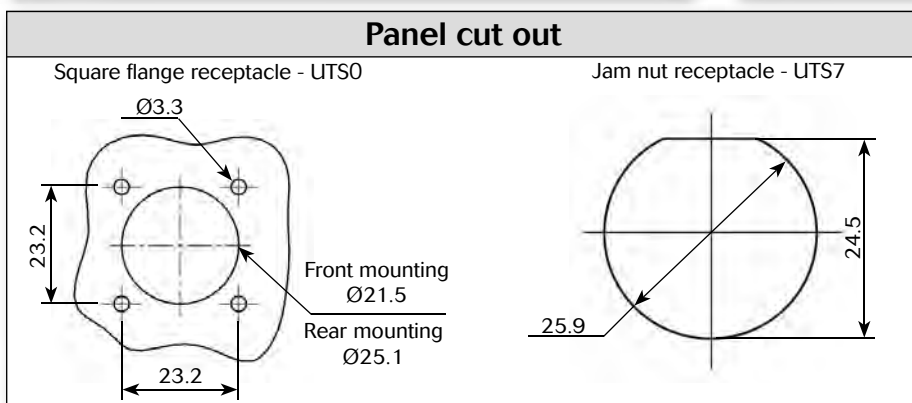
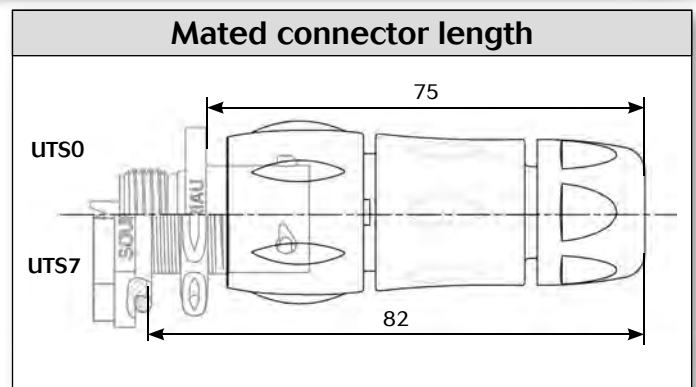
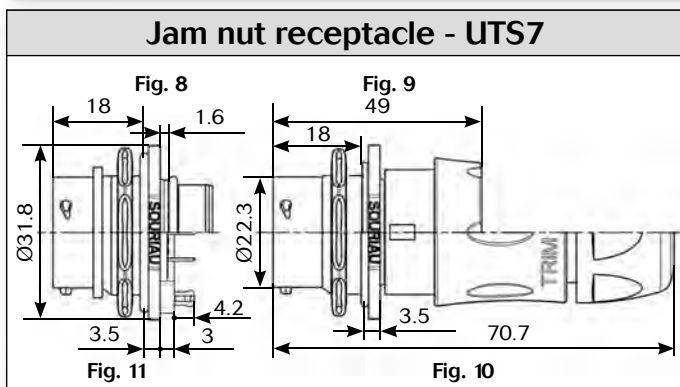
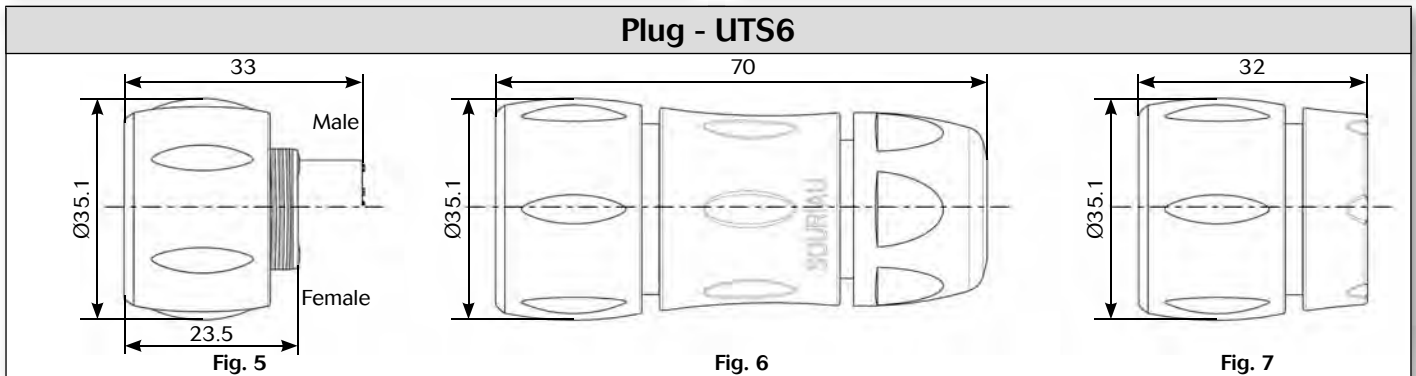
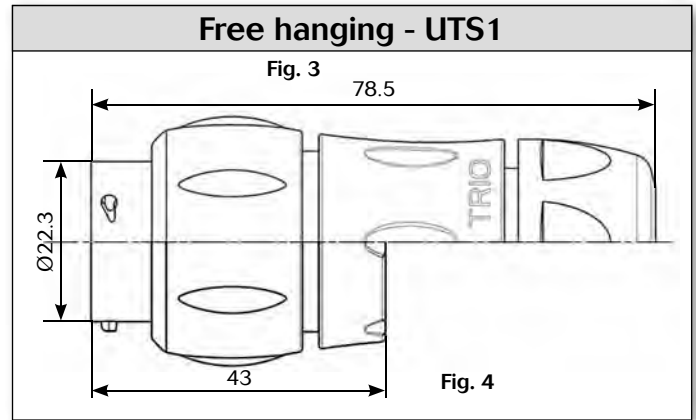
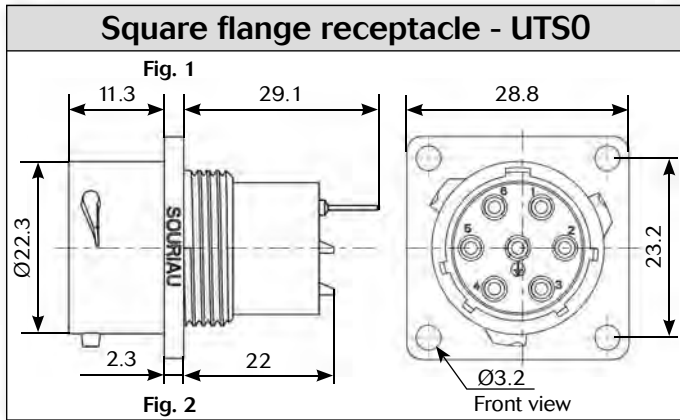
Specifications

| Contact type | Connector type | Backshell | Part number | |
|--|--|--|---------------|---------------|
| | | | Male insert | Female insert |
| Crimp contacts supply separately see page 91 | Square flange receptacle | Without (Fig.2) | UTS0147P | |
| | Free hanging receptacle | Cable gland and grommet (Fig.3) | UTS1GJC147P | |
| | Free hanging receptacle | Nut and grommet (Fig.4) | UTS1GN147P | |
| | Free hanging receptacle | Cable gland (Fig.3) | UTS1JC147P | UTS1JC147S |
| | Plug | Without (Fig.5) | UTS6147P | UTS6147S |
| | Plug | Cable gland and grommet (Fig.6) | | UTS6GJC147S |
| | Plug | Nut and grommet (Fig.7) | | UTS6GN147S |
| | Plug | Cable gland (Fig.6) | UTS6JC147P | UTS6JC147S |
| | Jam nut receptacle | Without (Fig.8) | UTS7147P | UTS7147S |
| | Jam nut receptacle | Cable gland and grommet (Fig.10) | UTS7GJC147P | |
| | Jam nut receptacle | Nut and grommet (Fig.9) | UTS7GN147P | |
| Handsolder electrical contacts loaded | Square flange receptacle | Without (Fig.2) | UTS014E7P | UTS014E7S |
| | Plug | Cable gland (Fig.6) | UTS6JC14E7P | UTS6JC14E7S |
| | Jam nut receptacle | Without (Fig.11) | UTS714E7P | UTS714E7S |
| PCB contacts loaded | Square flange receptacle | Without (Fig.1) | UTS014D7P | UTS014D7S |
| | Jam nut receptacle with stand off and hold down clips | Without (Fig.11) | UTS714D7P32 | UTS714D7S32 |
| | Jam nut receptacle with stand off and without hold down clip | Without (Fig.11) | UTS714D7P | UTS714D7S |
| | Jam nut receptacle | With stand off and hold down clip (Fig.11) | UTS7147PSEK9 | |
| Screw contacts loaded | Jam nut receptacle | Without (Fig.8) | UTS7147PSCR | UTS7147SSCR |
| | Free hanging receptacle | Cable gland (Fig.3) | UTS1JC147PSCR | |
| | Plug | Cable gland (Fig.6) | UTS6JC147PSCR | UTS6JC147SSCR |

Sealed unmatred





Dimensions



Note: all dimensions are in mm



Accessories and tooling

| Jam nut sealing caps | |
|---|---|
|  |  |
| Part number | Part number |
| UTS14DCG | UTS14DCGR |

Metal terminal

| Handle |
|--|
|  |
| Part number |
| SHANGLES |


| Tool kit |
|---|
|  |
| Part number |
| TOOLKIT |




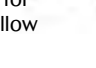
| Plug sealing cap |
|--|
|  |
| Part number |
| UTS614DCG |

| Square flange sealing cap |
|--|
|  |
| Part number |
| UTS14DCGE |




Metal terminal

| Plastic protective cap | |
|---|----------|
|  | |
| Part numbers | |
| Receptacle cap | Plug cap |
| 85005588A | 85005597 |

| Gasket |
|---|
|  |
| Part numbers / neoprene |
| UTFD14B |

| Color coding rings | | | | | | | | | | | | |
|--------------------|---|--|--------------|--|-------------|-------|------------|------------|------------|------------|------------|------------|
| G for Green |  | <table border="1"> <thead> <tr> <th colspan="2">Part numbers</th> </tr> <tr> <th>Receptacles</th> <th>Plugs</th> </tr> </thead> <tbody> <tr> <td>UTS714CCRR</td> <td>UTS614CCRR</td> </tr> <tr> <td>UTS714CCRY</td> <td>UTS614CCRY</td> </tr> <tr> <td>UTS714CCRG</td> <td>UTS614CCRG</td> </tr> </tbody> </table> | Part numbers | | Receptacles | Plugs | UTS714CCRR | UTS614CCRR | UTS714CCRY | UTS614CCRY | UTS714CCRG | UTS614CCRG |
| Part numbers | | | | | | | | | | | | |
| Receptacles | Plugs | | | | | | | | | | | |
| UTS714CCRR | UTS614CCRR | | | | | | | | | | | |
| UTS714CCRY | UTS614CCRY | | | | | | | | | | | |
| UTS714CCRG | UTS614CCRG | | | | | | | | | | | |
| Y for Yellow |  | | | | | | | | | | | |
| R for Red |  | | | | | | | | | | | |
| |  | | | | | | | | | | | |

* Add G for Green, Y for Yellow, R for Red

| Crimp tooling | | | |
|---|--|--|---------|
|  |  |  | |
| Contacts | Contact size | Part number of head | |
| RM/RC 28M1K ⁽¹⁾ | Standard contacts #16 Ø 1.6mm | S16RCM20 | |
| RM/RC 24M9K ⁽¹⁾ | | S16RCM20 | |
| RM/RC 20M13K ⁽¹⁾ | | S16RCM20 | |
| RM/RC 20M12K ⁽¹⁾ | | S16RCM20 | |
| RM/RC 16M23K ⁽¹⁾ | | S16RCM16 | |
| RM/RC 14M50K ⁽¹⁾ | | S16RCM1450 | |
| RM/RC 14M30K ⁽¹⁾ | | S16RCM14 | |
| SM/SC 24ML1TK6 ⁽¹⁾ | | S16SCM20 | |
| SM/SC 20ML1TK6 ⁽¹⁾ | | S16SCM20 | |
| SM/SC 16ML1TK6 ⁽¹⁾ | | S16SCML1 | |
| SM/SC 14ML1TK6 ⁽¹⁾ | | S16SCML1 | |
| SM/SC 16ML11TK6 ⁽¹⁾ | | S16SCML11 | |
| RMDXK10D28K | | Coaxial contacts | M10S-1J |
| RCDXK1D28K | | | M10S-1J |
| RM/RC DX60xxD28K | M10S-1J | | |
| RM/RC DXK10D28 + york090 | M10S-1J | | |
| RM/RC DX60xxD28 | | M10S-1J | |

(1): example of plating, for other plating see UTS catalog page 143

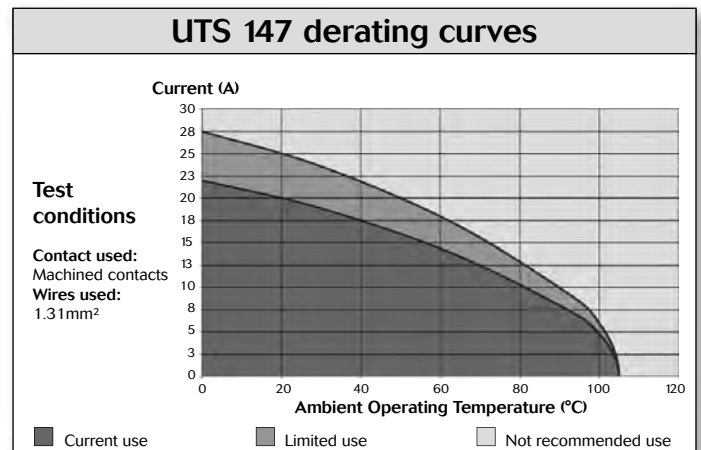


Contacts

| #16 | Contact type | AWG | Part number | | Max wire Ø | Max insulator Ø |
|-------------|---------------------------------------|------------------------------|------------------------------|-----------------------------|------------|-----------------|
| | | | Male | Female | | |
| Crimp | Machined | 30-28 | RM28M1K ⁽¹⁾ | RC28M1K ⁽¹⁾ | 0.55 | 1.1 |
| | | 26-24 | RM24M9K ⁽¹⁾ | RC24M9K ⁽¹⁾ | 0.8 | 1.6 |
| | | 22-20 | RM20M13K ⁽¹⁾ | RC20M13K ⁽¹⁾ | 1.18 | 1.8 |
| | | 22-20 | RM20M12K ⁽¹⁾ | RC20M12K ⁽¹⁾ | 1.18 | 2.2 |
| | | 20-16 | RM16M23K ⁽¹⁾ | RC16M23K ⁽¹⁾ | 1.8 | 3.2 |
| | | 16-14 | RM14M50K ⁽¹⁾ | RC14M50K ⁽¹⁾ | 2.05 | 3.2 |
| | | 16-14 | RM14M30K ⁽¹⁾ | RC14M30K ⁽¹⁾ | 2.28 | 3.2 |
| | Stamped & formed reeled contacts | 26-24 | SM24M1TK6 ⁽¹⁾⁽²⁾ | SC24M1TK6 ⁽¹⁾⁽²⁾ | 0.89-1.28 | - |
| | | 22-20 | SM20M1TK6 ⁽¹⁾⁽²⁾ | SC20M1TK6 ⁽¹⁾⁽²⁾ | 1.17-2.08 | - |
| | | 18-16 | SM16M1TK6 ⁽¹⁾⁽²⁾ | SC16M1TK6 ⁽¹⁾⁽²⁾ | 3.0 | - |
| 18-16 | | SM16M11TK6 ⁽¹⁾⁽²⁾ | SC16M11TK6 ⁽¹⁾⁽²⁾ | 2.0-3.0 | - | |
| 14 | | SM14M1TK6 ⁽¹⁾⁽²⁾ | SC14M1TK6 ⁽¹⁾⁽²⁾ | 3.2 | - | |
| PCB | Machined ⁽³⁾ | - | RM20M12E8K ⁽¹⁾ | RC20M12E84K ⁽¹⁾ | - | - |
| Coaxial | Cable Multipiece | - | RMDXK10D28 | RCDXK1D28 | - | - |
| | Cable Monocrimp | - | RMDX60xxD28 | RCDX60xxD28 | - | - |
| | Twisted pair Multipiece | - | RMDXK10D28 + york090 | RCDXK1D28 + york090 | - | - |
| | Twisted pair Monocrimp | - | RMDX60xxD28 | RCDX60xxD28 | - | - |
| Fiber optic | POF contacts Plastic optical fibre | - | RMPOF1000 | RCPOF1000B | - | - |

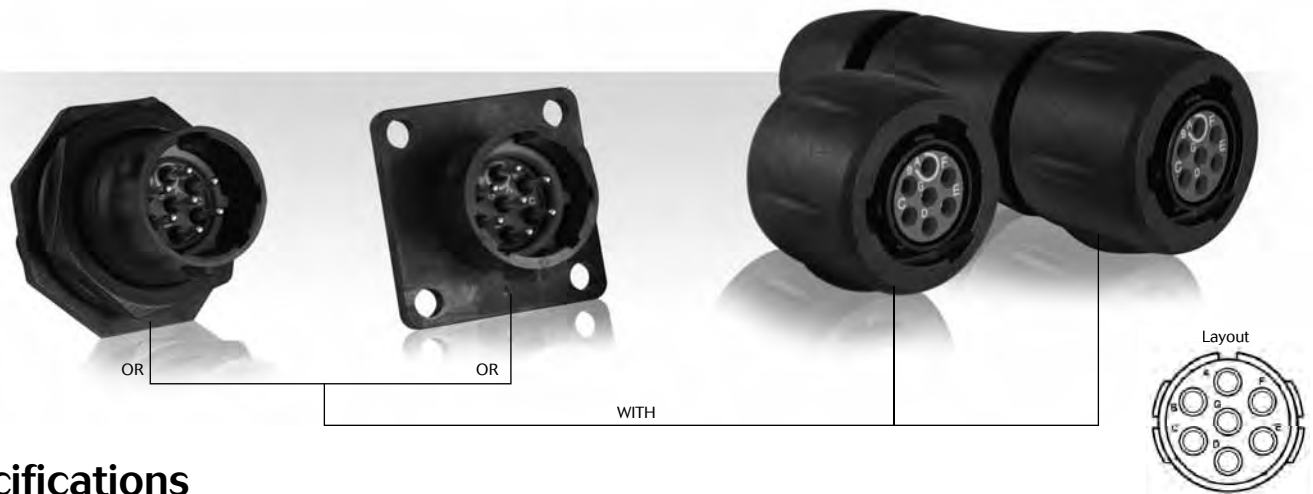
(1): Example of plating, for other plating see page 143
 (2): Loose piece contact available if putting L. Example: SM20ML1-TK6
 (3): For dimensions see page 148

| Electrical characteristics |
|--|
| <p>UL 10A 500V UL94 V-0</p> <p>CSA 7A 500V UL94 V-0</p> <p>IEC 16A 300V 4kV 3 Temperature elevation: 50°C</p> |



UTS Series

10E7/10D7



Specifications

| Contact type | Connector type | Backshell | Part number | |
|--|--|---------------------|-------------|---------------|
| | | | Male insert | Female insert |
| Hand solder electrical contacts loaded | Square flange receptacle | Without (Fig.6) | UTS010E7P | UTS010E7S |
| | Plug | Without (Fig.1) | UTS610E7P | UTS610E7S |
| | | Cable gland (Fig.2) | UTS6JC10E7P | UTS6JC10E7S |
| | Jam nut receptacle | Without (Fig.3) | UTS710E7P | UTS710E7S |
| PCB contacts loaded | Square flange receptacle | Without (Fig.7) | UTS010D7P | UTS010D7S |
| | Jam nut receptacle with stand off and with hold down clips | Without (Fig.4) | UTS710D7P32 | UTS710D7S32 |
| | Jam nut receptacle with stand off and without hold down clip | Without (Fig.5) | UTS710D7P | UTS710D7S |

Sealed unmated



Accessories

Jam nut sealing caps

| | |
|-------------|-------------|
| Part number | Part number |
| UTS10DCG | UTS10DCGR |

Metal terminal

Plug sealing cap

| |
|-------------|
| Part number |
| UTS610DCG |

Square flange sealing cap

| |
|-------------|
| Part number |
| UTS10DCGE |

Metal terminal

Plastic protective cap

| Part numbers | |
|----------------|----------|
| Receptacle cap | Plug cap |
| 85005586A | 85005595 |

Gasket

| Part numbers / neoprene |
|-------------------------|
| UTFD12B |

Color coding rings

G for Green
Y for Yellow
R for Red

| Part numbers | |
|--------------|------------|
| Receptacles | Plugs |
| UTS710CCR | UTS610CCR |
| UTS710CCRY | UTS610CCRY |
| UTS710CCRG | UTS610CCRG |

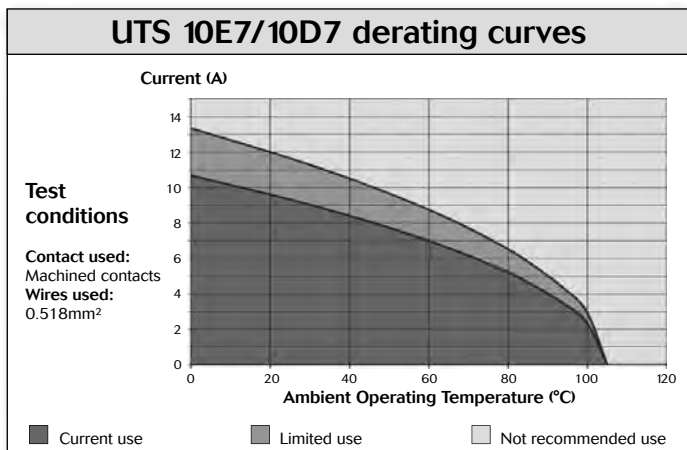
* Add G for Green, Y for Yellow, R for Red

Electrical characteristics

UL
6A 250V UL94 HB

CSA
6A 250V UL94 HB

IEC
7A 50V 1.5kV 3

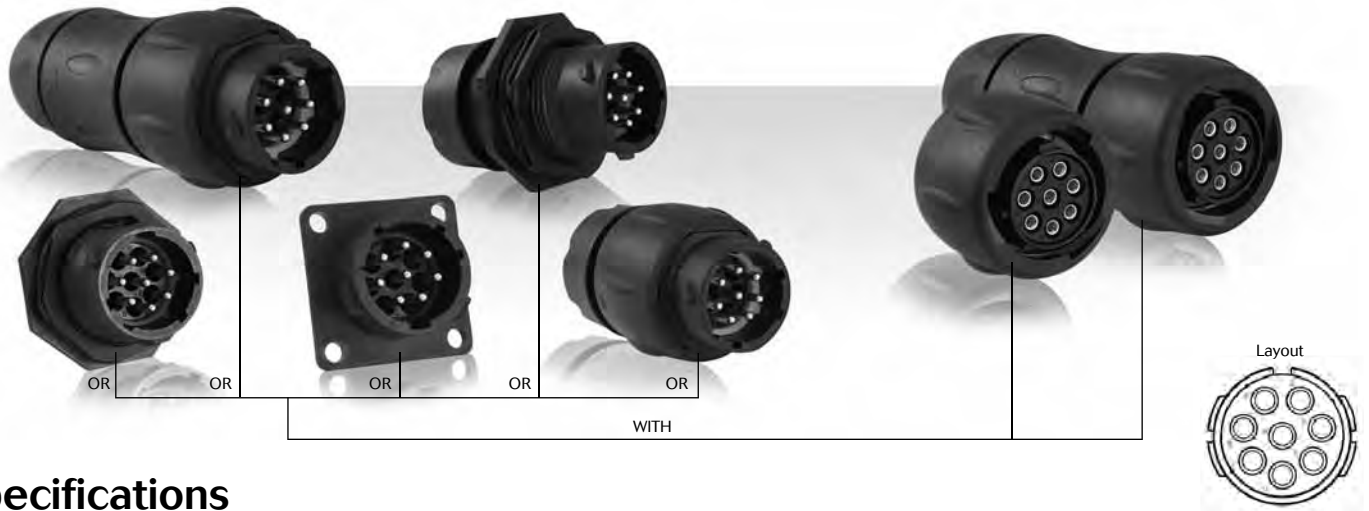


UTS Series
10E7/10D7



UTS Series

128

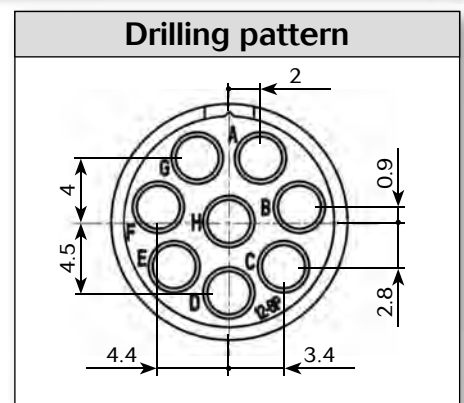
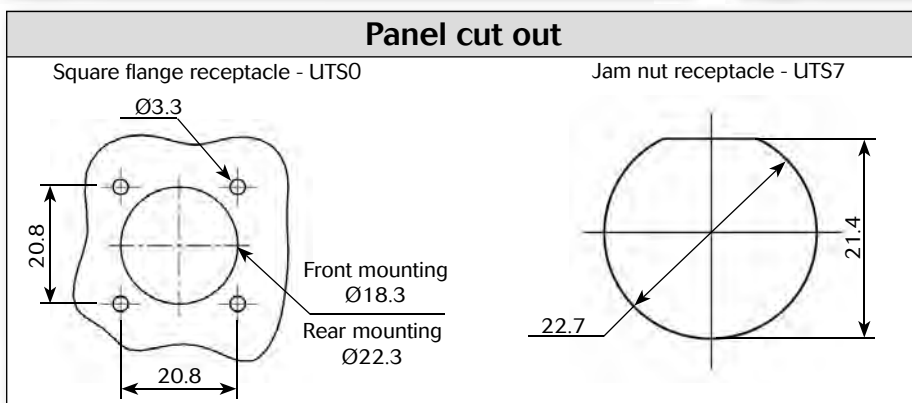
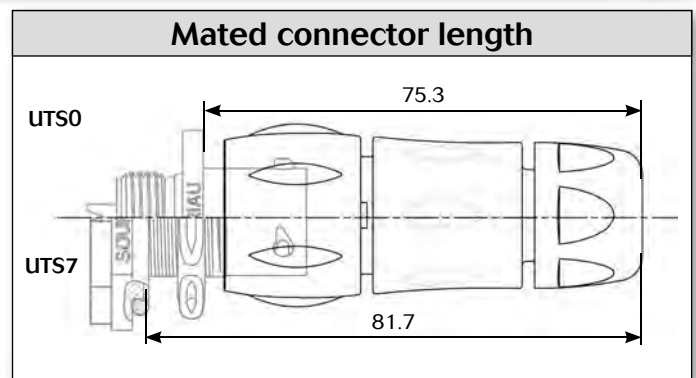
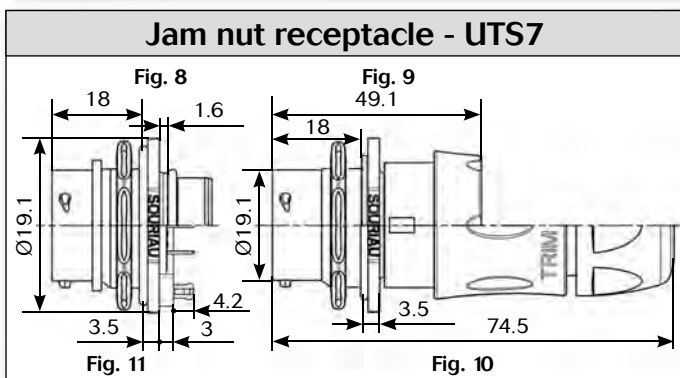
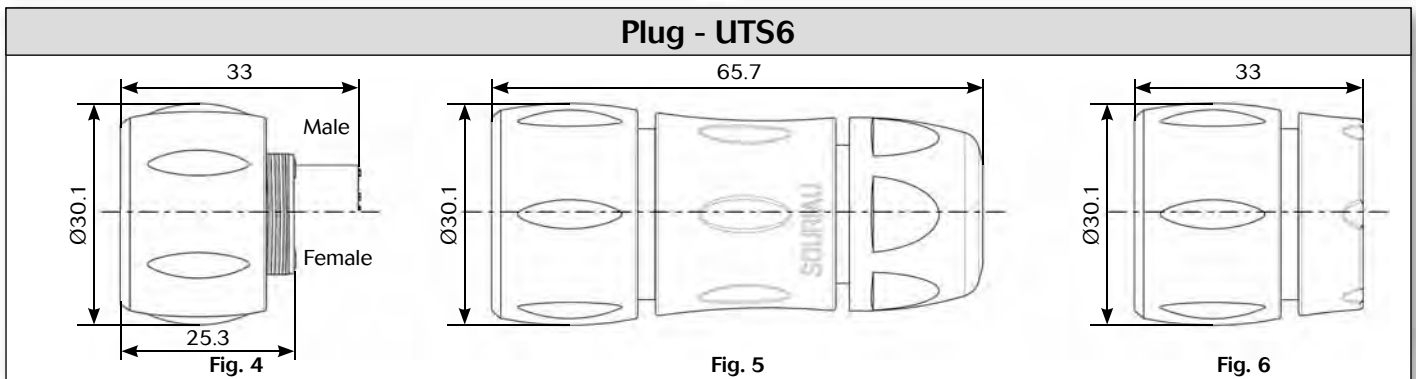
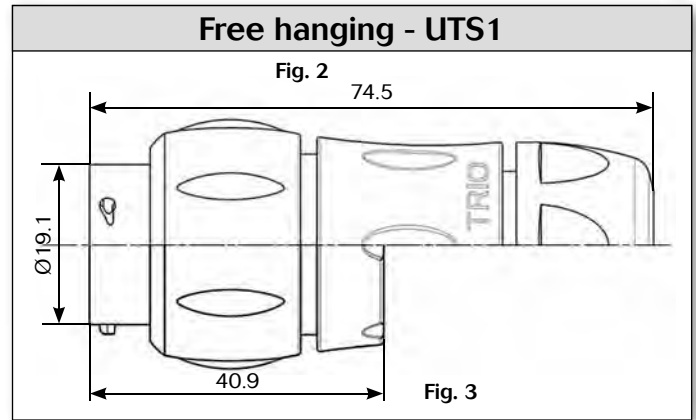
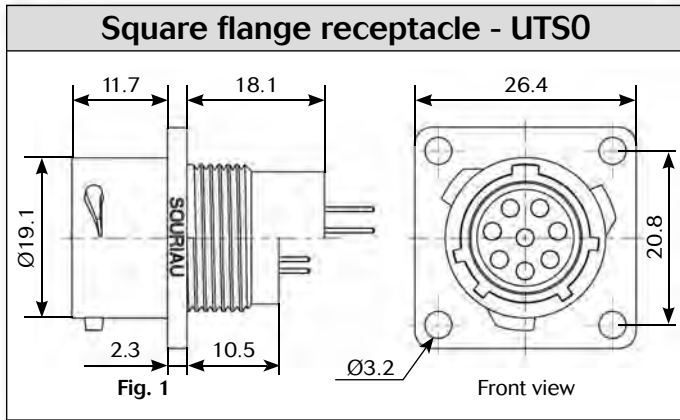


Specifications

| Contact type | Connector type | Backshell | Part number | |
|--|--------------------------|--|--------------|---------------|
| | | | Male insert | Female insert |
| Crimp contacts supply separately see page 99 | Square flange receptacle | Without (Fig.1) | UTS0128P | UTS0128S |
| | Free hanging receptacle | Cable gland and grommet (Fig.2) | UTS1GJC128P | |
| | Free hanging receptacle | Nut and grommet (Fig.3) | UTS1GN128P | |
| | Free hanging receptacle | Cable gland (Fig.2) | UTS1JC128P | UTS1JC128S |
| | Plug | Without (Fig.4) | UTS6128P | UTS6128S |
| | Plug | Cable gland and grommet (Fig.5) | | UTS6GJC128S |
| | Plug | Nut and grommet (Fig.6) | | UTS6GN128S |
| | Plug | Cable gland (Fig.5) | UTS6JC128P | UTS6JC128S |
| | Jam nut receptacle | Without (Fig.8) | UTS7128P | UTS7128S |
| | Jam nut receptacle | Cable gland and grommet (Fig.10) | UTS7GJC128P | |
| | Jam nut receptacle | Nut and grommet (Fig.9) | UTS7GN128P | |
| PCB contacts loaded | Jam nut receptacle | With stand off and hold down clip (Fig.11) | UTS7128PSEK9 | |





Dimensions



Note: all dimensions are in mm




Accessories and tooling

| Jam nut sealing caps | |
|---|---|
|  |  |
| Part number | Part number |
| UTS12DCG | UTS12DCGR |

Metal terminal

| Handle |
|--|
|  |
| Part number |
| SHANDLES |


| Tool kit |
|---|
|  |
| Part number |
| TOOLKIT |





| Plug sealing cap |
|--|
|  |
| Part number |
| UTS612DCG |

| Square flange sealing cap |
|--|
|  |
| Part number |
| UTS12DCGE |


Metal terminal

| Plastic protective cap | |
|---|----------|
|  | |
| Part numbers | |
| Receptacle cap | Plug cap |
| 85005587A | 85005596 |

| Gasket |
|---|
|  |
| Part numbers / neoprene |
| UTFD13B |

| Color coding rings | | | | | | | | | | | | |
|--------------------|---|--|--------------|--|-------------|-------|------------|------------|------------|------------|------------|------------|
| G for Green |  | <table border="1"> <thead> <tr> <th colspan="2">Part numbers</th> </tr> <tr> <th>Receptacles</th> <th>Plugs</th> </tr> </thead> <tbody> <tr> <td>UTS712CCRR</td> <td>UTS612CCRR</td> </tr> <tr> <td>UTS712CCRY</td> <td>UTS612CCRY</td> </tr> <tr> <td>UTS712CCRG</td> <td>UTS612CCRG</td> </tr> </tbody> </table> | Part numbers | | Receptacles | Plugs | UTS712CCRR | UTS612CCRR | UTS712CCRY | UTS612CCRY | UTS712CCRG | UTS612CCRG |
| Part numbers | | | | | | | | | | | | |
| Receptacles | Plugs | | | | | | | | | | | |
| UTS712CCRR | UTS612CCRR | | | | | | | | | | | |
| UTS712CCRY | UTS612CCRY | | | | | | | | | | | |
| UTS712CCRG | UTS612CCRG | | | | | | | | | | | |
| Y for Yellow |  | | | | | | | | | | | |
| |  | | | | | | | | | | | |
| R for Red |  | | | | | | | | | | | |

* Add G for Green, Y for Yellow, R for Red

| Crimp tooling | | | |
|---|-------------------------------------|---------------------|---------|
|  | | | |
| Contacts | Contact size | Part number of head | |
| RM/RC 28M1K ⁽¹⁾ | Standard contacts #16 Ø 1.6mm | S16RCM20 | |
| RM/RC 24M9K ⁽¹⁾ | | S16RCM20 | |
| RM/RC 20M13K ⁽¹⁾ | | S16RCM20 | |
| RM/RC 20M12K ⁽¹⁾ | | S16RCM20 | |
| RM/RC 16M23K ⁽¹⁾ | | S16RCM16 | |
| RM/RC 14M50K ⁽¹⁾ | | S16RCM1450 | |
| RM/RC 14M30K ⁽¹⁾ | | S16RCM14 | |
| SM/SC 24ML1TK6 ⁽¹⁾ | | S16SCM20 | |
| SM/SC 20ML1TK6 ⁽¹⁾ | | S16SCM20 | |
| SM/SC 16ML1TK6 ⁽¹⁾ | | S16SCML1 | |
| SM/SC 14ML1TK6 ⁽¹⁾ | | S16SCML1 | |
| SM/SC 16ML1TK6 ⁽¹⁾ | | S16SCML11 | |
| RMDXK10D28K | | Coaxial contacts | M10S-1J |
| RCDXK1D28K | | | M10S-1J |
| RM/RC DX60xxD28K | | | M10S-1J |
| RM/RC DXK10D28 + york090 | M10S-1J | | |
| RM/RC DX60xxD28 | | M10S-1J | |

(1): example of plating, for other plating see UTS catalog page 143



Contacts

| #16 | Contact type | AWG | Part number | | Max wire Ø | Max insulator Ø |
|-------------|---------------------------------------|------------------------------|------------------------------|-----------------------------|------------|-----------------|
| | | | Male | Female | | |
| Crimp | Machined | 30-28 | RM28M1K ⁽¹⁾ | RC28M1K ⁽¹⁾ | 0.55 | 1.1 |
| | | 26-24 | RM24M9K ⁽¹⁾ | RC24M9K ⁽¹⁾ | 0.8 | 1.6 |
| | | 22-20 | RM20M13K ⁽¹⁾ | RC20M13K ⁽¹⁾ | 1.18 | 1.8 |
| | | 22-20 | RM20M12K ⁽¹⁾ | RC20M12K ⁽¹⁾ | 1.18 | 2.2 |
| | | 20-16 | RM16M23K ⁽¹⁾ | RC16M23K ⁽¹⁾ | 1.8 | 3.2 |
| | | 16-14 | RM14M50K ⁽¹⁾ | RC14M50K ⁽¹⁾ | 2.05 | 3.2 |
| | | 16-14 | RM14M30K ⁽¹⁾ | RC14M30K ⁽¹⁾ | 2.28 | 3.2 |
| | Stamped & formed reeled contacts | 26-24 | SM24M1TK6 ⁽¹⁾⁽²⁾ | SC24M1TK6 ⁽¹⁾⁽²⁾ | 0.89-1.28 | - |
| | | 22-20 | SM20M1TK6 ⁽¹⁾⁽²⁾ | SC20M1TK6 ⁽¹⁾⁽²⁾ | 1.17-2.08 | - |
| | | 18-16 | SM16M1TK6 ⁽¹⁾⁽²⁾ | SC16M1TK6 ⁽¹⁾⁽²⁾ | 3.0 | - |
| 18-16 | | SM16M11TK6 ⁽¹⁾⁽²⁾ | SC16M11TK6 ⁽¹⁾⁽²⁾ | 2.0-3.0 | - | |
| 14 | | SM14M1TK6 ⁽¹⁾⁽²⁾ | SC14M1TK6 ⁽¹⁾⁽²⁾ | 3.2 | - | |
| PCB | Machined ⁽³⁾ | - | RM20M12E8K ⁽¹⁾ | RC20M12E84K ⁽¹⁾ | - | - |
| Coaxial | Cable Multipiece | - | RMDXK10D28 | RCDXK1D28 | - | - |
| | Cable Monocrimp | - | RMDX60xxD28 | RCDX60xxD28 | - | - |
| | Twisted pair Multipiece | - | RMDXK10D28 + york090 | RCDXK1D28 + york090 | - | - |
| | Twisted pair Monocrimp | - | RMDX60xxD28 | RCDX60xxD28 | - | - |
| Fiber optic | POF contacts Plastic optical fibre | - | RMPOF1000 | RCPOF1000B | - | - |

(1): Example of plating, for other plating see page 143
 (2): Loose piece contact available if putting L. Example: SM20ML1-TK6
 (3): For dimensions see page 148

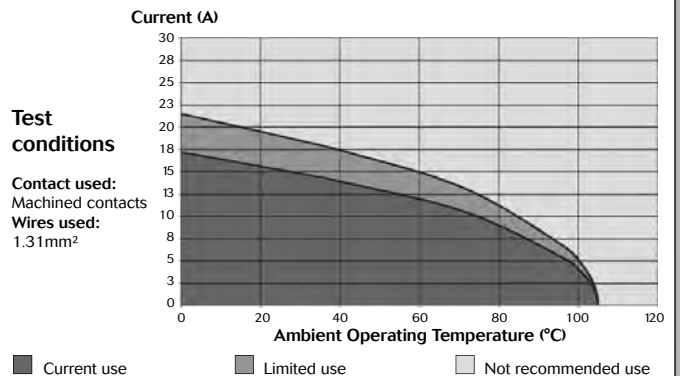
Electrical characteristics

UL
10A 500V UL94 V-0

CSA
7A 500V UL94 V-0

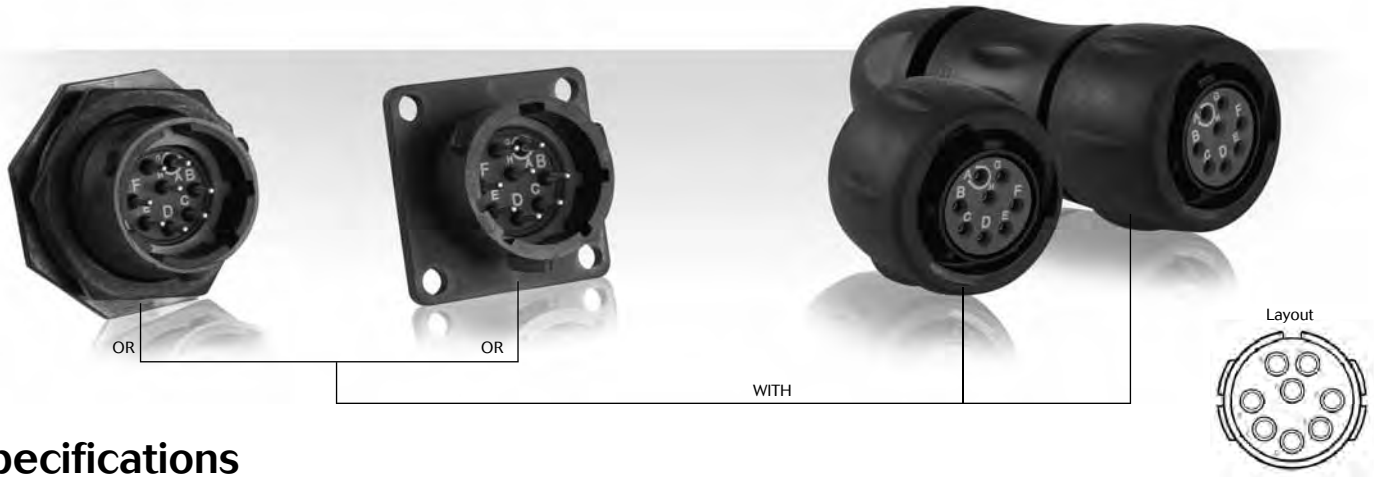
IEC
10A 80V 1.5kV 3

UTS 128 derating curves



UTS Series

12E8/12D8



Specifications

| Contact type | Connector type | Backshell | Part number | |
|--|--|---------------------|-------------|---------------|
| | | | Male insert | Female insert |
| Hand solder electrical contacts loaded | Square flange receptacle | Without (Fig.6) | UTS012E8P | UTS012E8S |
| | Plug | Without (Fig.1) | UTS612E8P | UTS612E8S |
| | | Cable gland (Fig.2) | UTS6JC12E8P | UTS6JC12E8S |
| | Jam nut receptacle | Without (Fig.3) | UTS712E8P | UTS712E8S |
| PCB contacts loaded | Square flange receptacle | Without (Fig.7) | UTS012D8P | UTS012D8S |
| | Jam nut receptacle with stand off and with hold down clips | Without (Fig.4) | UTS712D8P32 | UTS712D8S32 |
| | Jam nut receptacle with stand off and without hold down clip | Without (Fig.5) | UTS712D8P | UTS712D8S |

Sealed unmated



Accessories

Jam nut sealing caps

Metal terminal

| |
|-------------|
| Part number |
| UTS12DCG |

| |
|-------------|
| Part number |
| UTS12DCGR |

Plug sealing cap

| |
|-------------|
| Part number |
| UTS612DCG |

Square flange sealing cap

Metal terminal

| |
|-------------|
| Part number |
| UTS12DCGE |

Plastic protective cap

| Part numbers | |
|----------------|----------|
| Receptacle cap | Plug cap |
| 85005587A | 85005596 |

Gasket

| |
|-------------------------|
| Part numbers / neoprene |
| UTFD13B |

Color coding rings

G for Green
Y for Yellow
R for Red

| Part numbers | |
|--------------|------------|
| Receptacles | Plugs |
| UTS712CCR | UTS612CCR |
| UTS712CCRY | UTS612CCRY |
| UTS712CCRG | UTS612CCRG |

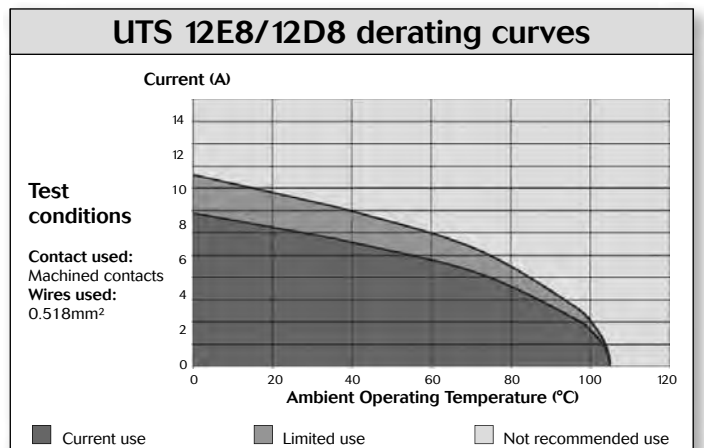
* Add G for Green, Y for Yellow, R for Red

Electrical characteristics

UL
4.5A 250V UL94 HB

CSA
4.5A 250V UL94 HB

IEC
6A 32V 1.5kV 3



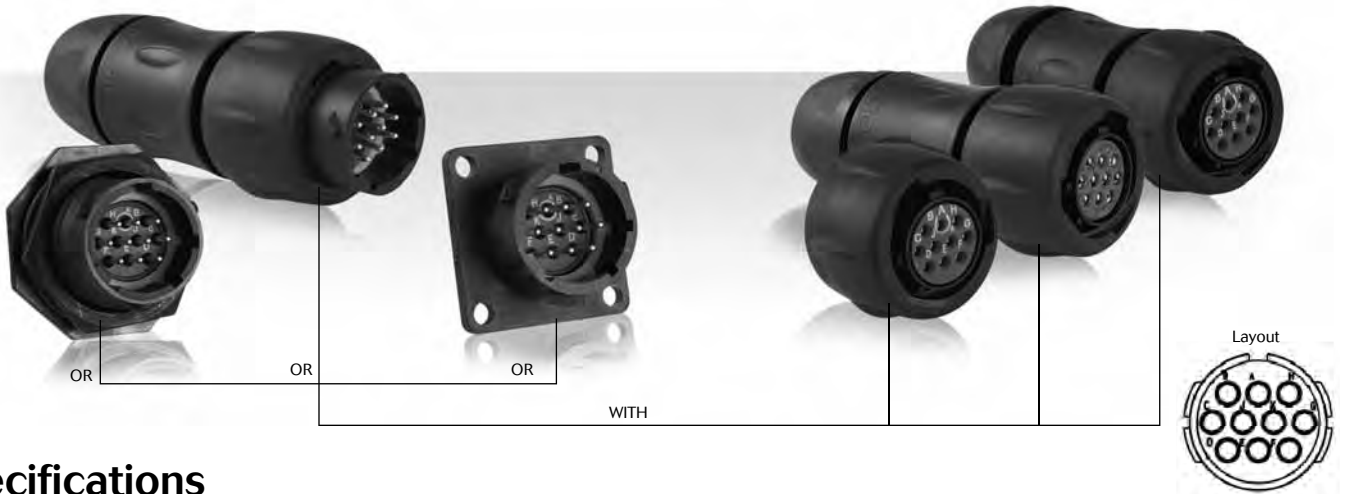
UTS Series

12E8/12D8



UTS Series

1210 - 12E10/12D10



Specifications

| Contact type | Connector type | Backshell | Part number | |
|--|--|---------------------|--------------|---------------|
| | | | Male insert | Female insert |
| Crimp contacts supply separately see page107 | Free hanging receptacle | Cable gland (Fig.1) | UTS1JC1210P | UTS1JC1210S |
| | Plug | Without (Fig.2) | UTS61210P | UTS61210S |
| | Plug | Cable gland (Fig.3) | UTS6JC1210P | UTS6JC1210S |
| | Jam nut receptacle | Without (Fig.4) | UTS71210P | UTS71210S |
| Handsolder electrical contacts loaded | Square flange receptacle | Without (Fig.6) | UTS012E10P | UTS012E10S |
| | Plug | Without (Fig.2) | UTS612E10P | UTS612E10S |
| | | Cable gland (Fig.3) | UTS6JC12E10P | UTS6JC12E10S |
| | Jam nut receptacle | Without (Fig.5) | UTS712E10P | UTS712E10S |
| PCB contacts loaded | Square flange receptacle | Without (Fig.7) | UTS012D10P | UTS012D10S |
| | Jam nut receptacle with stand off and with hold down clips | Without (Fig.6) | UTS712D10P32 | UTS712D10S32 |
| | Jam nut receptacle with stand off and without hold down clip | Without (Fig.7) | UTS712D10P | UTS712D10S |

Sealed unmated

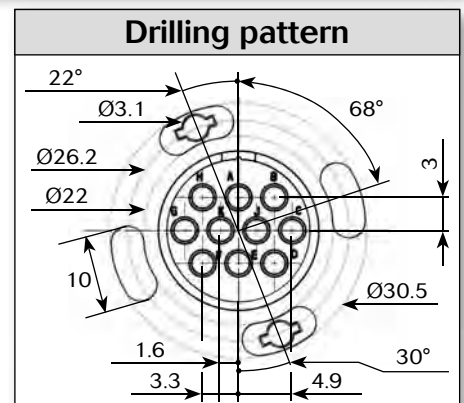
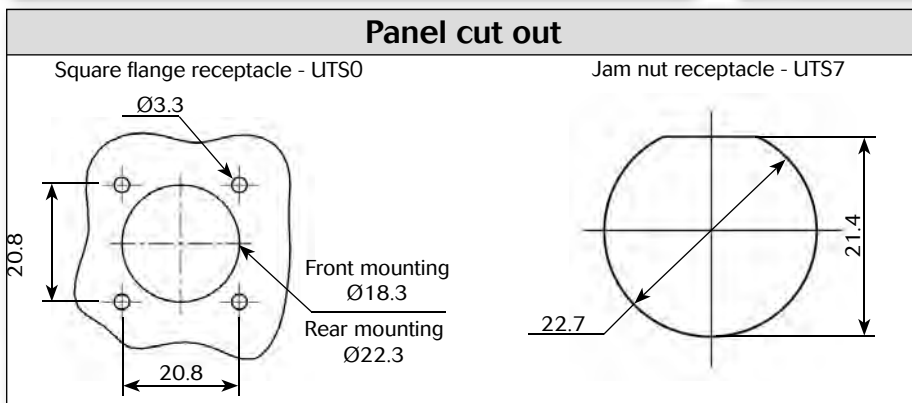
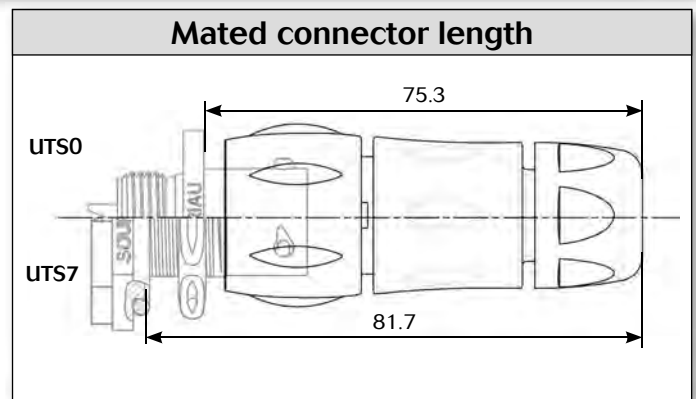
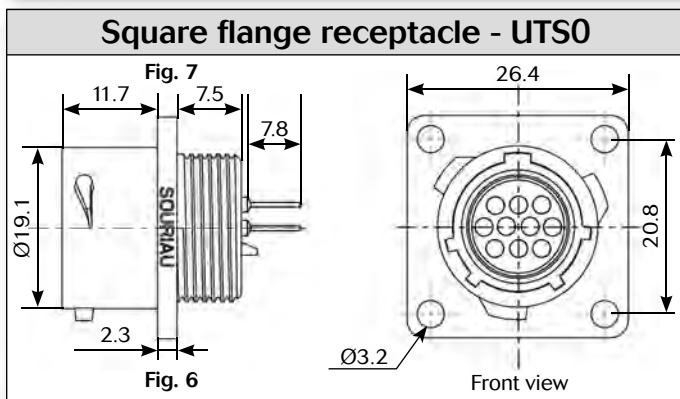
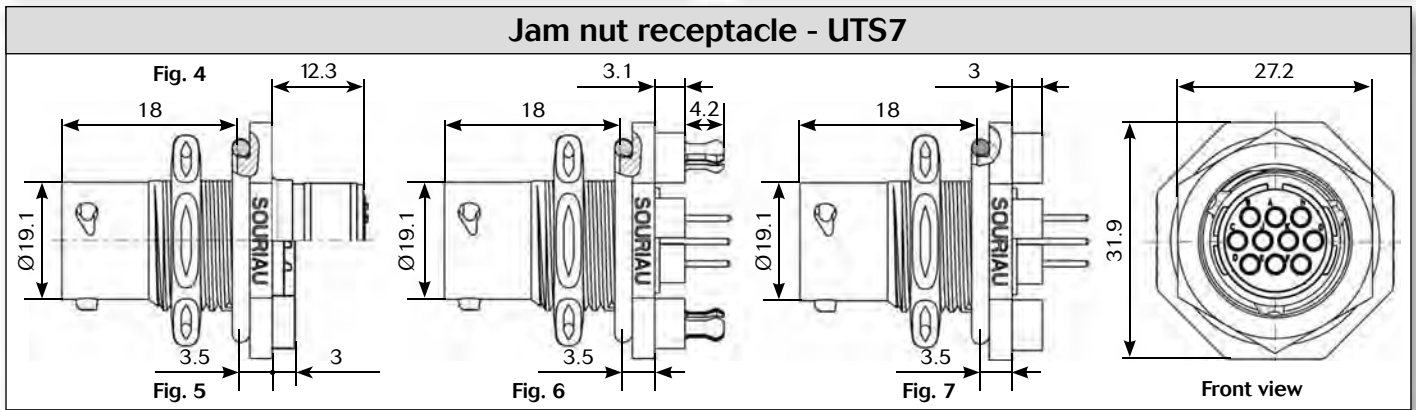
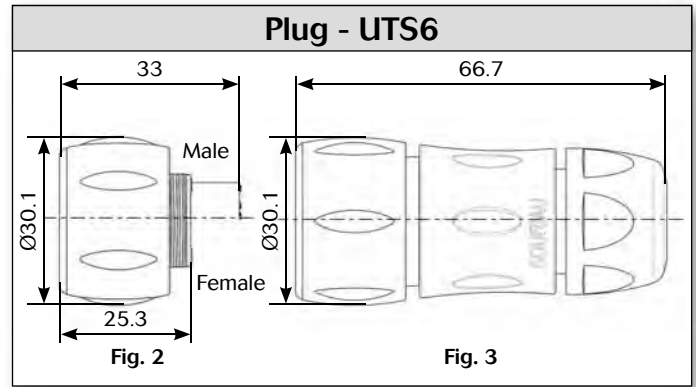
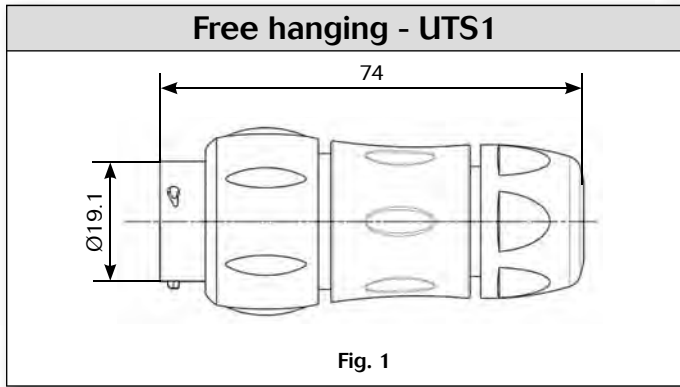
UTS Series

1210 - 12E10/12D10



10 contacts
6A/50V
per IEC 61984



Dimensions



Note: all dimensions are in mm




Accessories and tooling

| Jam nut sealing caps | |
|---|---|
|  |  |
| Part number | Part number |
| UTS12DCG | UTS12DCGR |

Metal terminal

| Handle |
|--|
|  |
| Part number |
| SHANGLES |


| Tool kit |
|---|
|  |
| Part number |
| TOOLKIT |


| Plug sealing cap |
|--|
|  |
| Part number |
| UTS612DCG |

| Square flange sealing cap |
|--|
|  |
| Part number |
| UTS12DCGE |




Metal terminal

| Plastic protective cap | |
|---|----------|
|  | |
| Part numbers | |
| Receptacle cap | Plug cap |
| 85005587A | 85005596 |

| Gasket |
|---|
|  |
| Part numbers / neoprene |
| UTFD13B |

| Crimp tooling | | |
|---|-----------------------------------|---------------------|
|  | | |
| Contacts | Contact size | Part number of head |
| RM/RC 24W3K ⁽¹⁾ | Standard contacts #20 Ø 1mm | S20RM |
| RM/RC 20W3K ⁽¹⁾ | | S20RM |
| RM/RC 18W3K ⁽¹⁾ | | S20RM |
| SM/SC 24W3S ⁽²⁾ | | S20SCM20 |
| SM/SC 24WL3S ⁽³⁾ | | S20SCM20 |
| SM/SC 20W3S ⁽²⁾ | | S20SCM20 |
| SM/SC 20WL3S ⁽³⁾ | | S20SCM20 |

(1): example of plating, for other plating see UTS catalog page 143
 (2): contact reeled
 (3): loose contact

| Color coding rings | |
|--------------------|---|
| G for Green |  |
| Y for Yellow |  |
| R for Red |  |
| Part numbers | |
| Receptacles | Plugs |
| UTS712CCRR | UTS612CCRR |
| UTS712CCRY | UTS612CCRY |
| UTS712CCRG | UTS612CCRG |

* Add G for Green, Y for Yellow, R for Red

UTS Series

1210 - 12E10/12D10



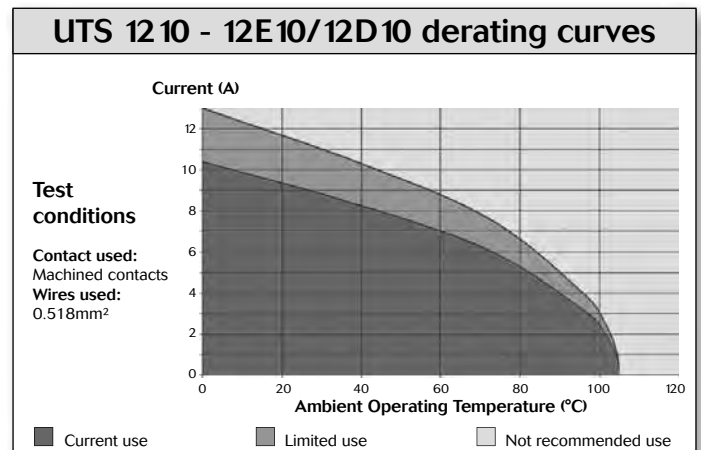
10 contacts
6A/50V
per IEC 61984

Contacts

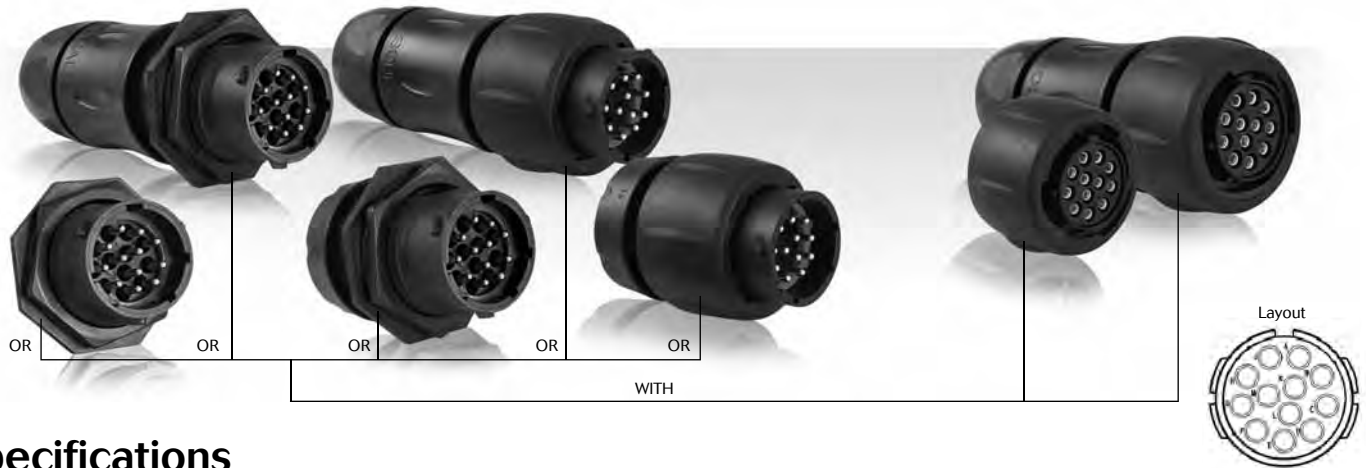
| #20 | Contact type | AWG | Part number | | Max wire Ø | Max insulator Ø |
|-------|----------------------------------|-------------------------|--------------------------|--------------------------|------------|-----------------|
| | | | Male | Female | | |
| Crimp | Machined | 26-24 | RM24W3K ⁽¹⁾ | RC24W3K ⁽¹⁾ | - | 1.58 |
| | | 22-20 | RM20W3K ⁽¹⁾ | RC20W3K ⁽¹⁾ | - | 1.58 |
| | | 20-18 | RM18W3K ⁽¹⁾ | RC18W3K ⁽¹⁾ | - | 2.1 |
| | stamped & formed reeled contacts | 26-24 | SM24W3TK6 ⁽²⁾ | SC24W3TK6 ⁽²⁾ | - | 0.89-1.58 |
| | | 26-24 | SM24W3TK6 ⁽²⁾ | SC24W3TK6 ⁽²⁾ | - | 0.89-1.58 |
| | | 22-20 | SM20W3TK6 ⁽²⁾ | SC20W3TK6 ⁽²⁾ | - | 1.17-2.08 |
| | | 22-20 | SM20W3TK6 ⁽²⁾ | SC20W3TK6 ⁽²⁾ | - | 1.17-2.08 |
| | PCB | Machined ⁽³⁾ | - | RMW5016K | RCW5016K | - |

(1): Example of plating, for other plating see page 143
 (2): Loose piece contact available if putting L. Example: SM20ML1-TK6
 (3): For dimensions see page 148

| Electrical characteristics | |
|--|--|
| UTS 1210 UL 5A 250V UL94 V-0 | UTS 12E10/12D10 UL 4.5A 250V UL94 HB |
| CSA 4A 250V UL94 V-0 | CSA 4.5A 250V UL94 HB |
| IEC 6A 50V 1.5kV 3 | |



UTS Series 1412

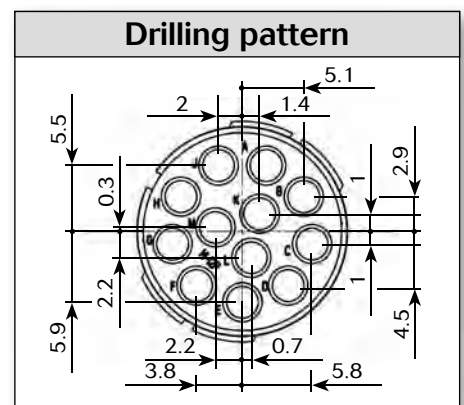
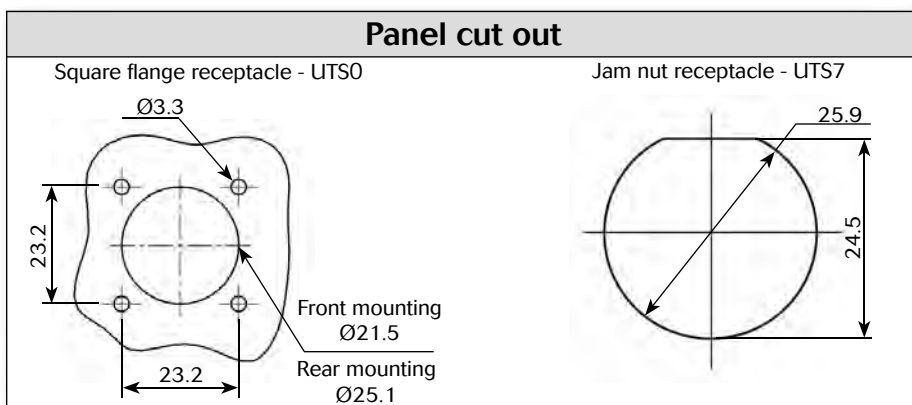
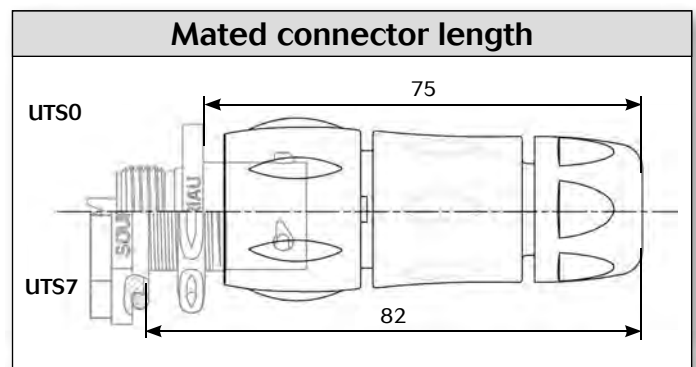
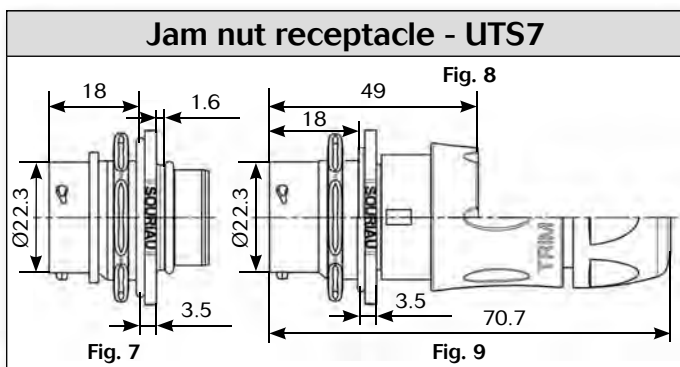
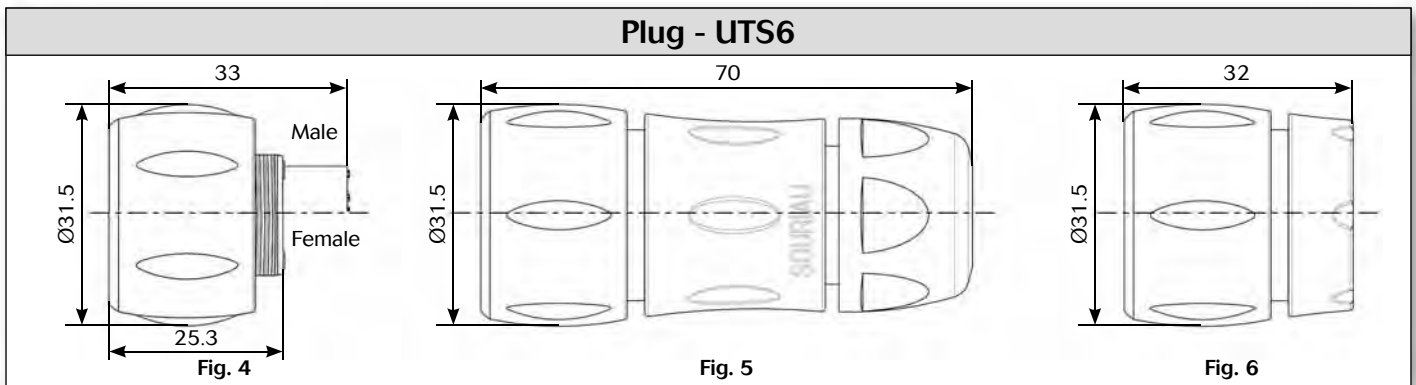
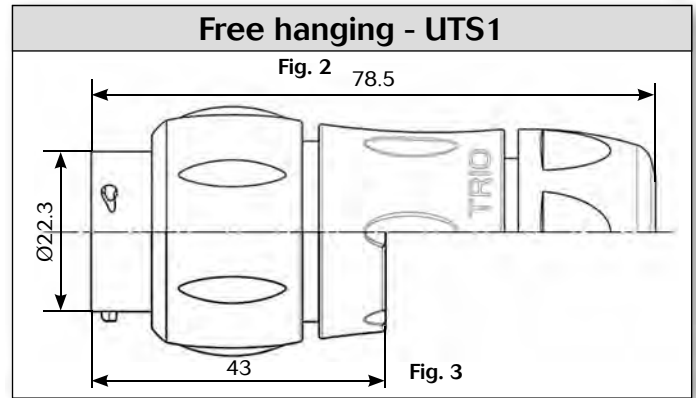
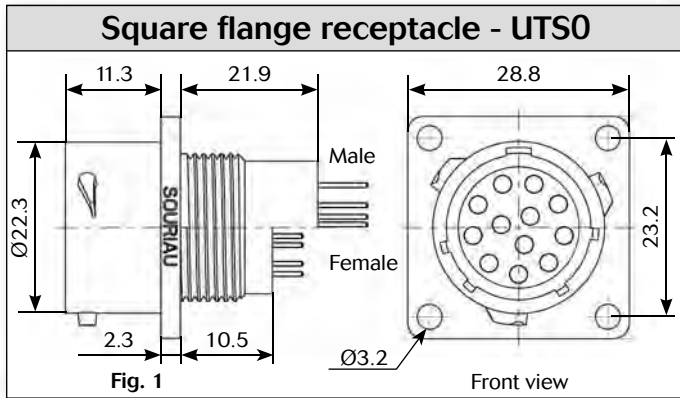


Specifications

| Contact type | Connector type | Backshell | Part number | |
|---|--------------------------|---------------------------------|--------------|---------------|
| | | | Male insert | Female insert |
| Crimp contacts supply separately see page 111 | Square flange receptacle | Without (Fig.1) | UTS01412P | UTS01412S |
| | Free hanging receptacle | Cable gland and grommet (Fig.2) | UTS1GJC1412P | |
| | Free hanging receptacle | Nut and grommet (Fig.3) | UTS1GN1412P | |
| | Free hanging receptacle | Cable gland (Fig.2) | UTS1JC1412P | UTS1JC1412S |
| | Plug | Without (Fig.4) | UTS61412P | UTS61412S |
| | Plug | Cable gland and grommet (Fig.5) | | UTS6GJC1412S |
| | Plug | Nut and grommet (Fig.6) | | UTS6GN1412S |
| | Plug | Cable gland (Fig.5) | UTS6JC1412P | UTS6JC1412S |
| | Jam nut receptacle | Without (Fig.7) | UTS71412P | UTS71412S |
| | Jam nut receptacle | Cable gland and grommet (Fig.9) | UTS7GJC1412P | |
| | Jam nut receptacle | Nut and grommet (Fig.8) | UTS7GN1412P | |
| PCB contacts supply separately see page 111 | Square flange receptacle | Without (Fig.1) | UTS01412P | UTS01412S |
| | Jam nut receptacle | Without (Fig.7) | UTS71412P | UTS71412S |





Dimensions



Note: all dimensions are in mm



Accessories and tooling

| Jam nut sealing caps | |
|---|---|
|  |  |
| Part number | Part number |
| UTS14DCG | UTS14DCGR |

Metal terminal

| Handle |
|--|
|  |
| Part number |
| SHANGLES |


| Tool kit |
|---|
|  |
| Part number |
| TOOLKIT |




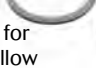
| Plug sealing cap |
|--|
|  |
| Part number |
| UTS614DCG |

| Square flange sealing cap |
|--|
|  |
| Part number |
| UTS14DCGE |




Metal terminal

| Plastic protective cap | |
|---|----------|
|  | |
| Part numbers | |
| Receptacle cap | Plug cap |
| 85005588A | 85005597 |

| Gasket |
|---|
|  |
| Part numbers / neoprene |
| UTFD14B |

| Color coding rings | | | | | | | | | | | | |
|--------------------|---|--|--------------|--|-------------|-------|-----------|-----------|------------|------------|------------|------------|
| G for Green |  | <table border="1"> <thead> <tr> <th colspan="2">Part numbers</th> </tr> <tr> <th>Receptacles</th> <th>Plugs</th> </tr> </thead> <tbody> <tr> <td>UTS714CCR</td> <td>UTS614CCR</td> </tr> <tr> <td>UTS714CCRY</td> <td>UTS614CCRY</td> </tr> <tr> <td>UTS714CCRG</td> <td>UTS614CCRG</td> </tr> </tbody> </table> | Part numbers | | Receptacles | Plugs | UTS714CCR | UTS614CCR | UTS714CCRY | UTS614CCRY | UTS714CCRG | UTS614CCRG |
| Part numbers | | | | | | | | | | | | |
| Receptacles | Plugs | | | | | | | | | | | |
| UTS714CCR | UTS614CCR | | | | | | | | | | | |
| UTS714CCRY | UTS614CCRY | | | | | | | | | | | |
| UTS714CCRG | UTS614CCRG | | | | | | | | | | | |
| Y for Yellow |  | | | | | | | | | | | |
| |  | | | | | | | | | | | |
| R for Red |  | | | | | | | | | | | |

* Add G for Green, Y for Yellow, R for Red

| Crimp tooling | | | |
|---|--|--|---------|
|  |  |  | |
| Contacts | Contact size | Part number of head | |
| RM/RC 28M1K ⁽¹⁾ | Standard contacts #16 Ø 1.6mm | S16RCM20 | |
| RM/RC 24M9K ⁽¹⁾ | | S16RCM20 | |
| RM/RC 20M13K ⁽¹⁾ | | S16RCM20 | |
| RM/RC 20M12K ⁽¹⁾ | | S16RCM20 | |
| RM/RC 16M23K ⁽¹⁾ | | S16RCM16 | |
| RM/RC 14M50K ⁽¹⁾ | | S16RCM1450 | |
| RM/RC 14M30K ⁽¹⁾ | | S16RCM14 | |
| SM/SC 24ML1TK6 ⁽¹⁾ | | S16SCM20 | |
| SM/SC 20ML1TK6 ⁽¹⁾ | | S16SCM20 | |
| SM/SC 16ML1TK6 ⁽¹⁾ | | S16SCML1 | |
| SM/SC 14ML1TK6 ⁽¹⁾ | | S16SCML1 | |
| SM/SC 16ML1TK6 ⁽¹⁾ | | S16SCML11 | |
| RMDXK10D28K | | Coaxial contacts | M10S-1J |
| RCDXK1D28K | | | M10S-1J |
| RM/RC DX60xxD28K | M10S-1J | | |
| RM/RC DXK10D28 + york090 | M10S-1J | | |
| RM/RC DX60xxD28 | | M10S-1J | |

(1): example of plating, for other plating see UTS catalog page 143



Contacts

| #16 | Contact type | AWG | Part number | | Max wire Ø | Max insulator Ø |
|-------------|---------------------------------------|------------------------------|------------------------------|-----------------------------|------------|-----------------|
| | | | Male | Female | | |
| Crimp | Machined | 30-28 | RM28M1K ⁽¹⁾ | RC28M1K ⁽¹⁾ | 0.55 | 1.1 |
| | | 26-24 | RM24M9K ⁽¹⁾ | RC24M9K ⁽¹⁾ | 0.8 | 1.6 |
| | | 22-20 | RM20M13K ⁽¹⁾ | RC20M13K ⁽¹⁾ | 1.18 | 1.8 |
| | | 22-20 | RM20M12K ⁽¹⁾ | RC20M12K ⁽¹⁾ | 1.18 | 2.2 |
| | | 20-16 | RM16M23K ⁽¹⁾ | RC16M23K ⁽¹⁾ | 1.8 | 3.2 |
| | | 16-14 | RM14M50K ⁽¹⁾ | RC14M50K ⁽¹⁾ | 2.05 | 3.2 |
| | | 16-14 | RM14M30K ⁽¹⁾ | RC14M30K ⁽¹⁾ | 2.28 | 3.2 |
| | Stamped & formed reeled contacts | 26-24 | SM24M1TK6 ⁽¹⁾⁽²⁾ | SC24M1TK6 ⁽¹⁾⁽²⁾ | 0.89-1.28 | - |
| | | 22-20 | SM20M1TK6 ⁽¹⁾⁽²⁾ | SC20M1TK6 ⁽¹⁾⁽²⁾ | 1.17-2.08 | - |
| | | 18-16 | SM16M1TK6 ⁽¹⁾⁽²⁾ | SC16M1TK6 ⁽¹⁾⁽²⁾ | 3.0 | - |
| 18-16 | | SM16M11TK6 ⁽¹⁾⁽²⁾ | SC16M11TK6 ⁽¹⁾⁽²⁾ | 2.0-3.0 | - | |
| 14 | | SM14M1TK6 ⁽¹⁾⁽²⁾ | SC14M1TK6 ⁽¹⁾⁽²⁾ | 3.2 | - | |
| PCB | Machined ⁽³⁾ | - | RM20M12E8K ⁽¹⁾ | RC20M12E84K ⁽¹⁾ | - | - |
| Coaxial | Cable Multipiece | - | RMDXK10D28 | RCDXK1D28 | - | - |
| | Cable Monocrimp | - | RMDX60xxD28 | RCDX60xxD28 | - | - |
| | Twisted pair Multipiece | - | RMDXK10D28 + york090 | RCDXK1D28 + york090 | - | - |
| | Twisted pair Monocrimp | - | RMDX60xxD28 | RCDX60xxD28 | - | - |
| Fiber optic | POF contacts Plastic optical fibre | - | RMPOF1000 | RCPOF1000B | - | - |

(1): Example of plating, for other plating see page 143
 (2): Loose piece contact available if putting L. Example: SM20ML1-TK6
 (3): For dimensions see page 148

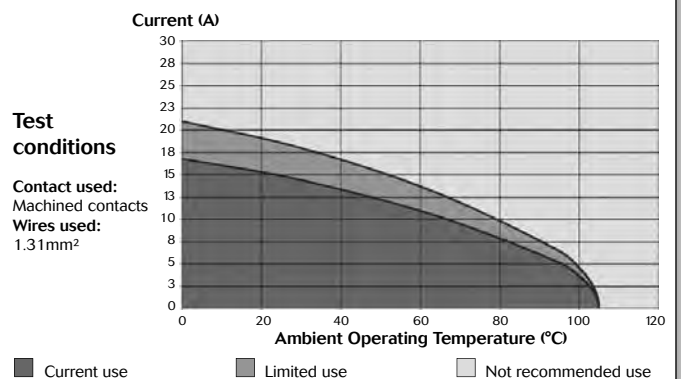
Electrical characteristics

UL
10A 500V UL94 V-0

CSA
7A 500V UL94 V-0

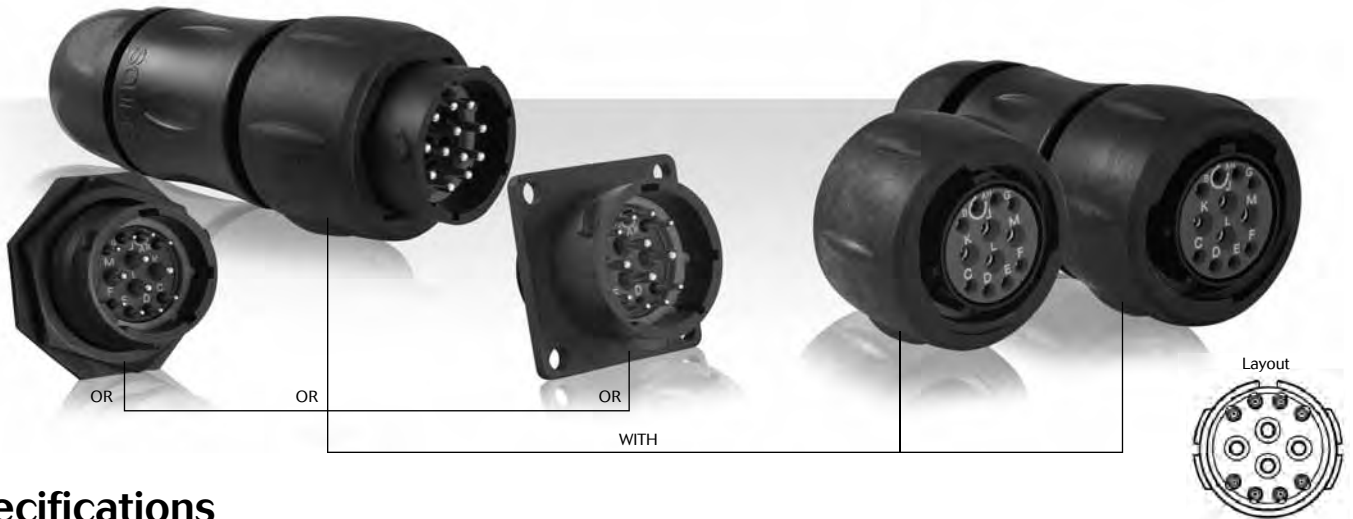
IEC
10A 63V 1.5kV 3

UTS 1412 derating curves



UTS Series

14E12/14D12 (4x#16 + 8x#20)



Specifications

| Contact type | Connector type | Backshell | Part number | |
|--|--|---------------------|--------------|---------------|
| | | | Male insert | Female insert |
| Hand solder electrical contacts loaded | Square flange receptacle | Without (Fig.6) | UTS014E12P | UTS014E12S |
| | Plug | Without (Fig.1) | UTS614E12P | UTS614E12S |
| | | Cable gland (Fig.2) | UTS6JC14E12P | UTS6JC14E12S |
| | Jam nut receptacle | Without (Fig.3) | UTS714E12P | UTS714E12S |
| PCB contacts loaded | Square flange receptacle | Without (Fig.6) | UTS014D12P | UTS014D12S |
| | Jam nut receptacle with stand off and with hold down clips | Without (Fig.4) | UTS714D12P32 | UTS714D12S32 |
| | Jam nut receptacle with stand off and without hold down clip | Without (Fig.5) | UTS714D12P | UTS714D12S |

Sealed unmatred

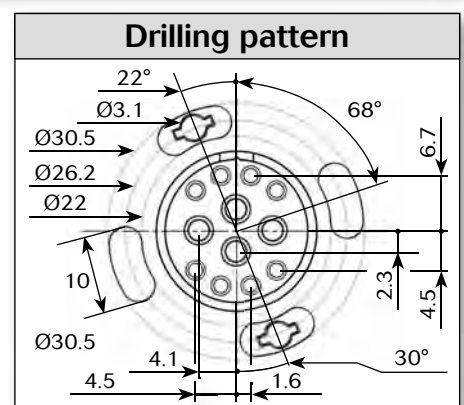
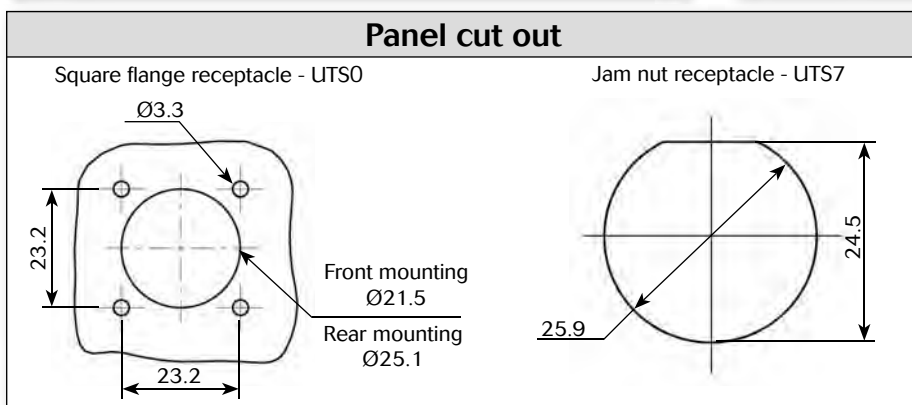
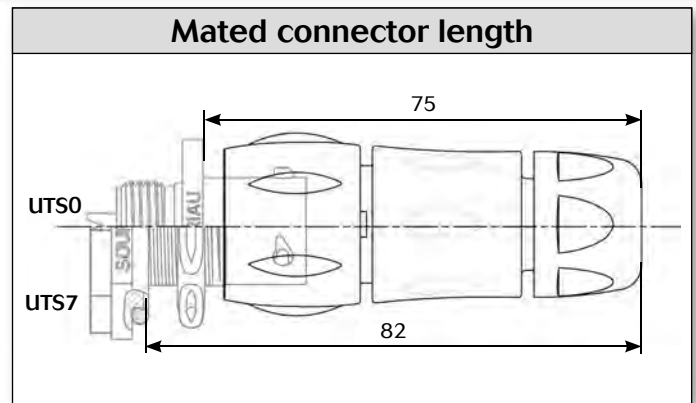
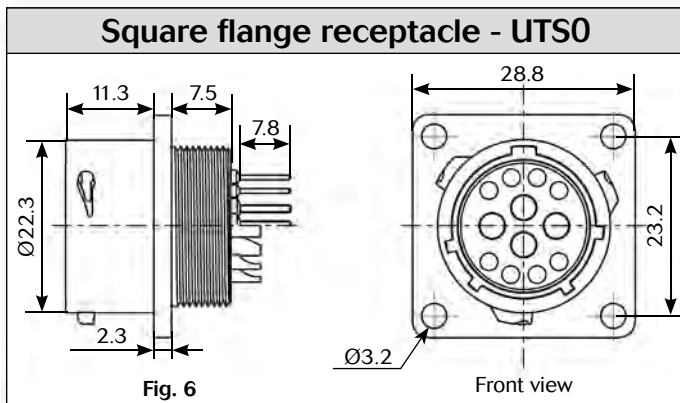
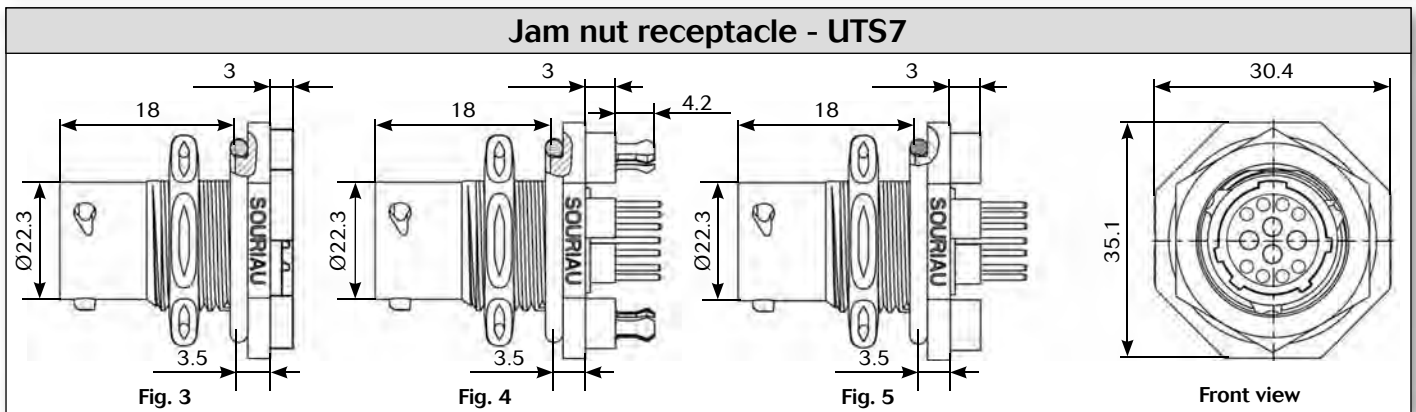
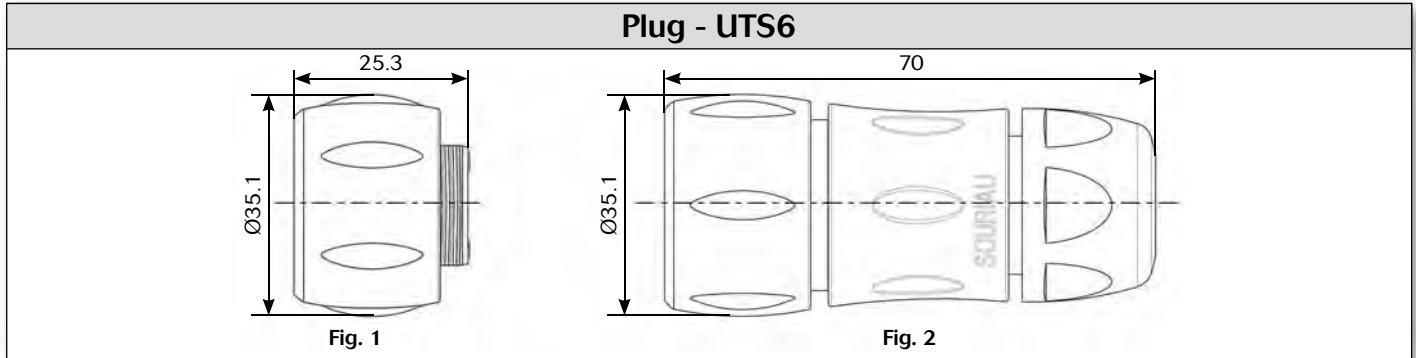
UTS Series

14E12/14D12 (4x#16 + 8x#20)



12 contacts
4A/50V
per IEC 61984

Dimensions



UTS Series

14E12/14D12 (4x#16 + 8x#20)



Accessories

Jam nut sealing caps

Metal terminal

| | |
|-------------|-------------|
| Part number | Part number |
| UTS14DCG | UTS14DCGR |

Plug sealing cap

| |
|-------------|
| Part number |
| UTS614DCG |

Square flange sealing cap

Metal terminal

| |
|-------------|
| Part number |
| UTS14DCGE |

Plastic protective cap

| Part numbers | |
|----------------|----------|
| Receptacle cap | Plug cap |
| 85005588A | 85005597 |

Gasket

| Part numbers / neoprene |
|-------------------------|
| UTFD14B |

Color coding rings

G for Green
Y for Yellow
R for Red

| Part numbers | |
|--------------|------------|
| Receptacles | Plugs |
| UTS714CCR | UTS614CCR |
| UTS714CCRY | UTS614CCRY |
| UTS714CCRG | UTS614CCRG |

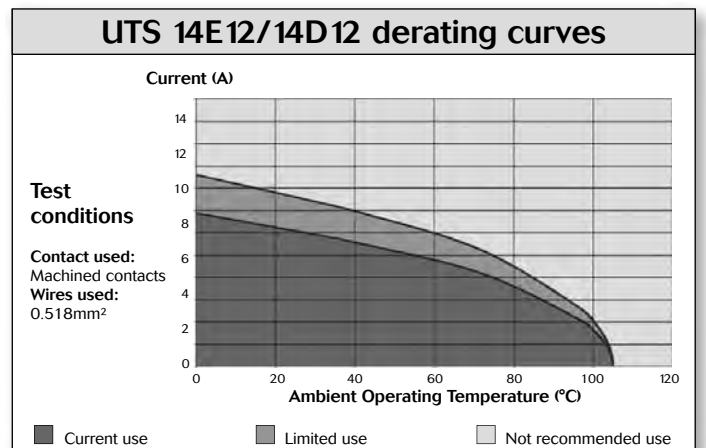
* Add G for Green, Y for Yellow, R for Red

Electrical characteristics

UL
4.5A 250V UL94 HB

CSA
4.5A 250V UL94 HB

IEC
4A 50V 1.5kV 3



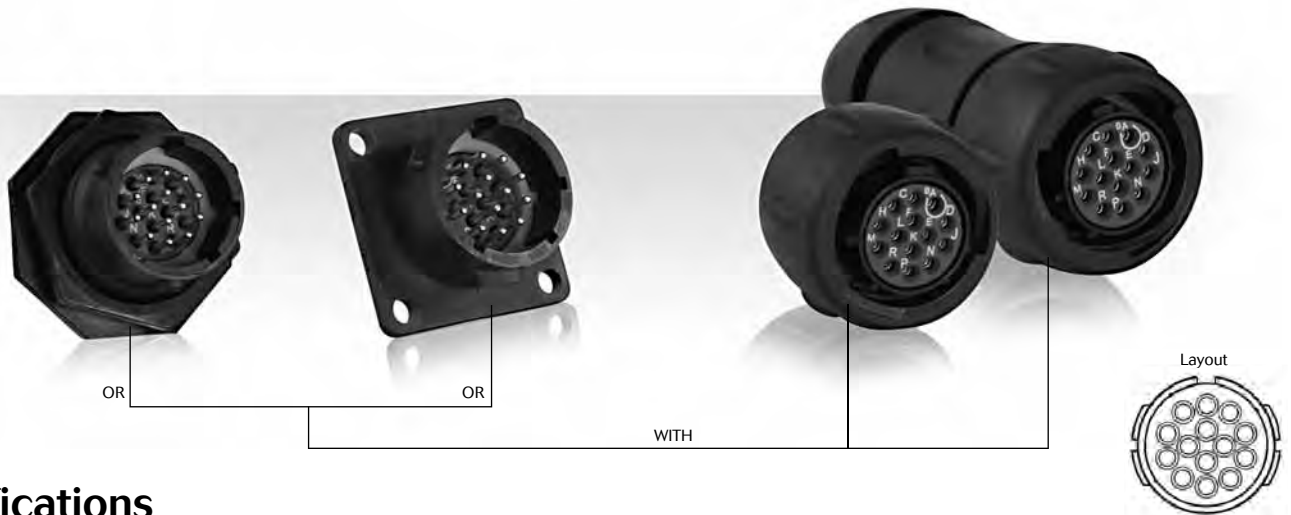
UTS Series

14E12/14D12 (4x#16 + 8x#20)



UTS Series

12E14/12D14



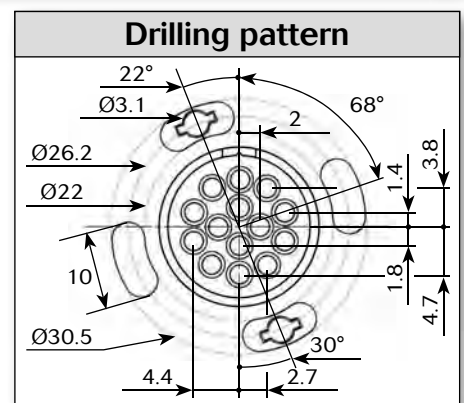
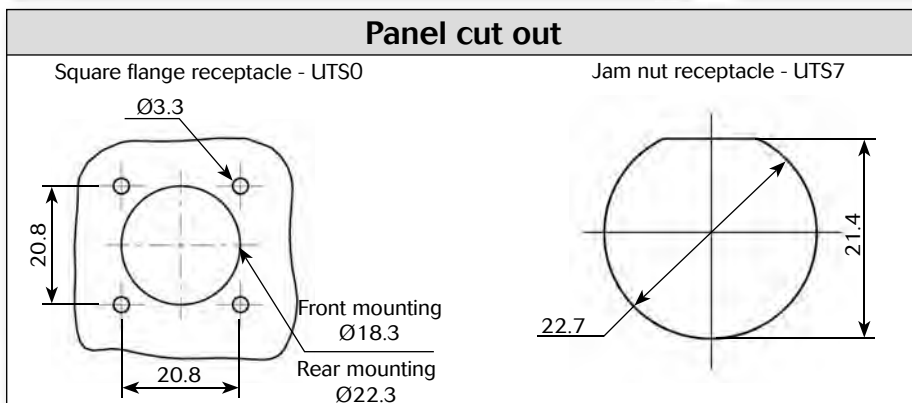
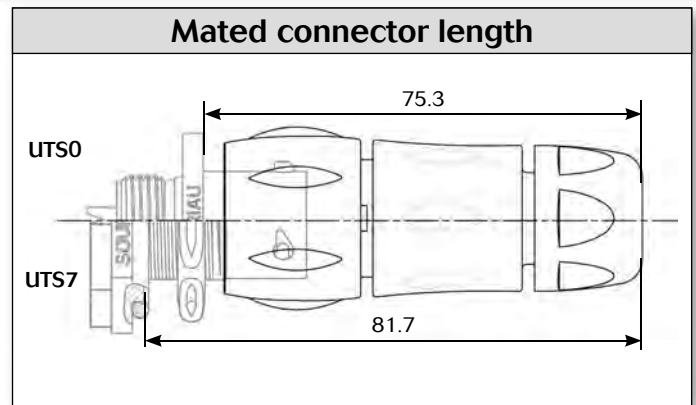
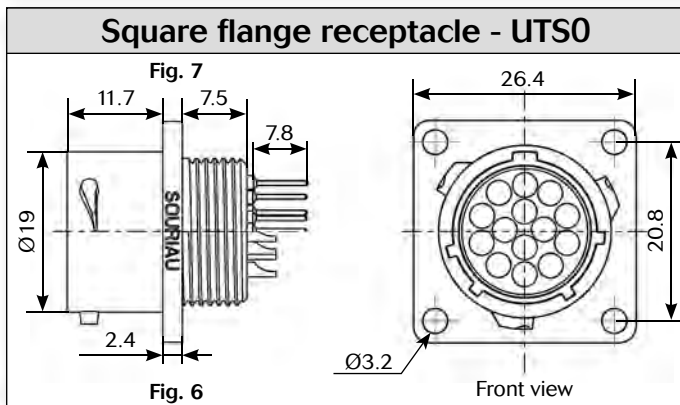
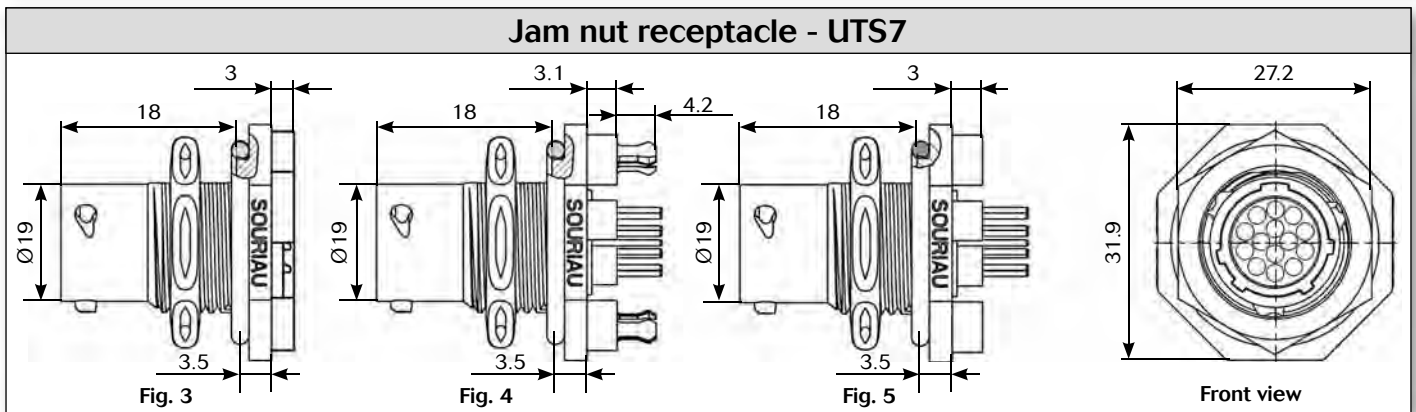
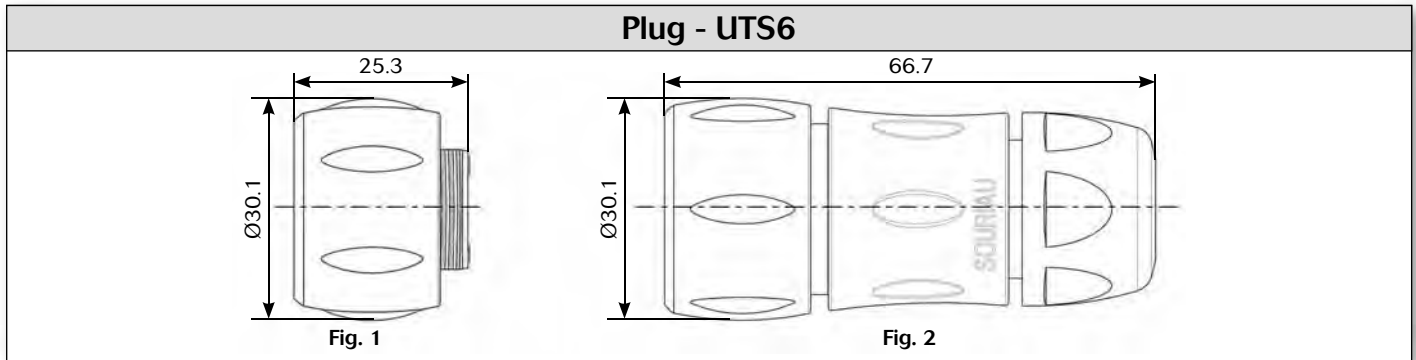
Specifications

| Contact type | Connector type | Backshell | Part number | |
|--|--|---------------------|--------------|---------------|
| | | | Male insert | Female insert |
| Hand solder electrical contacts loaded | Square flange receptacle | Without (Fig.6) | UTS012E14P | UTS012E14S |
| | Plug | Without (Fig.1) | UTS612E14P | UTS612E14S |
| | | Cable gland (Fig.2) | UTS6JC12E14P | UTS6JC12E14S |
| | Jam nut receptacle | Without (Fig.3) | UTS712E14P | UTS712E14S |
| PCB contacts loaded | Square flange receptacle | Without (Fig.7) | UTS012D14P | UTS012D14S |
| | Jam nut receptacle with stand off and with hold down clips | Without (Fig.4) | UTS712D14P32 | UTS712D14S32 |
| | Jam nut receptacle with stand off and without hold down clip | Without (Fig.5) | UTS712D14P | UTS712D14S |

Sealed unmated



Dimensions



Note: all dimensions are in mm



Accessories

Jam nut sealing caps

| | |
|-------------|-------------|
| Part number | Part number |
| UTS12DCG | UTS12DCGR |

Plug sealing cap

| |
|-------------|
| Part number |
| UTS612DCG |

Square flange sealing cap

| |
|-------------|
| Part number |
| UTS12DCGE |

Plastic protective cap

| Part numbers | |
|----------------|----------|
| Receptacle cap | Plug cap |
| 85005587A | 85005596 |

Gasket

| Part numbers / neoprene |
|-------------------------|
| UTFD13B |

Color coding rings

| Part numbers | |
|--------------|------------|
| Receptacles | Plugs |
| UTS712CCR | UTS612CCR |
| UTS712CCRY | UTS612CCRY |
| UTS712CCRG | UTS612CCRG |

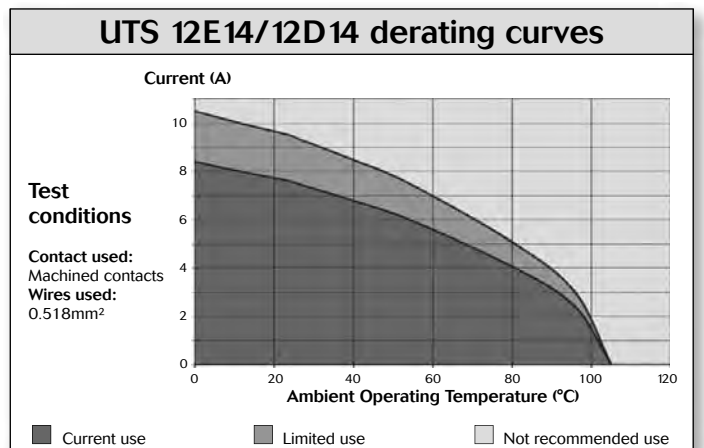
* Add G for Green, Y for Yellow, R for Red

Electrical characteristics

UL
4.5A 250V UL94 HB

CSA
4.5A 250V UL94 HB

IEC
5A 32V 1.5kV 3

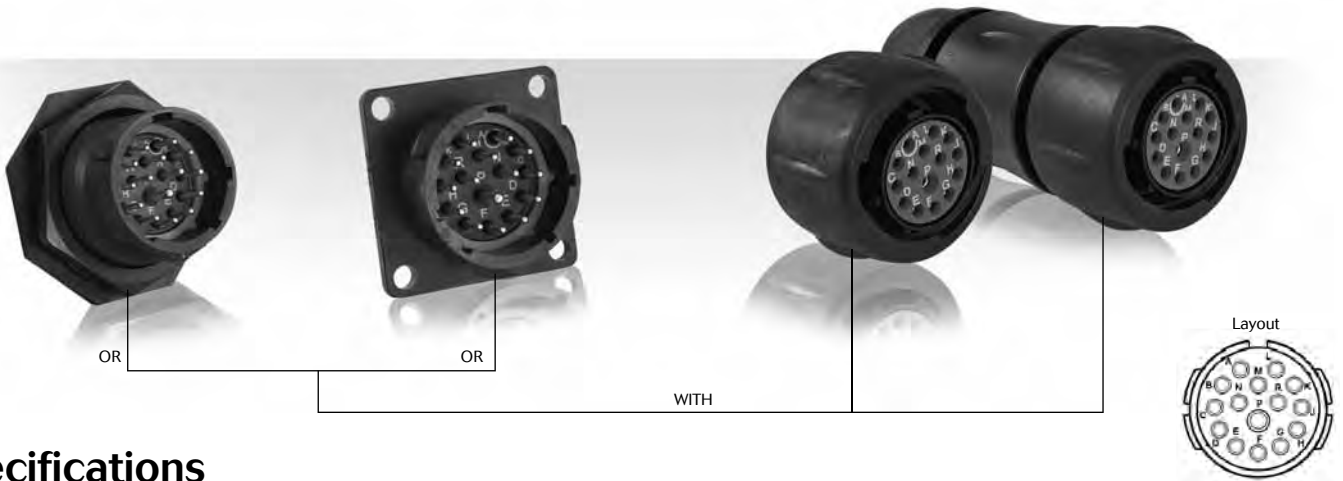


UTS Series
12E14/12D14



UTS Series

14E 15/14D 15



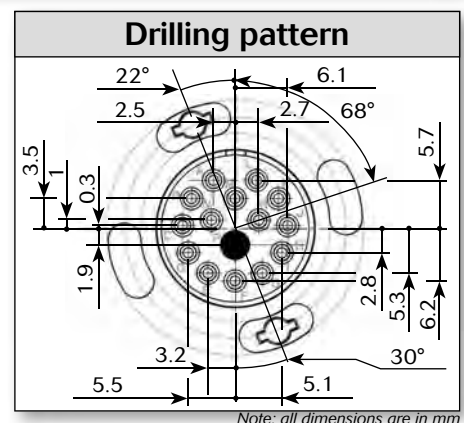
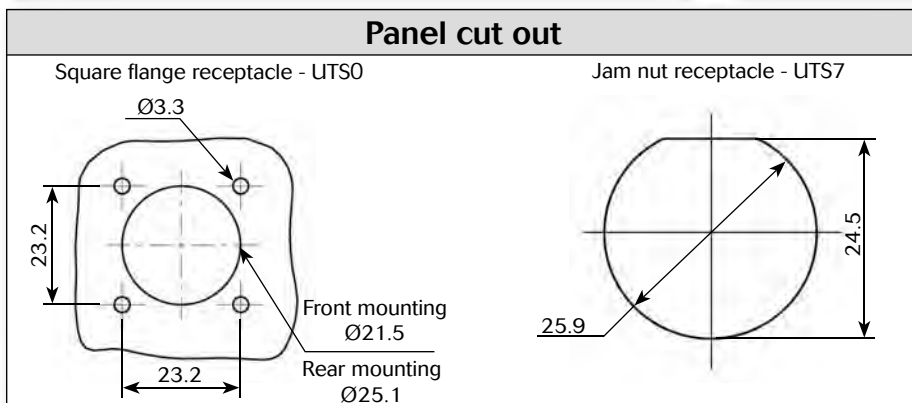
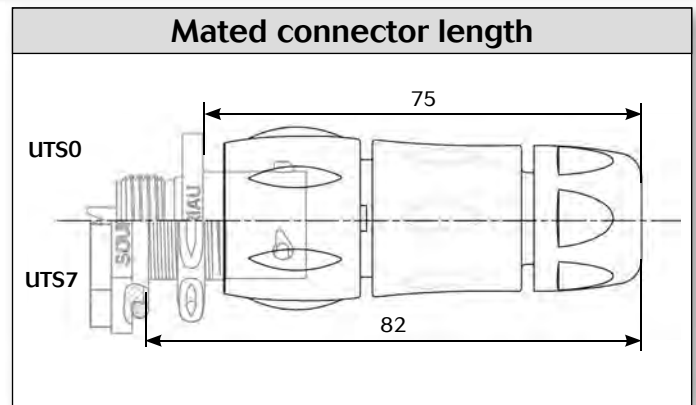
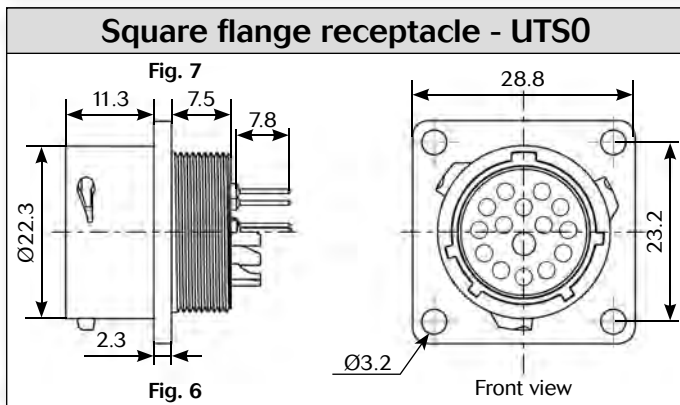
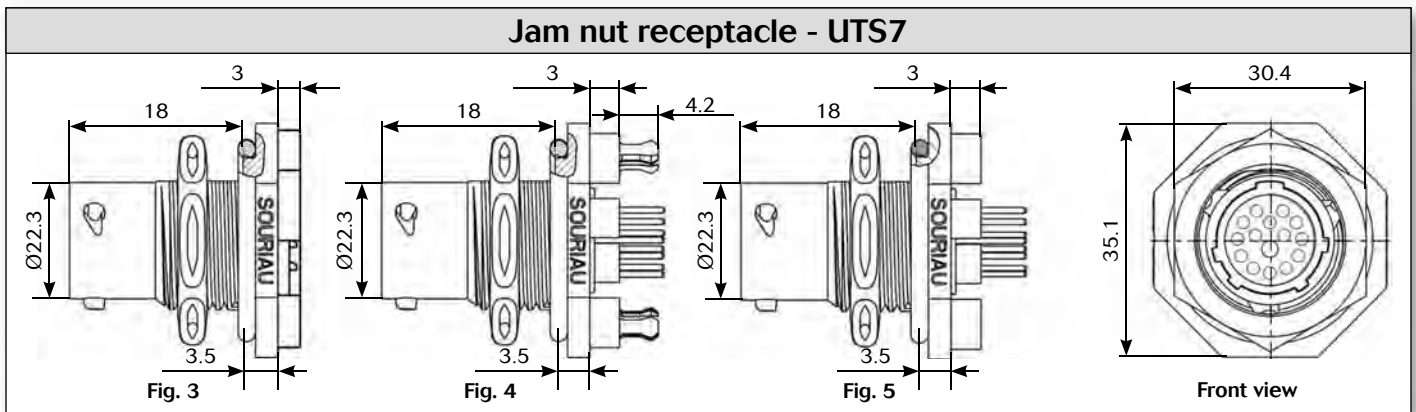
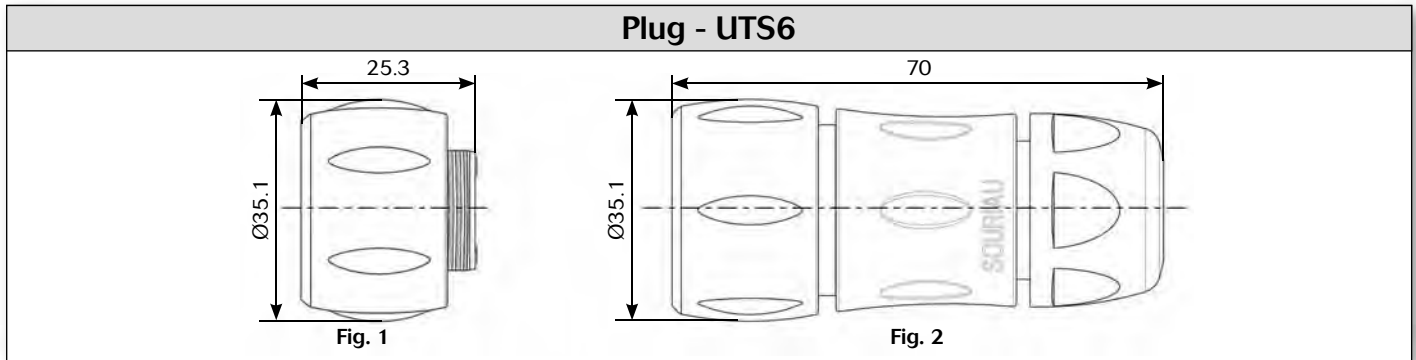
Specifications

| Contact type | Connector type | Backshell | Part number | |
|--|--|---------------------|--------------|---------------|
| | | | Male insert | Female insert |
| Hand solder electrical contacts loaded | Square flange receptacle | Without (Fig.6) | UTS014E15P | UTS014E15S |
| | Plug | Without (Fig.1) | UTS614E15P | UTS614E15S |
| | | Cable gland (Fig.2) | UTS6JC14E15P | UTS6JC14E15S |
| | Jam nut receptacle | Without (Fig.3) | UTS714E15P | UTS714E15S |
| PCB contacts loaded | Square flange receptacle | Without (Fig.7) | UTS014D15P | UTS014D15S |
| | Jam nut receptacle with stand off and with hold down clips | Without (Fig.4) | UTS714D15P32 | UTS714D15S32 |
| | Jam nut receptacle with stand off and without hold down clip | Without (Fig.5) | UTS714D15P | UTS714D15S |

Sealed unmatred



Dimensions





Accessories

Jam nut sealing caps

| | |
|-------------|-------------|
| Part number | Part number |
| UTS14DCG | UTS14DCGR |

Metal terminal

Plug sealing cap

| |
|-------------|
| Part number |
| UTS614DCG |

Square flange sealing cap

| |
|-------------|
| Part number |
| UTS14DCGE |

Metal terminal

Plastic protective cap

| Part numbers | |
|----------------|----------|
| Receptacle cap | Plug cap |
| 85005588A | 85005597 |

Gasket

| Part numbers / neoprene |
|-------------------------|
| UTFD14B |

Color coding rings

| Part numbers | |
|--------------|------------|
| Receptacles | Plugs |
| UTS714CCR | UTS614CCR |
| UTS714CCRY | UTS614CCRY |
| UTS714CCRG | UTS614CCRG |

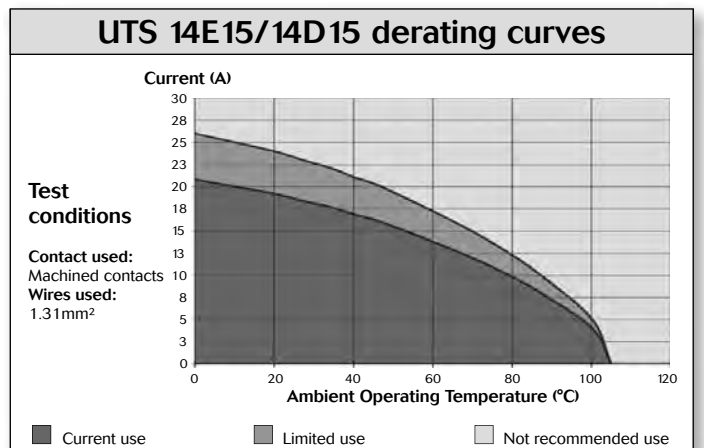
* Add G for Green, Y for Yellow, R for Red

Electrical characteristics

UL
12A 650V UL94 HB

CSA
12A 650V UL94 HB

IEC
4A 50V 1.5kV 3



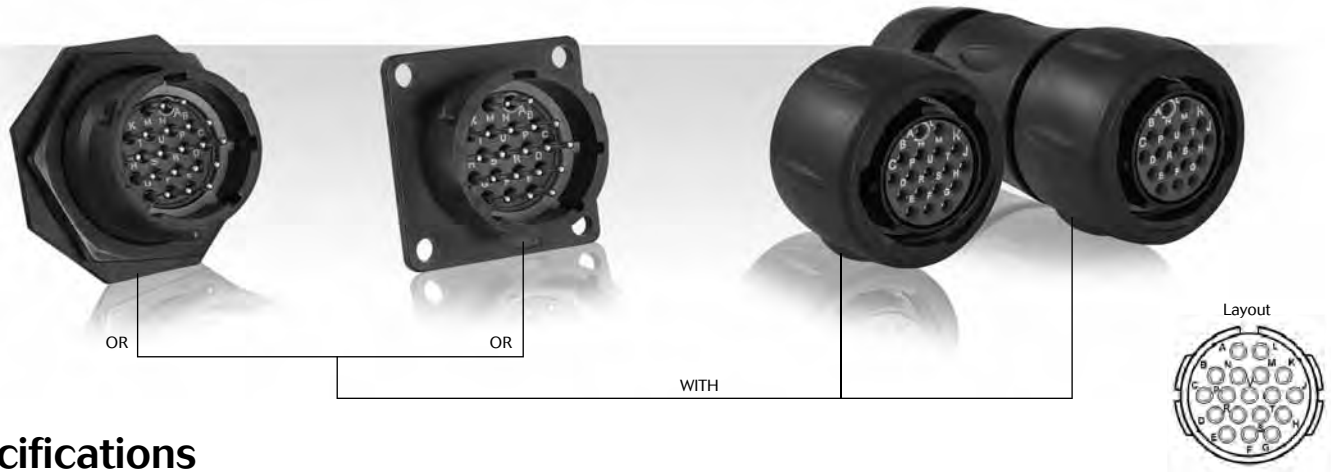
UTS Series

14E15/14D15



UTS Series

14E18/14D18



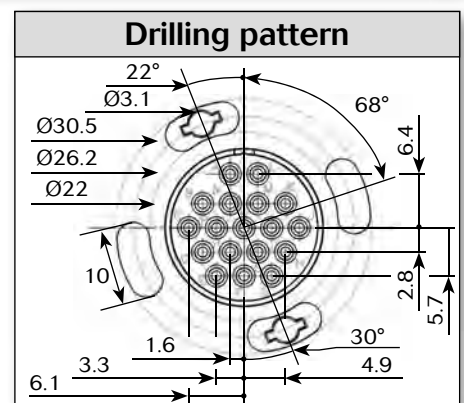
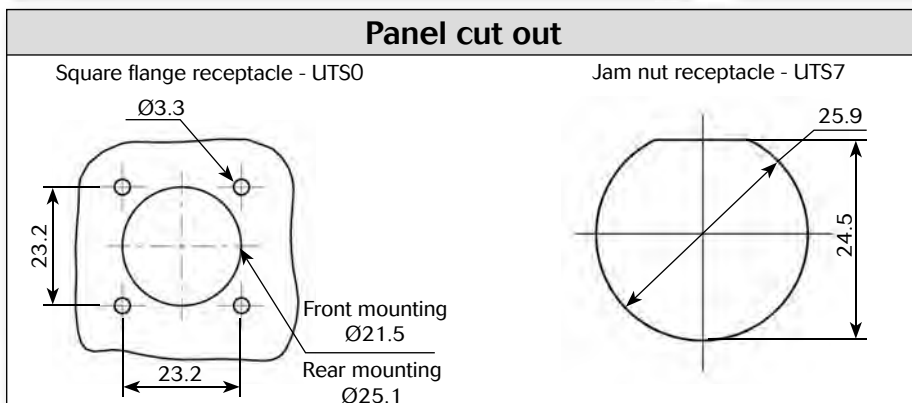
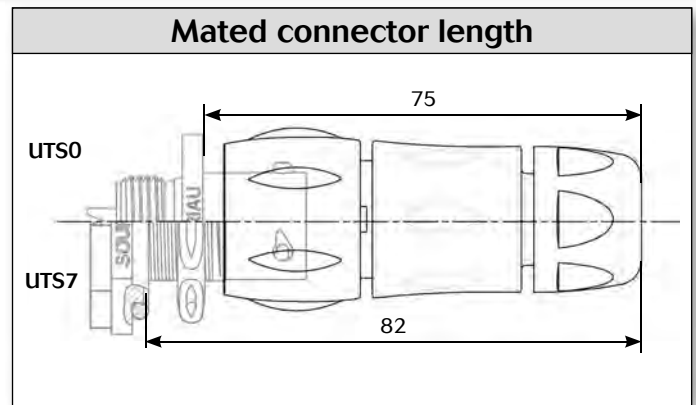
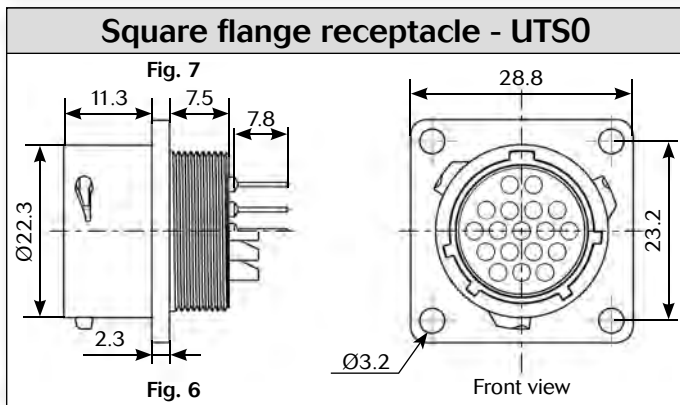
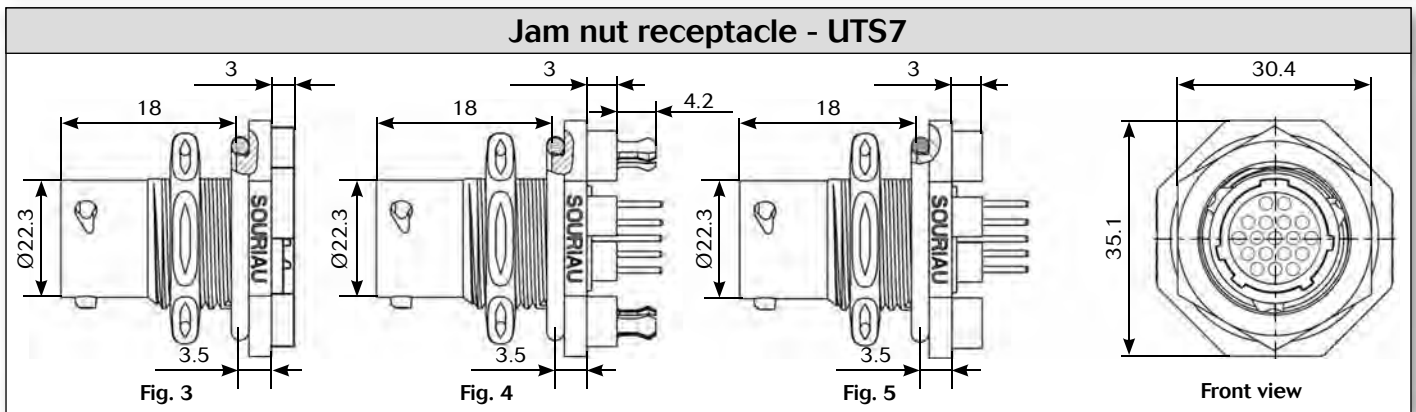
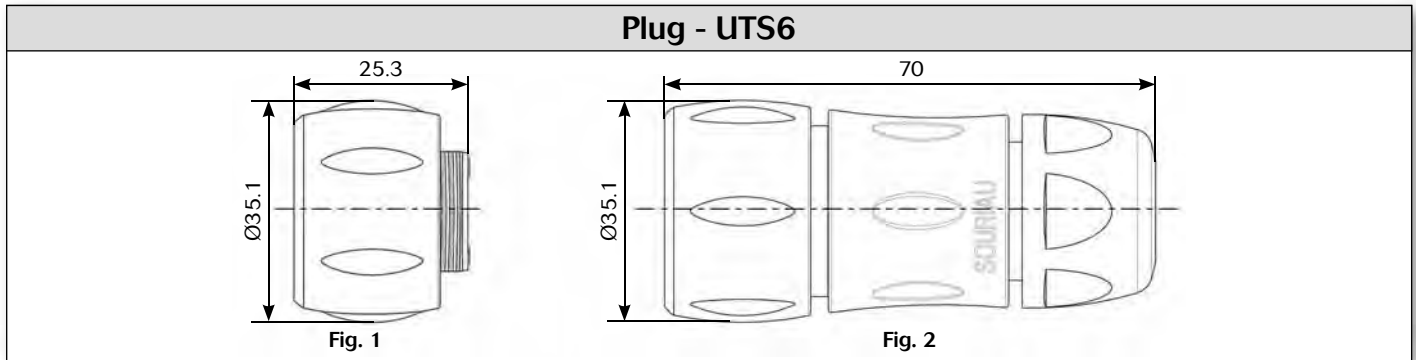
Specifications

| Contact type | Connector type | Backshell | Part number | |
|--|--|---------------------|--------------|---------------|
| | | | Male insert | Female insert |
| Hand solder electrical contacts loaded | Square flange receptacle | Without (Fig.6) | UTS014E18P | UTS014E18S |
| | Plug | Without (Fig.1) | UTS614E18P | UTS614E18S |
| | | Cable gland (Fig.2) | UTS6JC14E18P | UTS6JC14E18S |
| | Jam nut receptacle | Without (Fig.3) | UTS714E18P | UTS714E18S |
| PCB contacts loaded | Square flange receptacle | Without (Fig.7) | UTS014D18P | UTS014D18S |
| | Jam nut receptacle with stand off and with hold down clips | Without (Fig.4) | UTS714D18P32 | UTS714D18S32 |
| | Jam nut receptacle with stand off and without hold down clip | Without (Fig.5) | UTS714D18P | UTS714D18S |

Sealed unmatred



Dimensions



Note: all dimensions are in mm



Accessories

Jam nut sealing caps

Metal terminal

| |
|-------------|
| Part number |
| UTS14DCG |

| |
|-------------|
| Part number |
| UTS14DCGR |

Plug sealing cap

| |
|-------------|
| Part number |
| UTS614DCG |

Square flange sealing cap

Metal terminal

| |
|-------------|
| Part number |
| UTS14DCGE |

Plastic protective cap

| Part numbers | |
|----------------|----------|
| Receptacle cap | Plug cap |
| 85005588A | 85005597 |

Gasket

| Part numbers / neoprene |
|-------------------------|
| UTFD14B |

Color coding rings

G for Green
Y for Yellow
R for Red

| Part numbers | |
|--------------|------------|
| Receptacles | Plugs |
| UTS714CCR | UTS614CCR |
| UTS714CCRY | UTS614CCRY |
| UTS714CCRG | UTS614CCRG |

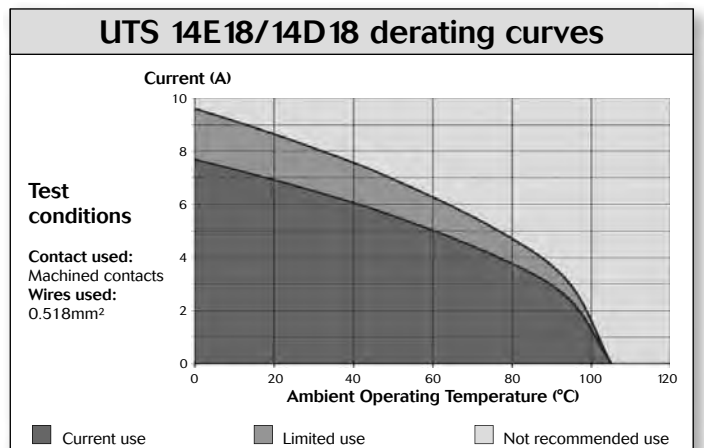
* Add G for Green, Y for Yellow, R for Red

Electrical characteristics

UL
4A 250V UL94 HB

CSA
4A 250V UL94 HB

IEC
5A 50V 1.5kV 3

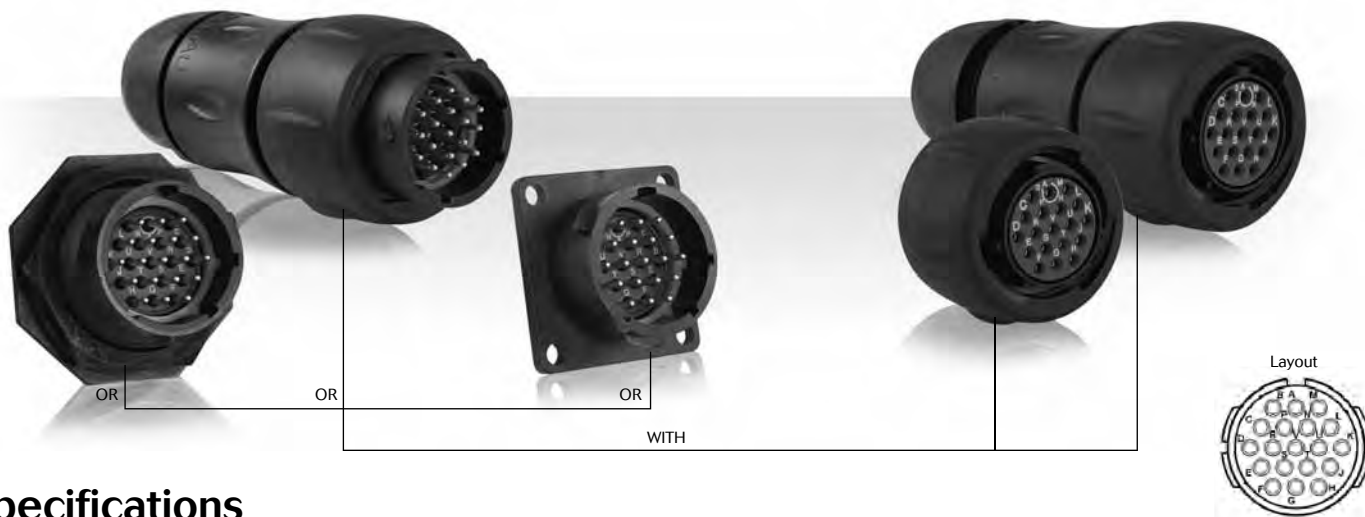
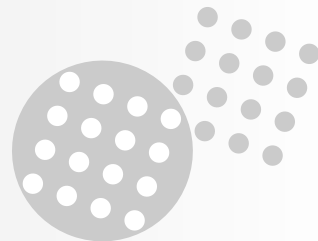


UTS Series
14E18/14D18



UTS Series

1419 - 14E19/14D19



Specifications

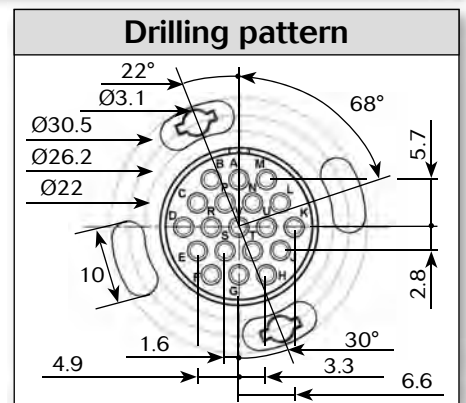
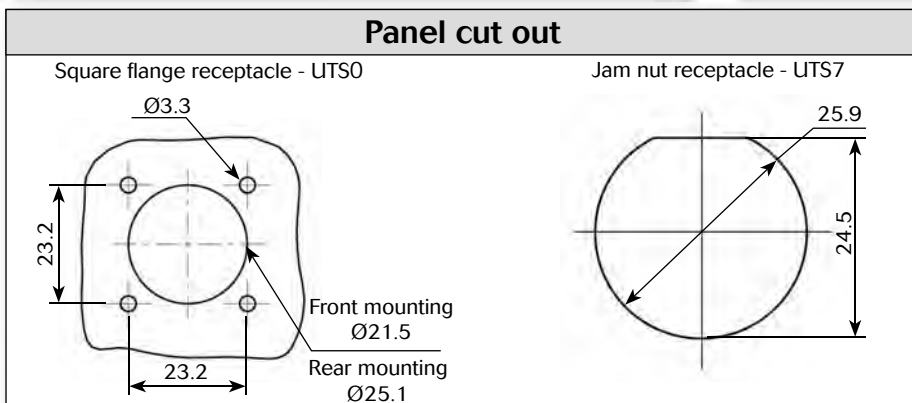
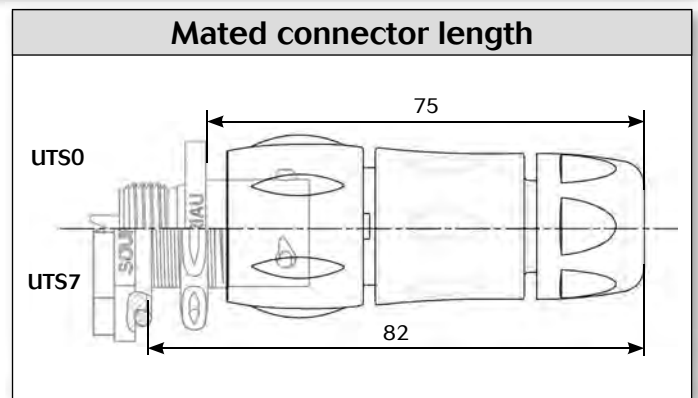
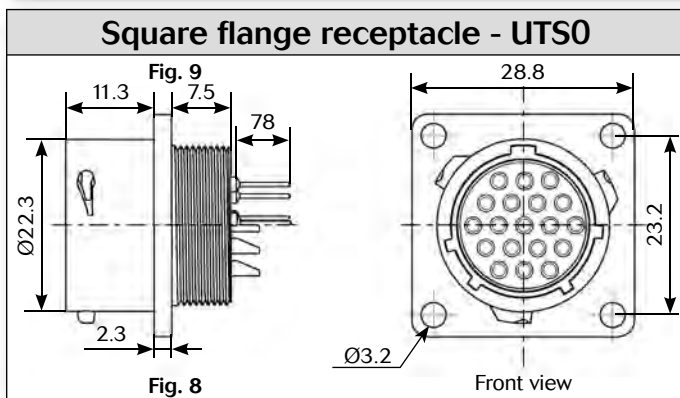
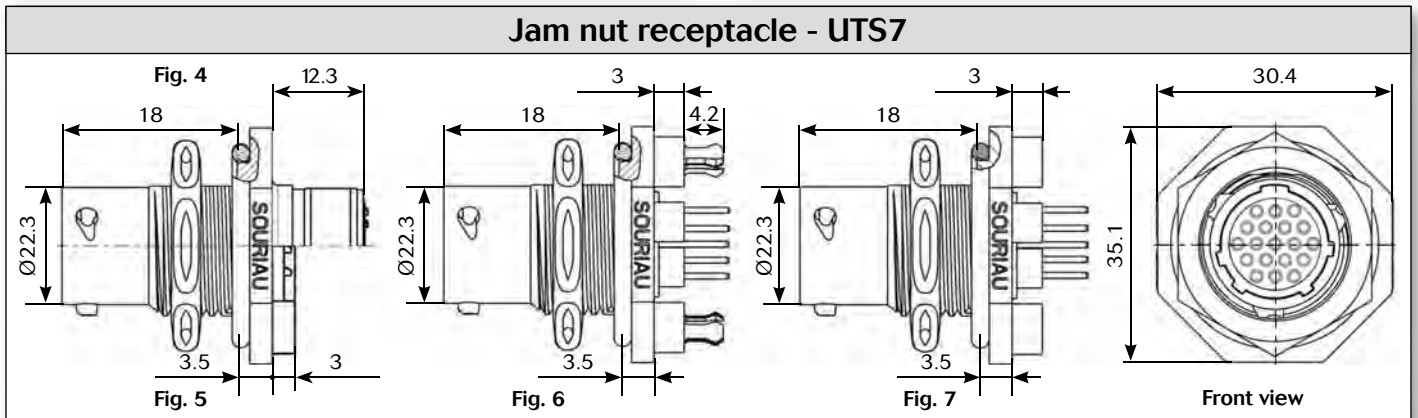
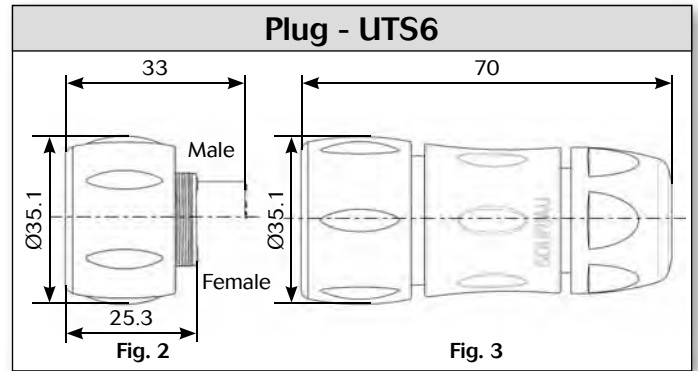
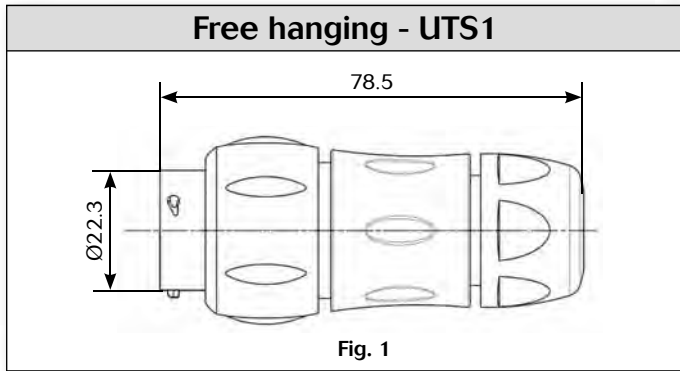
| Contact type | Connector type | Backshell | Part number | |
|---|--|---------------------|--------------|---------------|
| | | | Male insert | Female insert |
| Crimp contacts supply separately see page 131 | Free hanging receptacle | Cable gland (Fig.1) | UTS1JC1419P | UTS1JC1419S |
| | Plug | Without (Fig.2) | UTS61419P | UTS61419S |
| | Plug | Cable gland (Fig.3) | UTS6JC1419P | UTS6JC1419S |
| | Jam nut receptacle | Without (Fig.4) | UTS71419P | UTS71419S |
| PCB contacts supply separately see page 131 | Jam nut receptacle | Without (Fig.4) | UTS71419P | UTS71419S |
| Hand solder electrical contacts loaded | Square flange receptacle | Without (Fig.8) | UTS014E19P | UTS014E19S |
| | Plug | Without (Fig.2) | UTS614E19P | UTS614E19S |
| | | Cable gland (Fig.3) | UTS6JC14E19P | UTS6JC14E19S |
| | Jam nut receptacle | Without (Fig.5) | UTS714E19P | UTS714E19S |
| PCB contacts loaded | Square flange receptacle | Without (Fig.9) | UTS014D19P | UTS014D19S |
| | Jam nut receptacle with stand off and with hold down clips | Without (Fig.6) | UTS714D19P32 | UTS714D19S32 |
| | Jam nut receptacle with stand off and without hold down clip | Without (Fig.7) | UTS714D19P | UTS714D19S |

Sealed unmatred

Square flange receptacle




Dimensions






Accessories and tooling

Jam nut sealing caps



| |
|-------------|
| Part number |
| UTS14DCG |



Metal terminal


| |
|-------------|
| Part number |
| UTS14DCGR |

Handle



| |
|-------------|
| Part number |
| SHANGLES |

Tool kit



| |
|-------------|
| Part number |
| TOOLKIT |

Plug sealing cap



| |
|-------------|
| Part number |
| UTS614DCG |

Square flange sealing cap



Metal terminal


| |
|-------------|
| Part number |
| UTS14DCGE |

Plastic protective cap




| Part numbers | |
|----------------|----------|
| Receptacle cap | Plug cap |
| 85005588A | 85005597 |

Gasket



| |
|-------------------------|
| Part numbers / neoprene |
| UTFD14B |

Crimp tooling



| Contacts | Contact size | Part number of head |
|-----------------------------|-----------------------------------|---------------------|
| RM/RC 24W3K ⁽¹⁾ | Standard contacts #20 Ø 1mm | S20RM |
| RM/RC 20W3K ⁽¹⁾ | | S20RM |
| RM/RC 18W3K ⁽¹⁾ | | S20RM |
| SM/SC 24W3S ⁽²⁾ | | S20SCM20 |
| SM/SC 24WL3S ⁽³⁾ | | S20SCM20 |
| SM/SC 20W3S ⁽²⁾ | | S20SCM20 |
| SM/SC 20WL3S ⁽³⁾ | | S20SCM20 |


(1): example of plating, for other plating see UTS catalog page 143
 (2): contact reeled
 (3): loose contact

Color coding rings

G for Green

Y for Yellow

R for Red



| Part numbers | |
|--------------|------------|
| Receptacles | Plugs |
| UTS714CCRR | UTS614CCRR |
| UTS714CCRY | UTS614CCRY |
| UTS714CCRG | UTS614CCRG |

* Add G for Green, Y for Yellow, R for Red

UTS Series

1419 - 14E19/14D19



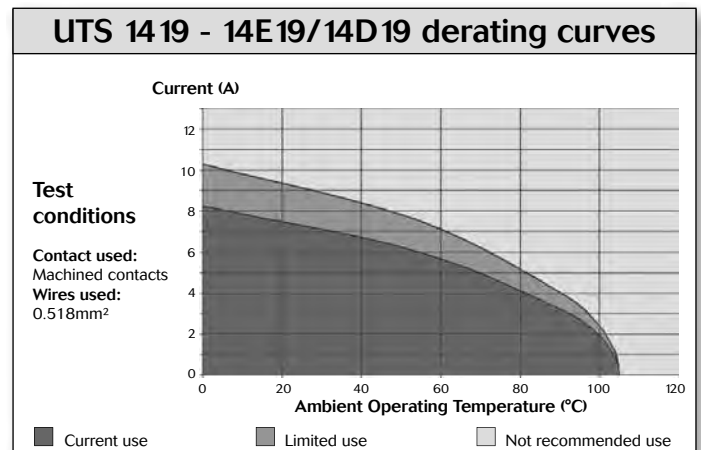
19 contacts
5A/32V
per IEC 61984

Contacts

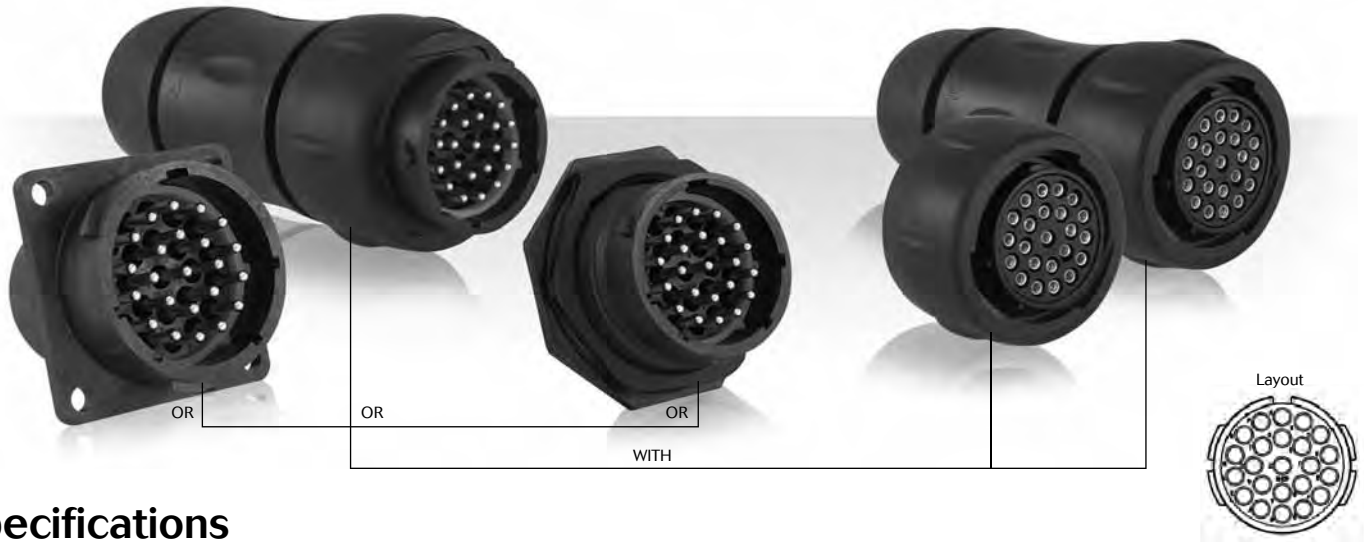
| #20 | Contact type | AWG | Part number | | Max wire Ø | Max insulator Ø |
|-------|----------------------------------|-------------------------|--------------------------|--------------------------|------------|-----------------|
| | | | Male | Female | | |
| Crimp | Machined | 26-24 | RM24W3K ⁽¹⁾ | RC24W3K ⁽¹⁾ | - | 1.58 |
| | | 22-20 | RM20W3K ⁽¹⁾ | RC20W3K ⁽¹⁾ | - | 1.58 |
| | | 20-18 | RM18W3K ⁽¹⁾ | RC18W3K ⁽¹⁾ | - | 2.1 |
| | stamped & formed reeled contacts | 26-24 | SM24W3TK6 ⁽²⁾ | SC24W3TK6 ⁽²⁾ | - | 0.89-1.58 |
| | | 26-24 | SM24W3TK6 ⁽²⁾ | SC24W3TK6 ⁽²⁾ | - | 0.89-1.58 |
| | | 22-20 | SM20W3TK6 ⁽²⁾ | SC20W3TK6 ⁽²⁾ | - | 1.17-2.08 |
| | | 22-20 | SM20W3TK6 ⁽²⁾ | SC20W3TK6 ⁽²⁾ | - | 1.17-2.08 |
| | PCB | Machined ⁽³⁾ | - | RMW5016K | RCW5016K | - |

(1): Example of plating, for other plating see page 143
 (2): Loose piece contact available if putting L. Example: SM20ML1-TK6
 (3): For dimensions see page 148

| Electrical characteristics | |
|----------------------------|------------------------|
| UTS 1419 | UTS 14E19/14D19 |
| UL | UL |
| 5A 250V UL94 V-0 | 4A 250V UL94 HB |
| CSA | CSA |
| 4A 250V UL94 V-0 | 4A 250V UL94 HB |
| IEC | |
| 5A 32V 1.5kV 3 | |



UTS Series 1823

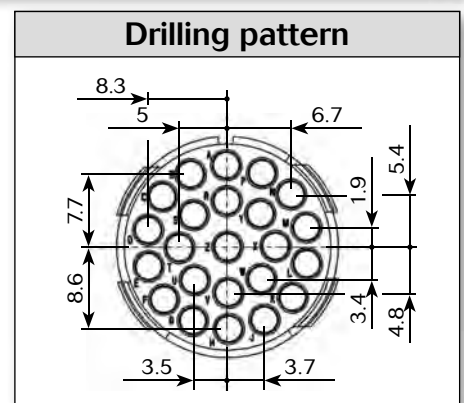
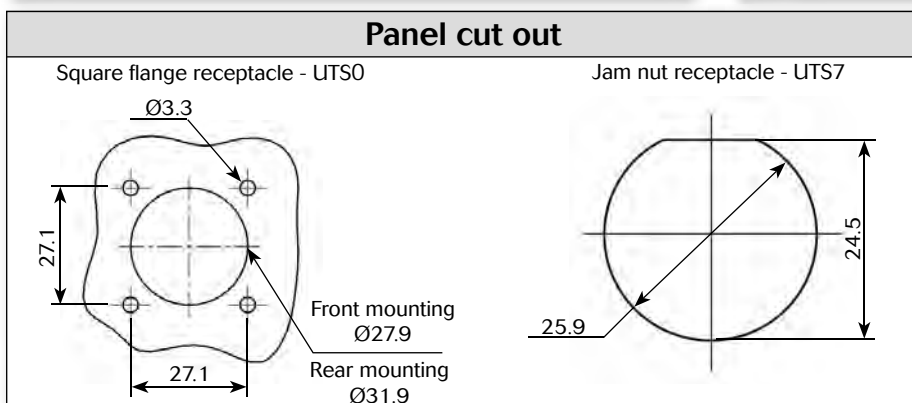
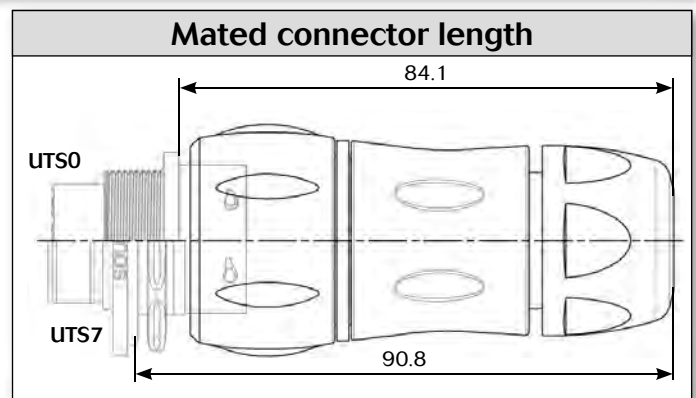
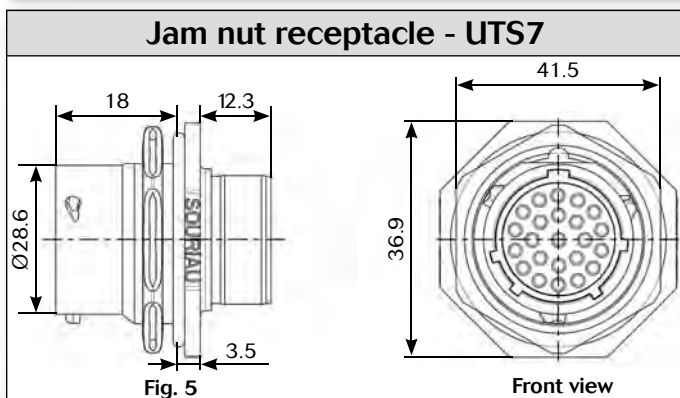
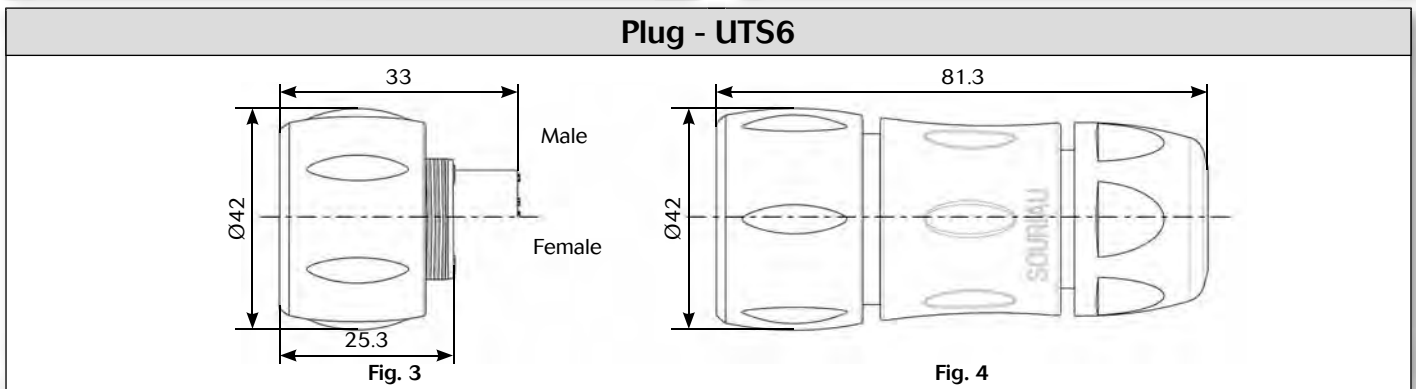
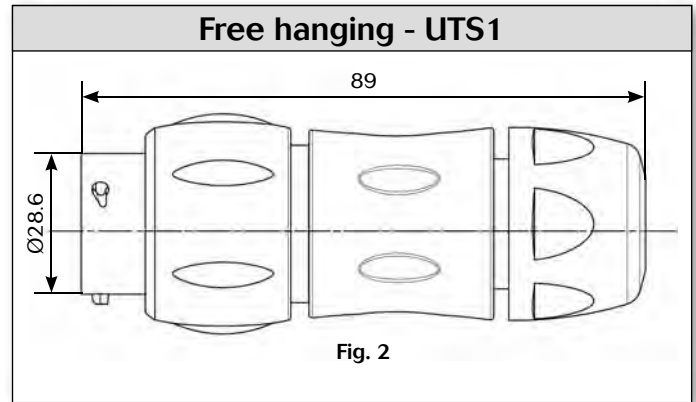
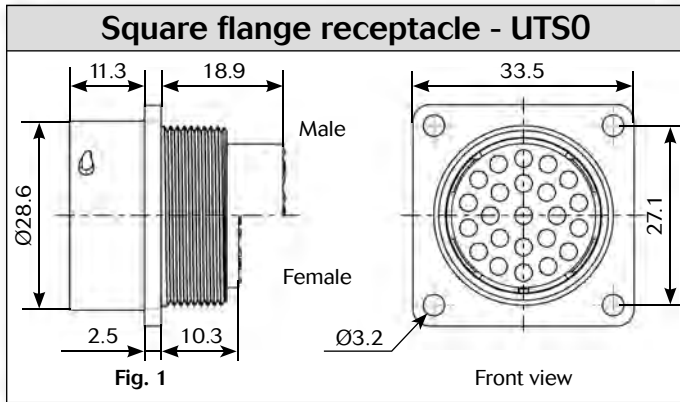


Specifications

| Contact type | Connector type | Backshell | Part number | |
|---|--------------------------|---------------------|-------------|---------------|
| | | | Male insert | Female insert |
| Crimp contacts supply separately see page 135 | Square flange receptacle | Without (Fig.1) | UTS01823P | UTS01823S |
| | Free hanging receptacle | Cable gland (Fig.2) | UTS1JC1823P | UTS1JC1823S |
| | Plug | Without (Fig.3) | UTS61823P | UTS61823S |
| | Plug | Cable gland (Fig.4) | UTS6JC1823P | UTS6JC1823S |
| | Jam nut receptacle | Without (Fig.5) | UTS71823P | UTS71823S |
| PCB contacts supply separately see page 135 | Square flange receptacle | Without (Fig.1) | UTS01823P | UTS01823S |
| | Jam nut receptacle | Without (Fig.5) | UTS71823P | UTS71823S |





Dimensions



Note: all dimensions are in mm



Accessories and tooling

| Jam nut sealing caps | |
|---|---|
|  |  |
| Part number | Part number |
| UTS18DCG | UTS18DCGR |

Metal terminal

| Handle |
|--|
|  |
| Part number |
| SHANGLES |


| Tool kit |
|---|
|  |
| Part number |
| TOOLKIT |


| Plug sealing cap |
|--|
|  |
| Part number |
| UTS618DCG |

| Square flange sealing cap |
|--|
|  |
| Part number |
| UTS18DCGE |

Metal terminal

| Plastic protective cap | |
|---|-----------|
|  | |
| Part numbers | |
| Receptacle cap | Plug cap |
| 8500-5590A | 8500-5599 |

| Gasket |
|---|
|  |
| Part numbers / neoprene |
| UTFD16B |

| Crimp tooling | | | |
|---|-------------------------------------|---------------------|---------|
|  | | | |
| Contacts | Contact size | Part number of head | |
| RM/RC 28M1K ⁽¹⁾ | Standard contacts #16 Ø 1.6mm | S16RCM20 | |
| RM/RC 24M9K ⁽¹⁾ | | S16RCM20 | |
| RM/RC 20M13K ⁽¹⁾ | | S16RCM20 | |
| RM/RC 20M12K ⁽¹⁾ | | S16RCM20 | |
| RM/RC 16M23K ⁽¹⁾ | | S16RCM16 | |
| RM/RC 14M50K ⁽¹⁾ | | S16RCM1450 | |
| RM/RC 14M30K ⁽¹⁾ | | S16RCM14 | |
| SM/SC 24ML1TK6 ⁽¹⁾ | | S16SCM20 | |
| SM/SC 20ML1TK6 ⁽¹⁾ | | S16SCM20 | |
| SM/SC 16ML1TK6 ⁽¹⁾ | | S16SCML1 | |
| SM/SC 14ML1TK6 ⁽¹⁾ | | S16SCML1 | |
| SM/SC 16ML1TK6 ⁽¹⁾ | | S16SCML11 | |
| RMDXK10D28K | | Coaxial contacts | M10S-1J |
| RCDXK1D28K | | | M10S-1J |
| RM/RC DX60xxD28K | M10S-1J | | |
| RM/RC DXK10D28 + york090 | M10S-1J | | |
| RM/RC DX60xxD28 | M10S-1J | | |

(1): example of plating, for other plating see UTS catalog page 143

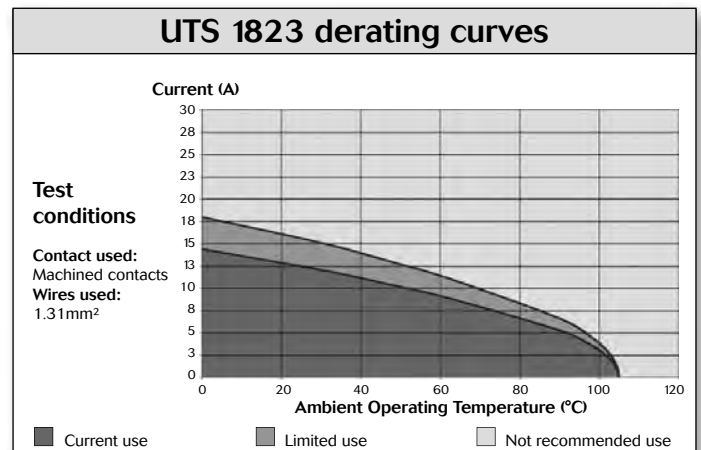


Contacts

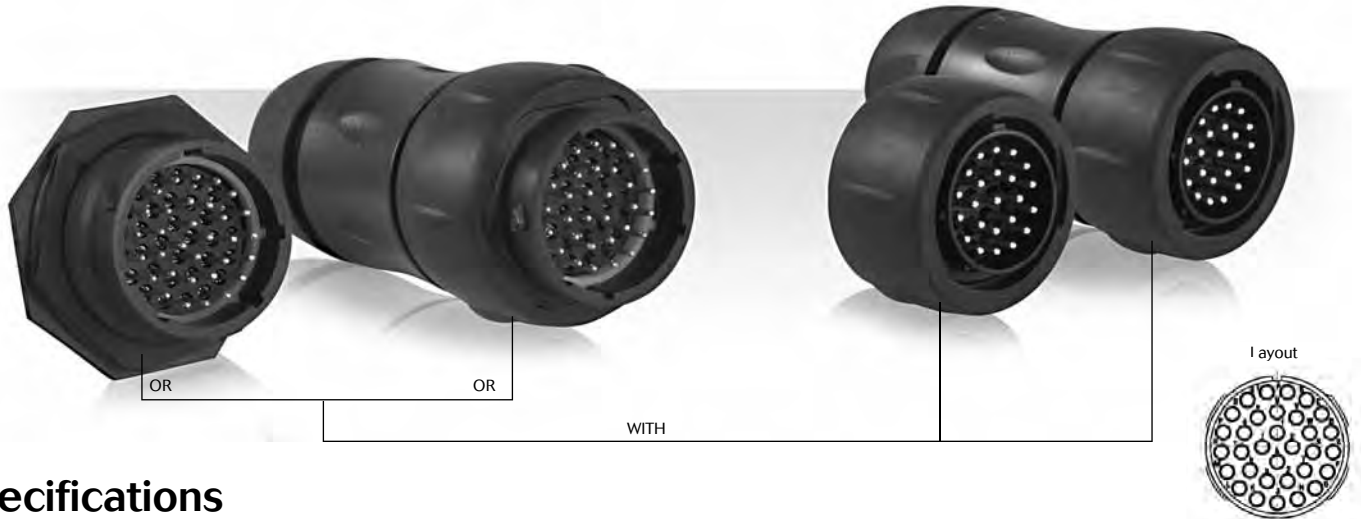
| #16 | Contact type | AWG | Part number | | Max wire Ø | Max insulator Ø |
|-------------|---------------------------------------|------------------------------|------------------------------|-----------------------------|------------|-----------------|
| | | | Male | Female | | |
| Crimp | Machined | 30-28 | RM28M1K ⁽¹⁾ | RC28M1K ⁽¹⁾ | 0.55 | 1.1 |
| | | 26-24 | RM24M9K ⁽¹⁾ | RC24M9K ⁽¹⁾ | 0.8 | 1.6 |
| | | 22-20 | RM20M13K ⁽¹⁾ | RC20M13K ⁽¹⁾ | 1.18 | 1.8 |
| | | 22-20 | RM20M12K ⁽¹⁾ | RC20M12K ⁽¹⁾ | 1.18 | 2.2 |
| | | 20-16 | RM16M23K ⁽¹⁾ | RC16M23K ⁽¹⁾ | 1.8 | 3.2 |
| | | 16-14 | RM14M50K ⁽¹⁾ | RC14M50K ⁽¹⁾ | 2.05 | 3.2 |
| | | 16-14 | RM14M30K ⁽¹⁾ | RC14M30K ⁽¹⁾ | 2.28 | 3.2 |
| | Stamped & formed reeled contacts | 26-24 | SM24M1TK6 ⁽¹⁾⁽²⁾ | SC24M1TK6 ⁽¹⁾⁽²⁾ | 0.89-1.28 | - |
| | | 22-20 | SM20M1TK6 ⁽¹⁾⁽²⁾ | SC20M1TK6 ⁽¹⁾⁽²⁾ | 1.17-2.08 | - |
| | | 18-16 | SM16M1TK6 ⁽¹⁾⁽²⁾ | SC16M1TK6 ⁽¹⁾⁽²⁾ | 3.0 | - |
| 18-16 | | SM16M11TK6 ⁽¹⁾⁽²⁾ | SC16M11TK6 ⁽¹⁾⁽²⁾ | 2.0-3.0 | - | |
| 14 | | SM14M1TK6 ⁽¹⁾⁽²⁾ | SC14M1TK6 ⁽¹⁾⁽²⁾ | 3.2 | - | |
| PCB | Machined ⁽³⁾ | - | RM20M12E8K ⁽¹⁾ | RC20M12E84K ⁽¹⁾ | - | - |
| Coaxial | Cable Multipiece | - | RMDXK10D28 | RCDXK1D28 | - | - |
| | Cable Monocrimp | - | RMDX60xxD28 | RCDX60xxD28 | - | - |
| | Twisted pair Multipiece | - | RMDXK10D28 + york090 | RCDXK1D28 + york090 | - | - |
| | Twisted pair Monocrimp | - | RMDX60xxD28 | RCDX60xxD28 | - | - |
| Fiber optic | POF contacts Plastic optical fibre | - | RMPOF1000 | RCPOF1000B | - | - |

(1): Example of plating, for other plating see page 143
 (2): Loose piece contact available if putting L. Example: SM20ML1-TK6
 (3): For dimensions see page 148

| Electrical characteristics |
|--|
| <p>UL 10A 500V UL94 V-0</p> <p>CSA 7A 500V UL94 V-0</p> <p>IEC 9A 63V 1.5kV 3</p> |



UTS Series 1832





Specifications

| Contact type | Connector type | Backshell | Part number | |
|--|-------------------------|---------------------|-------------|---------------|
| | | | Male insert | Female insert |
| Crimp contact supply separately see page 139 | Free hanging receptacle | Cable gland (Fig.1) | UTS1JC1832P | UTS1JC1832S |
| | Plug | Without (Fig.2) | UTS61832P | UTS61832S |
| | Plug | Cable gland (Fig.3) | UTS6JC1832P | UTS6JC1832S |
| | Jam nut receptacle | Without (Fig.4) | UTS71832P | UTS71832S |
| PCB contacts supply separately see page 139 | Jam nut receptacle | Without (Fig.4) | UTS71832P | UTS71832S |




Accessories and tooling

| Jam nut sealing caps | |
|---|---|
|  |  |
| Part number | Part number |
| UTS18DCG | UTS18DCGR |

Metal terminal

| Handle |
|--|
|  |
| Part number |
| SHANDLES |


| Tool kit |
|---|
|  |
| Part number |
| TOOLKIT |


| Plug sealing cap |
|--|
|  |
| Part number |
| UTS618DCG |

| Square flange sealing cap |
|--|
|  |
| Part number |
| UTS18DCGE |

Metal terminal

| Plastic protective cap | |
|---|-----------|
|  | |
| Part numbers | |
| Receptacle cap | Plug cap |
| 8500-5590A | 8500-5599 |

| Gasket |
|---|
|  |
| Part numbers / neoprene |
| UTFD16B |

| Crimp tooling | | |
|---|-----------------------------------|---------------------|
|  | | |
| Contacts | Contact size | Part number of head |
| RM/RC 24W3K ⁽¹⁾ | Standard contacts #20 Ø 1mm | S20RM |
| RM/RC 20W3K ⁽¹⁾ | | S20RM |
| RM/RC 18W3K ⁽¹⁾ | | S20RM |
| SM/SC 24W3S ⁽²⁾ | | S20SCM20 |
| SM/SC 24WL3S ⁽³⁾ | | S20SCM20 |
| SM/SC 20W3S ⁽²⁾ | | S20SCM20 |
| SM/SC 20WL3S ⁽³⁾ | | S20SCM20 |

(1): example of plating, for other plating see UTS catalog page 143
 (2): contact reeled
 (3): loose contact

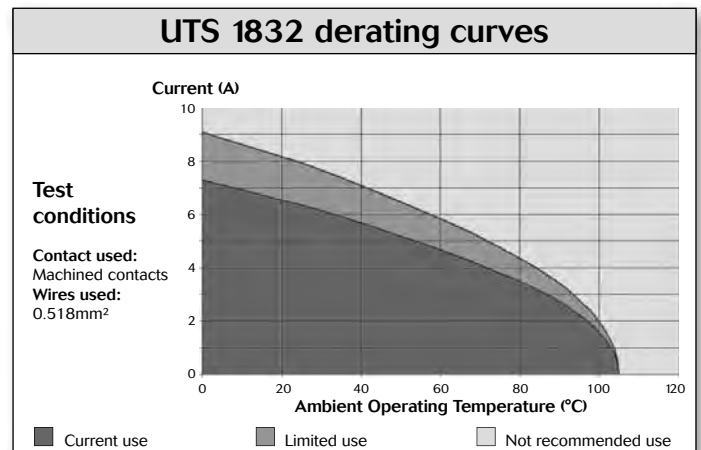


Contacts

| #20 | Contact type | AWG | Part number | | Max wire Ø | Max insulator Ø |
|-------|----------------------------------|-------------------------|--------------------------|--------------------------|------------|-----------------|
| | | | Male | Female | | |
| Crimp | Machined | 26-24 | RM24W3K ⁽¹⁾ | RC24W3K ⁽¹⁾ | - | 1.58 |
| | | 22-20 | RM20W3K ⁽¹⁾ | RC20W3K ⁽¹⁾ | - | 1.58 |
| | | 20-18 | RM18W3K ⁽¹⁾ | RC18W3K ⁽¹⁾ | - | 2.1 |
| | stamped & formed reeled contacts | 26-24 | SM24W3TK6 ⁽²⁾ | SC24W3TK6 ⁽²⁾ | - | 0.89-1.58 |
| | | 26-24 | SM24W3TK6 ⁽²⁾ | SC24W3TK6 ⁽²⁾ | - | 0.89-1.58 |
| | | 22-20 | SM20W3TK6 ⁽²⁾ | SC20W3TK6 ⁽²⁾ | - | 1.17-2.08 |
| | | 22-20 | SM20W3TK6 ⁽²⁾ | SC20W3TK6 ⁽²⁾ | - | 1.17-2.08 |
| | PCB | Machined ⁽³⁾ | - | RMW5016K | RCW5016K | - |

(1): Example of plating, for other plating see page 143
 (2): Loose piece contact available if putting L. Example: SM20ML1-TK6
 (3): For dimensions see page 148

| Electrical characteristics |
|---|
| <p>UL 5A 250V UL94 V-0</p> <p>CSA 4A 250V UL94 V-0</p> <p>IEC 4A 32V 1.5kV 3</p> |





QUIT'S Series

Contacts

- Description 142
- Contact plating selector guide 143
- Contact selector guide 144
- Packaging 144
- Crimp contacts 145
- #16 coaxial contacts 147
- PCB contacts 148
- Fibre optic contacts 149



Contacts



Description

The UTS series is delivered with (solder and PCB versions) or without contact (crimp version). When contacts are not loaded, this series offers the unique possibility to use the same contact in any layout as long as it receives the same active part size. Thus it is possible to buy only one contact reference and equip all connectors even if housings are different.

The main benefit is the standardisation which means reduction of inventory cost.

Bearing in mind that any additional tool or complicated assembly process should be avoided, our contacts are based on a snap-in principle which avoid the use of an insertion tool.

Crimp contacts are available in different versions:



• machined



• stamped & formed



• coaxial



• fiber optic

In addition, UTS series can obviously be equipped with solder contacts, PCB contacts, screw termination.



Contact plating selector guide

As soon as you know what contact size you need, you next have to decide on which type to use.

Souriau proposes mainly two different types of electrical contacts:

- Machined
- Stamped & formed

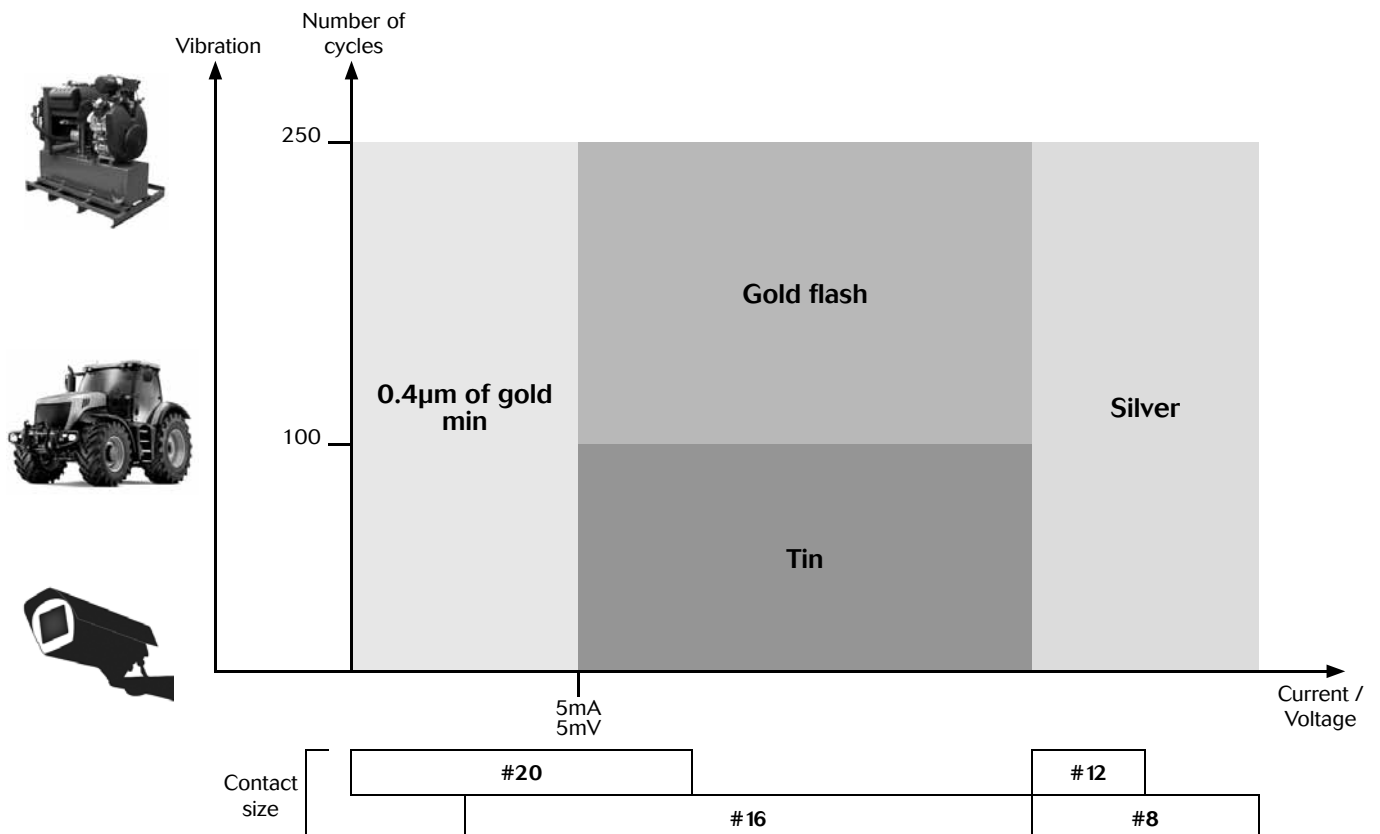
Machined contacts are generally chosen for low quantities purpose as well as a better solution for power applications.

Stamped & formed contacts offer the ability to be crimped automatically which makes them more suitable for high volume production applications.

Then comes the question: What plating should I choose ?

Hereunder is a graph with criteria to guide you:

NB: do not mix different plating (e.g. tin plated pin contact with gold plated socket contact).





Contact selector guide

Contact preloaded

| Electrical characteristics: contact resistance | | |
|---|----------|-------|
| #20 Ø1mm | Machined | < 4mΩ |
| #16 Ø1.6mm | Machined | < 3mΩ |

| Available platings (contact preloaded) | |
|--|--|
| Min 0.4μ gold over 2μ Ni | |

Contact supply separately

| Electrical characteristics: contact resistance | | |
|---|------------------|--------|
| #20 Ø1mm | Machined | < 6mΩ |
| | Stamped & formed | < 15mΩ |
| #16 Ø1.6mm | Machined | < 3mΩ |
| | Stamped & formed | < 6mΩ |
| #12 Ø2.4mm | Machined | < 5mΩ |
| #8 Ø3.6mm | Machined | < 5mΩ |

| Available platings (contact supply separately) | |
|--|--|
| A | 2μ Ni + 2μ Ag |
| J | Gold flash over 2μ Ni |
| K | Min 0.4μ gold over 2μ Ni |
| S31 | Active part: Gold flash over Ni Crimp area: Nickel |
| S18 | Active part: 0.75μ gold min over 2μ Ni Crimp area: 1.3μ tin over Ni Other: Nickel |
| S25 S26 | Active part: 0.75μ Au over Ni Crimp area: flash Au over Ni |
| TK6 | 2-5μ Sn pre-plated |

Packaging

Conscious of the wide variety of applications, contact packaging has been considered for small series (bulk packaging) and high volume production (reeled contacts):

Size contacts #20 & #16



- 25 pieces bulk packing (stamped & formed contacts)



- 50 pieces bulk packing (machined contacts)



- 1000 pieces bulk packing (machined contacts)



- 3000 pieces reeled (stamped & formed contacts)

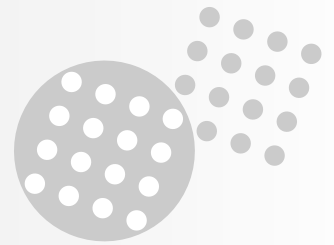


- 5000 pieces reeled (machined contacts)

Size contacts #12 & #8



- 100 pieces bulk packing (stamped & formed contacts)



Crimp contacts

Standard version



| Contact size | Type | Wire size | | Part number | | Max wire Ø | Max insulator Ø | Plating available |
|------------------|------------------|-----------|-----------------|--------------|-------------|--------------------|--------------------|-----------------------------------|
| | | AWG | mm ² | Male | Female | | | |
| #20 Ø1 mm | Machined | 26-24 | 0.13-0.20 | RM24W3K | RC24W3K | | 1.58 max | K |
| | Stamped & Formed | 26-24 | 0.13-0.25 | SM24W3-(1) | SC24W3-(1) | | 0.89-1.58 | TK6 S25 (female) S26 (male) |
| | | | | SM24WL3-(2) | SC24WL3-(2) | | | |
| | Machined | 22-20 | 0.32-0.52 | RM20W3K | RC20W3K | | 1.58 max | K |
| | Stamped & Formed | 22-20 | 0.35-0.5 | SM20W3-(1) | SC20W3-(1) | | 1.17-2.08 | TK6 S25 (female) S26 (male) |
| SM20WL3-(2) | | | | SC20WL3-(2) | | | | |
| Machined | 20-18 | 0.50-0.93 | RM18W3K | RC18W3K | | 2.10 max | K | |
| #16 Ø1.6 mm | Machined | 30-28 | 0.05-0.08 | RM28M1- | RC28M1- | 0.55 | 1.1 | K, J |
| | Machined | 26-24 | 0.13-0.2 | RM24M9- | RC24M9- | 0.8 | 1.6 | K, J |
| | Stamped & Formed | 26-24 | 0.13-0.25 | SM24M1-(1) | SC24M1-(1) | 0.89-1.28 | Insulation grip | S31, S18, TK6 |
| | | | | SM24ML1-(2) | SC24ML1-(2) | | | |
| | Machined | 22-20 | 0.32-0.52 | RM20M13- | RC20M13- | 1.18 | 1.8 | K, J |
| | | | | RM20M12- | RC20M12- | | 2.2 | |
| | Stamped & Formed | 22-20 | 0.35-0.5 | SM20M1-(1) | SC20M1-(1) | 1.17-2.08 | Insulation grip | S31, S18, TK6 |
| | | | | SM20ML1-(2) | SC20ML1-(2) | | | |
| | Machined | 20-16 | 0.52-1.5 | RM16M23- | RC16M23- | 1.8 | 3.2 | K, J |
| | Stamped & Formed | 18-16 | 0.8-1.5 | SM16M1-(1) | SC16M1-(1) | 3.0 | No insulation grip | S31, S18, TK6 |
| | | | | SM16ML1-(2) | SC16ML1-(2) | | | |
| Stamped & Formed | 18-16 | 0.8-1.5 | SM16M11-(1) | SC16M11-(1) | 2.0-3.0 | Insulation grip | S31, S18, TK6 | |
| | | | SM16ML11-(2) | SC16ML11-(2) | | | | |
| Machined | 16-14 | 1.5-2.5 | RM14M50- | RC14M50- | 2.05 | 3.2 | K, J | |
| Machined | 16-14 | 1.5-2.5 | RM14M30- | RC14M30- | 2.28 | 3.2 | K, J | |
| Stamped & Formed | 14 | 2.0-2.5 | SM14M1-(1) | SC14M1-(1) | 3.2 | No insulation grip | S31, S18, TK6 | |
| | | | SM14ML1-(2) | SC14ML1-(2) | | | | |
| #12 Ø2.4 mm | Machined | 22 | 0.13-0.4 | 82911457NA | 82911456A | - | 4.9 | A, K |
| | | 20 | 0.5 | 82911459NA | 82911458A | | | |
| | | 18 | 0.75-1.0 | 82911461NA | 82911460A | | | |
| | | 16 | 1.5 | 82911463NA | 82911462A | | | |
| | | 14 | 2.5 | 82911465NA | 82911464A | | | |
| | | 12 | 4 | 82911467NA | 82911466A | | | |
| #8 Ø3.6 mm | Machined | 16 | 1.5 | 82913601A | 82913600A | - | 6.5 | A |
| | | 14 | 2.5 | 82913603A | 82913602A | | | |
| | | 12 | 4 | 82913605A | 82913604A | | | |
| | | 10 | 6.0 | 82913607A | 82913606A | | | |
| | | 8 | 10.0 | 82913609A | 82913608A | | | |

(1) contact reeled (2) loose contact

Example: RM24W3K - Size #20, Machined, AWG24 wire.



Crimp contacts

First Mate Last Break contacts

| Contact size | Type | Wire size | | Part number | | Max wire Ø | Max insulator Ø | Color band | | Plating available |
|--|----------|-------------|-----------------|-------------|-------------|------------|-----------------|------------|------|-------------------|
| | | AWG | mm ² | Male | Female | | | Front | Rear | |
| # 16 Ø1.6 mm Longer male contact (+1mm) | Machined | 30-28 | 0.05-0.08 | RM28M1GE1□ | - | 0.55 | 1.1 | - | Red | □ = K, J |
| | | 26-24 | 0.13-0.2 | RM24M9GE1□ | | 0.8 | 1.6 | Red | Red | |
| | | 22-20 | 0.32-0.52 | RM20M13GE1□ | | 1.18 | 1.8 | Black | Red | |
| | | | | RM20M12GE1□ | | | 2.2 | Blue | Red | |
| | | 20-16 | 0.52-1.5 | RM16M23GE1□ | | 1.8 | 3.2 | - | Red | |
| | | 16-14 | 1.5-2.5 | RM14M50GE1□ | | 2.05 | - | - | Red | |
| 16-14 | 1.5-2.5 | RM14M30GE1□ | 2.28 | - | - | Red | | | | |
| # 16 Ø1.6 mm Shorter female contact (-0.7mm) | Machined | 30-28 | 0.05-0.08 | - | RC28M1GE7□ | 0.55 | 1.1 | - | Blue | □ = K, J |
| | | 26-24 | 0.13-0.2 | | RC24M9GE7□ | 0.8 | 1.6 | Red | Blue | |
| | | 22-20 | 0.32-0.52 | | RC20M13GE7□ | 1.18 | 1.8 | Black | Blue | |
| | | | | | RC20M12GE7□ | | 2.2 | Blue | Blue | |
| | | 20-16 | 0.52-1.5 | | RC16M23GE7□ | 1.8 | 3.2 | - | Blue | |
| | | 16-14 | 1.5-2.5 | | RC14M50GE7□ | 2.05 | - | - | Blue | |
| 16-14 | 1.5-2.5 | RC14M30GE7□ | 2.28 | - | - | Blue | | | | |

Example: RM16M3GE1K - Size #16, Machined, Longer male, AWG16 wire.

How to make FMLB / LMFB connection

| Contact 1 \ Contact 2 | Standard male contact | Standard female contact | Longer male contact |
|-------------------------|-----------------------|-------------------------|---------------------|
| Standard male contact | | ✓ | |
| Standard female contact | ✓ | | ✓ FMLB |
| Shorter female contact | ✓ LMFB | | |

First Mate Last Break contacts should be chosen only if the cavity is not marked with the earth symbol. For cavities marked with the earth symbol, standard contacts will fulfill the same role as a first mate, last break contact used in a standard cavity.



Ground symbol



#16 coaxial contacts

Coaxial contact range

We provide 2 types of coaxial contacts suitable for 50 or 75Ω, coaxial cable or twisted pair cable.

Monocrimp coaxial contact

- The monocrimp one-piece coaxial contacts offer high reliability plus the economic advantage of a 95% reduction in installation time over conventional assembly methods.
- This economy is achieved by simultaneously crimping both the inner conductor and outer braid or drain wire.



Multipiece crimp coaxial contact

- The inner conductor and outer braid is crimped individually.
- The thermoplastic insulating bushing in the outer body is designed to accept and permanently retain the inner contact.
- An outer ferrule is used to connect the braid to the outer contact and provide cable support to ensure against bending and vibration.



Suitable for Coaxial cable or Twisted cable

- For jacket diameter from 1.78 to 3.05mm
Inner conductor up to 2.44mm diameter



- For jacket diameter from 0.64 to 1.45mm
Inner conductor from AWG30 to AWG24



Contacts for coaxial cable summary

| Contact type | Contact range | | Contact part number with cable combination | Cabling notice |
|--------------|---------------|----------------|--|---------------------|
| | Male contact | Female contact | | |
| Multipiece | RMDXK10D28 | RCDXK1D28 | See page 176 | See pages 180 & 181 |
| Monocrimp | RMDX60xxD28 | RCDX60xxD28 | | See page 182 |

Contacts for twisted pairs cable summary

| Contact type | Contact range | | Contact part number with cable combination | Cabling notice |
|--------------|----------------------|---------------------|--|----------------|
| | Male contact | Female contact | | |
| Multipiece | RMDXK10D28 + YORK090 | RCDXK1D28 + YORK090 | See page 177 | See page 178 |
| Monocrimp | RMDX60xxD28 | RCDX60xxD28 | | See page 179 |



PCB contacts

PCB contacts

PCB soldering

UTS range can be carried out with a wave soldering process, but not reflow soldering process.
All high temperature processes are prohibited.

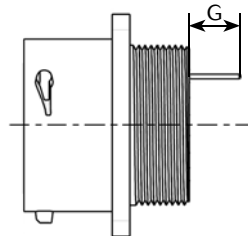


| Contact size | Type | Part number | | Plating |
|----------------|---------------|-------------|-------------|---------|
| | | Male | Female | |
| #20 Ø1 mm | Short version | RMW50A7K | RCW50A7K | K |
| | Long version | RMW5016K | RCW5016K | |
| #16 Ø1.6 mm | Short version | RM20M12E8K | RC20M12E8K | K |
| | Long version | RM20M12E83K | RC20M12E83K | |
| | | | RC20M12E84K | |

Exemple: RM50A7K - Size #20, Short version, male.

Nominal length (G)

Dimension of dipsolder contacts out of connector (contacts to be ordered separately).



UTS0

| Connector size | Pin contact | | Socket contact | | |
|----------------|-------------|--------------|----------------|--------------|--------------|
| | RM20M12E8*□ | RM20M12E83*□ | RC20M12E8*□ | RC20M12E83*□ | RC20M12E84*□ |
| 10 | 4 | 9.1 | 3.3 | 8.5 | 12.1 |
| 12 | 4 | 9.1 | 3.3 | 8.5 | 12.1 |
| 14 | 4 | 9.1 | 3.3 | 8.5 | 12.1 |
| 16 | 4 | 9.1 | 3.3 | 8.5 | 12.1 |

UTS7

| Connector size | Pin contact | | | | Socket contact | | | |
|----------------|-------------|--------------|----------|----------|----------------|--------------|----------|----------|
| | RM20M12E8*□ | RM20M12E83*□ | RMW50A7K | RMW5016K | RC20M12E8*□ | RC20M12E83*□ | RCW50A7K | RCW5016K |
| 10 | 4.1 | 9.2 | 9.51 | 10.41 | 4.65 | 8.5 | 2.4 | 3.04 |
| 12 | 4 | 9.2 | 9.51 | 10.41 | 3.3 | 8.5 | 2.4 | 3.04 |
| 14 | 4 | 9.2 | 9.51 | 10.41 | 3.3 | 8.5 | 2.4 | 3.04 |
| 16 | 4 | 9.2 | 9.51 | 10.41 | 3.3 | 8.5 | 2.4 | 3.04 |

* Plating indication: see plating table



Fibre optic contacts

Description

Size 16 Fibre optic contacts for TRIM TRIO® connectors

Size 16 Fibre optic contacts are optical contacts designed for the integration of optical links in all TRIM TRIO® cable connectors.

The Fibre optic contacts are designed to accommodate:

- Plastic Optical Fibre (POF)
 - 1 mm core and 2.2 mm jacket
- Plastic Clad Fibre (PCF)
 - 230µm core and 2.2 mm jacket

Typical features and benefits are:

- Socket contact is spring loaded to avoid any air gap between the two optical faces.
- Low insertion loss is provided by high precision pieces.
- Single jumpers, multiway harness and active device housings can be supplied regarding customer requirement.



Technical characteristics

Performance

- Fibre type:POF
- Wave length:.....650 nm
- Optical insertion loss (typ.):2 dB max.
- Jacketed external diameter:.....2.2mm
- Temperature range:.....-25°C to +70°C
- Cable retention:.....49N
- Mating cycles without cleaning:.....50
- Max. mating cycles:.....500

Construction

- Contact body: Copper alloy

Connector accommodation

Any TRIM TRIO® size 16 contact can be used in any contact position in any connector in the TRIM TRIO® size 16 interconnection system : UTP, UTS, UTG, UTO.



Fibre optic contacts

| Ordering information | |
|---|-------------------------------|
| POF Contacts (Plastic Optical Fibre) | |
| Male contact.....RMPOF1000 | Female contact.....RCPOF1000B |

| POF Contact (Plastic Optical Fibre) | | | | | | | | | | | | | | | | | | | | | | | | | | | | | | | | | | | | | |
|--|--|--------------|----------|----------------|----------|--|----------|-------|----------|-----------------|----------|---|----------|---------------------------------|----------|----------------|----------|----------------------------------|----------|----------------|---|--------------|--------------|----------|--------|----------|---------|----------|---------|----------|---------------|----------|---------------|----------|-----------------|----------|----------------|
| <p>STANDARD TOOLING KIT - P/N 80MS0004 The <i>standard tooling kit</i> is made of the part numbers below that can be ordered separately as well.</p> <table border="1"> <thead> <tr> <th>Part numbers</th> <th>Descriptions</th> </tr> </thead> <tbody> <tr> <td>80WD0005</td> <td>Stripping tool</td> </tr> <tr> <td>80WD0025</td> <td>Automatic stripping tool for Ø 0.5 mm, 0.6 mm, 0.7 mm & 3.8 mm</td> </tr> <tr> <td>80WM0006</td> <td>Ruler</td> </tr> <tr> <td>80WP0005</td> <td>Polishing plate</td> </tr> <tr> <td>80WP0013</td> <td>Non slip base (to hold the polishing plate)</td> </tr> <tr> <td>80WP0014</td> <td>Polishing disk (grain size 9µm)</td> </tr> <tr> <td>80WP0018</td> <td>Polishing tool</td> </tr> <tr> <td>80WP0019</td> <td>Polishing disk (grain size 30µm)</td> </tr> <tr> <td>80WS0002</td> <td>Crimping plier</td> </tr> </tbody> </table> | Part numbers | Descriptions | 80WD0005 | Stripping tool | 80WD0025 | Automatic stripping tool for Ø 0.5 mm, 0.6 mm, 0.7 mm & 3.8 mm | 80WM0006 | Ruler | 80WP0005 | Polishing plate | 80WP0013 | Non slip base (to hold the polishing plate) | 80WP0014 | Polishing disk (grain size 9µm) | 80WP0018 | Polishing tool | 80WP0019 | Polishing disk (grain size 30µm) | 80WS0002 | Crimping plier | <p>SPECIFIC TOOLING LIST - can be ordered only separately</p> <table border="1"> <thead> <tr> <th>Part numbers</th> <th>Descriptions</th> </tr> </thead> <tbody> <tr> <td>80WG0010</td> <td>Needle</td> </tr> <tr> <td>80WG0015</td> <td>Capsule</td> </tr> <tr> <td>80WG0016</td> <td>Syringe</td> </tr> <tr> <td>80WN0005</td> <td>Dry air spray</td> </tr> <tr> <td>80WN0006</td> <td>Optical paper</td> </tr> <tr> <td>80WN0012</td> <td>Dropping bottle</td> </tr> <tr> <td>80WN0008</td> <td>Wiping solvent</td> </tr> </tbody> </table> | Part numbers | Descriptions | 80WG0010 | Needle | 80WG0015 | Capsule | 80WG0016 | Syringe | 80WN0005 | Dry air spray | 80WN0006 | Optical paper | 80WN0012 | Dropping bottle | 80WN0008 | Wiping solvent |
| Part numbers | Descriptions | | | | | | | | | | | | | | | | | | | | | | | | | | | | | | | | | | | | |
| 80WD0005 | Stripping tool | | | | | | | | | | | | | | | | | | | | | | | | | | | | | | | | | | | | |
| 80WD0025 | Automatic stripping tool for Ø 0.5 mm, 0.6 mm, 0.7 mm & 3.8 mm | | | | | | | | | | | | | | | | | | | | | | | | | | | | | | | | | | | | |
| 80WM0006 | Ruler | | | | | | | | | | | | | | | | | | | | | | | | | | | | | | | | | | | | |
| 80WP0005 | Polishing plate | | | | | | | | | | | | | | | | | | | | | | | | | | | | | | | | | | | | |
| 80WP0013 | Non slip base (to hold the polishing plate) | | | | | | | | | | | | | | | | | | | | | | | | | | | | | | | | | | | | |
| 80WP0014 | Polishing disk (grain size 9µm) | | | | | | | | | | | | | | | | | | | | | | | | | | | | | | | | | | | | |
| 80WP0018 | Polishing tool | | | | | | | | | | | | | | | | | | | | | | | | | | | | | | | | | | | | |
| 80WP0019 | Polishing disk (grain size 30µm) | | | | | | | | | | | | | | | | | | | | | | | | | | | | | | | | | | | | |
| 80WS0002 | Crimping plier | | | | | | | | | | | | | | | | | | | | | | | | | | | | | | | | | | | | |
| Part numbers | Descriptions | | | | | | | | | | | | | | | | | | | | | | | | | | | | | | | | | | | | |
| 80WG0010 | Needle | | | | | | | | | | | | | | | | | | | | | | | | | | | | | | | | | | | | |
| 80WG0015 | Capsule | | | | | | | | | | | | | | | | | | | | | | | | | | | | | | | | | | | | |
| 80WG0016 | Syringe | | | | | | | | | | | | | | | | | | | | | | | | | | | | | | | | | | | | |
| 80WN0005 | Dry air spray | | | | | | | | | | | | | | | | | | | | | | | | | | | | | | | | | | | | |
| 80WN0006 | Optical paper | | | | | | | | | | | | | | | | | | | | | | | | | | | | | | | | | | | | |
| 80WN0012 | Dropping bottle | | | | | | | | | | | | | | | | | | | | | | | | | | | | | | | | | | | | |
| 80WN0008 | Wiping solvent | | | | | | | | | | | | | | | | | | | | | | | | | | | | | | | | | | | | |

UTS Series

Contacts





UNIT'S Series

Technical information

- Tooling 154
- Assembly instruction 156
- Dimensions overmoulded harnesses 162
- Extraction tools 162
- Rated current & working voltage 163
- UV resistance 164
- UL94 + UL1977 165
- IEC 61984 & IP codes explained 168
- What is NEMA rating ? 170
- Ethernet for the layman 171



Tooling

Automatic crimping tools



Mecal is leader in manufacturing tooling for crimping terminals over a stripped wire.

Established in 1976, Mecal has become one of the world's leading companies dedicated to the design and manufacture of semi automatic production tools for strip fed, open barrel crimp terminals, serving the Automotive, Telecom and Datacomm industry.



The extreme environment interconnect specialist "from deep sea to deep space".

Souriau designs manufactures and markets high performance interconnect solutions for severe environments dedicated to the aerospace, defence, light and heavy industry markets.

Souriau has been working in partnership with Mecal for a good number of years. With sales offices located in all major industrial regions of the world, the combined strengths of both organisations has resulted in a truly global solution to all your production tooling needs.



Mini Applicator



Stripper



Presses

Mecal sales network:

www.mecal.net/eng/retevendita.php



Crimptooling table

Standard contacts

| Contact size | Part number | Head | Handles |
|--------------|-------------------------------------|------------|----------|
| #20 1mm | RM/RC 24W3 - | S20RCM | SHANGLES |
| | RM/RC 20W3 - | | |
| | RM/RC 18W3 - | | |
| | SM 24W3S-(1) SC 24W3S-(1) | S20SCM20 | |
| | SM 24WL3S-(2) SC 24WL3S-(2) | | |
| | SM/SC 20W3S-(1) SM/SC 20WL3S-(2) | | |
| #16 1.6mm | RM/RC 28M1 - | S16RCM20 | |
| | RM/RC 24M9 - | | |
| | RM/RC 20M13 - | | |
| | RM/RC 20M12 - | | |
| | RM/RC 16M23 - | S16RCM16 | |
| | RM/RC 14M50 - | S16RCM1450 | |
| | RM/RC 14M30 - | S16RCM14 | |
| | SM/SC 24M1 - SM/SC 24ML1 - | S16SCM20 | |
| | SM/SC 20M1 - SM/SC 20ML1 - | | |
| | SM/SC 16M1 - SM/SC 16ML1 - | S16SCML1 | |
| | SM/SC 14M1 - SM/SC 14ML1 - | | |
| | SM/SC 16M11 - SM/SC 16ML11 - | S16SCML11 | |



(1) contact reeled (2) loose contact
Note: endurance of SHANGLES tool = 5 000 cycles.

| Contact size | Part number | Tool with separate locator | | | Extraction tools |
|--------------|--------------------------|----------------------------|------------------------------|-----|------------------|
| | | Hand tool | Positioner + locator setting | | |
| #12 2.4mm | 8291 1457N- / 8291 1456- | M317 | VGE10077A | 1-2 | 5106020924 |
| | 8291 1459N- / 8291 1458- | | | 2 | |
| | 8291 1461N- / 8291 1460- | | | 2 | |
| | 8291 1463N- / 8291 1462- | | | 3 | |
| | 8291 1465N- / 8291 1464- | | | 3 | |
| | 8291 1467N- / 8291 1466- | | | 4 | |
| #8 3.6mm | 8291 3601A / 8291 3600A | M317 | VGE10078A | 3 | 51060210936 |
| | 8291 3603A / 8291 3602A | | | 3 | |
| | 8291 3605A / 8291 3604A | | | 4 | |
| | 8291 3607A / 8291 3606A | | | 5 | |
| | 8291 3609A / 8291 3608A | | | 6/7 | |

Specific contacts




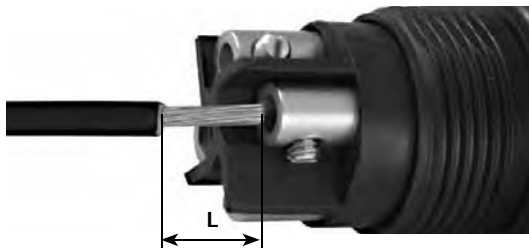
| Contact size | Part number | Hand tools (SHANGLES) head | Tool with separate locator | | | Extraction tools | | | | |
|--|--|--|----------------------------|------------------------------|---|------------------------|---------|----------|---|------------------------------------|
| | | | Hand tool | Positioner + locator setting | | | | | | |
| #16 Ø 1.6mm Longer RM contact | RM28M1GE1 - RM24M9GE1 - RM20M13GE1 - | S16RCM20 | M317 | UH25 | 3 | | | | | |
| | RM16M23 GE1 - | | | | | MH860 | MH86186 | 6/8 | | |
| | RM14M50 GE1 - RM14M30 GE1 - | | | | | S16RCM1450 S16RCM14 | | | | |
| | #16 Ø 1.6mm Shorter RC contact | RC28M1GE7 - RC24M9GE7 - | | | | S16RCM20 | MH860 | MH86164G | 3 | |
| | | RC20M13GE7 - RC20M12GE7 - | | | | | | | | 4/6 5/6 |
| | | RC16M23GE7 - RC14M50GE7 - RC14M30GE7 - | | | | | | | | S16RCM16 S16RCM1450 S16RCM14 |

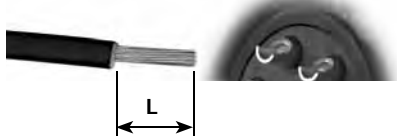
Coaxial contacts

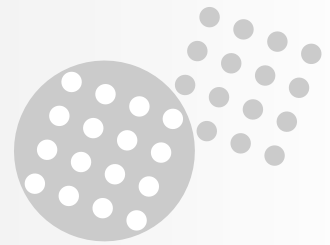
See cabling notice chapter Appendices, pages 178 to 182.



Assembly instruction

| Wire stripping crimp version | | | |
|---|---|--|-------------------------|
| | Part number | | Stripping length L (mm) |
| | Male | Female | |
| Machined contact | #16 | | |
|  | RM28M1- / RM24M9- RM20M13- / RM20M12- | RC28M1- / RC24M9- RC20M13- / RC20M12- | 4.8 |
| | RM16M23- / RM14M50- RM14M30- | RC16M23- / RC14M50- RC14M30- | 7.1 |
| | #20 | | |
| | RM24W3- / RM20W3- RM18W3- | RC24W3- / RC20W3- RC18W3- | 4.8 |
| Stamped & formed | #16 | | |
| Without insulation support | | | |
|  | SM24M1- / SM24ML1- SM20M1- / SM20ML1 | SC24M1- / SC24ML1- SC20M1- / SC20ML1- | 4 |
| | SM16M11- / SM16ML11- | SC16M11- / SC16ML11- | 4.65 |
| With insulation support | | | |
|  | SM16M1- / SM16ML1- | SC16M1- / SC16ML1- | 6.35 |
| | SM14M1- / SM14ML1- | SC16M11- / SC16ML11- | 6.35 |
| Screw contacts | Power contacts #12 | | |
|  | 8291 1457- / 8291 1459- / 8291 1461- / 8291 1463- / 8291 1465- / 8291 1467- | 8291 1456- / 8291 1458- / 8291 1460- / 8291 1462- / 8291 1464- / 8291 1466 - | 7 to 8 |
| | Power contacts #8 | | |
| | 8291 3601- / 8291 3603- / 8291 3605- 8291 3607- / 8291 3609- | 8291 3600- / 8291 3602- / 8291 3604- / 8291 3606- / 8291 3608- | 6.5 to 7.5 |
| | Contact delivered with connector | | 5.8 |

| Wire stripping solder version | | | |
|---|----------------------|--------|-------------------------|
| | Part number | | Stripping length L (mm) |
| | Male | Female | |
| Machined contact | #16 & #20 | | 5 |
|  | | | |



Crimping

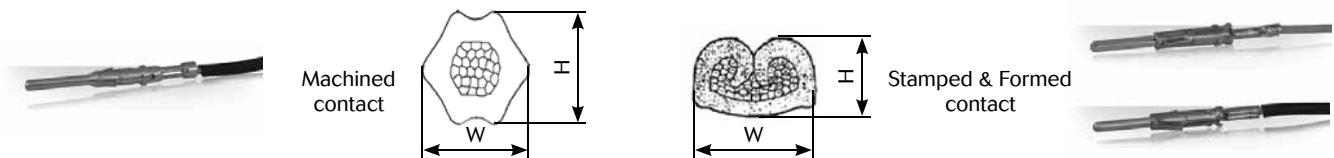
One of the key factors which affects the performance of a connector, is the way contacts are terminated. Crimped connections are nowadays seen as the best solution to ensure quality throughout the lifetime of the product. Here are some reasons why we recommend this method of termination for UTS connectors:

Advantages (Extract from the IEC 60352-2):

- Efficient processing of connections at each production level
- Processing by fully-automatic or semi-automatic crimping machines, or with hand operated tools
- No cold-soldered joints
- No degradation of the spring characteristic of female contacts by the soldering temperature

- No health risk from heavy metal and flux steam
- Preservation of conductor flexibility behind the crimped connection
- No burnt, discolored and overheated wire insulation
- Good connections with reproducible electrical and mechanical performances
- Easy production control.

To ensure that the crimp tooling is performing according to original specifications, it is important to carry out regular checks. A common way to check the performance of tooling is with a simple pull test, ideally using a dedicated electric pull tester. Minimum recommended full forces are indicated in the tables below:



| Active contact part | Contact type | Die location on heads | Wire section range | Section (mm ²) | Tensile straight test (mini) | Height (Mm) H (±0.075) | Width (Mm) W (±0.075) | Head's P/N |
|---------------------------|------------------|-----------------------|--------------------|----------------------------|------------------------------|------------------------|-----------------------|------------|
| Machined contacts size 20 | RM/RC 24W3* | 26/24 | AWG 26 | 0.12 min | 15 N | 0.95 | 1.27 | S20RCM |
| | | | AWG 24 | 0.25 max | 32 N | | | |
| | RM/RC 20W3* | 22/20 | AWG 22 | 0.32 min | 40 N | 1.26 | 1.78 | |
| AWG 20 | | | 0.50 max | 60 N | | | | |
| RM/RC 18W3* | 20/18 | AWG 20 | 0.50 max | 60 N | 1.35 | 1.86 | | |
| | | AWG 18 | 0.82 max | 90 N | | | | |
| S & F contacts size 20 | SM/SC 24WL3TK6* | 26/24 | AWG 26 | 0.12 min | 15 N | 0.80 | 1.49 | S20SCM20 |
| | | | AWG 24 | 0.25 max | 32 N | | | |
| | SM/SC 20WL3TK6* | 22/20 | AWG 22 | 0.32 min | 40 N | 1.01 | 1.53 | |
| AWG 20 | | | 0.50 max | 60 N | | | | |
| Machined contacts size 16 | RM/RC 28M1K* | 30/28 | AWG 30 | 0.05 min | 11 N | 1.14 | 1.41 | S16RCM20 |
| | | | AWG 28 | 0.08 max | 11 N | | | |
| | RM/RC 24M9K* | 26/24 | AWG 26 | 0.12 min | 15 N | 1.15 | 1.41 | |
| | | | AWG 24 | 0.25 max | 32 N | | | |
| | RM/RC 20M13K* | 22/20 | AWG 22 | 0.32 min | 40 N | 1.26 | 1.76 | |
| | | | AWG 20 | 0.50 max | 60 N | | | |
| | | | AWG 22 | 0.32 min | 40 N | | | |
| | RM/RC 20M12K* | 20 | AWG 20 | 0.50 max | 60 N | 1.66 | 2.18 | |
| | | | 18 | AWG 18 | 0.82 max | | | 90 N |
| | RM/RC 16M23K* | 16 | AWG 16 | 1.50 max | 150 N | 1.96 | 2.43 | S16RCM16 |
| 16 | | | AWG 16 | 1.50 min | 150 N | 2.10 | 2.68 | |
| RM/RC 14M30K* | 14 | AWG 14 | 2.50 min | 230 N | 2.30 | 2.78 | S16RCM14 | |
| | | 16 | AWG 16 | 1.50 min | 150 N | 2.09 | | 2.59 |
| RM/RC 14M50K* | 14 | AWG 14 | 2.50 max | 230 N | 2.26 | 2.71 | S16RCM1450 | |
| | | 16 | AWG 16 | 1.50 max | 150 N | 1.79 | | 2.58 |
| S & F contacts size 16 | SM/SC 24ML1TK6* | 26/24 | AWG 26 | 0.12 min | 15 N | 0.84 | 1.50 | S16SCM20 |
| | | | AWG 24 | 0.25 max | 32 N | | | |
| | SM/SC 20ML1TK6* | 22/20 | AWG 22 | 0.32 min | 40 N | 1.02 | 1.54 | |
| | | | AWG 20 | 0.50 max | 60 N | | | |
| | SM/SC 16ML11TK6* | 18 | AWG 18 | 0.82 min | 90 N | 1.32 | 2.09 | S16SCML11 |
| | | | AWG 16 | 1.50 max | 150 N | 1.36 | 2.10 | |
| SM/SC 16ML1TK6* | 16 | AWG 16 | 1.50 min | 150 N | 1.49 | 2.02 | S16SCML1 | |
| | | AWG 16 | 1.50 max | 150 N | 1.7 | 2.05 | | |
| SM/SC14ML1TK6* | 14 | AWG 14 | 2.50 max | 230 N | 1.79 | 2.58 | | |

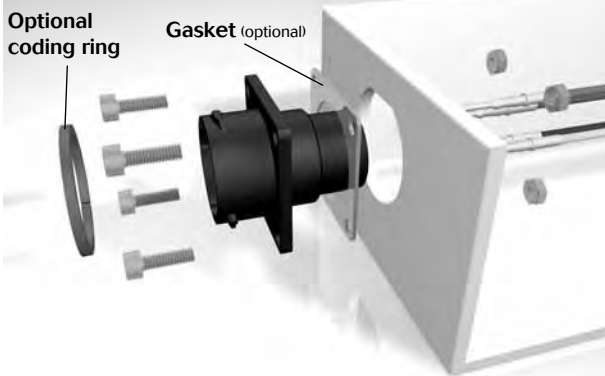
(1): example of plating, for other plating see page 143



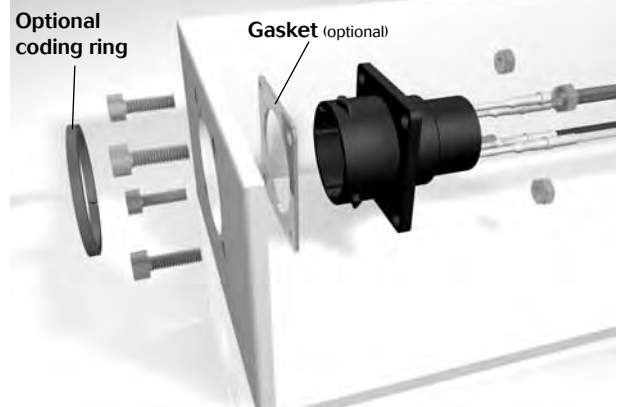
UTS 0 assembly (mounting suggestion)

- Strip wires, crimp or solder contacts
- Insert contacts into connector cavities (insert manually or use tool RTM205 crimp contacts only)
- Place receptacle in the panel cut-out, with optional gasket
- Secure receptacle with screws (not supplied)

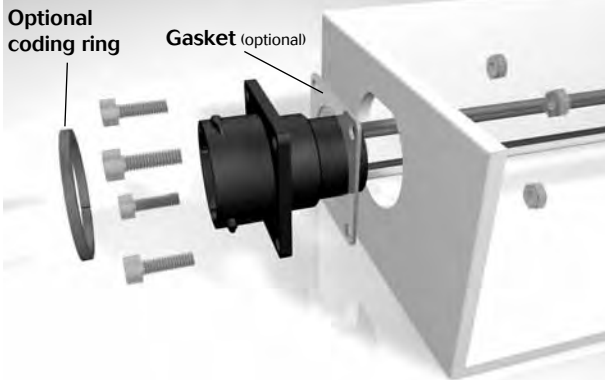
Front mounting : Crimp version



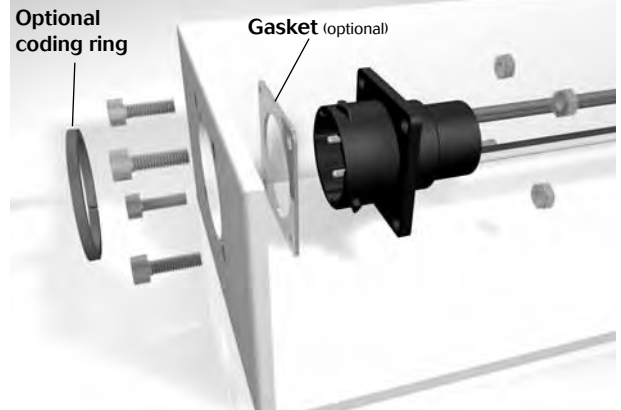
Rear mounting : Crimp version



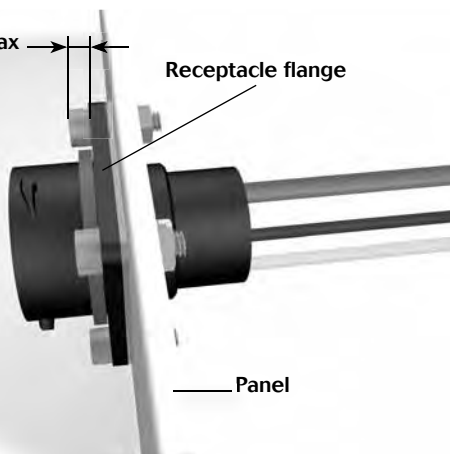
Front mounting : Solder version



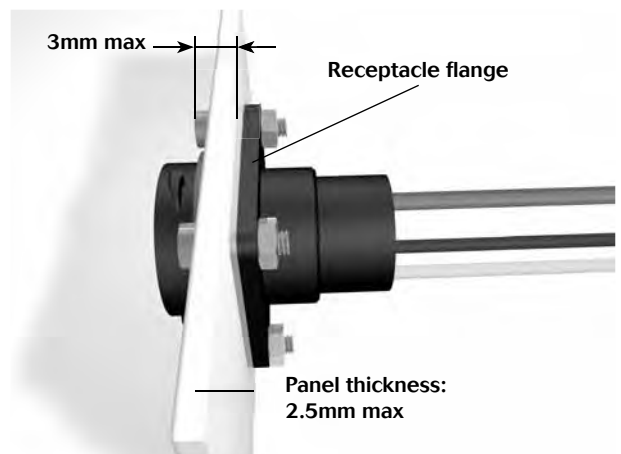
Rear mounting : Solder version



3mm max → ← Receptacle flange



3mm max → ← Receptacle flange



UTS Series

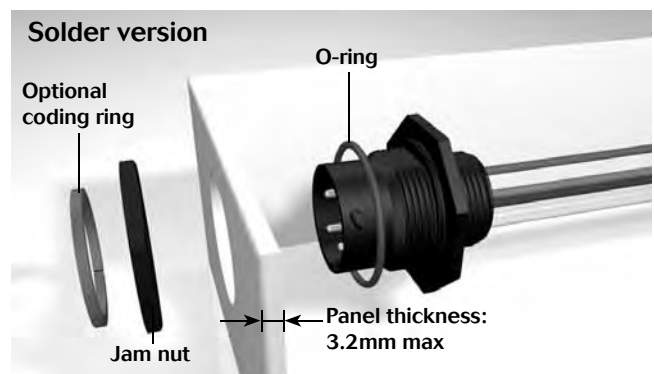
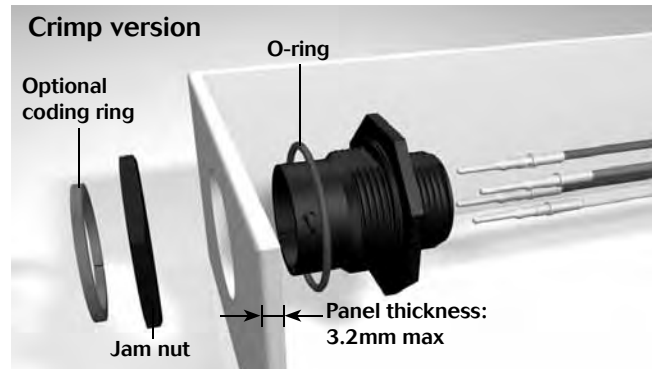
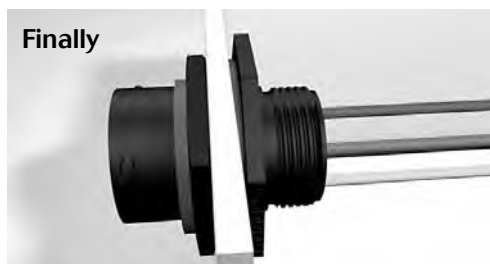
Technical information



UTS 7 assembly (mounting suggestion)

- Strip wires, crimp or solder contacts
- Insert contacts into connector cavities (insert manually or use tool RTM205 crimp contacts only)
- Seat o-ring, place receptacle in the panel cut-out
- Tighten jam nut

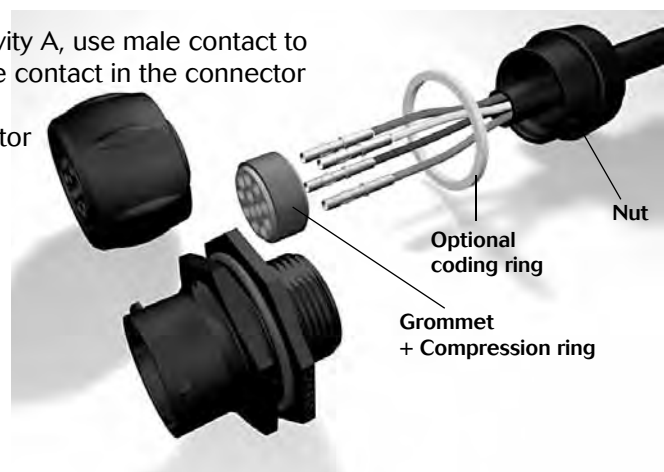
| Shell size | Jam nut torque (Nm) | Tool tightening | Ø Wire | |
|------------|---------------------|-----------------|------------------|-----------------------|
| | | | Standard version | Discrete wire sealing |
| 8 | 1.5 | 19.05 | 3.2 mm max. | from 1.7 mm to 3.0 mm |
| 10 | 3 | 22.25 | | |
| 12 | 4 | 27.15 | | |
| 14 | 5 | 30.19 | | |
| 18 | 5 | 36.5 | | |



UTS 6 GN / UTS 7 GN assembly

- Slide accessories on the cable (make sure to keep compression ring on the grommet)
- Strip wires and crimp contacts
- Insert first contact into the grommet (first contact in cavity A, use male contact to pierce the grommet, no tool is required), then insert the contact in the connector cavity A (insert manually or use tool RTM205)
- Place the grommet and compression ring on the insulator
- Insert the other contacts
- Tighten nut (recommended torque: see note)

| Shell size | Nut tightening torque (Nm) | Ø Wire |
|------------|----------------------------|-----------------------|
| 10 | 1 | from 1.7 mm to 3.0 mm |
| 12 | 1.5 | |
| 14 | 1.5 | |

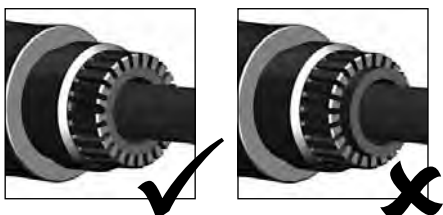




Assembly instruction

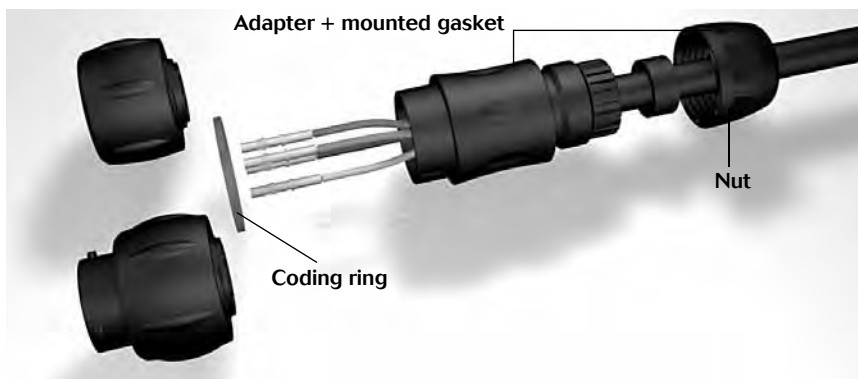
UTS 1 JC / UTS 6 JC assembly: Crimp version

- Slide accessories on the cable



Make sure the seal is positioned as shown.

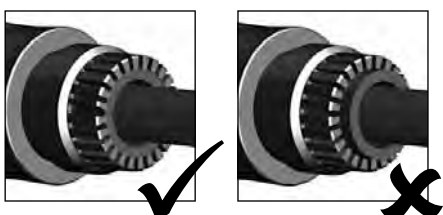
- Strip external cable jacket
- Strip wires and crimp contacts
- Insert contacts into connector cavities (insert manually or use tool RTM205)
- Tight adapter with plug, choose right seal (waste the other seal), tight nut with adapter (recommended torque values to be applied according to the table - right)
- Caution: only one of both delivered gasket should be used !



| Shell size | Recommended jacket strip length (mm) | | Adapter tightening torque (Nm) | Nut tightening torque (Nm) | Ø Cable range Standard seal | Ø Cable range Reducing seal | Ø Wire |
|------------|--------------------------------------|--------|--------------------------------|----------------------------|-----------------------------|-----------------------------|-------------|
| | Male | Female | | | | | |
| 10 | 21 | 29 | 1.5 | 2 | 2.5/8.0 | 1.5/5.0 | 3.2 mm max. |
| 12 | 25 | 33 | 2 | 2.5 | 5.0/12.0 | 3.0/9.0 | |
| 14 | 29 | 36 | 3 | 2.5 | 7.0/14.0 | 5.0/12.0 | |
| 18 | 37 | 45 | 4 | 3.5 | 9.0/18.0 | 7.0/16.0 | |

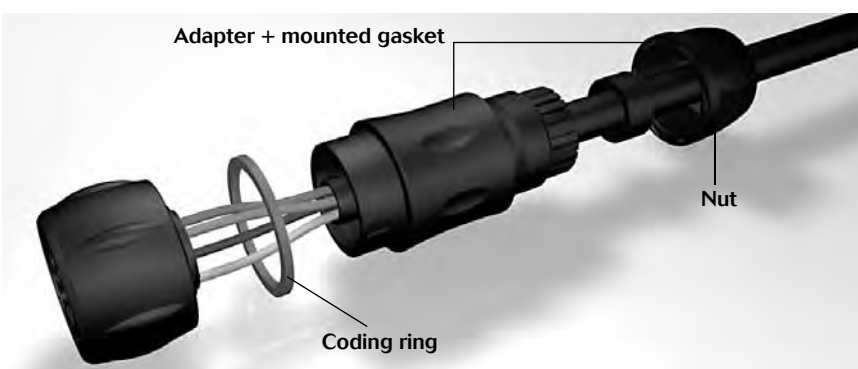
UTS 6 JC assembly: Solder version

- Slide accessories on the cable



Make sure the seal is positioned as shown.

- Strip external cable jacket
- Strip wires and solder contacts
- Tight adapter with plug, choose right seal (waste the other seal), tight nut with adapter (recommended torque values to be applied according to the table - right)
- Caution: only one of both delivered gasket should be used !



| Shell size | Recommended jacket strip length (mm) | | Adapter tightening torque (Nm) | Nut tightening torque (Nm) | Ø Cable range Standard seal | Ø Cable range Reducing seal | Ø Wire |
|------------|--------------------------------------|--|--------------------------------|----------------------------|-----------------------------|-----------------------------|-------------|
| | Male | | | | | | |
| 8 | 17 | | 1 | 0.75 | 2.5/6.5 | 1.5/5.0 | 3.2 mm max. |
| 10 | 21 | | 1.5 | 2 | 2.5/8.0 | 1.5/5.0 | |
| 12 | 25 | | 2 | 2.5 | 5.0/12.0 | 3.0/9.0 | |
| 14 | 29 | | 3 | 2.5 | 7.0/14.0 | 5.0/12.0 | |

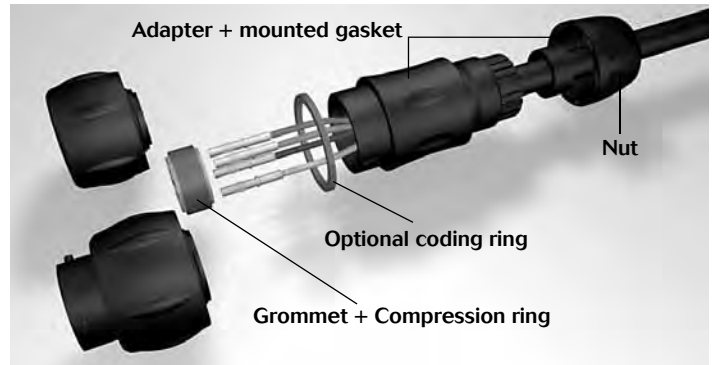
UTS Series

Technical information



UTS 1 GJC / UTS 6 GJC assembly

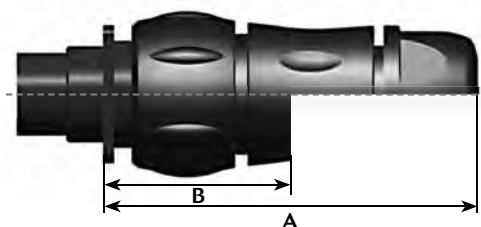
- Slide accessories on the cable (make sure to keep compression ring on the grommet)
- Strip external cable jacket
- Strip wires and crimp contacts
- Insert first contact into the grommet (first contact in cavity A, the contact pierces the grommet, no tool is required), then insert the contact in the connector cavity A (insert manually or use tool RTM205)
- Place the grommet and compression ring on the insulator
- Insert the other contacts
- Tight adapter with plug, choose right seal (waste the other seal), tight nut with adapter (recommended torque values to be applied according to the table - right).



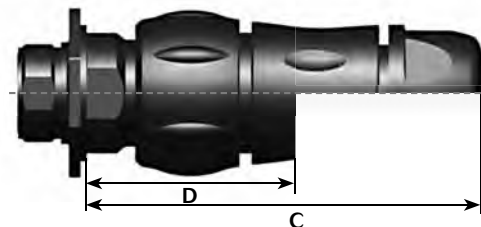
| Shell size | Recommended jacket strip length (mm) | | Adapter tightening torque (Nm) | Nut tightening torque (Nm) | Ø Cable range Standard seal | Ø Cable range Reducing seal | Ø Wire |
|------------|--------------------------------------|--------|--------------------------------|----------------------------|-----------------------------|-----------------------------|-----------------------|
| | Male | Female | | | | | |
| 10 | 21 | 29 | 1.5 | 2 | 2.5/8.0 | 1.5/5.0 | from 1.7 mm to 3.0 mm |
| 12 | 25 | 33 | 2 | 2.5 | 5.0/12.0 | 3.0/9.0 | |
| 14 | 29 | 36 | 3 | 2.5 | 7.0/14.0 | 5.0/12.0 | |

Mated connector length

UTS0 + UTS6



UTS7 + UTS6

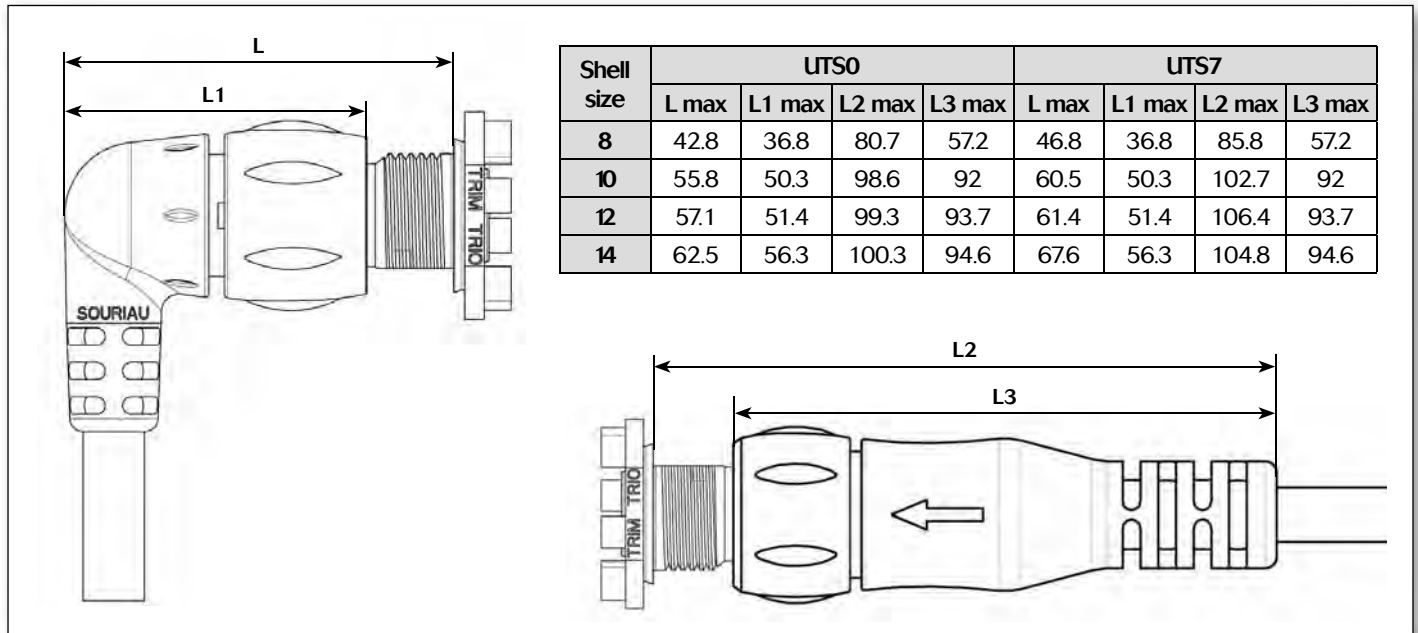


| Shell size | UTS0 + UTS6 EN JC & CJC | UTS0 + UTS6 EN GN | UTS7 + UTS6 EN JC & CJC | UTS7 + UTS6 EN GN |
|------------|-------------------------|-------------------|-------------------------|-------------------|
| | A max | B max | C max | D max |
| 8 | 61.1 | - | 66.6 | - |
| 10 | 73.2 | 39.6 | 77.3 | 43.7 |
| 12 | 77.6 | 39.4 | 81.7 | 43.5 |
| 14 | 83.5 | 40 | 87.6 | 44.1 |
| 18 | 93.1 | - | 97.2 | - |

Note: all dimensions are in mm



Dimensions overmoulded harnesses



Extraction tools

| Contact size | Extractor |
|--------------|-------------|
| #20 | RX20D44 |
| #16 | RX2025GE1 |
| #12 | 51060210924 |
| #8 | 51060210936 |



Extraction tools instruction for size 16

Special case with the tool RX2025GE1:

A - When setting up in the cell, keep firmly the tool by the hexagonal metallic part and insert tool in cavity.

B - Push the tool by the handle to extract the contact.



Extraction:

Place the tool into the cavity from front face of the connector, push on the handle, then remove the contact..



Rated current & working voltage

Current carrying capacity

The current carrying capacity of a connector is limited by the thermal properties of materials used in its construction. The amount of current that can be handled depends on the size of cable used, the ambient temperature and the heat that is generated inside the connector. Part 3 of the IEC 60512 standard determines through a derating curve, the maximum current permissible, which varies from one layout to another (Fig.1 & Fig.2). Wire size plays an important role as well, since they help to dissipate heat and avoid overheating (Fig.1 & Fig.3).

Please note that the curve should be adjusted when dealing with potential hot spots, which can occur as a result of unequal loading of current across a number of contacts. As a general rule, it is best to avoid locating power handling contacts in the middle of the connector; try to locate them towards the edge where heat can be dissipated more effectively. Eventually you should find a level which represents the permissible operating range:

Fig.1: UTS 12-4 – 1.5mm² wires

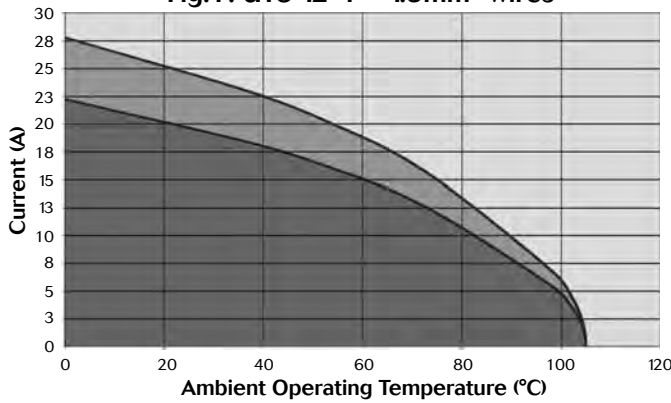


Fig.2: UTS 12-8 – 1.5mm² wires

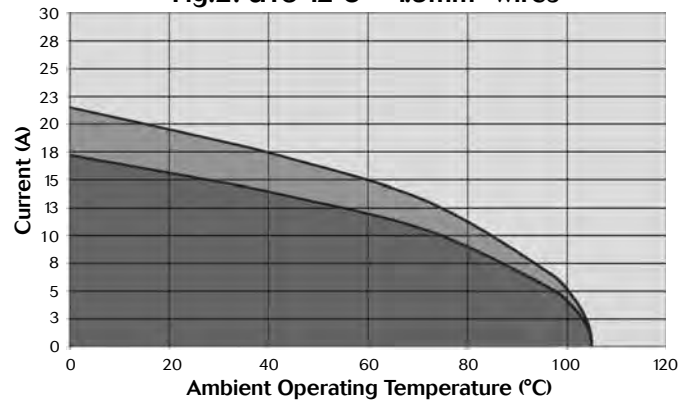
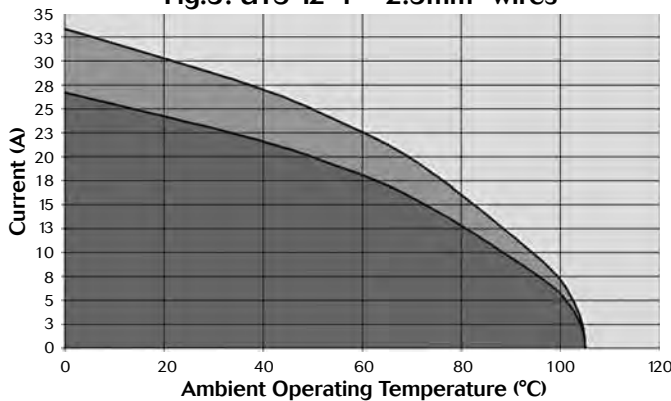


Fig.3: UTS 12-4 – 2.5mm² wires



- Current use
- Limited use
- Not recommended use

The **rated current** is defined as uninterrupted continuous current that a connector can take when all contacts are energized simultaneously without exceeding the maximum limit of temperature. The earth contact is never loaded.



UV resistance

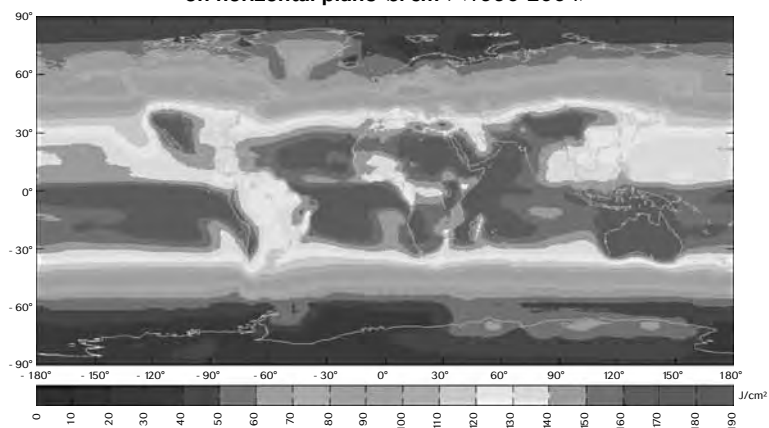
Solar radiation affects all materials, but plastics can be susceptible to extreme degradation over time. The choice of materials for the UTS series was therefore a critical consideration.

All over the world we are not exposed to the same amount of energy given by the sun. The chart shown here clearly illustrates this.

So we performed test according to the ISO 4892-2 and simulated 5 years exposure to outdoor environments (temperature, humidity, etc...)

After this period there was no significant colour variation, no crazing, no cracking and no major variation of mechanical properties.

Yearly mean of daily irradiation in UV (280-400 nm) on horizontal plane (J/cm²) (1990-2004)





There are two main standards for industrial connectors: UL94 & UL1977

UL94

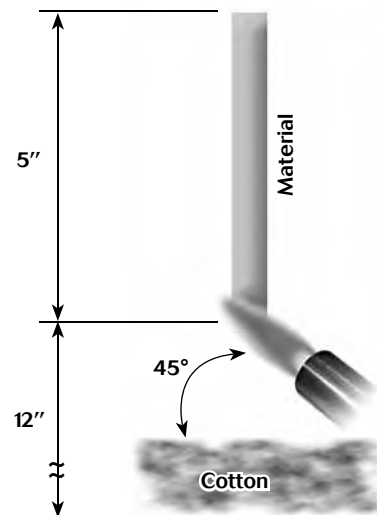
This standard is dedicated to plastics flammability. It characterises how the material burns in various orientation and thicknesses.

The UTS series has been rated at **V-0 & HB**.

Procedure: A specimen is supported in a vertical or horizontal position and a flame is applied to the bottom of the specimen. The flame is applied for ten seconds and then removed until flaming stops, at which time the flame is reapplied for another ten seconds and then removed. Two sets of five specimens are tested. The two sets are conditioned under different conditions.

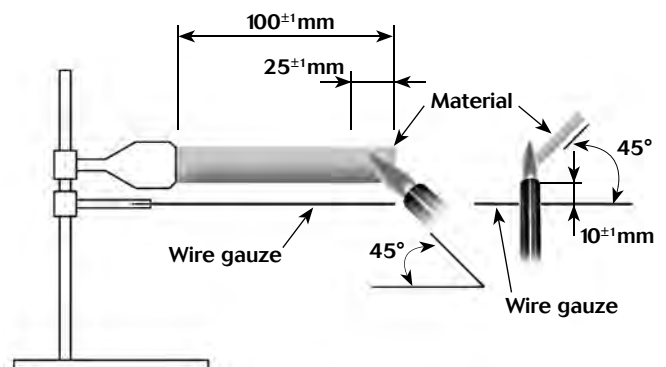
V-0 Vertical burning:

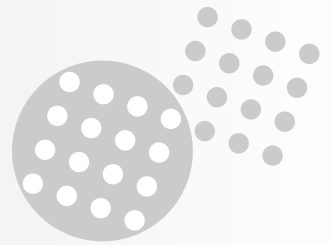
- Specimens must not burn with flaming combustion for more than 10 seconds after either test flame application.
- Total flaming combustion time must not exceed 50 seconds for each set of 5 specimens.
- Specimens must not burn with flaming or glowing combustion up to the specimen holding clamp.
- Specimens must not drip flaming particles that ignite the cotton.
- No specimen can have glowing combustion remain for longer than 30 seconds after removal of the test flame.



HB Horizontal burning:

- A material classed HB shall not have a burning rate exceeding 40 mm per minute over a 75 mm span for specimens having a thickness of 3.0 to 13 mm.
- A material classed HB shall not have a burning rate exceeding 75 mm per minute over a 75 mm span for specimens having a thickness less than 3.0 mm.
- A material classed HB shall cease to burn before the 100 mm reference mark.





UL 1977

There are several standards which deal with plug and receptacle. Each of them is only for a small area of applications. It could be telecommunication, Etc. The UL 1977 covers single and multipole connectors intended for factory assembly.

Requirements apply to devices in taking into account intensity and voltage. There are categories as follows:

| | 0 | 30 V (42 V peak) | 600 V |
|--------|---------|---------------------|-------|
| 0 | Type 0 | Type 1A | |
| 8.3 A | | | |
| 31 A | Type 1B | Type 2 | |
| 200 A | | Type 3 | |
| 1000 A | Type 4 | | |

According to above table, the level of performance that has to be reached could be different. Most of them are explained in the following page.

Insulating materials:

Material uses for electrical insulation, as a minimum, have to comply with the characteristics shown below:

• **Minimum ratings for polymeric materials**

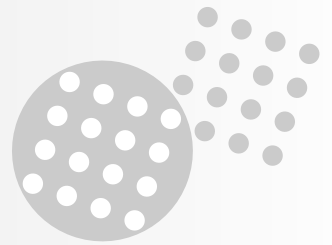
| Type | Flame rating | Relative thermal index (RTI) Electrical/mechanical w/o impact **/** |
|------|--------------|--|
| 0 | - | 50/50 |
| 1A | HB | 50/50 |
| 1B | HB | 50/50 |
| 2 | HB | 50/50 |
| 3 | HB | 50/50 |
| 4 | HB | 50/50 |

* The RTI of the material shall not be lower than the temperature measured during the Temperature Test.
 ** For a thickness less than that for which a value has been established, the RTI of the minimum thickness with an established value shall be used.

Assembly:

Connector has to be keyed to prevent any mismatching that can damage the machine or hurt the user. In the same way, plugs and sockets have to be equipped to protect persons against contact with live parts.

Finally the identified grounding contact shall be located so that the corresponding electrical continuity has to be completed before any other contact.



UL1977

Spacing:

For a 250V max connector, distance through air or over material shall be 1.2mm whereas from 250V to 600V connector the spacing is 3.2 minimum. These distances have to be taken between uninsulated live parts as shown in the matrix below:

• **Applicability of spacing requirements**

| Type | Uninsulated live part - uninsulated live part of opposite polarity | Uninsulated live part - uninsulated grounded metal part | Uninsulated live part - exposed dead metal part |
|------|--|---|---|
| 0 | No | No | No |
| 1A | Yes | Yes | Yes |
| 1B | Yes | Yes | No |
| 2 | Yes | Yes | Yes |
| 3 | Yes | Yes | Yes |
| 4 | Yes | Yes | Yes |

An alternative way to determine voltage rating is with the Dielectric-Withstand test. If during one minute there is no arc-over or breakdown the rated voltage is given as given below:

- a) 500 volts for a type 1B device
- b) 1000 volts plus twice rated voltage for types 1A, 2, 3 and 4 devices.

Marking:

A device shall be legibly marked with the manufacturer's trade name, trade mark, or other descriptive marking by which the organisation responsible for the product may be identified. (Exception: If the device is too small, or where the legibility would be difficult to attain, the manufacturer's name, trademark, or other descriptive marking may appear on the smallest unit container or carton)

The following shall be marked on the device or on the smallest unit container or carton or on a stuffer sheet in the smallest unit container or carton:

- a) The catalogue number or an equivalent designation
- b) The electrical rating in both volts and amperes, if assigned
- c) Whether ac or dc, if restricted
- d) Flammability class, if identified

Example - Marking for the arrangement 10-3: **10A 500V UL94 V-0**



IEC 61984

The norm is dedicated to connectors with rated voltage above 50V and up to 1000V and rated currents up to 125A per contact. But depending of your application connectors should be compliant with another standard. This has to be double checked with the customer.

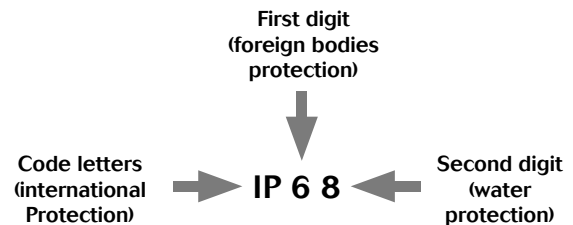
There are lot of constructional requirements and performances specified in that standard. Most of them are illustrated in greater details hereafter.

Provisions for earthing:

The UTS connector is intended to be used on Class II systems. Even if the purpose of our connector is not to interrupt current, we often see a need to add a protective earth contact. Then this one shall be a "First mate, last break" style. Critically, among all of the normal assumptions we make in designing a connector, this contact has to be considered as a live part and must be protected against electric shock by double or reinforced insulation.

IP Code:

IP is a coding system defined by the IEC 60529 to indicate the degrees of protection provided by an enclosure. The aim of this is to give information regarding the accessibility of live parts against ingress of water and other foreign bodies.



| 1 st digit | Degree of protection | 2 nd digit | Degree of protection |
|-----------------------|---|-----------------------|--|
| 0 | No protection against accidental contact. No protection against solid foreign bodies. | 0 | No protection against water. |
| 1 | Protection against contacts with any large area by hand and against large solid foreign bodies with a diameter bigger than 50 mm. | 1 | Drip-proof. Protection against vertical water drips. |
| 2 | Protection against contacts with the fingers. Protection against solid foreign bodies with a diameter bigger than 12 mm. | 2 | Drip-proof. Protection against water drips up to a 15° angle. |
| 3 | Protection against tools, wires or similar objects with a diameter bigger than 2.5 mm. Protection against small solid bodies with a diameter bigger than 2.5 mm. | 3 | Spray-proof. Protection against diagonal water drips up to a 60° angle. |
| 4 | As 3 however diameter is bigger than 1 mm. | 4 | Splash-proof. Protection against splashed water from all directions. |
| 5 | Full protection against contacts. Protection against interior injurious dust deposits. | 5 | Hose-proof. Protection against water (out of a nozzle) from all directions. |
| 6 | Total protection against contacts. Protection against penetration of dust. | 6 | Protection against temporary flooding. |
| | | 7 | Protection against temporary immersions. |
| | | 8 | Protection against water pressure. Pressure to be specified by supplier. |

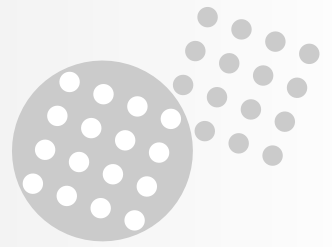
UTS offers high sealing performance IP68 / 69K...
Even in dynamic situations.

In addition to the IEC 60529 we conjointly use the DIN 40050 part 9 which are dedicated to road vehicles. The main differences are:

- **First digit:** 5 replaced by 5K, 6 by 6K. In the DIN the tested equipment is not depressurized as it is in the IEC.
- **Second digit:** 5K and 6K has been added and are equivalent respectively to 5 and 6 but with higher pressure. 9K which represents the High pressure cleaning.

| | |
|----|--|
| 9K | High pressure hose-proof. Protection against high pressure water (out of a nozzle) from all directions. |
|----|--|

IEC 61984 ed.2.0 "Copyright © 2008 IEC Geneva, Switzerland.www.iec.ch"
IEC 60664-1 ed.2.0 "Copyright © 2007 IEC Geneva, Switzerland.www.iec.ch"



IEC 61984

Overvoltage

UTS connectors are qualified to be used on systems rated at Overvoltage category III

Per the IEC 60664-1 (formerly VDE 0110) each category is linked to the end application and where the device will be implemented:

- **Category IV** (primary overcurrent protection equipment):
Origin of the installation
- **Category III** (Any fixed installation with a permanent connection)
Fixed installation and equipment and for cases where the reliability and the availability is subject to special requirements
- **Category II** (Domestic appliances):
Energy consuming equipment to be supplied from the fixed installation
- **Category I** (Protected electronic circuit):
For connection to circuit in which measures are taken to limit transient overvoltage.

Pollution degree

Per the IEC 60664-1 (formerly VDE 0110) the environment affects the performance of the insulation. Particles can build a bridge between two metal parts. As a rule dust mixed with water can be conductive and more generally speaking metal dust is conductive. Finally, the standard defines 4 levels of pollution:

- **Degree 1** (Air conditioned dry room):
No pollution or only dry, non conductive pollution occurs. The pollution has no influence.
- **Degree 2** (Personal computer in a residential area):
Only non conductive pollution occurs except that occasionally a temporary conductivity caused by condensation is to be expected.
- **Degree 3** (Machine tools):
Conductive pollution occurs or dry non-conductive pollution occurs which becomes conductive due to condensation which is to be expected.
- **Degree 4** (Equipments on roof, locomotives):
Continuous conductivity occurs due to conductive dust, rain or other wet conditions.

Finally, the harsher the environment is, the longer clearance and creepage distances should be. Nonetheless, according the IEC 61984, enclosure rated at IP54 or higher can be dimensioned for a lower pollution degree. This applies to mated connectors disengaged for test and maintenance.

Marking

The marking should give enough details to the user to know what the main characteristics are and without going deep in technical documentation. Below examples identify the suitability of the connector:

- **Example 1:**
Marking of a connector with rated current 16A, rated voltage 400V, rated impulse voltage 6kV and pollution degree 3, 2 and 1 for use in any system, preferably unearthed or delta-earthed systems:

16A 400V 6kV 3

- **Example 2:**
Marking of a connector with rated current 16A, rated insulation voltages line-to-earth 250V, line-to-line 400V, rated impulse voltage 4kV and pollution degree 3, 2 and 1 for use in earthed systems:

16A 250V 400V 4kV 3



What is NEMA rating ?

- NEMA ratings vs IP ratings

Whereas IP ratings only consider protection against ingress of foreign bodies - first digit - and ingress of water (second digit), NEMA ratings consider these but also verify protection from external ice, corrosive materials, oil immersion, etc.

The correlation between NEMA & IP being limited only to dust and water, we can state that a NEMA type is *equivalent to* an IP rating but it is not possible to say the contrary.

Below a list of some NEMA standards:

| Enclosure rating | IP20 | IP22 | IP55 | IP64 | IP65 | IP66 | IP67 |
|------------------|------|------|------|------|------|------|------|
| Type 1 | • | | | | | | |
| Type 3 | | | | • | | | |
| Type 3R | | • | | | | | |
| Type 3S | | | | • | | | |
| Type 4 | | | | | | • | |
| Type 4X | | | | | | • | |
| Type 6 | | | | | | | • |
| Type 12 | | | • | | | | |
| Type 13 | | | | | • | | |

• indicates compliance



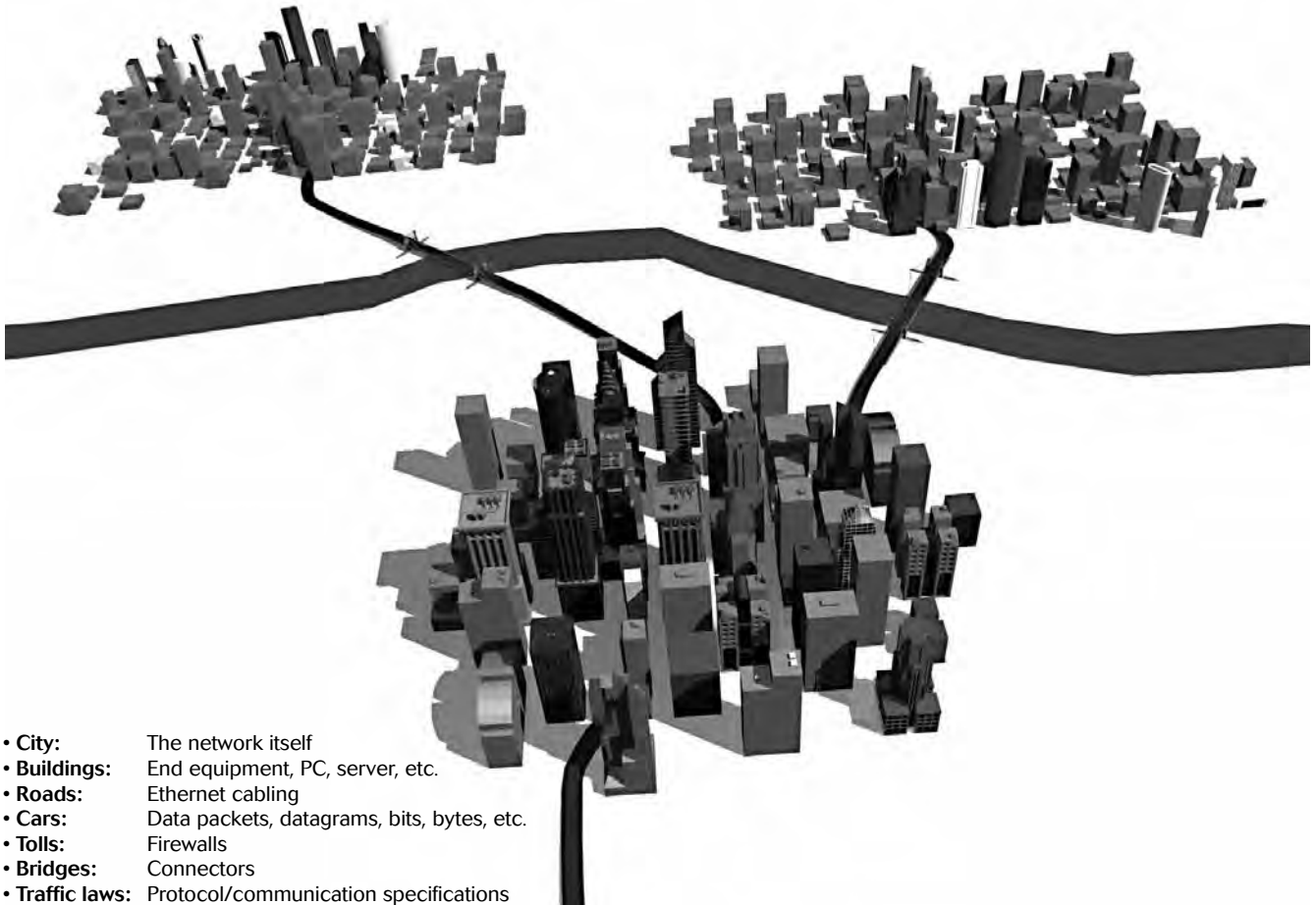
Type 6 rating can be either Type 6 or Type 6P - please see below:

| | | |
|----|------|--|
| 6 | IP67 | Enclosures constructed for either indoor or outdoor use to provide a degree of protection to personnel against incidental contact with the enclosed equipment, falling dirt, hose-directed water, the entry of water during occasional temporary submersion at a limited depth and damage from external ice formation. |
| 6P | IP67 | Enclosures constructed for either indoor or outdoor use to provide a degree of protection to personnel against incidental contact with the enclosed equipment, falling dirt, hose-directed water, the entry of water during prolonged submersion at a limited depth and damage from external ice formation. |



Ethernet for the layman

In order to explain basic Ethernet theory, we can use a functional comparison to a busy city with highways, buildings, and cars. To illustrate this, the table below provides correlation between the different components/pieces/links that encompass Ethernet network connectivity, and the larger scale infrastructure of a metropolitan city.



- **City:** The network itself
- **Buildings:** End equipment, PC, server, etc.
- **Roads:** Ethernet cabling
- **Cars:** Data packets, datagrams, bits, bytes, etc.
- **Tolls:** Firewalls
- **Bridges:** Connectors
- **Traffic laws:** Protocol/communication specifications

Ethernet Basics

Ethernet is a widely used communications protocol that is used to transmit data packets (datagrams) between network devices. Imagine a highway in a large metropolitan area six lanes wide at rush hour. The vehicles on the highway need rules to follow so that they get to their destination without crashing into each other. In an Ethernet network link, there could be 100 million bits of information transmitted in one second. In the Ethernet standard, there exist rules to govern packet structure, transmission requirements, error correction, communication with end equipment, etc.

Examining the differences between 100Mhz, 100 Base TX, Cat5e; what does it all mean?

When discussing connectors and Ethernet, there are a few key details to be aware of:

- 100Mhz is a measurement of Frequency for the signal
 - Comparable to the Speed Limit of a highway
- 100BaseTX (or Fast Ethernet) is an Ethernet link standard and identifies available link bandwidth. The bandwidth is measured in units of Mbits/S (megabits per second)
 - Comparable to the number of cars that pass a point in one second
- Cat5e is an EIA/TIA standard for performance and physical characteristics for cables and connectors
 - Comparable to performance specifications of the car and highway

In connectors and cables, Fast Ethernet uses 2 pairs, one for transmit, one for receive. This way data traffic can flow in both directions simultaneously.



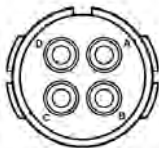
Ethernet for the layman

Souriau offering:

Standard solutions.

UTS Hi seal size 8, 4 contacts

- 1 (Pair 1) < A
- 2 (Pair 1) < C
- 3 (Pair 2) < B
- 4 (Pair 2) < D



8E4/8D4
4 Ø 1 (#20)

UTS size 10, 6 contacts

- 1 (Pair 1) < A
- 2 (Pair 1) < B
- 3 (Pair 2) < E
- 4 (Pair 2) < D



106/10E6/10D6
6 Ø 1 (#20)

Shielding continuity done in cavity C&F.
Note: Shielding can be replaced by DC power.

UTS size 12, 10 contacts

- 1 (Pair 1) < C
- 2 (Pair 1) < B
- 3 (Pair 2) < G
- 4 (Pair 2) < H



12 10/12E 10/12D 10
10 Ø 1 (#20)

What about using coax contacts ?

Ethernet twisted pairs carry a symmetrical (balanced) signal. Once terminated into a coax contact, the inner core will be protected by a shield - but not the outer contact. Because of EMI issues, the signal will no longer be balanced. Conclusion - it does not work and is not recommended.

What about using Quadrax contacts ?

The Quadrax contact is used in railway applications because of the use of quad cable. In this specific market, the standard Ethernet twisted pairs wires cannot be offered, they are too thin and often solid (not stranded).

In the rest of industry, UTP (Unshielded Twisted Pairs) cables are widely used. The Quadrax contact is not designed to terminate them. And thus, are not advised for industrial applications.

Conclusion

To carry 100Mb/s data signal, 100BaseTX or Fast Ethernet recommends the use of Cat5e connectors as well as Cat5e cable with the support of a 100MHz signal. Nevertheless, a 100Mb/s signal can be transmitted in certain conditions (short distance, only one connector, lower frequency but a different code) thru many other connection materials - not necessarily Cat5e rated.

UTS Series

Technical information

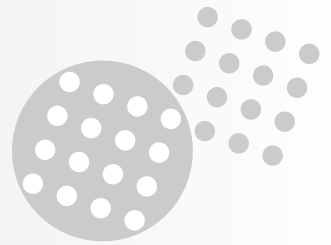




UNIT'S Series

Appendices

| | |
|--|-----|
| ■ #16 coaxial contacts - cabling notices | 176 |
| ■ Glossary of terms | 183 |
| ■ Discrimination/Keying methods | 184 |
| ■ Part number Index | 185 |



#16 coaxial contacts

Coaxial cable - Contact monocrimp and multipiece

| Cable type | Impedance | Contact type | Ø over jacket | | Ø over dielectric | | Inner cond size Ext. Ø mm | Ø outer braid | | Male contact kit for coaxial cable | Female contact kit for coaxial cable |
|-------------------------------|-----------|--------------|---------------|----------|-------------------|-------|------------------------------|---------------|----------|------------------------------------|--------------------------------------|
| | | | inch | mm | inch | mm | | inch | mm | | |
| RG161/U | 75 | Multi piece | 0.09 | 2.29 | 0.057 | 1.45 | | | | RMDXK10D28 | RCDXK1D28 |
| RG179A/U | 75 | | 0.105 | 2.67 | 0.063 | 1.6 | 0.3 | 0.084 | 2.13 max | | |
| RG179B/U | 75 | | 0.105 | 2.67 | 0.063 | 1.6 | 0.3 | 0.084 | 2.13 max | | |
| RG187/U | 75 | | 0.11 | 2.79 max | 0.06 | 1.52 | 0.3 | | | | |
| RG188/U | 50 | | 0.11 | 2.79 max | 0.06 | 1.52 | 0.51 | 0.078 | 1.98 max | | |
| RG174/U | 50 | | 0.11 | 2.92 | 0.06 | 1.52 | 0.48 | 0.088 | 2.24 max | | |
| AMPHENOL 21-598 | 50 | | 0.105 | 2.67 | 0.06 | 1.52 | 0.48 | | | | |
| RG196/U | 50 | | 0.08 | 2.03 max | 0.034 | 0.086 | 0.3 | | | | |
| RG178A/U | 50 | | 0.075 | 1.91 | 0.034 | 0.86 | 0.3 | 0.054 | 1.37 max | | |
| RG188A/U | 50 | Mono crimp | 0.110 | 2.79 | 0.06 | 1.52 | 0.51 | 0.078 | 1.98 max | RMDX6036D28 | RCDX6036D28 |
| KX21TVT (europe) RG178 B/U | 50 | | 0.075 | 1.91 | 0.034 | 0.86 | 0.3 | 0.054 | 1.37 max | RMDX6034D28 | RCDX6034D28 |
| RG178 / BU | 50 | | 0.075 | 1.91 | 0.034 | 0.86 | 0.3 | 0.054 | 1.37 max | RMDX6050D28 | RCDX6016D28 |
| RG174/U | 50 | | 0.115 | 2.92 | 0.06 | 1.52 | 0.48 | 0.088 | 2.24 max | RMDX6032D28 | RCDX6032D28 |
| RG188A/U | 50 | | 0.11 | 2.79 | 0.06 | 1.52 | 0.51 | 0.078 | 1.98 max | RMDX6036D28 | RCDX6036D28 |
| RG316/U | 50 | | 0.107 | 2.72 | 0.6 | 1.52 | 0.51 | 0.078 | 2.05 max | RMDX6036D28 | RCDX6036D28 |
| raychem 5024A3111 | 50 | | 0.12 | 3.05 | 0.083 | 2.11 | 0.64 | 0.097 | 2.46 | RMDX6052D28 | RCDX6052D28 |
| raychem 5026e1614 | 50 | | 0.083 | 2.11 | 0.05 | 1.27 | 0.48 | 0.067 | 1.7 | RMDX6036D28 | RCDX6036D28 |
| suprenant pn 8134 | - | | Multi piece | 0.1 | 2.54 | 0.058 | 1.47 | 0.3 | | | RMDXK10D28 |
| PRD PN 247AS-C123-001 | - | Mono crimp | 0.103 | 2.62 | 0.06 | 1.52 | 0.51 | 0.078 | 1.98 | RMDX6018D28 | RCDX6018D28 |
| PRD PN 247AS-C1251 | - | | 0.092 | 2.34 | 0.05 | 1.27 | 0.64 | 0.067 | 1.7 | RMDX6018D28 | RCDX6018D28 |
| JUDD C15013010902 | - | | 0.087 | 2.13 | 0.05 | 1.27 | 0.48 | 0.066 | 1.67 | RMDX6036D28 | RCDX6036D28 |
| CDC PIN22939200 | - | | 0.09 | 2.29 | 0.048 | 1.22 | 0.3 | 0.064 | 1.63 | RMDX6046D28 | RCDX6016D28 |
| CDC PIN22939200 | - | | 0.09 | 2.29 | 0.048 | 1.22 | 0.3 | 0.064 | 1.63 | RMDX6050D28 | RCDX6016D28 |
| CDC PIN245670000 | - | | 0.104 | 2.64 | 0.067 | 1.7 | 0.3 | 0.083 | 2.11 | RMDX6050D28 | RCDX6016D28 |
| ampex | - | | 0.114 | 2.9 | 0.075 | 1.91 | 0.38 | 0.09 | 1.29 | RMDX6032D28 | RCDX6032D28 |
| TI PN 920580 | - | | 0.7 | 1.78 | 0.038 | 0.96 | 0.48 | 0.054 | 1.37 | RMDX6024D28 | RCDX6024D28 |
| Honeywell PN 58000062 | - | | 0.12 | 3.05 | 0.077 | 1.96 | 0.41 solid | 0.096 | 2.44 | RMDX6026D28 | RCDX6026D28 |
| - | - | | 0.104 | 2.64 | 0.067 | 1.7 | 0.3 | | 2.11 | RMDX6050D28 | - |
| - | - | | 0.09 | 2.29 | 0.048 | 1.22 | 0.3 | | 1.63 | RMDX6050D28 | - |
| - | - | | 0.114 | 2.9 | 0.075 | 1.91 | 0.38 | | 1.29 | RMDX6032D28 | RCDX6032D28 |
| - | - | | 0.07 | 1.78 | 0.038 | 0.96 | 0.48 | | 1.37 | RMDX6024D28 | RCDX6024D28 |
| - | - | | 0.12 | 3.05 | 0.077 | 1.96 | 0.41 | | 2.44 | RMDX6026D28 | RCDX6026D28 |



Twisted cable - Contact monocrimp and multipiece

| Cable type | Contact type | Inner AWG cond | Ø over jacket (single wire) | | Inner cond size | | Ø outer braid | | Male contact kit for coaxial cable | Female contact kit for coaxial cable |
|---|--------------|----------------|-----------------------------|----------|---------------------|-----------|---------------|---------|------------------------------------|--------------------------------------|
| | | | inch | mm | Stranded definition | Ext. Ø mm | inch | mm | | |
| 2#24 stranded mil w 16878 type B | Multi piece | 24 | 0.049 | 1.24 max | 7/.008 | | - | - | RMDXK10D28 | RCDXK1D28 |
| 2 #24 solid mil-w-76 type LW | | 24 | 0.047 | 1.12 max | 1/.0201 | | - | - | RMDXK10D28 | RCDXK1D28 |
| 2 #26 stranded mil w 76 type LW or mil w16878 type b&e | | 26 | 0.043 | 1.09 max | 7/.0063 | 0.16 | - | - | RMDXK10D28 | RCDXK1D28 |
| 2 #28 solid mil-w-8 1822/3 | | 28 | 0.028 | 0.71 max | | | - | - | RMDXK10D28 | RCDXK1D28 |
| TWISTED PAIR 1/.201 SOLID MIL w 76 TYPE lw or MIL W 16878 | | 26 | 0.044 | 1.12 max | 1/.0201 | 0.511 | - | - | RMDXK10D28 | RCDXK1D28 |
| twisted pair solid mil w 8 1822/3 | | 28 | 0.028 | 0.71 max | 1/.0126 | 0.32 | - | - | RMDXK10D28 | RCDXK1D28 |
| #28 7/.0036 per Hitachi spec ec-711 (13-2820) | Mono crimp | - | 0.046 | 1.17 | 7/.0036 | - | - | - | RMDX6031D28 + YORX090 | RCDX6031D28 + YORX090 |
| 202 18201 | | - | 0.028 | 0.71 | - | - | - | - | RMDX6031D28 + YORX090 | RCDX6031D28 + YORX090 |
| #30 solid | | - | 0.025 | 0.64 | - | - | - | - | RMDX6015D28 + YORX090 | RCDX6015D28 + YORX090 |
| #26 7/.0063 | | 26 | 0.028 | 0.71 | 7/.063 | 0.16 | - | - | RMDX6031D28 + YORX090 | RCDX6031D28 + YORX090 |
| #26 19/.004 | | 26 | 0.049 | 1.24 | 19/.004 | - | - | - | RMDX6019D28 + YORX090 | RCDX6019D28 + YORX090 |
| #24 7/.008 | | 24 | 0.049 | 1.24 | 7/.008 | - | - | - | RMDX6019D28 + YORX090 | RCDX6019D28 + YORX090 |
| #24 19/.005 | | 24 | 0.057 | 1.45 | 19/.005 | - | - | - | RMDX6019D28 + YORX090 | RCDX6019D28 + YORX090 |
| - | | 26 | - | 1.25 | - | - | - | 19x0.1 | RMDX6019D28 + YORX090 | RCDX6019D28 + YORX090 |
| - | | 24 | - | 1.25 | - | - | - | 7x0.2 | RMDX6019D28 + YORX090 | RCDX6019D28 + YORX090 |
| - | | 24 | - | 1.45 | - | - | - | 19x0.13 | RMDX6019D28 + YORX090 | RCDX6019D28 + YORX090 |
| - | | 26 | - | 0.7 | - | - | - | 7x0.16 | RMDX6031D28 + YORX090 | RCDX6031D28 + YORX090 |

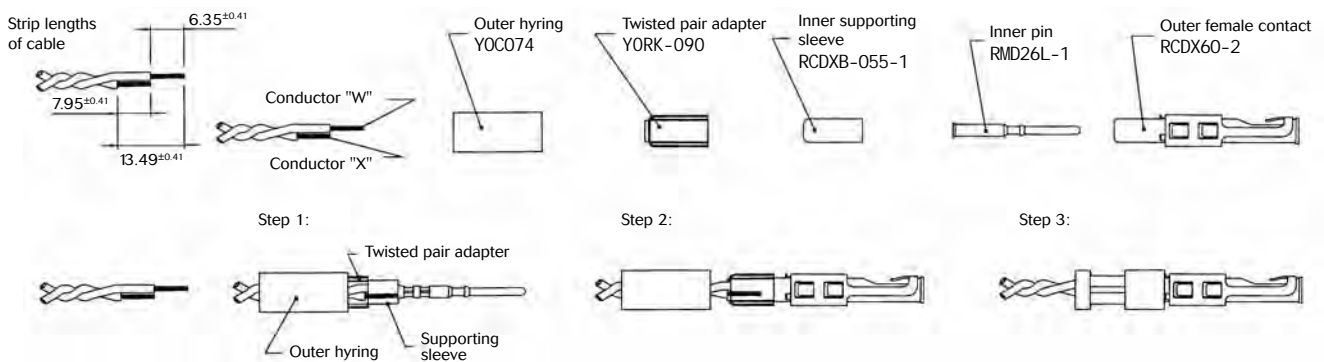


#16 coaxial contacts

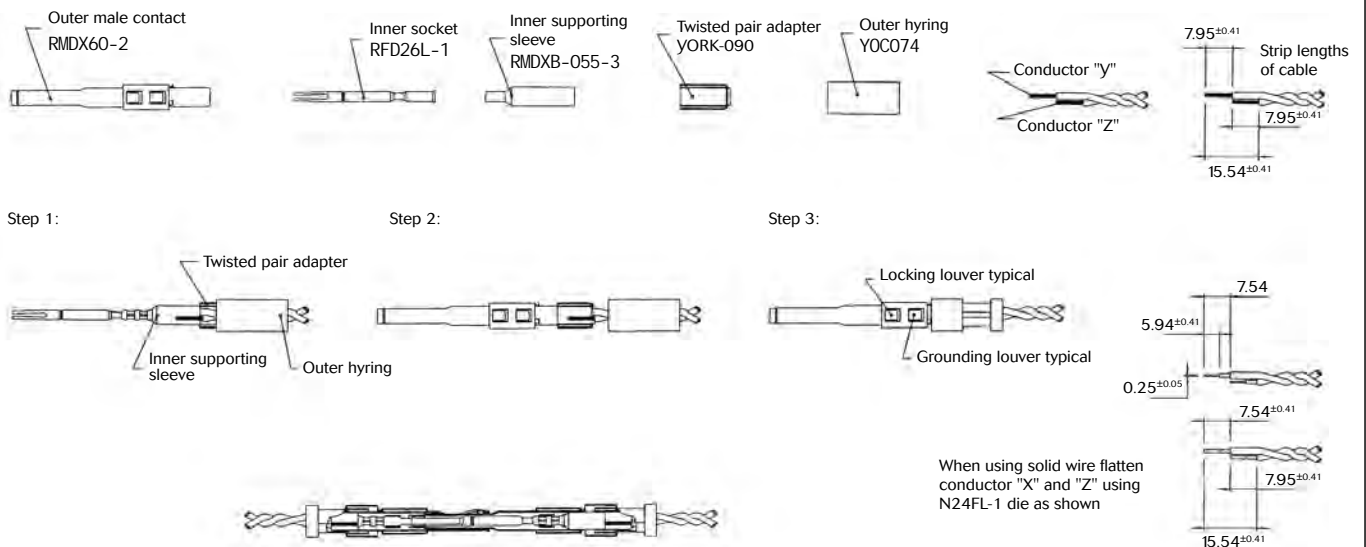
Twisted pair cable multipiece contact cabling

| Cable reference | Contact type | Male contact | Female contact | Crimp tool | Die set | Stop bushing | Cable strip length | | | Inner conductor crimp | | Braid crimp | |
|---|--------------|--------------|----------------|------------|---------|--------------|--------------------|---|---|-----------------------|-------|-------------|-------|
| | | | | | | | A | B | C | g dim | t dim | g dim | t dim |
| 2#24 stranded mil w 16878 type B | Multi piece | RMDXK10D28 | RCDXK1D28 | M10S1J | - | - | | | | See assembly notice | | | |
| 2 #24 solid mil-w-76 type LW | | | | | | | | | | | | | |
| 2 #26 stranded mil w 76 type LW or mil w16878 type B & E | | | | | | | | | | | | | |
| 2 #28 solid mil-w-81822/3 | | | | | | | | | | | | | |
| twisted pair 1/.201 solid mil w 76 type LW or mil w 16878 | | | | | | | | | | | | | |
| twisted pair solid mil w 81822/3 | | | | | | | | | | | | | |

Female contact



Male contact



Note : all dimensions are in mm

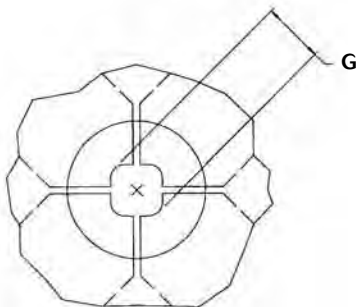
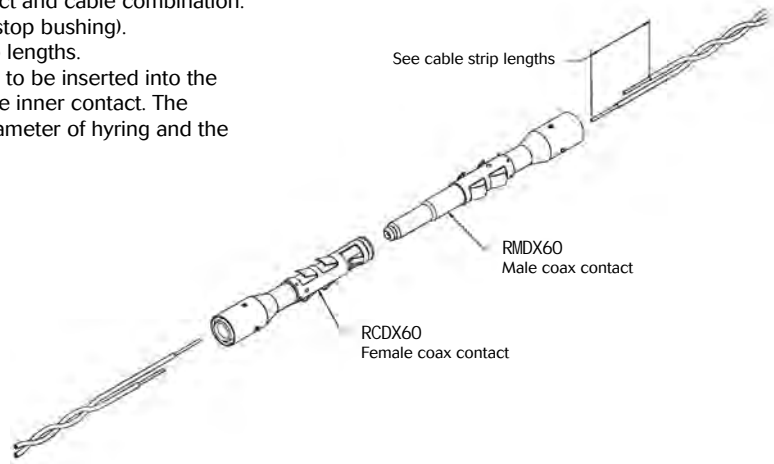
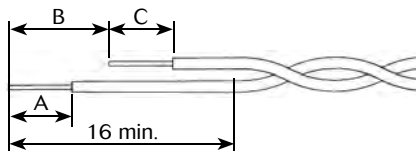


Twisted pair cable monocrimp contact cabling

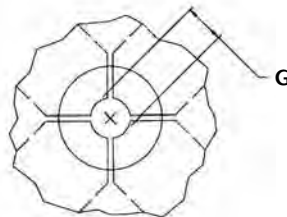
| Cable reference | Contact type | Male contact | Female contact | Crimp tool | Die set | Stop bushing | Cable strip length | | | Inner conductor crimp | | Braid crimp | |
|--|--------------|-----------------------|-----------------------|------------|--|--------------|--------------------|------|--------------|-----------------------|--------------|--------------|--------------|
| | | | | | | | A | B | C | g dim | t dim | g dim | t dim |
| #28 7/0036 per Hitachi spec ec-711 (13-2820) | Mono crimp | RMDX6031D28 + YORX090 | RCDX6031D28 + YORX090 | M10S1J | S80 | SL105 | 4.7 | 6.1 | 4.32 | 1.30 to 1.12 | 1.4 to 1.22 | 2.97 to 2.84 | 3.07 to 2.9 |
| 20218204 | | | | | S80 | SL105 | 3.94 | 6.1 | 3.16 | 1.30 to 1.17 | 1.4 to 1.22 | 2.97 to 2.84 | 3.07 to 2.79 |
| #30 solid | | | | | S83 | SL105 | 4.7 | 6.1 | 4.06 | 1.22 to 1.12 | 1.35 to 1.22 | 2.97 to 2.84 | 3.12 to 2.95 |
| #26 7/0063 | | | | | S80 | SL105 | 4.7 | 6.1 | 4.06 | 1.30 to 1.17 | 1.4 to 1.22 | 2.97 to 2.84 | 3.07 to 2.9 |
| #26 19/004 | | | | | M10SG8 ASSY' Y TOOL DIE SET STOP BUSHING M10S1J TOOL | 4.7 | 6.1 | 4.06 | 1.22 to 1.17 | 1.35 to 1.22 | 2.84 to 2.79 | 3.12 to 2.97 | |
| #24 7/008 | | | | | | 4.7 | 6.1 | 4.06 | 1.22 to 1.17 | 1.35 to 1.22 | 2.84 to 2.79 | 3.12 to 2.97 | |
| #24 19/005 | | | | | | 4.7 | 6.1 | 4.06 | 1.22 to 1.17 | 1.35 to 1.22 | 2.84 to 2.79 | 3.12 to 2.97 | |
| AWG26 (19x0.1) | | | | | M10SG8 crimping kit | 4.7 | 6 | 4 | / | | / | | |
| AWG24 (7x0.2) | | | | | | | | | | | | | |
| AWG24 (19x0.13) | | | | | | | | | | | | | |
| AWG26 (7x0.16) | | | | | | | | | | | | | |
| | | | | | | | | | S80 | SL150 | | | |

- Select appropriate monocrimp coax twisted pair contact and cable combination.
- Select appropriate crimp tooling (hand tool, S-die set, stop bushing).
- Strip the twisted pair cable to the designated wire strip lengths.
- Insert the stripped cable into the contact. One cable is to be inserted into the inside diameter of hying, and pushed forward into the inner contact. The second cable is to be inserted between the outside diameter of hying and the inside diameter of the outer contact body.
- Crimp the contact.

Cable strip length



Braid crimp (G) to be measured with die set fully closed



Inner conductor crimp (G) to be measured with die set fully closed

Note : all dimensions are in mm



#16 coaxial contacts

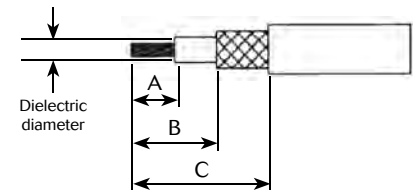
Multipiece male contact with coax cable

| Cable reference | Contact | Hyring complementary components | Outer contact crimp tool | | Inner contact crimp tool | | Cable strip length | | |
|--------------------|---------------------|---------------------------------|--------------------------|--------------|--------------------------|--------------|--------------------|------|-------|
| | | | Crimp tool M10S1J | | Crimp tool M10S1J | | A | B | C |
| | | | Die set | Stop bushing | Die set | Stop bushing | | | |
| RG161U | Male: RMDXK10D28 | YOC074 | S221 | SL471 | S23D2 | SL46D2 | 4.37 | 7.95 | 15.88 |
| RG179 | | | | | | | 4.37 | 7.95 | 15.88 |
| RG187U | | | | | | | 4.37 | 7.95 | 15.88 |
| RG188/U | | | | | | | 4.37 | 7.95 | 15.88 |
| RG174/U | | YOC074 + RMDXB0553 | | | S26D2 | | 4.37 | 7.95 | 15.88 |
| RG178A/U | | | | | S23D2 | | 7.54 | 9.12 | 17.53 |
| RG196U | | YOC074 | | | - | | 7.54 | 9.12 | 17.53 |
| AMPHENOL 21-598 | | | | | - | | 4.37 | 7.95 | 15.88 |
| surprenant pn 8134 | - | | 4.37 | 7.95 | 15.88 | | | | |

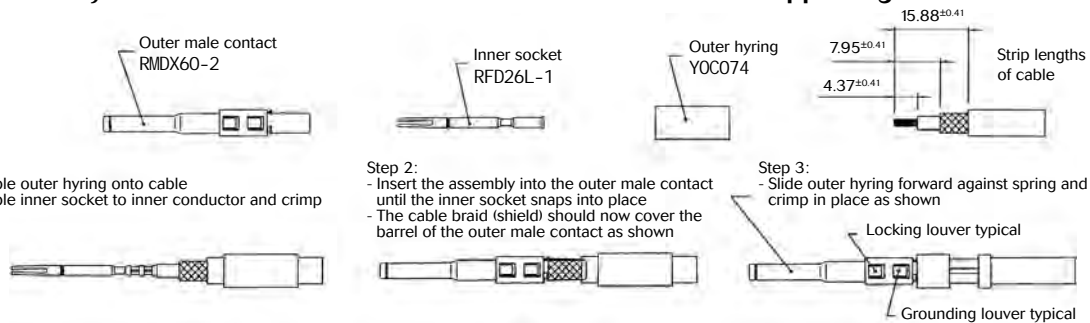
Multipiece kit details

| RMDXK10D28 includes | Component | Description |
|---------------------|------------|-------------------------|
| | RMDX602D28 | Outer contact |
| | RFD26L1D28 | Inner contact |
| | YOC074 | Outer hyring |
| | RMDXB0553 | Inner supporting sleeve |

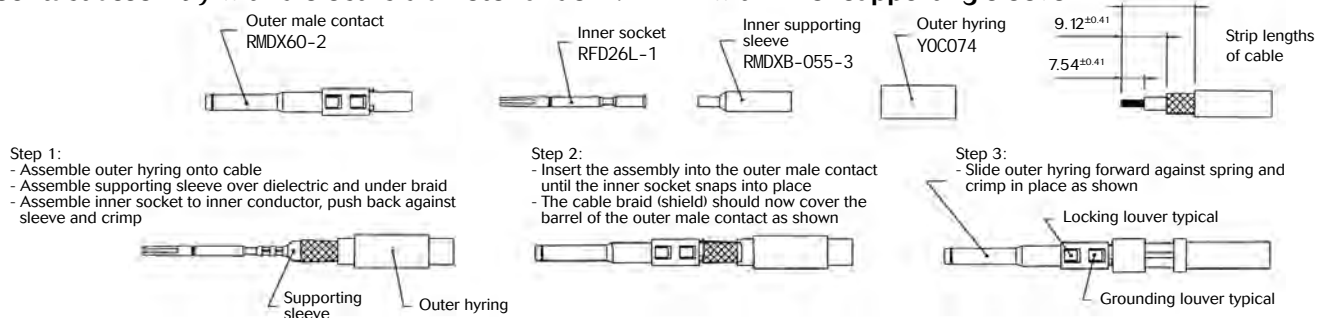
Cable strip length



Contact assembly with dielectric diameter over 1.4mm - without inner supporting sleeve



Contact assembly with dielectric diameter under 1.4mm - with inner supporting sleeve



Note : all dimensions are in mm



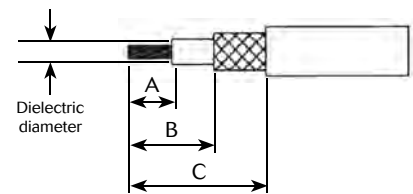
Multipiece female contact with coax cable

| Cable reference | Contact | Hyring complementary components | Outer contact crimp tool | | Inner contact crimp tool | | Cable strip length | | |
|-----------------------|----------------------|---------------------------------|--------------------------|--------------|--------------------------|--------------|--------------------|---|-------|
| | | | Crimp tool M10S1J | | Crimp tool M10S1J | | A | B | C |
| | | | Die set | Stop bushing | Die set | Stop bushing | | | |
| RG161U | Female: RCDXK1D28 | YOC074 | S221 | SL471 | S23D2 | SL46D2 | 4.37 | - | 11.13 |
| RG179 | | | | | | | 4.37 | | 11.13 |
| RG187U | | | | | | | 4.37 | | 11.13 |
| RG188/U | | | | | | | 4.37 | | 11.13 |
| RG174/U | | YOC074 + RMDXB0553 | | | 6.35 | | 11.13 | | |
| RG178A/U | | | | | 6.35 | | 11.13 | | |
| RG196U | | | | | 6.35 | | 11.13 | | |
| AMPHENOL 21-598 | | YOC074 | | | - | | 4.37 | | 11.13 |
| surprenant pn 8134 | | | | | - | | 4.37 | | 11.13 |

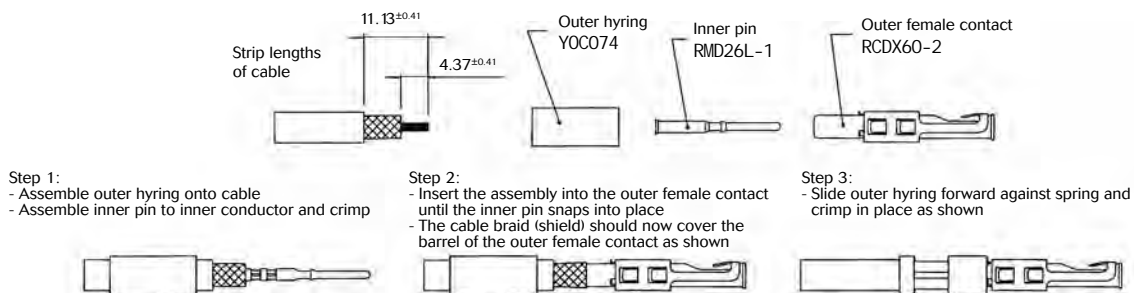
Multipiece kit details

| RCDXK1D28 includes | Part | Description |
|--------------------|------------|-------------------------|
| | RCDX602D28 | Outer contact |
| | RMD26L1D28 | Inner contact |
| | YOC074 | Outer hyring |
| | RCDXB0553 | Inner supporting sleeve |

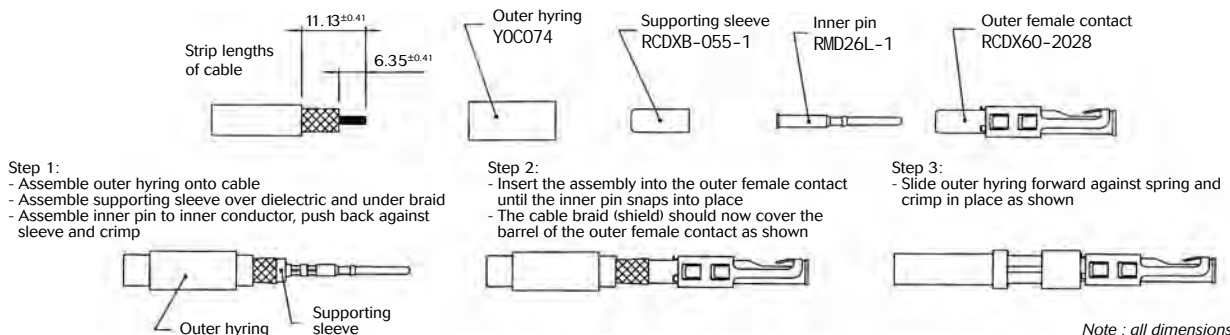
Cable strip length



Contact assembly with dielectric diameter over 1.4mm - without inner supporting sleeve



Contact assembly with dielectric diameter under 1.4mm - with inner supporting sleeve



Note : all dimensions are in mm



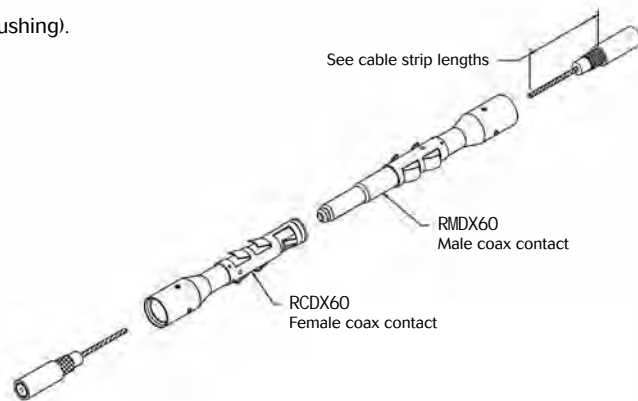
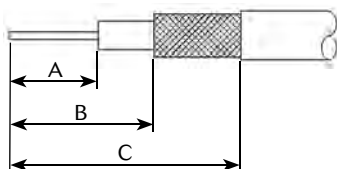
#16 coaxial contacts

Coax cable with monocrimp contact cabling

| Cable reference | Male contact | Female contact | Crimp tool | Die set | Stop bushing | Cable strip length | | | Inner conductor crimp | | Braid crimp | |
|----------------------------------|--------------|----------------|------------|--|--------------|--------------------|------|-------|-----------------------|-----------|-------------|-----------|
| | | | | | | A | B | C | g dim | t dim | g dim | t dim |
| CDC PIN22939200 | RMDX6046D28 | RCDX6016D28 | M10S1J | S80 | SL105 | 4.19 | 5.97 | 8.51 | 1.30/1.17 | 1.40/1.22 | 2.77/2.64 | 3.02/2.84 |
| CDC PIN22939200 | RMDX6046D28 | RCDX6016D28 | | S87 | SL105 | 5.08 | 6.35 | 8.89 | 1.30/1.17 | 1.40/1.22 | 2.77/2.64 | 3.02/2.84 |
| CDC PIN245670000 | RMDX6050D28 | RCDX6016D28 | | S80 | SL105 | 5.08 | 6.35 | 8.89 | 1.30/1.17 | 1.40/1.22 | 2.97/2.84 | 3.12/2.95 |
| KX21TVT (europe) RG178 B/U | RMDX6034D28 | RCDX6034D28 | | S82 | SL105 | 5.08 | 6.35 | 8.89 | 1.30/1.17 | 1.32/1.17 | 2.84/2.74 | 3.07/2.9 |
| RG178 / BU | RMDX6050D28 | RCDX6016D28 | | S87 | SL105 | 5.08 | 6.35 | 8.89 | 1.30/1.17 | 1.40/1.22 | 2.77/2.64 | 3.02/2.84 |
| ampex | RMDX6032D28 | RCDX6032D28 | | S80 | SL105 | 5.08 | 6.35 | 11.68 | 1.30/1.17 | 1.40/1.22 | 2.97/2.84 | 3.12/2.95 |
| TI PN 920580 | RMDX6024D28 | RCDX6024D28 | | S82 | SL105 | 5.08 | 6.35 | 8.89 | 1.35/1.19 | 1.42/1.27 | 2.87/2.74 | 3.07/2.9 |
| RG174/U | RMDX6032D28 | RCDX6032D28 | | S80 | SL105 | 5.08 | 6.35 | 11.68 | 1.30/1.17 | 1.40/1.22 | 2.97/2.84 | 3.12/2.95 |
| Honeywell PN 58000062 | RMDX6026D28 | RCDX6026D28 | | S82 | SL105 | 5.08 | 6.35 | 8.89 | 1.35/1.19 | 1.42/1.27 | 2.87/2.74 | 3.07/2.9 |
| RG188A/U | RMDX6036D28 | RCDX6036D28 | | S80 | SL105 | 5.08 | 6.35 | 11.68 | 1.30/1.17 | 1.40/1.22 | 2.97/2.84 | 3.12/2.95 |
| RG316/U | RMDX6036D28 | RCDX6036D28 | | S80 | SL105 | 5.08 | 6.35 | 11.68 | 1.30/1.17 | 1.40/1.22 | 2.97/2.84 | 3.12/2.95 |
| PRD PN 247AS-C123-001 | RMDX6018D28 | RCDX6018D28 | | M10SG8 ASSY' Y TOOL DIE SET STOP BUSHING M10S1J TOOL | | 5.08 | 6.35 | 8.89 | 1.22/1.17 | 1.35/1.22 | 2.92/2.79 | 3.12/2.97 |
| PRD PN 247AS-C1251 | RMDX6018D28 | RCDX6018D28 | | M10S1J TOOL | | 5.08 | 6.35 | 8.89 | 1.22/1.17 | 1.35/1.22 | 2.92/2.79 | 3.12/2.97 |
| raychem 5024A3111 | RMDX6052D28 | RCDX6052D28 | | S88 | SL105 | 5.08 | 6.35 | 11.68 | 1.37/1.27 | 1.45/1.32 | 2.92/2.79 | |
| raychem 5026e1614 | RMDX6036D28 | RCDX6036D28 | | M10SG8 ASSY' Y TOOL DIE SET STOP BUSHING M10S1J TOOL | | 5.08 | 6.35 | 8.89 | 1.22/1.17 | 1.35/1.22 | 2.92/2.79 | 3.12/2.97 |
| JUDD C15013010902 | RMDX6036D28 | RCDX6036D28 | | M10S1J TOOL | | 5.08 | 6.35 | 8.89 | 1.22/1.17 | 1.35/1.22 | 2.92/2.79 | 3.12/2.97 |
| inner cond. #30, braid diam 2.64 | RMDX6050D28 | - | | S80 | SL105 | 5.1 | 6.35 | 8.9 | - | - | - | - |
| inner cond. #30, braid diam 2.29 | RMDX6050D28 | - | | S87 | SL105 | 4.2 | 6.35 | 8.5 | - | - | - | - |
| inner cond. #28, braid diam 2.9 | RMDX6032D28 | RCDX6032D28 | | S80 | SL105 | 5.1 | 6.35 | 11.7 | - | - | - | - |
| inner cond. #26, braid diam 1.78 | RMDX6024D28 | RCDX6024D28 | | S82 | SL105 | 5.1 | 6.35 | 8.9 | - | - | - | - |
| inner cond. #26, braid diam 3.05 | RMDX6026D28 | RCDX6026D28 | S82 | SL105 | 5.1 | 6.35 | 8.9 | - | - | - | - | |

- Select appropriate cable and contact combination.
- Select appropriate crimp tooling (hand tool, S-die set, stop bushing).
- Strip coax cable to the designated wire strip lengths.
- Insert the stripped coax into the rear of the contact.
- Crimp the contact.

Cable strip length



Note : all dimensions are in mm



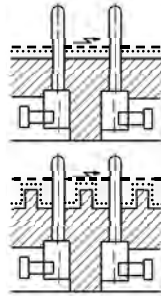
Glossary of terms

- **Clearance**

Per the IEC 60664-1 it is the shortest distance between two conductive parts even over the air.

- **Creepage distance**

Per the IEC 60664-1 it represents the shortest distance along the surface of the insulating material between two conductive parts.



— — — — Air gap
 Creepage distance

- **Working voltage**

Per the IEC 60664-1 it is the highest r.m.s. value of A.C. or D.C. voltage across any particular insulation which can occur when the equipment is supplied at rated voltage.

- **Rated impulse voltage**

Impulse withstands voltage value assigned by the manufacturer to the equipment or to a part of it characterizing the specified withstand capability of its insulation against transient overvoltage.

- **Working current**

It is the maximum continuous and not interrupted current able to be carried by all contacts without exceeding the maximum temperature of the insulating material.

- **Transient voltage**

Extract from the IEC 60664-1: Short duration overvoltage of a few millisecond or less, oscillatory or non-oscillatory, usually highly damped.

- **CTI (Comparative Tracking Index)**

The CTI value is commonly used to characterize the electrical breakdown properties of an insulating material. It allows users to know the tendency to create creepage paths. This value represents the maximum voltage after 50 drops of ammonium chloride solution without any breakdown.

- **RTI (Relative temperature Index):**

Extract from ULs website:

“Maximum service temperature for a material, where a class of critical property will not be unacceptably compromised through chemical thermal degradation, over the reasonable life of an electrical product, relative to a reference material having a confirmed, acceptable corresponding performance defined RTI.

- **RTI Elec:** Electrical RTI, associated with critical electrical insulating properties.

- **RTI Mech Imp:** Mechanical Impact RTI, associated with critical impact resistance, resilience and flexibility properties.

- **RTI Mech Str:** Mechanical Strength (Mechanical without Impact) RTI, associated with critical mechanical strength where impact resistance, resilience and flexibility are not essential”

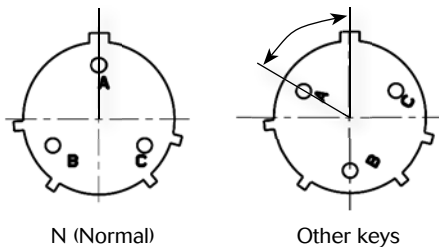


Discrimination/Keying methods

In applications where similar connectors are used next to each other, mismatching can be a reason for disturbances, system failure or even danger to operating personnel.

To eliminate mismatching, all TRIM TRIO® connectors can be equipped with discrimination keys, which offer unlimited possibilities for an error avoiding interconnection system.

The other way around is to rotate the insert into the shell.



*Note: Insert rotated in body
(viewed from front face of male insert)*

Connectors with rotated inserts can be ordered by adding the suffix W, X, Y or Z to the standard part number.

e.g. UTS6JC104S (N key) → UTS6JC104SW (W key)

| Shell size | Layout | Discrimination keys degrees | | | |
|------------|---------------------|-----------------------------|------|------|------|
| | | W | X | Y | Z |
| 8 | 8E2 | 58° | 122° | | |
| | 8E3 8E3A | 60° | 210° | | |
| | 8E4 | 45° | | | |
| | 8E33 | 90° | | | |
| 10 | 102W2 103 104 | | | | |
| | 106 10E6 10E7 | 90° | | | |
| | 10E98 | 90° | 180° | 240° | 270° |
| 12 | 12E2 | | | | |
| | 12E3 | | | 180° | |
| | 124 128 | | | | |
| | 12E8 | 90° | 112° | 203° | 292° |
| | 1210 12E10 | 60° | 155° | 270° | 295° |
| | 12E14 | 45° | | | |
| 14 | 14E5 | 40° | 92° | 184° | 273° |
| | 142G1 147 | | | | |
| | 1412 | 60° | | | |
| | 14E12 | 43° | 90° | | |
| | 14E15 | 17° | 110° | 155° | 234° |
| | 14E18 | 15° | 90° | 180° | 270° |
| | 1419 | 30° | 165° | 315° | |
| | 14E19 | 30° | 165° | 315° | |
| 18 | 18E11 | 62° | 119° | 241° | 340° |
| | 1823 | | 158° | | 270° |
| | 18E30 | 180° | 193° | 285° | 350° |
| | 1832 18E32 | 85° | 138° | 222° | 265° |



Part number Index

Mechanics

| | | | | | |
|-----------------|--------|-------------------|--------|--------------------|--------|
| UTS0104P..... | P. 68 | UTS014D5P..... | P. 120 | UTS1GJC147P..... | P. 88 |
| UTS0104S..... | P. 68 | UTS014D5S..... | P. 120 | UTS1GN104P..... | P. 68 |
| UTS010D6P..... | P. 68 | UTS014E12P..... | P. 112 | UTS1GN128P..... | P. 96 |
| UTS010D6S..... | P. 68 | UTS014E12S..... | P. 112 | UTS1GN1412P..... | P. 108 |
| UTS010D7P..... | P. 68 | UTS014E15P..... | P. 120 | UTS1GN147P..... | P. 88 |
| UTS010D7S..... | P. 68 | UTS014E15S..... | P. 120 | UTS1JC102W2P..... | P. 64 |
| UTS010D98P..... | P. 84 | UTS014E18P..... | P. 124 | UTS1JC102W2S..... | P. 64 |
| UTS010D98S..... | P. 84 | UTS014E18S..... | P. 124 | UTS1JC103P..... | P. 40 |
| UTS010E6P..... | P. 80 | UTS014E19P..... | P. 128 | UTS1JC103S..... | P. 40 |
| UTS010E6S..... | P. 80 | UTS014E19S..... | P. 128 | UTS1JC103W3P..... | P. 40 |
| UTS010E7P..... | P. 92 | UTS014E5P..... | P. 120 | UTS1JC103W3S..... | P. 40 |
| UTS010E7S..... | P. 92 | UTS014E5S..... | P. 120 | UTS1JC104P..... | P. 68 |
| UTS010E98P..... | P. 84 | UTS014E7P..... | P. 88 | UTS1JC104S..... | P. 68 |
| UTS010E98S..... | P. 84 | UTS014E7S..... | P. 88 | UTS1JC106P..... | P. 80 |
| UTS0124P..... | P. 52 | UTS01823P..... | P. 132 | UTS1JC106S..... | P. 80 |
| UTS0128P..... | P. 96 | UTS01823S..... | P. 132 | UTS1JC1210P..... | P. 104 |
| UTS0128S..... | P. 96 | UTS08D2P..... | P. 20 | UTS1JC1210S..... | P. 104 |
| UTS012D10P..... | P. 104 | UTS08D2P..... | P. 20 | UTS1JC124P..... | P. 52 |
| UTS012D10S..... | P. 104 | UTS08D2S..... | P. 20 | UTS1JC124PSCR..... | P. 52 |
| UTS012D14P..... | P. 116 | UTS08D2S..... | P. 20 | UTS1JC124S..... | P. 52 |
| UTS012D14S..... | P. 116 | UTS08D33P..... | P. 44 | UTS1JC128P..... | P. 96 |
| UTS012D2P..... | P. 24 | UTS08D33P..... | P. 44 | UTS1JC128S..... | P. 96 |
| UTS012D2S..... | P. 24 | UTS08D33S..... | P. 44 | UTS1JC1412P..... | P. 108 |
| UTS012D3P..... | P. 48 | UTS08D33S..... | P. 44 | UTS1JC1412S..... | P. 108 |
| UTS012D3S..... | P. 48 | UTS08D3AP..... | P. 36 | UTS1JC1419P..... | P. 128 |
| UTS012D4P..... | P. 68 | UTS08D3AS..... | P. 36 | UTS1JC1419S..... | P. 128 |
| UTS012D4S..... | P. 68 | UTS08D3P..... | P. 36 | UTS1JC142G1P..... | P. 32 |
| UTS012D8P..... | P. 100 | UTS08D3P..... | P. 36 | UTS1JC142G1S..... | P. 32 |
| UTS012D8S..... | P. 100 | UTS08D3S..... | P. 36 | UTS1JC147P..... | P. 88 |
| UTS012E10P..... | P. 104 | UTS08D3S..... | P. 36 | UTS1JC147PSCR..... | P. 88 |
| UTS012E10S..... | P. 104 | UTS08D4P..... | P. 60 | UTS1JC147S..... | P. 88 |
| UTS012E14P..... | P. 116 | UTS08D4P..... | P. 60 | UTS1JC1823P..... | P. 132 |
| UTS012E14S..... | P. 116 | UTS08D4S..... | P. 60 | UTS1JC1823S..... | P. 132 |
| UTS012E2P..... | P. 24 | UTS08D4S..... | P. 60 | UTS1JC1832P..... | P. 136 |
| UTS012E2S..... | P. 24 | UTS08D98P..... | P. 40 | UTS1JC1832S..... | P. 136 |
| UTS012E3P..... | P. 48 | UTS08D98S..... | P. 40 | UTS6102W2P..... | P. 64 |
| UTS012E3S..... | P. 48 | UTS08E2P..... | P. 20 | UTS6102W2S..... | P. 64 |
| UTS012E4P..... | P. 52 | UTS08E2S..... | P. 20 | UTS6103P..... | P. 40 |
| UTS012E4S..... | P. 52 | UTS08E33P..... | P. 44 | UTS6103S..... | P. 40 |
| UTS012E8P..... | P. 100 | UTS08E33S..... | P. 44 | UTS6103W3P..... | P. 40 |
| UTS012E8S..... | P. 100 | UTS08E3AP..... | P. 40 | UTS6103W3S..... | P. 40 |
| UTS01412P..... | P. 108 | UTS08E3AS..... | P. 40 | UTS6104P..... | P. 68 |
| UTS01412S..... | P. 108 | UTS08E3P..... | P. 36 | UTS6104S..... | P. 68 |
| UTS0147P..... | P. 88 | UTS08E3S..... | P. 36 | UTS6106P..... | P. 80 |
| UTS014D12P..... | P. 112 | UTS08E4P..... | P. 60 | UTS6106S..... | P. 80 |
| UTS014D12S..... | P. 112 | UTS08E4S..... | P. 60 | UTS610E6P..... | P. 80 |
| UTS014D15P..... | P. 120 | UTS08E98P..... | P. 40 | UTS610E6S..... | P. 80 |
| UTS014D15S..... | P. 120 | UTS08E98S..... | P. 40 | UTS610E7P..... | P. 92 |
| UTS014D18P..... | P. 124 | UTS1GJC104P..... | P. 68 | UTS610E7S..... | P. 92 |
| UTS014D18S..... | P. 124 | UTS1GJC128P..... | P. 96 | UTS610E98P..... | P. 84 |
| | | UTS1GJC1412P..... | P. 108 | UTS610E98S..... | P. 84 |

UTS Series

Appendices



| | | | | | |
|-----------------|--------|--------------------|--------|--------------------|--------|
| UTS61210P..... | P. 104 | UTS68E98P..... | P. 40 | UTS6JC142G1S..... | P. 32 |
| UTS61210S..... | P. 104 | UTS68E98S..... | P. 40 | UTS6JC147P..... | P. 88 |
| UTS6124P..... | P. 52 | UTS6GJC104S..... | P. 68 | UTS6JC147PSCR..... | P. 88 |
| UTS6124S..... | P. 52 | UTS6GJC128S..... | P. 96 | UTS6JC147S..... | P. 88 |
| UTS6128P..... | P. 96 | UTS6GJC1412S..... | P. 108 | UTS6JC147SSCR..... | P. 88 |
| UTS6128S..... | P. 96 | UTS6GJC147S..... | P. 88 | UTS6JC14E12P..... | P. 112 |
| UTS612E10P..... | P. 104 | UTS6GN104S..... | P. 68 | UTS6JC14E12S..... | P. 112 |
| UTS612E10S..... | P. 104 | UTS6GN128S..... | P. 96 | UTS6JC14E15P..... | P. 120 |
| UTS612E14P..... | P. 116 | UTS6GN1412S..... | P. 108 | UTS6JC14E15S..... | P. 120 |
| UTS612E14S..... | P. 116 | UTS6GN147S..... | P. 88 | UTS6JC14E18P..... | P. 124 |
| UTS612E2P..... | P. 24 | UTS6JC102W2P..... | P. 64 | UTS6JC14E18S..... | P. 124 |
| UTS612E2S..... | P. 24 | UTS6JC102W2S..... | P. 64 | UTS6JC14E19P..... | P. 128 |
| UTS612E3P..... | P. 48 | UTS6JC103P..... | P. 40 | UTS6JC14E19S..... | P. 128 |
| UTS612E3S..... | P. 48 | UTS6JC103S..... | P. 40 | UTS6JC14E5P..... | P. 72 |
| UTS612E4P..... | P. 52 | UTS6JC103W3P..... | P. 40 | UTS6JC14E5S..... | P. 72 |
| UTS612E4S..... | P. 52 | UTS6JC103W3S..... | P. 40 | UTS6JC14E7P..... | P. 88 |
| UTS612E8P..... | P. 100 | UTS6JC104P..... | P. 68 | UTS6JC14E7S..... | P. 88 |
| UTS612E8S..... | P. 100 | UTS6JC104S..... | P. 68 | UTS6JC1823P..... | P. 132 |
| UTS61412P..... | P. 108 | UTS6JC106P..... | P. 80 | UTS6JC1823S..... | P. 132 |
| UTS61412S..... | P. 108 | UTS6JC106S..... | P. 80 | UTS6JC1832P..... | P. 136 |
| UTS61419P..... | P. 128 | UTS6JC10E6P..... | P. 80 | UTS6JC1832S..... | P. 136 |
| UTS61419S..... | P. 128 | UTS6JC10E6S..... | P. 80 | UTS6JC183G1P..... | P. 56 |
| UTS6142G1P..... | P. 32 | UTS6JC10E7P..... | P. 92 | UTS6JC8E2P..... | P. 20 |
| UTS6142G1S..... | P. 32 | UTS6JC10E7S..... | P. 92 | UTS6JC8E2S..... | P. 20 |
| UTS6147P..... | P. 88 | UTS6JC10E98P..... | P. 84 | UTS6JC8E33P..... | P. 44 |
| UTS6147S..... | P. 88 | UTS6JC10E98S..... | P. 84 | UTS6JC8E33S..... | P. 44 |
| UTS614E12P..... | P. 112 | UTS6JC1210P..... | P. 104 | UTS6JC8E3AP..... | P. 40 |
| UTS614E12S..... | P. 112 | UTS6JC1210S..... | P. 104 | UTS6JC8E3AS..... | P. 40 |
| UTS614E15P..... | P. 120 | UTS6JC124P..... | P. 52 | UTS6JC8E3P..... | P. 36 |
| UTS614E15S..... | P. 120 | UTS6JC124PSCR..... | P. 52 | UTS6JC8E3S..... | P. 36 |
| UTS614E18P..... | P. 124 | UTS6JC124S..... | P. 52 | UTS6JC8E4P..... | P. 60 |
| UTS614E18S..... | P. 124 | UTS6JC124SSCR..... | P. 52 | UTS6JC8E4S..... | P. 60 |
| UTS614E19P..... | P. 128 | UTS6JC128P..... | P. 96 | UTS6JC8E98P..... | P. 40 |
| UTS614E19S..... | P. 128 | UTS6JC128S..... | P. 96 | UTS6JC8E98S..... | P. 40 |
| UTS614E5P..... | P. 72 | UTS6JC12E10P..... | P. 104 | UTS7102W2P..... | P. 64 |
| UTS614E5S..... | P. 72 | UTS6JC12E10S..... | P. 104 | UTS7102W2S..... | P. 64 |
| UTS61823P..... | P. 132 | UTS6JC12E14P..... | P. 116 | UTS7103P..... | P. 40 |
| UTS61823S..... | P. 132 | UTS6JC12E14S..... | P. 116 | UTS7103S..... | P. 40 |
| UTS61832P..... | P. 136 | UTS6JC12E2P..... | P. 24 | UTS7103W3P..... | P. 40 |
| UTS61832S..... | P. 136 | UTS6JC12E2S..... | P. 24 | UTS7103W3S..... | P. 40 |
| UTS6183G1P..... | P. 56 | UTS6JC12E3P..... | P. 48 | UTS7104P..... | P. 68 |
| UTS68E2P..... | P. 20 | UTS6JC12E3S..... | P. 48 | UTS7104S..... | P. 68 |
| UTS68E2S..... | P. 20 | UTS6JC12E4P..... | P. 52 | UTS7106P..... | P. 80 |
| UTS68E33P..... | P. 44 | UTS6JC12E4S..... | P. 52 | UTS7106S..... | P. 80 |
| UTS68E33S..... | P. 44 | UTS6JC12E8P..... | P. 100 | UTS710D6P..... | P. 80 |
| UTS68E3AP..... | P. 40 | UTS6JC12E8S..... | P. 100 | UTS710D6P32..... | P. 80 |
| UTS68E3AS..... | P. 40 | UTS6JC1412P..... | P. 108 | UTS710D6S..... | P. 80 |
| UTS68E3P..... | P. 36 | UTS6JC1412S..... | P. 108 | UTS710D6S32..... | P. 80 |
| UTS68E3S..... | P. 36 | UTS6JC1419P..... | P. 128 | UTS710D7P..... | P. 92 |
| UTS68E4P..... | P. 60 | UTS6JC1419S..... | P. 128 | UTS710D7P32..... | P. 92 |
| UTS68E4S..... | P. 60 | UTS6JC142G1P..... | P. 32 | UTS710D7S..... | P. 92 |

UTS Series

Appendices



| | | | | | |
|-------------------|--------|--------------------|--------|--------------------|--------|
| UTS710D7S32..... | P. 92 | UTS712E2P..... | P. 24 | UTS714E7S..... | P. 88 |
| UTS710D98P..... | P. 84 | UTS712E2S..... | P. 24 | UTS71823P..... | P. 132 |
| UTS710D98P32..... | P. 84 | UTS712E3P..... | P. 48 | UTS71823S..... | P. 132 |
| UTS710D98S..... | P. 84 | UTS712E3S..... | P. 48 | UTS71832P..... | P. 136 |
| UTS710D98S32..... | P. 84 | UTS712E4P..... | P. 52 | UTS71832S..... | P. 136 |
| UTS710E6P..... | P. 80 | UTS712E4S..... | P. 52 | UTS7183G1SNPT..... | P. 56 |
| UTS710E6S..... | P. 80 | UTS712E8P..... | P. 100 | UTS78D2P..... | P. 20 |
| UTS710E7P..... | P. 92 | UTS712E8S..... | P. 100 | UTS78D2P32..... | P. 20 |
| UTS710E7S..... | P. 92 | UTS71412P..... | P. 108 | UTS78D2S..... | P. 20 |
| UTS710E98P..... | P. 84 | UTS71412S..... | P. 108 | UTS78D2S32..... | P. 20 |
| UTS710E98S..... | P. 84 | UTS71419P..... | P. 128 | UTS78D33P..... | P. 44 |
| UTS71210P..... | P. 104 | UTS71419S..... | P. 128 | UTS78D33P32..... | P. 44 |
| UTS71210S..... | P. 104 | UTS7142G1P..... | P. 32 | UTS78D33S..... | P. 44 |
| UTS7124P..... | P. 52 | UTS7142G1S..... | P. 32 | UTS78D33S32..... | P. 44 |
| UTS7124PSCR..... | P. 52 | UTS7142G1SNPT..... | P. 32 | UTS78D3AP..... | P. 40 |
| UTS7124S..... | P. 52 | UTS7147P..... | P. 88 | UTS78D3AP32..... | P. 40 |
| UTS7124SSCR..... | P. 52 | UTS7147PSCR..... | P. 88 | UTS78D3AS..... | P. 40 |
| UTS7128P..... | P. 96 | UTS7147PSEK9..... | P. 88 | UTS78D3AS32..... | P. 40 |
| UTS7128PSEK9..... | P. 96 | UTS7147S..... | P. 88 | UTS78D3P..... | P. 36 |
| UTS7128S..... | P. 96 | UTS7147SSCR..... | P. 88 | UTS78D3P32..... | P. 36 |
| UTS712CCRG..... | P. 26 | UTS714D12P..... | P. 112 | UTS78D3S..... | P. 36 |
| UTS712CCRR..... | P. 26 | UTS714D12P32..... | P. 112 | UTS78D3S32..... | P. 36 |
| UTS712CCRY..... | P. 26 | UTS714D12S..... | P. 112 | UTS78D4P..... | P. 60 |
| UTS712D10P..... | P. 104 | UTS714D12S32..... | P. 112 | UTS78D4P32..... | P. 60 |
| UTS712D10P32..... | P. 104 | UTS714D15P..... | P. 120 | UTS78D4S..... | P. 60 |
| UTS712D10S..... | P. 104 | UTS714D15P32..... | P. 120 | UTS78D4S32..... | P. 60 |
| UTS712D10S32..... | P. 104 | UTS714D15S..... | P. 120 | UTS78D98P..... | P. 40 |
| UTS712D14P..... | P. 116 | UTS714D15S32..... | P. 120 | UTS78D98P32..... | P. 40 |
| UTS712D14P32..... | P. 116 | UTS714D18P..... | P. 124 | UTS78D98S..... | P. 40 |
| UTS712D14S..... | P. 116 | UTS714D18P32..... | P. 124 | UTS78D98S32..... | P. 40 |
| UTS712D14S32..... | P. 116 | UTS714D18S..... | P. 124 | UTS78E2P..... | P. 20 |
| UTS712D2P..... | P. 24 | UTS714D18S32..... | P. 124 | UTS78E2S..... | P. 20 |
| UTS712D2P32..... | P. 24 | UTS714D19P..... | P. 128 | UTS78E33P..... | P. 44 |
| UTS712D2S..... | P. 24 | UTS714D19P32..... | P. 128 | UTS78E33S..... | P. 44 |
| UTS712D2S32..... | P. 24 | UTS714D19S..... | P. 128 | UTS78E3AP..... | P. 40 |
| UTS712D3P..... | P. 48 | UTS714D19S32..... | P. 128 | UTS78E3AS..... | P. 40 |
| UTS712D3P32..... | P. 48 | UTS714D5P..... | P. 120 | UTS78E3P..... | P. 36 |
| UTS712D3S..... | P. 48 | UTS714D5P32..... | P. 120 | UTS78E3S..... | P. 36 |
| UTS712D3S32..... | P. 48 | UTS714D5S..... | P. 120 | UTS78E4P..... | P. 60 |
| UTS712D4P..... | P. 52 | UTS714D5S32..... | P. 120 | UTS78E4S..... | P. 60 |
| UTS712D4P32..... | P. 52 | UTS714E12P..... | P. 112 | UTS78E98P..... | P. 40 |
| UTS712D4S..... | P. 52 | UTS714E12S..... | P. 112 | UTS78E98S..... | P. 40 |
| UTS712D4S32..... | P. 52 | UTS714E15P..... | P. 120 | UTS7GJC104P..... | P. 68 |
| UTS712D8P..... | P. 100 | UTS714E15S..... | P. 120 | UTS7GJC128P..... | P. 96 |
| UTS712D8P32..... | P. 100 | UTS714E18P..... | P. 124 | UTS7GJC1412P..... | P. 108 |
| UTS712D8S..... | P. 100 | UTS714E18S..... | P. 124 | UTS7GJC147P..... | P. 88 |
| UTS712D8S32..... | P. 100 | UTS714E19P..... | P. 128 | UTS7GN104P..... | P. 68 |
| UTS712E10P..... | P. 104 | UTS714E19S..... | P. 128 | UTS7GN128P..... | P. 96 |
| UTS712E10S..... | P. 104 | UTS714E5P..... | P. 72 | UTS7GN1412P..... | P. 108 |
| UTS712E14P..... | P. 116 | UTS714E5S..... | P. 72 | UTS7GN147P..... | P. 88 |
| UTS712E14S..... | P. 116 | UTS714E7P..... | P. 88 | | |



Accessories

| | |
|-----------------|--------|
| 85005585A..... | P. 22 |
| 85005586A..... | P. 30 |
| 85005587A..... | P. 26 |
| 85005588A..... | P. 34 |
| 85005590A..... | P. 134 |
| 85005594..... | P. 22 |
| 85005595..... | P. 30 |
| 85005596..... | P. 26 |
| 85005597..... | P. 34 |
| 85005599..... | P. 134 |
| UT610CCRG..... | P. 30 |
| UT610CCRR..... | P. 30 |
| UT610CCRY..... | P. 30 |
| UT612CCRG..... | P. 26 |
| UT612CCRR..... | P. 26 |
| UT612CCRY..... | P. 26 |
| UT614CCRG..... | P. 34 |
| UT614CCRR..... | P. 34 |
| UT614CCRY..... | P. 34 |
| UTFD11B..... | P. 22 |
| UTFD12B..... | P. 30 |
| UTFD13B..... | P. 26 |
| UTFD14B..... | P. 34 |
| UTFD16B..... | P. 134 |
| UTS10DCG..... | P. 30 |
| UTS10DCGE..... | P. 30 |
| UTS10DCGR..... | P. 30 |
| UTS12DCG..... | P. 26 |
| UTS12DCGE..... | P. 26 |
| UTS12DCGR..... | P. 26 |
| UTS14DCG..... | P. 34 |
| UTS14DCGE..... | P. 34 |
| UTS14DCGR..... | P. 34 |
| UTS18DCG..... | P. 134 |
| UTS18DCGE..... | P. 134 |
| UTS18DCGR..... | P. 134 |
| UTS610DCG..... | P. 30 |
| UTS612DCG..... | P. 26 |
| UTS614DCG..... | P. 34 |
| UTS618DCG..... | P. 134 |
| UTS68C..... | P. 22 |
| UTS710CCRG..... | P. 30 |
| UTS710CCRR..... | P. 30 |
| UTS710CCRY..... | P. 30 |
| UTS712CCRG..... | P. 26 |
| UTS712CCRR..... | P. 26 |
| UTS712CCRY..... | P. 26 |
| UTS714CCRG..... | P. 34 |
| UTS714CCRR..... | P. 34 |
| UTS714CCRY..... | P. 34 |

| | |
|---------------|-------|
| UTS8DCG..... | P. 22 |
| UTS8DCGE..... | P. 22 |
| UTS8DCGR..... | P. 22 |

Contacts

| | |
|------------------|--------|
| 82911456K..... | P. 145 |
| 82911457NK..... | P. 145 |
| 82911458K..... | P. 145 |
| 82911459NK..... | P. 145 |
| 82911460K..... | P. 145 |
| 82911461NK..... | P. 145 |
| 82911462K..... | P. 145 |
| 82911463NK..... | P. 145 |
| 82911464K..... | P. 145 |
| 82911465NK..... | P. 145 |
| 82911466K..... | P. 145 |
| 82911467NK..... | P. 145 |
| 82913600A..... | P. 145 |
| 82913601A..... | P. 145 |
| 82913602A..... | P. 145 |
| 82913603A..... | P. 145 |
| 82913604A..... | P. 145 |
| 82913605A..... | P. 145 |
| 82913606A..... | P. 145 |
| 82913607A..... | P. 145 |
| 82913608A..... | P. 145 |
| 82913609A..... | P. 145 |
| RC14M30GE7K..... | P. 146 |
| RC14M30K..... | P. 145 |
| RC14M50GE7K..... | P. 146 |
| RC14M50K..... | P. 145 |
| RC16M23GE7K..... | P. 146 |
| RC16M23K..... | P. 145 |
| RC18W3K..... | P. 145 |
| RC20M12E83K..... | P. 148 |
| RC20M12E84K..... | P. 145 |
| RC20M12E8K..... | P. 145 |
| RC20M12GE7K..... | P. 146 |
| RC20M12K..... | P. 145 |
| RC20M13GE7K..... | P. 146 |
| RC20M13K..... | P. 145 |
| RC20W3K..... | P. 145 |
| RC24M9GE7K..... | P. 146 |
| RC24M9K..... | P. 145 |
| RC24W3K..... | P. 145 |
| RC28M1GE7K..... | P. 146 |
| RC28M1K..... | P. 145 |
| RCDX6016D28..... | P. 182 |
| RCDX6019D28..... | P. 182 |

| | |
|------------------|--------|
| RCDX6024D28..... | P. 182 |
| RCDX6026D28..... | P. 182 |
| RCDX602D28..... | P. 181 |
| RCDX6032D28..... | P. 182 |
| RCDX6036D28..... | P. 182 |
| RCDX6052D28..... | P. 182 |
| RCDXK1D28..... | P. 181 |
| RCPOF1000B..... | P. 150 |
| RCW5016K..... | P. 145 |
| RCW50A7K..... | P. 148 |
| RM14M30GE1K..... | P. 146 |
| RM14M30K..... | P. 145 |
| RM14M50GE1K..... | P. 146 |
| RM14M50K..... | P. 148 |
| RM16M23GE1K..... | P. 146 |
| RM16M23K..... | P. 145 |
| RM18W3K..... | P. 145 |
| RM20M12E83K..... | P. 145 |
| RM20M12E8K..... | P. 145 |
| RM20M12GE1k..... | P. 146 |
| RM20M12K..... | P. 145 |
| RM20M13GE1k..... | P. 146 |
| RM20M13K..... | P. 145 |
| RM20W3K..... | P. 145 |
| RM24M9GE1k..... | P. 146 |
| RM24M9K..... | P. 145 |
| RM24W3K..... | P. 145 |
| RM28M1GE1k..... | P. 146 |
| RM28M1K..... | P. 145 |
| RMDX6019D28..... | P. 177 |
| RMDX6024D28..... | P. 176 |
| RMDX6026D28..... | P. 176 |
| RMDX602D28..... | P. 182 |
| RMDX6031D28..... | P. 179 |
| RMDX6032D28..... | P. 182 |
| RMDX6036D28..... | P. 182 |
| RMDX6050D28..... | P. 182 |
| RMDXK10D28..... | P. 178 |
| RMP0F1000..... | P. 150 |
| RMW5016K..... | P. 148 |
| RMW50A7K..... | P. 148 |
| SC14M1TK6..... | P. 145 |
| SC14ML1TK6..... | P. 145 |
| SC16M11TK6..... | P. 145 |
| SC16M1TK6..... | P. 145 |
| SC16ML11TK6..... | P. 145 |
| SC16ML1TK6..... | P. 145 |
| SC20M1TK6..... | P. 145 |
| SC20ML1TK6..... | P. 145 |
| SC20W3TK6..... | P. 145 |
| SC20WL3TK6..... | P. 145 |

UTS Series

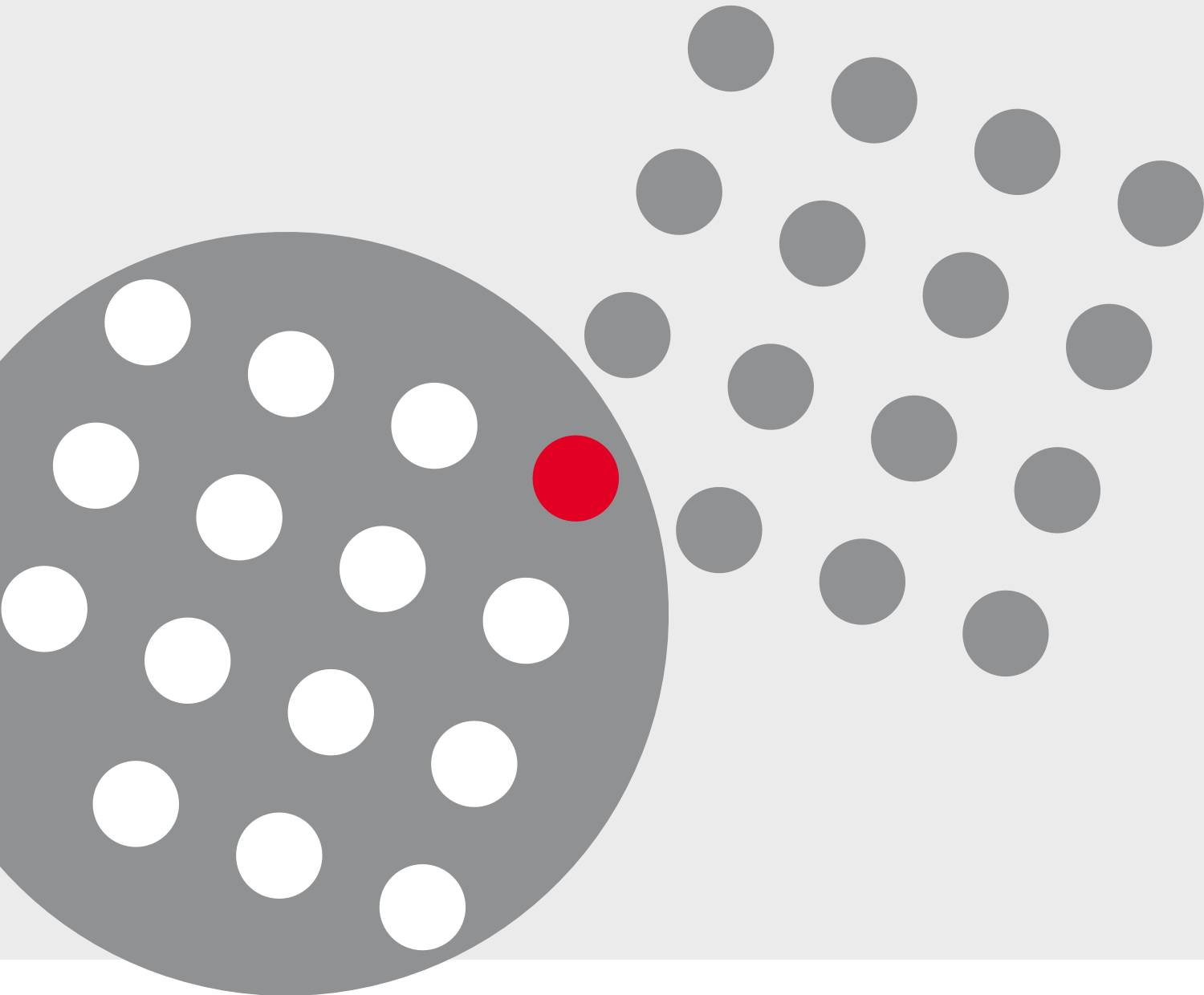
Appendices



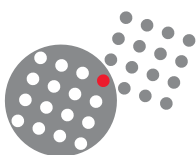
| | | | |
|-------------------|--------|-----------------|--------|
| SC24M1TK6. | P. 145 | sl 471. | P. 180 |
| SC24ML1TK6. | P. 145 | UH25. | P. 155 |
| SC24W3TK6. | P. 145 | VGE10077A. | P. 155 |
| SC24WL3TK6. | P. 145 | VGE10078A. | P. 155 |
| SM14M1TK6. | P. 145 | | |
| SM14ML1TK6. | P. 145 | | |
| SM16M11TK6. | P. 145 | | |
| SM16M1TK6. | P. 145 | | |
| SM16ML11TK6. | P. 145 | | |
| SM16ML1TK6. | P. 145 | | |
| SM20M1TK6. | P. 145 | | |
| SM20ML1TK6. | P. 145 | | |
| SM20W3TK6. | P. 145 | | |
| SM20WL3TK6. | P. 145 | | |
| SM24M1TK6. | P. 145 | | |
| SM24ML1TK6. | P. 145 | | |
| SM24W3TK6. | P. 145 | | |
| SM24WL3TK6. | P. 145 | | |

Tooling

| | |
|-------------------|--------|
| 51060210924. | P. 155 |
| 51060210936. | P. 155 |
| M10S1J. | P. 178 |
| M10SG8. | P. 179 |
| M317. | P. 155 |
| MH860. | P. 155 |
| MH86164G. | P. 155 |
| MH86186. | P. 155 |
| RX2025GE1. | P. 155 |
| RX20D44. | P.162 |
| S16RCM14. | P. 155 |
| S16RCM1450. | P. 155 |
| S16RCM16. | P. 155 |
| S16SCM20. | P. 155 |
| S16SCML1. | P. 155 |
| S16SCML11. | P. 155 |
| S20RCM. | P. 155 |
| S16SCM20. | P. 155 |
| S20SCM20. | P. 155 |
| S221. | P. 180 |
| S23D2. | P. 180 |
| S80. | P. 179 |
| S82. | P. 182 |
| S83. | P. 179 |
| S87. | P. 182 |
| S88. | P. 182 |
| SHANDLES. | P. 155 |
| SL105. | P. 179 |
| sl 46D2. | P. 180 |



www.souriau.com
www.souriau-industrial.com
contactindustry@souriau.com



SOURIAU