

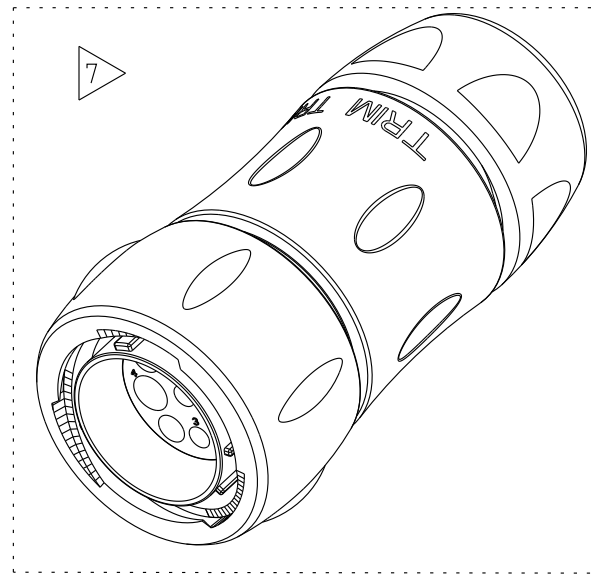
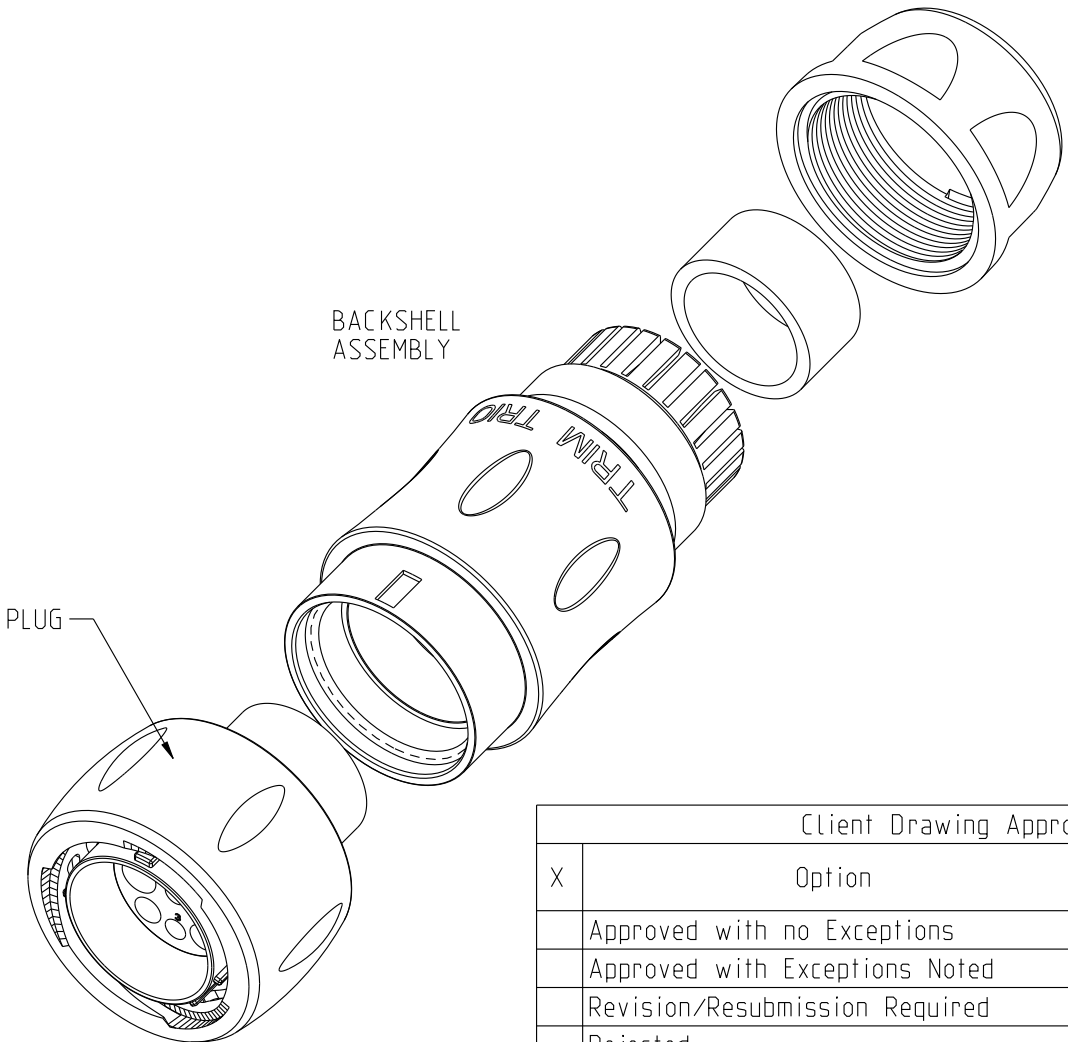
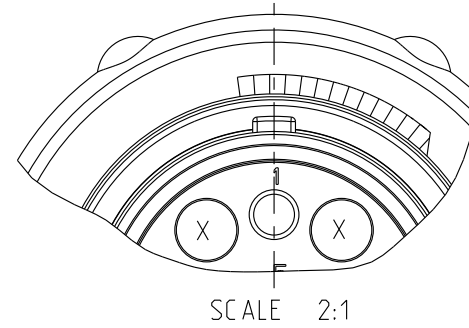
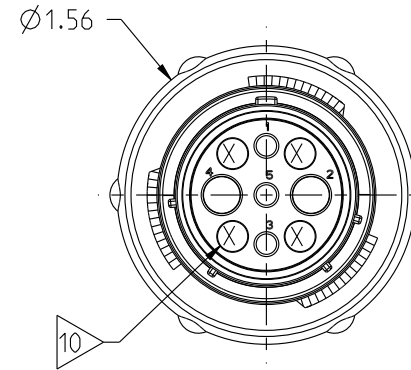
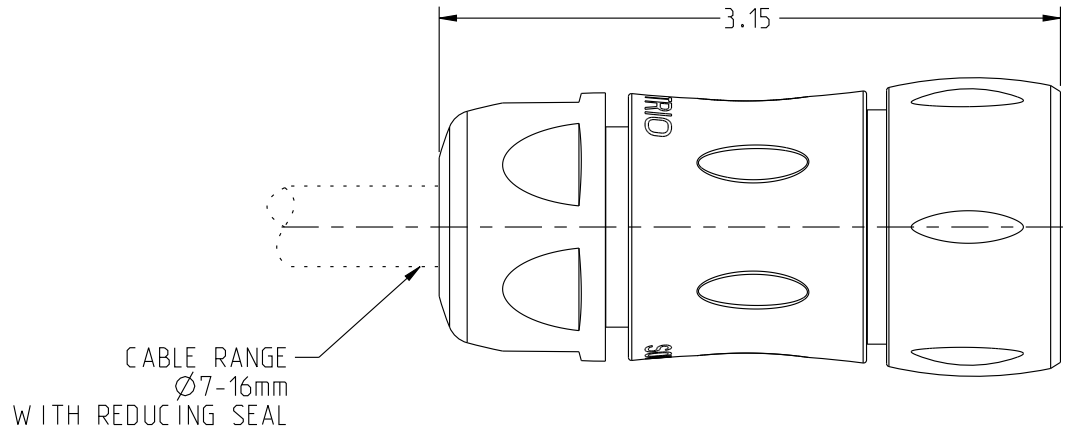
DWG. NO.
S100058

CIRCUIT	USE	MAXIMUM CURRENT (AMP)	MAXIMUM VOLTAGE (VAC)	MAXIMUM WIRE Ø (mm)
2,4	POWER	44	600	6.3
1,3,5	SIGNAL	13	250	3.3

NOTES:

- MATES WITH UTS7__18X2M3S.
- CIRCUITS 2 & 4 USE Ø3.6mm TRIM TRIO PIN CONTACTS ORDERED SEPARATELY.
- CIRCUITS 1, 3, AND 5 USE Ø1.6mm TRIM TRIO PIN CONTACTS ORDERED SEPARATELY.
- MATERIALS: ALL RoHS COMPLIANT
 - PLUG: COUPLING AND INSULATOR: POLYAMIDE UL94V0, COLOR-BLACK.
 - BACKSHELL: POLYAMIDE UL94V0, COLOR-BLACK.
- MECHANICAL / ENVIRONMENTAL PERFORMANCE
 - OPERATING TEMPERATURE: -40° TO +105 °C.
 - CORROSION: SALT SPRAY, 500 HOURS.
 - DURABILITY: 250 MATE-UNMATE CYCLES.
 - VIBRATION: SINUSOIDAL PER CEI 60512-4; 10-TO-2,000 Hz.
 - THERMAL SHOCK: 5 CYCLES X 30-MINUTES: -40° TO +105 °C.
 - SEALING IN MATED CONDITION: IEC 60529-IP68: 10M WATER, 1-WEEK; DYNAMIC-IP69K: HIGH-PRESSURE WATER, DIN 40050.
- ELECTRICAL PERFORMANCE: DIELECTRIC WITHSTANDING VOLTAGE / INSULATION RESISTANCE
 - 2200 VRMS MAX. BETWEEN CIRCUITS 2,4 / 5000 M Ohm MIN. @ 500 VDC.
 - 1500 VRMS MAX. BETWEEN CIRCUITS 1,3,5 / 5000 M Ohm MIN. @ 500 VDC.
- PACKAGING: SOURIAU LABEL INCLUDES PART NO.,QTY. & UL INFORMATION.
- UL 1977 RECOGNIZED
- U.S. PATENT 7,955,125.
- MOLDING VOID CORES ARE INDICATED "X"

THIS DRAWING IS A CONTROLLED DOCUMENT FOR SOURIAU USA, INC. IT IS SUBJECT TO CHANGE WITHOUT NOTIFICATION. CONTACT THE DOCUMENT CONTROL CENTER FOR THE LATEST REVISION.



THE INFORMATION CONTAINED IN THIS DRAWING IS CONFIDENTIAL AND MAY NOT BE DISCLOSED WITHOUT WRITTEN CONSENT FROM SOURIAU USA, INC.

F99932

Client Drawing Approval	
X	Option
	Approved with no Exceptions
	Approved with Exceptions Noted
	Revision/Resubmission Required
	Rejected
	The signature above indicates the client's authorized representative has reviewed, understands, and concurs with the requirements defined herein. If no signature is provided, placement of a purchase order by the client is considered drawing acceptance.

Authorized Signature & Date
Company Name

LINEAR MEASURE:	INCH [mm]
THIRD ANGLE PROJECTION	
TOLERANCES UNLESS OTHERWISE SPECIFIED	
No. OF PLACES	INCH [mm]
ONE PLACE	±.1 [±3]
TWO PLACES	±0.02 [±.5]
THREE PLACES	±0.010 [±.25]
ANGLES	±1°

A	RELEASED PER ECN 11932	RSK 03-12-13	NPP 03-12-13
REV	DESCRIPTION	BY DATE	CHKD DATE

DRAWING TITLE
UTS PLUG, SIZE-18, PIN 2X#8, 3X#16

CAT NO. **UTS6JC18X2M3P**

CAGE NO: 09922 SIZE: B

CUSTOMER

SOURIAU

www.souriau.com

INTERPRET THIS DRAWING IN ACCORDANCE WITH ASME Y14.5M - 1994.

DRAWN: RSK	03-06-13
CHKD : NPP	03-06-13
DSGN : NPP	03-06-13
MFG : DH	03-06-13
QC : BB	03-06-13
DRAWING SCALE: 1:1	
DRAWING NO.	REV
S100058	A
1 OF 1	

B

A