

DWG. NO.
S100057

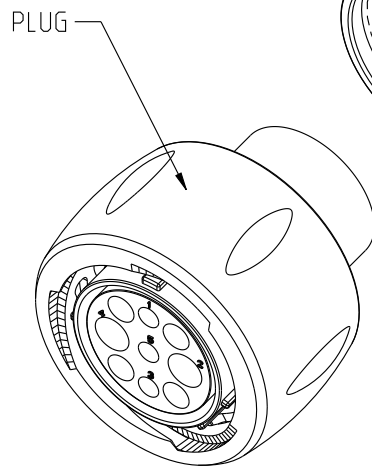
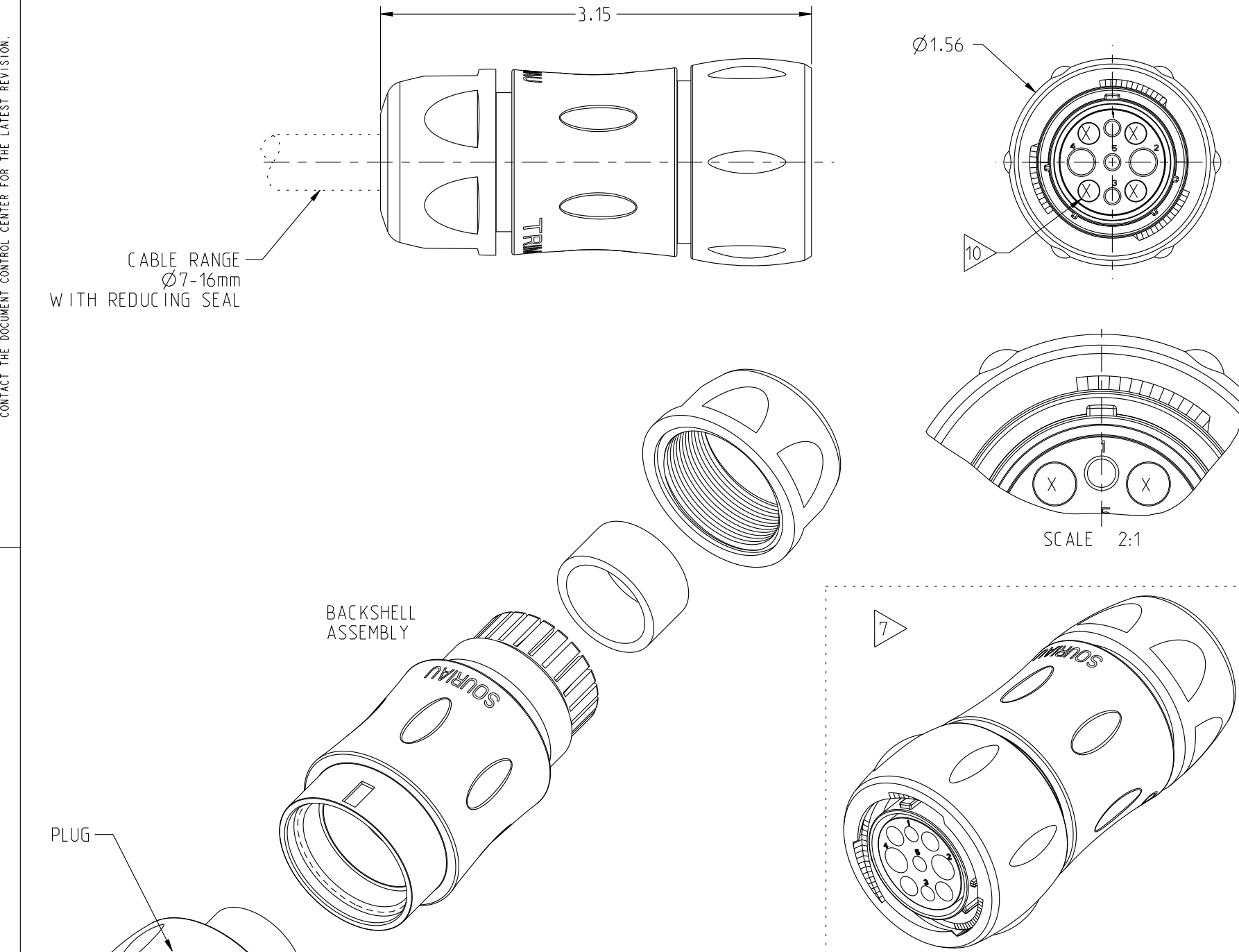
CIRCUIT	USE	MAXIMUM CURRENT (AMP)	MAXIMUM VOLTAGE (VAC)	MAXIMUM WIRE Ø (mm)
2,4	POWER	44	600	6.3
1,3,5	SIGNAL	13	250	3.3

NOTES:

- MATES WITH UTS7__18X2M3P.
- CIRCUITS 2 & 4 USE Ø3.6mm TRIM TRIO SOCKET CONTACTS ORDERED SEPARATELY.
- CIRCUITS 1, 3, AND 5 USE Ø1.6mm TRIM TRIO SOCKET CONTACTS ORDERED SEPARATELY.
- MATERIALS: ALL RoHS COMPLIANT
 - PLUG: COUPLING AND INSULATOR: POLYAMIDE UL94V0, COLOR-BLACK.
 - BACKSHELL: POLYAMIDE UL94V0, COLOR-BLACK.
- MECHANICAL / ENVIRONMENTAL PERFORMANCE
 - OPERATING TEMPERATURE: -40° TO +105°C.
 - CORROSION: SALT SPRAY, 500 HOURS.
 - DURABILITY: 250 MATE-UNMATE CYCLES.
 - VIBRATION: SINUSOIDAL PER CEI 60512-4; 10-TO-2,000 Hz.
 - THERMAL SHOCK: 5 CYCLES X 30-MINUTES: -40° TO +105°C.
 - SEALING IN MATED CONDITION: IEC 60529-IP68: 10M WATER, 1-WEEK; DYNAMIC-IP69K: HIGH-PRESSURE WATER, DIN 40050.
- ELECTRICAL PERFORMANCE: DIELECTRIC WITHSTANDING VOLTAGE / INSULATION RESISTANCE
 - 2200 VRMS MAX. BETWEEN CIRCUITS 2,4 / 5000 M Ohm MIN. @ 500 VDC.
 - 1500 VRMS MAX. BETWEEN CIRCUITS 1,3,5 / 5000 M Ohm MIN. @ 500 VDC.
- PACKAGING: SOURIAU LABEL INCLUDES PART NO.,QTY. & UL INFORMATION.
- UL 1977 RECOGNIZED
- U.S. PATENT 7,955,125.
- MOLDING VOID CORES ARE INDICATED "X".

THIS DRAWING IS A CONTROLLED DOCUMENT FOR SOURIAU USA, INC. IT IS SUBJECT TO CHANGE WITHOUT NOTIFICATION. CONTACT THE DOCUMENT CONTROL CENTER FOR THE LATEST REVISION.

THE INFORMATION CONTAINED IN THIS DRAWING IS CONFIDENTIAL AND MAY NOT BE DISCLOSED WITHOUT WRITTEN CONSENT FROM SOURIAU USA, INC.



BACKSHELL ASSEMBLY

PLUG

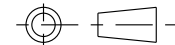
Client Drawing Approval	
X	Option
	Approved with no Exceptions
	Approved with Exceptions Noted
	Revision/Resubmission Required
	Rejected
The signature above indicates the client's authorized representative has reviewed, understands, and concurs with the requirements defined herein. If no signature is provided, placement of a purchase order by the client is considered drawing acceptance.	

Authorized Signature & Date

Company Name

LINEAR MEASURE: $\frac{INCH}{mm}$ INCH [mm]

THIRD ANGLE PROJECTION



TOLERANCES UNLESS OTHERWISE SPECIFIED

No. OF PLACES	INCH [mm]
ONE PLACE	±.1 [±.3]
TWO PLACES	±0.02 [±.5]
THREE PLACES	±0.010 [±.25]

ANGLES ±1°

REV	DESCRIPTION	BY DATE	CHKD DATE
A	RELEASED PER ECN 11932	RSK 03-12-13	NPP 03-12-13

DRAWING TITLE

UTS CABLE PLUG, SIZE-18, SOCKET, 2X#8, 3X#16

CAT NO.

UTS6JC18X2M3S

CAGE NO: 09922

SIZE: B

CUSTOMER

SOURIAU

INTERPRET THIS DRAWING IN ACCORDANCE WITH ASME Y14.5M - 1994.

www.souriau.com

APPROVAL	DRAWN:	DATE
	RSK	03-06-13
	NPP	03-06-13
	NPP	03-06-13
	DH	03-06-13
	BB	03-06-13
DRAWING SCALE: 1:1		
DRAWING NO.		REV
S100057		A
1 OF 1		