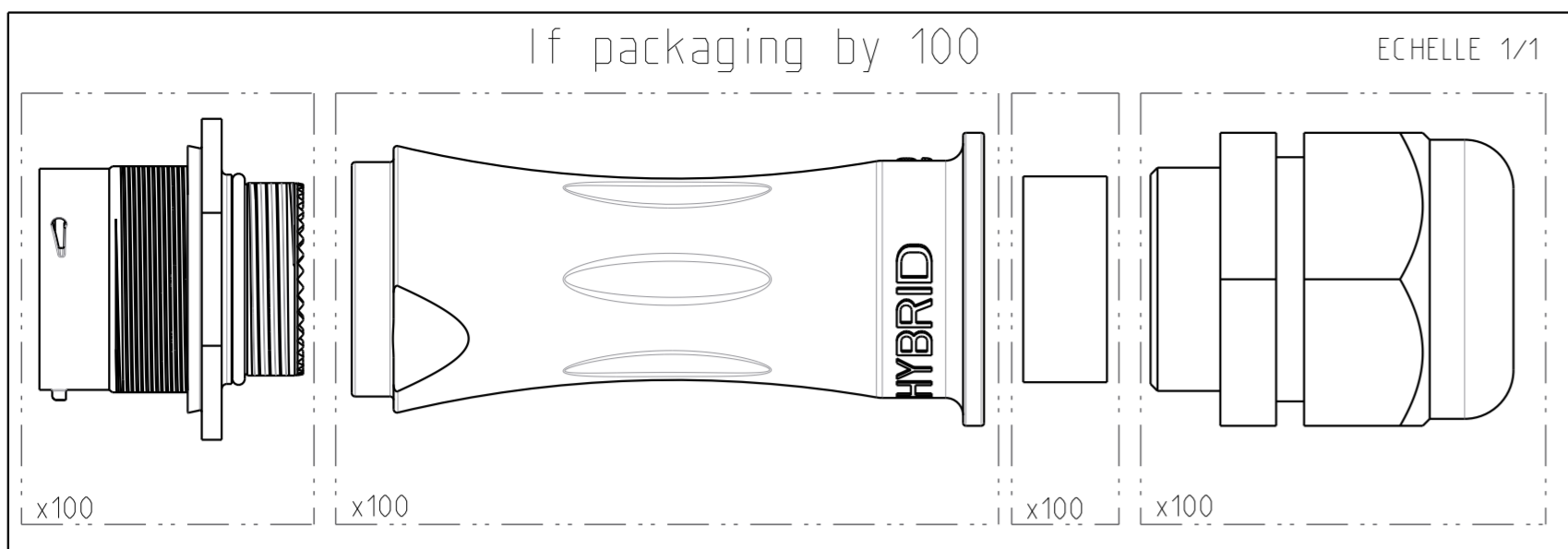


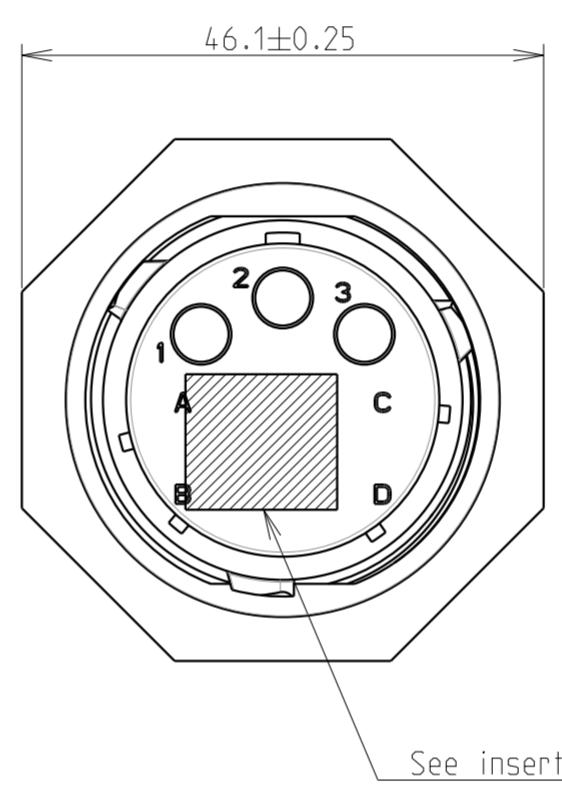
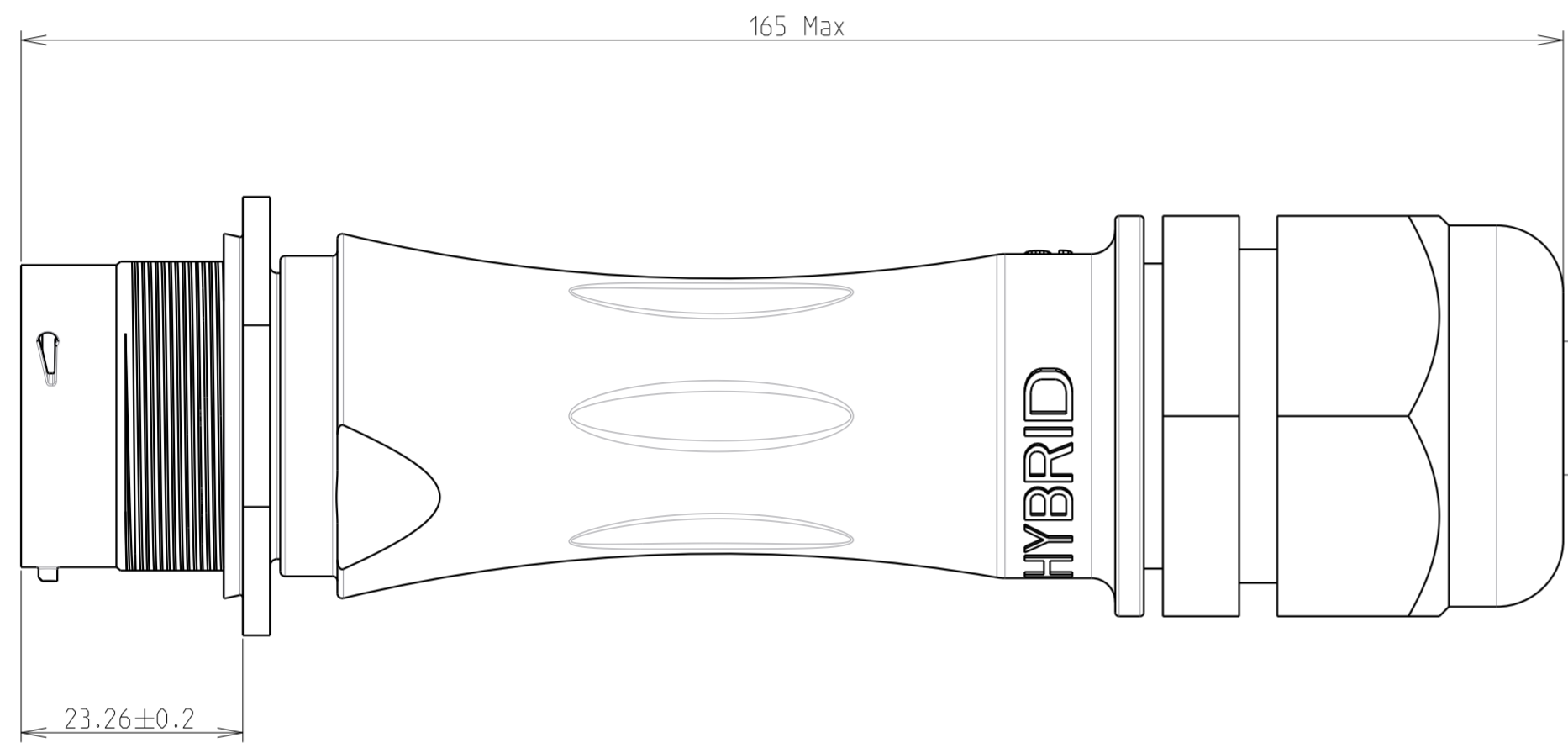
A.1: Développement



Mass (g)	Area (mm ²)	Volume (mm ³)
165.23	54615	91738

UTS 1 JC 20 HYB -- N --

- 1 : Jan Nut
- JC : with Backshell
- Size shell : 20 only
- Hybrid connector
- Insert Arrangement :
MP : optical contact MPO
MU : optical contact MU
- Polarisation : N only
- Packaging:
" " : x1
B : x100



QUALITY REQUIREMENTS:

Supply requirements:
--

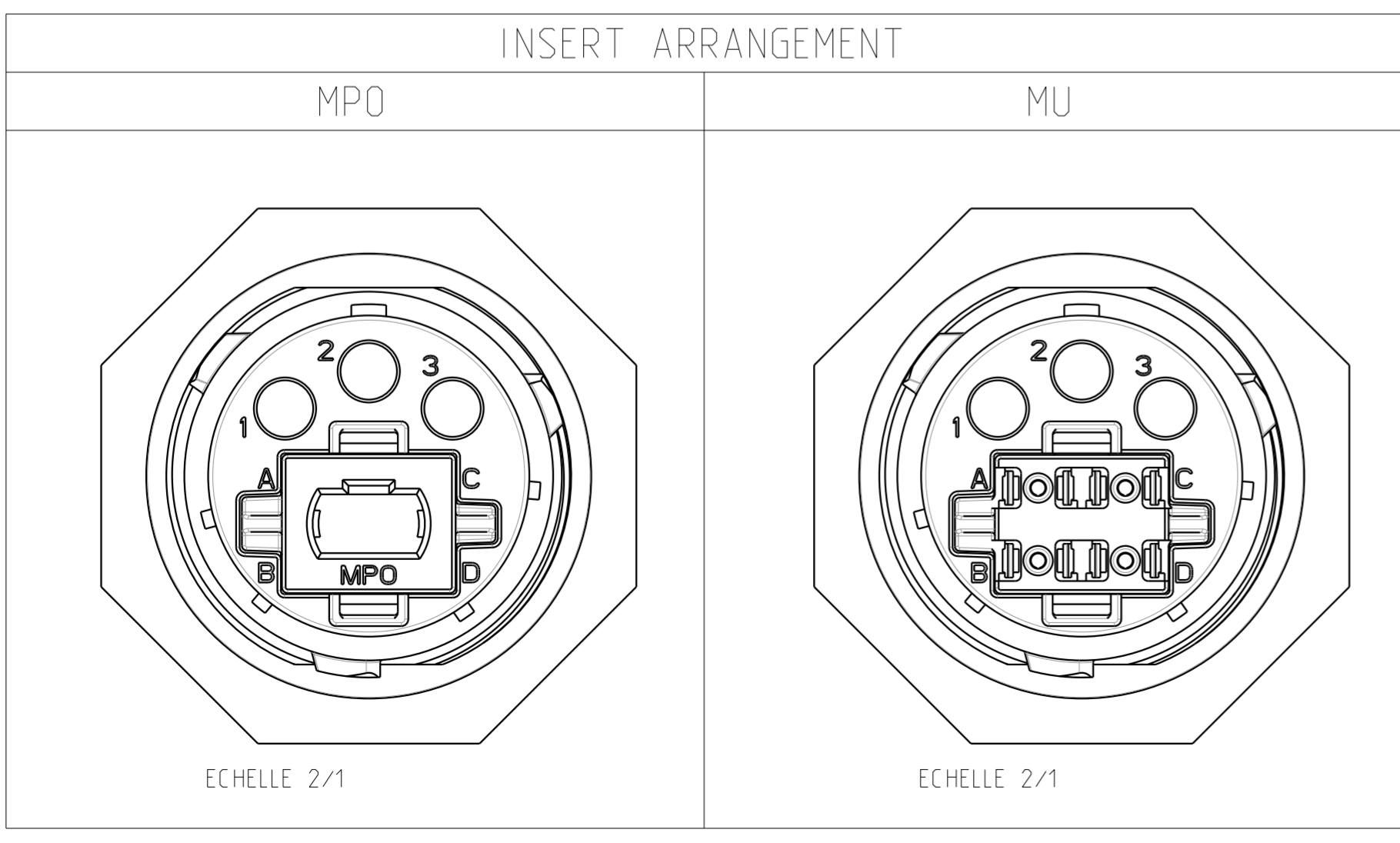
Lots type:
Only one material batch, but several Work Order accepted for a delivery

Traceability:
Part number piece + Revision piece + SOURIAU Order Number or Work-Order + Delivery date + Quantity + Supplier Batch Number must allow to find the material certificate the process used, the date of manufacture the quantity manufactured on this batch and the recordings of the quality results

Delivery conditions:
Delivery in bulk while guaranteeing characteristic dimensional and mechanic of straight backshell

Technical requirements:
--

1-Pm = Dimension for information only
2-N = Dimension from Industry Standard
3-M = Critical Dimension
4-(...)= Limits acceptable for part qualification



FOR INFORMATION	Country Jurisdiction & Control List
	FR NOT LISTED

P/N		UTS1JC20HYBxxNx		
A	30/09/15	Creation	--	
ISS	DATE	Latest modification - by:	FOUQUERAY	MOD N°
Designed by:		FOUQUERAY	Date: 05/08/15	Type of drawing: CUSTOMER
Checked by:		SEE DISTRIBUTION LIST		
Date:		SEE DISTRIBUTION LIST		
TITLE		Jam nut receptacle with backshell - size 20 HYBRID connector		
Scale	General angular	MATERIAL		
3/2	Tolerances: ± 1°	--		
	General Linear	General machining surface texture	Ra 1,6	Geometrical Tolerances
	Tolerances: ± 0.1			See NF EN ISO 1101
	SOURIAU		PROJECT	
	Route Nationale 23 72470 CHAMPAGNE Tel. (33)02.43.54.35.00		1C134411	
This document is the property of SOURIAU		It must not be reproduced or communicated without permission		
FORMAT	DRAWING REFERENCE			SHEET
A2	UTS1JC20HYBXXNX-C01			1 / 1