

A.1: Développement

Mass (g)	Area (mm <sup>2</sup> )	Volume (mm <sup>3</sup> )
30.6	18587	18429

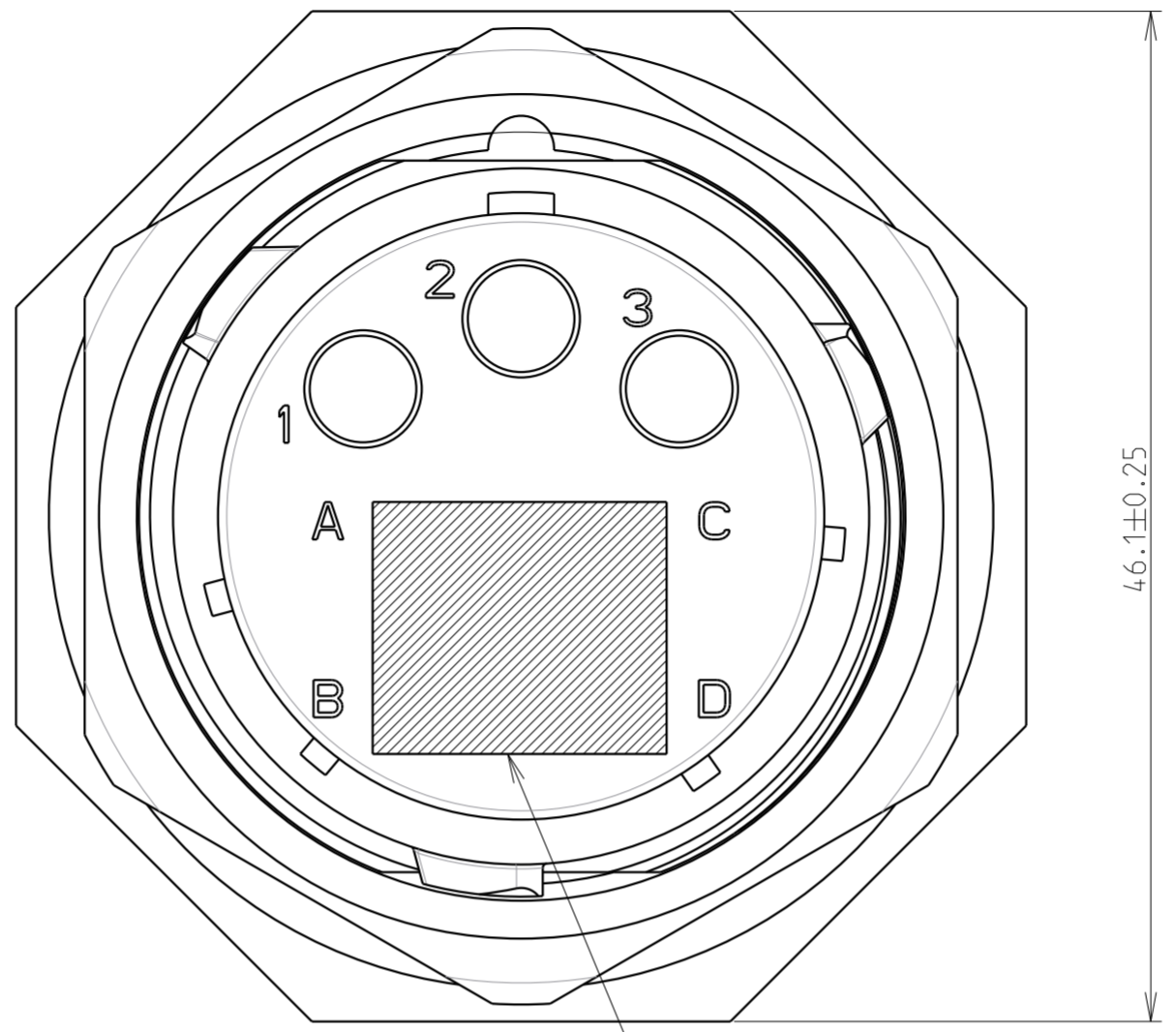
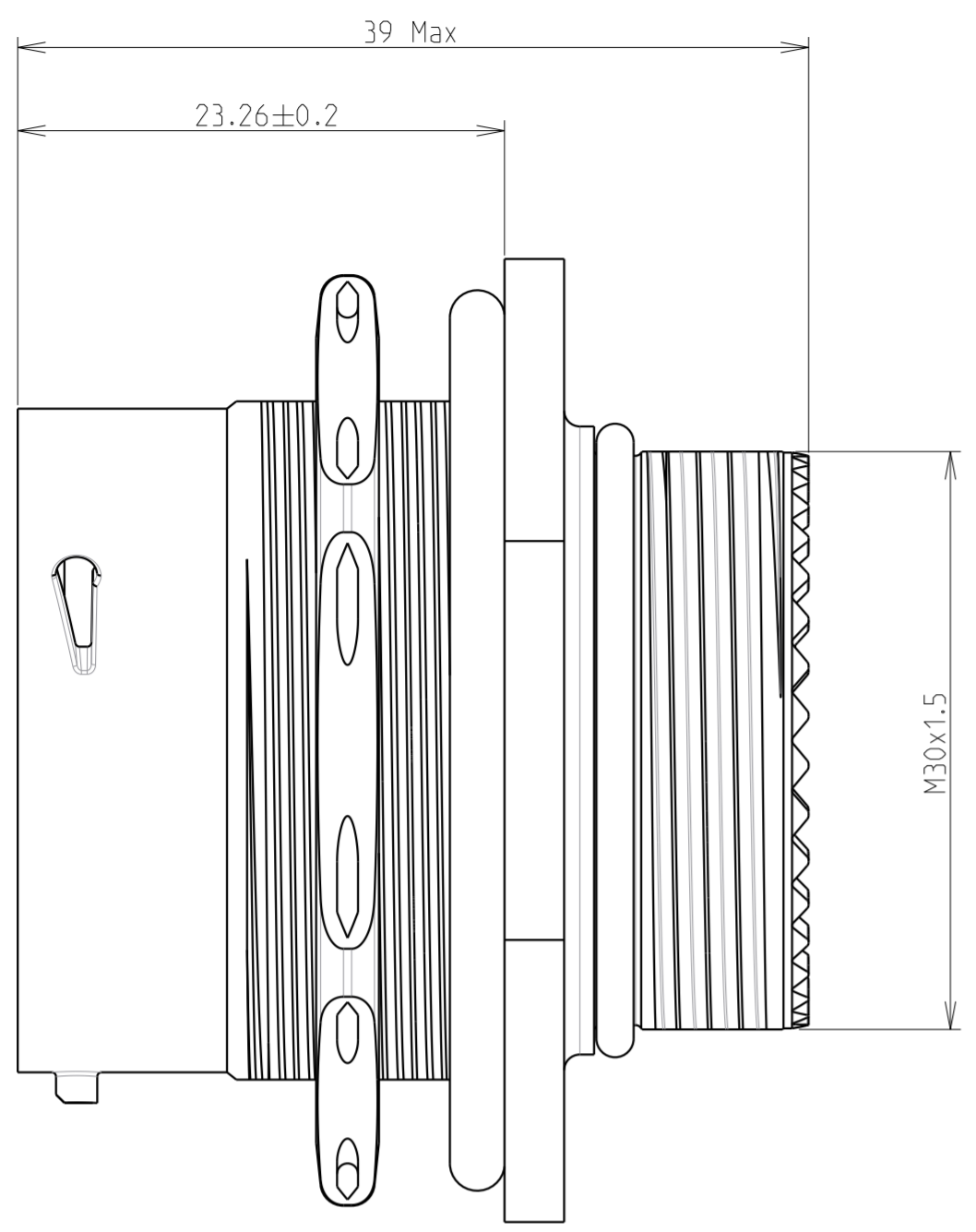
UTS 7 20 HYB -- N --

7 : Jan Nut  
 Size shell : 20 only  
 Hybrid connector  
 Insert Arrangement :  
 MP : optical contact MPO  
 MU : optical contact MU  
 Polarisation : N only  
 Packaging:  
 " " : x1  
 B : x100

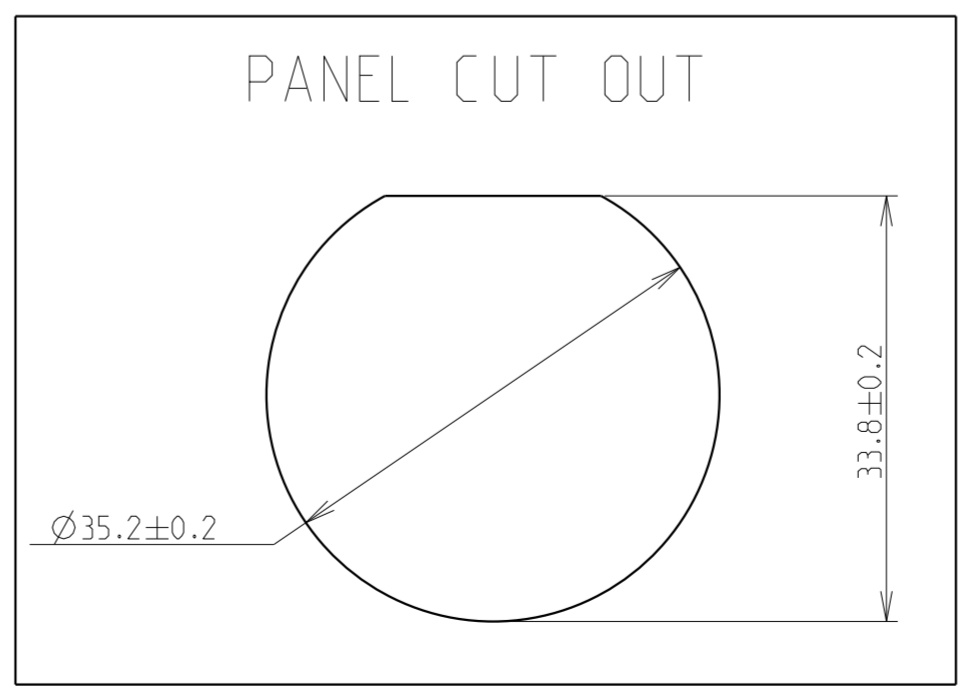
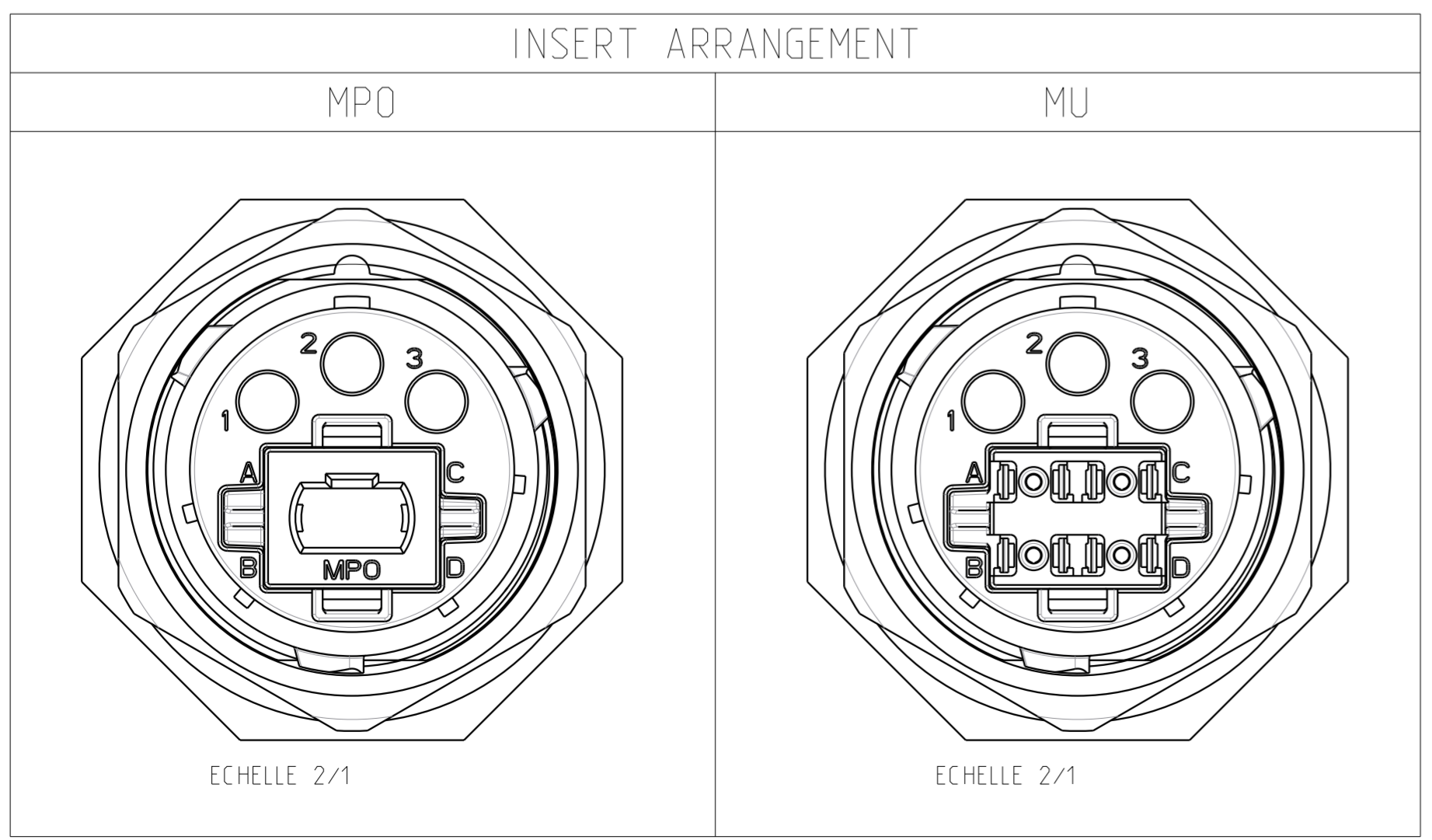
**QUALITY REQUIREMENTS:**  
 --  
**Supply requirements:**  
 --  
**Lots type:**  
 Only one material batch, but several Work Order accepted for a delivery  
**Traceability:**  
 Part number piece + Revision piece + SOURIAU Order Number or Work-Order + Delivery date + Quantity + Supplier Batch Number must allow to find the material certificate the process used, the date of manufacture the quantity manufactured on this batch and the recordings of the quality results  
**Delivery conditions:**  
 Delivery in bulk while guaranteeing characteristic dimensional and mechanic of straight backshell  
**Technical requirements:**  
 --  
 1-Pm = Dimension for information only  
 2-N = Dimension from Industry Standard  
 3-M = Critical Dimension  
 4-(...)= Limits acceptable for part qualification

FOR INFORMATION

Country	Jurisdiction & Control List
FR	NOT LISTED



See insert arrangement



P/N		UTS720HYBxxNx		
A	30/09/15	Creation	--	
ISS	DATE	Latest modification - by:	FOUQUERAY	MOD N°
Designed by:		FOUQUERAY	Date: 05/08/15	Type of drawing: CUSTOMER
Checked by:		SEE DISTRIBUTION LIST		
Date:		SEE DISTRIBUTION LIST		
TITLE		Jam nut receptacle - size 20 HYBRID connector		
Scale	General angular	MATERIAL		
3/1	Tolerances: ± 1°	--		
	General Linear	General machining	Ra 1,6	Geometrical Tolerances
	Tolerances: ± 0.1	surface texture	See NF EN ISO 1101	PROJECT
SOURIAU		This document is the property of SOURIAU		
Route Nationale 23		It must not be reproduced or communicated without permission		
72470 CHAMPAGNE				
Tel. (33)02.43.54.35.00				
FORMAT	DRAWING REFERENCE			SHEET
A2	UTS720HYBXXNX-C01			1 / 1