

A.1: Développement

Mass (g)	Area (mm ²)	Volume (mm ³)
30.6	18587	18429

UTS 7 20 HYB -- N -

7 : Jan Nut
 Size shell : 20 only
 Hybrid connector
 Insert Arrangement :
 MP : optical contact MPO
 MU : optical contact MU
 Polarisation : N only
 Packaging:
 " " : x1
 B : x100

QUALITY REQUIREMENTS:

Supply requirements:
 --

Lots type:
 Only one material batch, but several Work Order accepted for a delivery

Traceability:
 Part number piece + Revision piece + SOURIAU Order Number or Work-Order + Delivery date + Quantity + Supplier Batch Number must allow to find the material certificate the process used, the date of manufacture the quantity manufactured on this batch and the recordings of the quality results

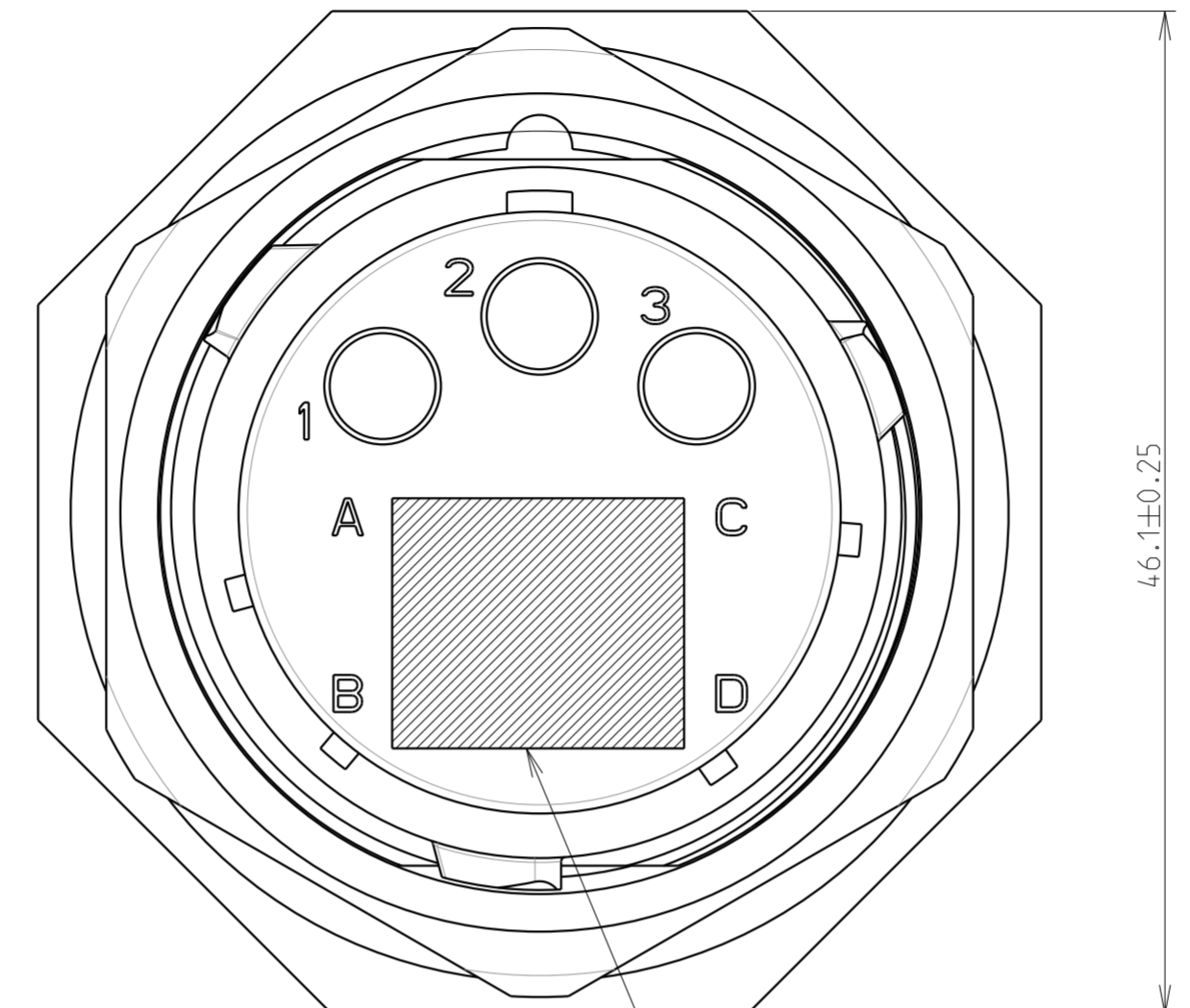
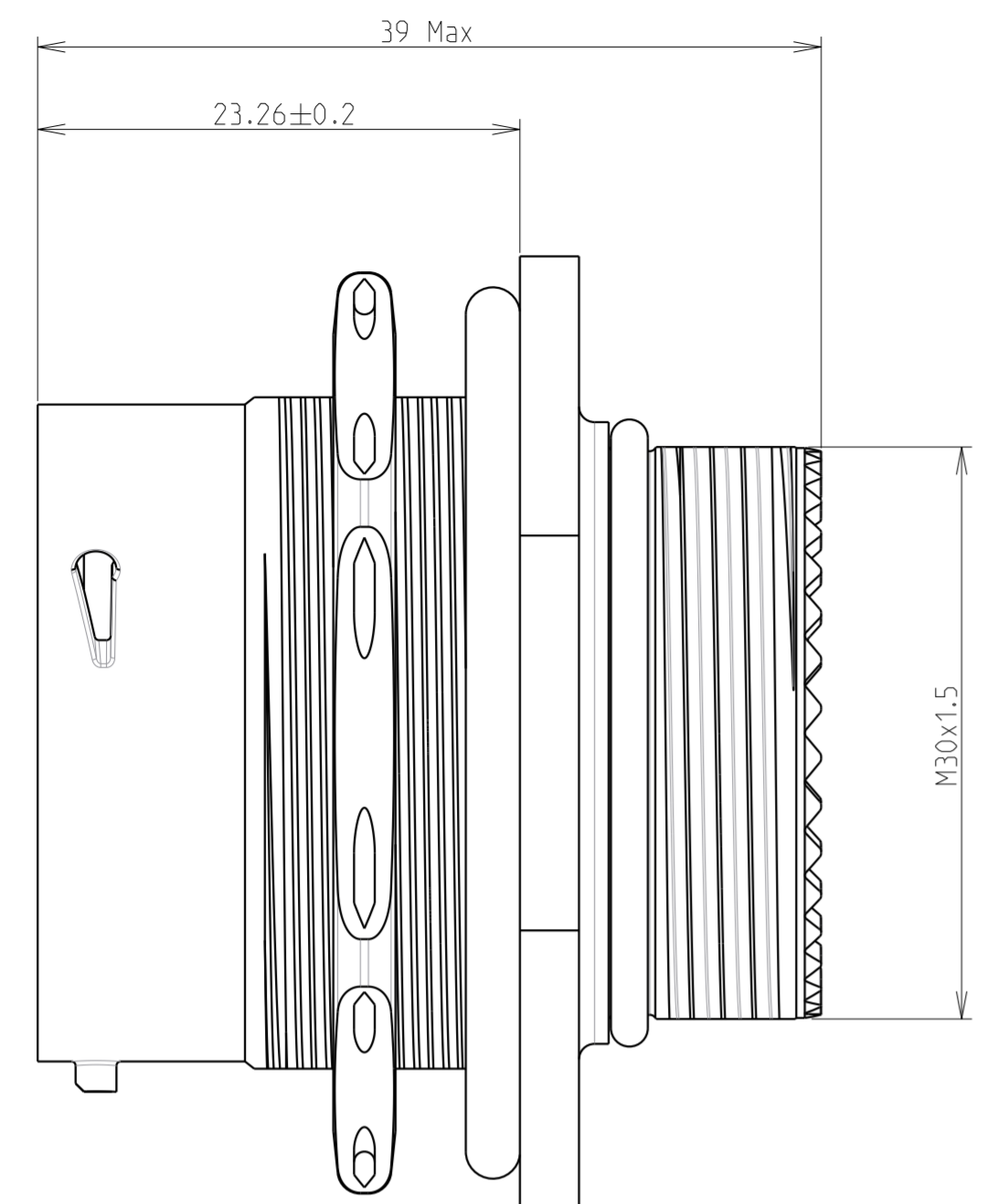
Delivery conditions:
 Delivery in bulk while guaranteeing characteristic dimensional and mechanic of straight backshell

Technical requirements:
 --

1-Pm = Dimension for information only
 2-N = Dimension from Industry Standard
 3-M = Critical Dimension
 4-(...)= Limits acceptable for part qualification

FOR INFORMATION

Country	Jurisdiction & Control List
FR	NOT LISTED

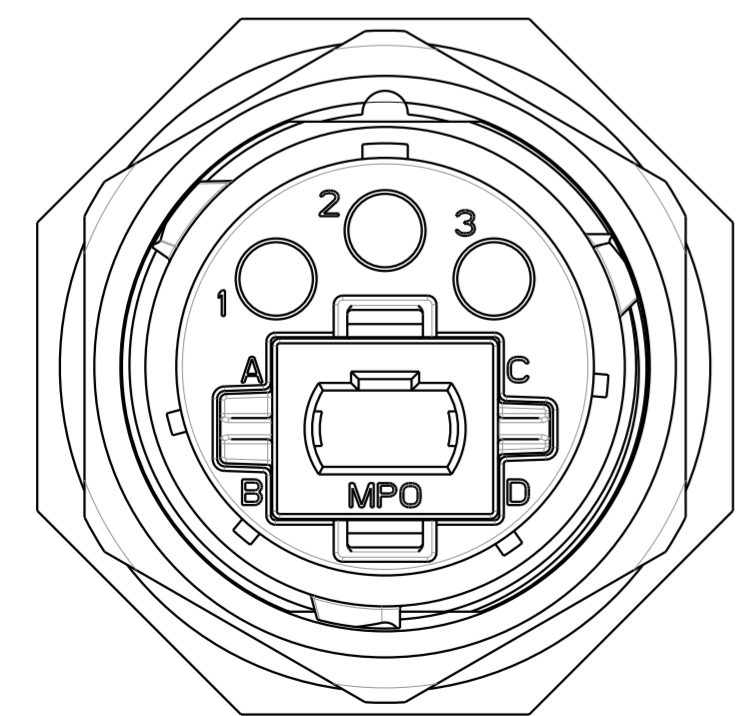


See insert arrangement

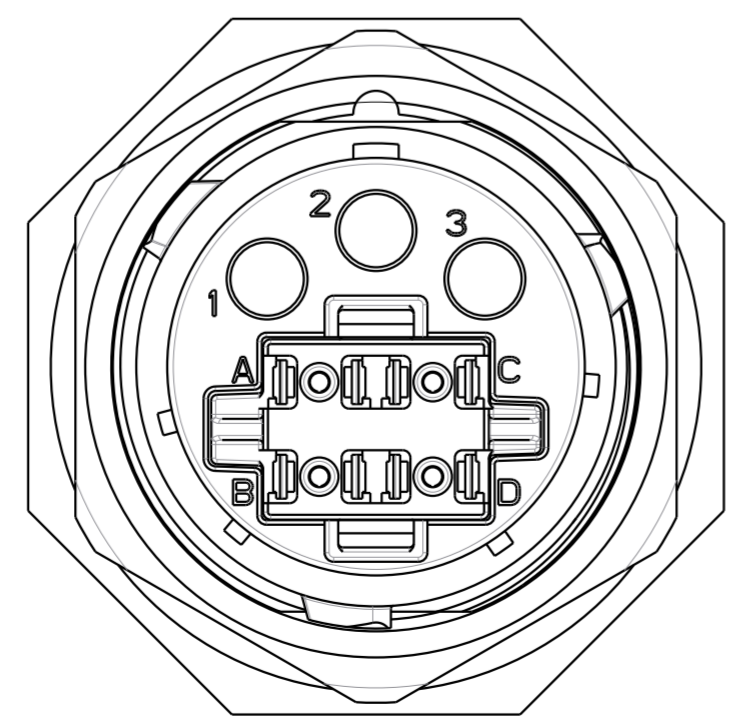
INSERT ARRANGEMENT

MPO

MU

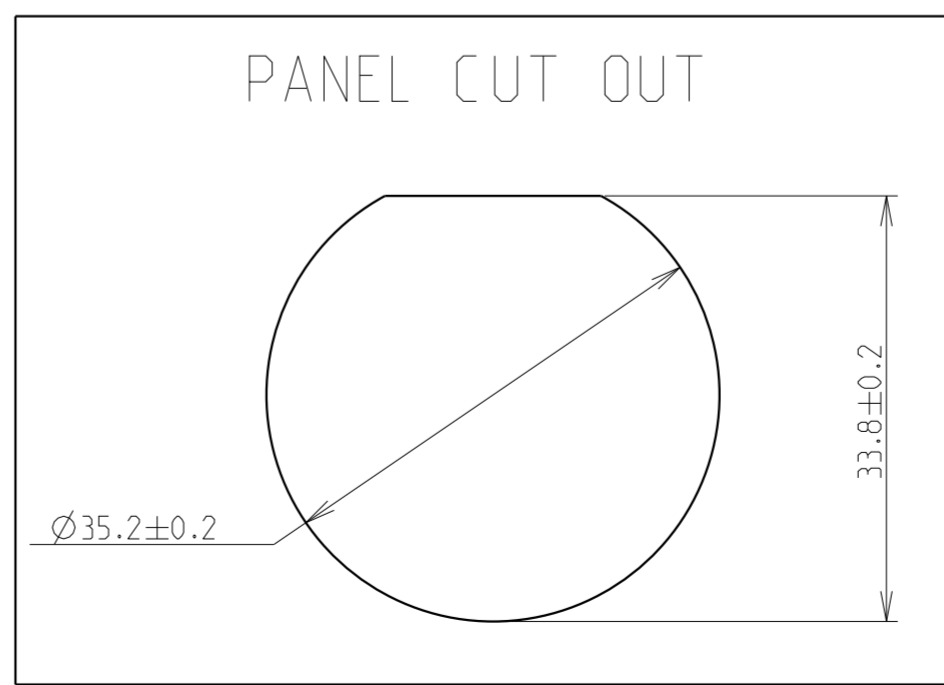


ECHELLE 2/1



ECHELLE 2/1

PANEL CUT OUT



P/N		UTS720HYBxxNx		
A	30/09/15	Creation	---	--
ISS	DATE	Latest modification - by:	FOUQUERAY	MOD N°
Designed by:		FOUQUERAY	Date: 05/08/15	Type of drawing: CUSTOMER
Checked by:		SEE DISTRIBUTION LIST	Date:	SEE DISTRIBUTION LIST
TITLE		Jam nut receptacle - size 20 HYBRID connector		
Scale	General angular	MATERIAL		
3/1	Tolerances: ± 1°	--		
	General Linear	General machining surface texture	Ra 1.6	Geometrical Tolerances See NF EN ISO 1101
	Tolerances: ± 0.1			PROJECT IC134411
SOURIAU		SOURIAU Route Nationale 23 72470 CHAMPAGNE Tel. (33)02.43.54.35.00		This document is the property of SOURIAU It must not be reproduced or communicated without permission
FORMAT	DRAWING REFERENCE			SHEET
A2	UTS720HYBXXNX-C01			1 / 1