



Outdoor weather station

Robot

Leakage detection

Road traffic management

Active steering system



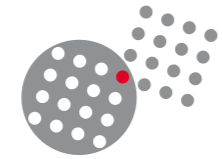
Click on a part number to download
2D drawings & 3D models or buy online

New power layout / 6+ground

The solution to power your device up to (16A 300V)
with the new 6 + ground Hi seal layout.

- Rapid and secure locking ✓ Bayonet coupling (1/3 turn)
- Waterproof ✓ IP68/IP69K
- Corrosion proof ✓ Plastic housing
- Suitable for outdoor use ✓ UV resistant
- PCB board & electronic protection ✓ Sealed unmated

www.souriau.com
www.souriau-industrial.com
contactindustry@souriau.com



SOURIAU
© 2011 - SOURIAU



SOURIAU

WINDLITS H7001EN © Copyright SOURIAU 2011 - All information in this document presents only general particulars and shall not form part of any contract. All rights reserved to SOURIAU for changes without prior notification or public announcement. Any duplication is prohibited, unless approved in writing.

UTS Series

147 - 14E7/14D7



Specifications

Click on a part number to download
 ↓ 2D drawings & 3D models ↓

| Contact type | Connector type | Backshell | Part number | |
|--|---|--|--------------------------------|---------------------------------|
| | | | Male insert | Female insert |
| Crimp contacts supply separately see page 91 | Square flange receptacle | Without (Fig.2) | UTS0147P | |
| | Free hanging receptacle | Cable gland and grommet (Fig.3) | UTS1GJC147P | |
| | Free hanging receptacle | Nut and grommet (Fig.4) | UTS1GN147P | |
| | Free hanging receptacle | Cable gland (Fig.3) | UTS1JC147P | UTS1JC147S |
| | Plug | Without (Fig.5) | UTS6147P | UTS6147S |
| | Plug | Cable gland and grommet (Fig.6) | UTS6GJC147S | |
| | Plug | Nut and grommet (Fig.7) | UTS6GN147S | |
| | Plug | Cable gland (Fig.6) | UTS6JC147P | UTS6JC147S |
| | Jam nut receptacle | Without (Fig.8) | UTS7147P | UTS7147S |
| | Jam nut receptacle | Cable gland and grommet (Fig.10) | UTS7GJC147P | |
| Jam nut receptacle | Nut and grommet (Fig.9) | UTS7GN147P | | |
| Hand solder electrical contacts loaded | Square flange receptacle | Without (Fig.2) | UTS7147PSCR | UTS7147S5CR |
| Hand solder electrical contacts loaded | Square flange receptacle | Cable gland (Fig.6) | UTS6GJC147P | UTS6GJC147S |
| | Jam nut receptacle | Without (Fig.8) | UTS7147PSCR | UTS7147S5SCR |
| PCB contacts loaded | Square flange receptacle | Without (Fig.1) | UTS014D7P | UTS014D7S |
| | Jam nut receptacle with stand off and hold down clips | Without (Fig.11) | UTS714D7P32 | UTS714D7S32 |
| | Jam nut receptacle with stand off and hold down clip | Without (Fig.11) | UTS714D7P | UTS714D7S |
| | Jam nut receptacle with stand off and hold down clip | With stand off and hold down clip (Fig.11) | UTS7147PSEK9 | UTS7147S5SEK9 |
| | Jam nut receptacle | Without (Fig.8) | UTS7147PSCR | UTS7147S5SCR |
| | Jam nut receptacle | Cable gland (Fig.6) | UTS6GJC147PSCR | UTS6GJC147S5SCR |
| Screw contacts loaded | Free hanging receptacle | Cable gland (Fig.3) | UTS1GJC147PSCR | UTS1GJC147S5SCR |
| | Plug | Cable gland (Fig.6) | UTS6GJC147PSCR | UTS6GJC147S5SCR |

Sealed unsealed

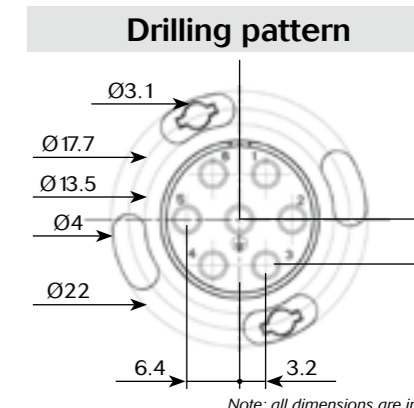
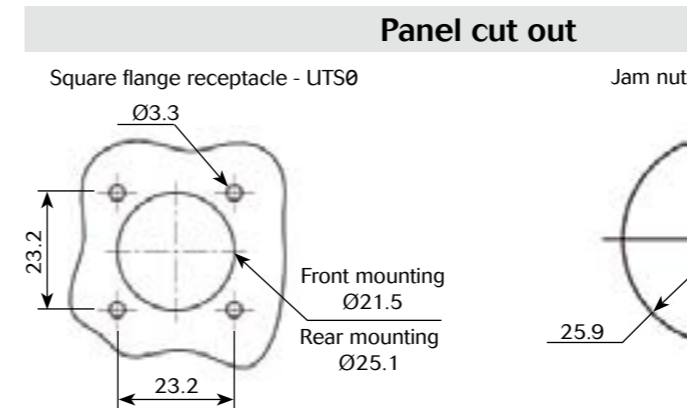
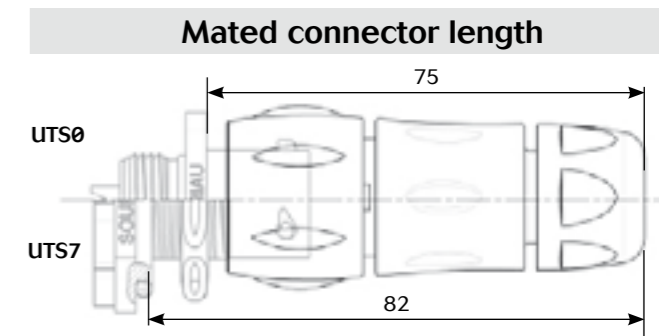
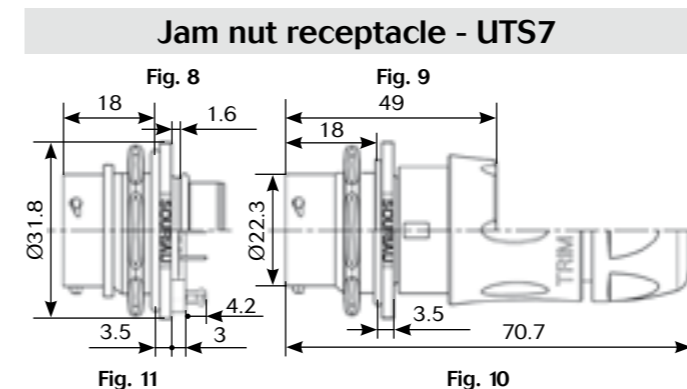
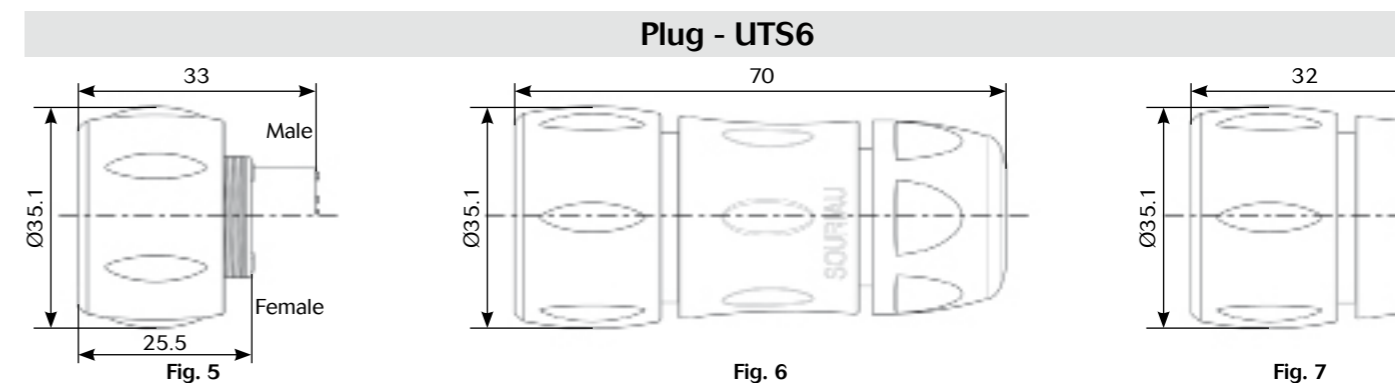
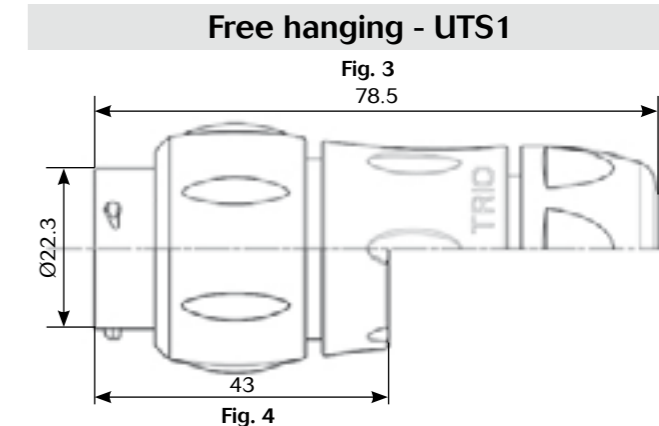
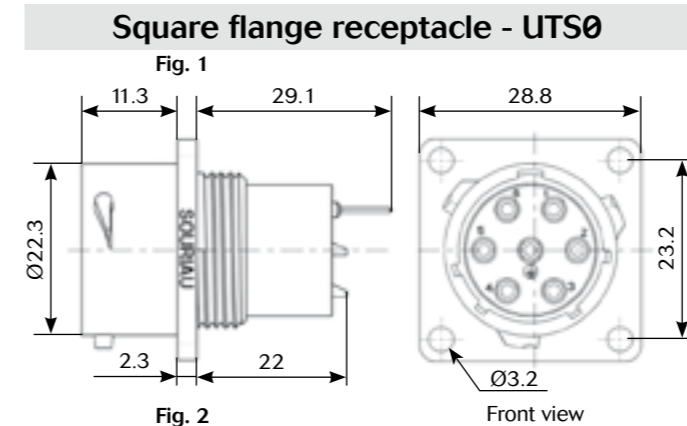
UTS Series

147 - 14E7/14D7



Dimensions

16A 300V
per IEC 61984



Note: all dimensions are in mm



Accessories

Jam nut sealing caps



Part number
UTS14DCG



Metal terminal
Part number
UTS14DCGR

Plug sealing cap



Part number
UTS614DCG

Square flange sealing cap



Metal terminal
Part number
UTS14DCGE

Plastic protective cap



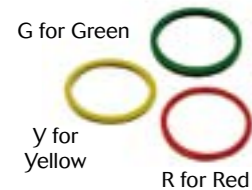
Part numbers
Receptacle cap | Plug cap
85005588A | 85005597

Gasket



Part number / neoprene
UTFD14B

Color coding rings



| Part numbers | |
|--------------|------------|
| Receptacles | Plugs |
| UTS714CCRR | UTS614CCRR |
| UTS714CCRY | UTS614CCRY |
| UTS714CCRG | UTS614CCRG |

Handle



Part number
Shandles

Tool kit



Part number
Toolkit

Crimp tooling



| Contacts | Contact size | Part number of head | |
|--------------------------------|-------------------------------------|---------------------|---------|
| RM/RC 28M1K ⁽¹⁾ | Standard contacts #16 Ø 1.6mm | S16RCM20 | |
| RM/RC 24M9K ⁽¹⁾ | | S16RCM20 | |
| RM/RC 20M13K ⁽¹⁾ | | S16RCM20 | |
| RM/RC 20M12K ⁽¹⁾ | | S16RCM20 | |
| RM/RC 16M23K ⁽¹⁾ | | S16RCM16 | |
| RM/RC 14M50K ⁽¹⁾ | | S16RCM1450 | |
| RM/RC 14M30K ⁽¹⁾ | | S16RCM14 | |
| SM/SC 24ML1TK6 ⁽¹⁾ | | S16SCM20 | |
| SM/SC 20ML1TK6 ⁽¹⁾ | | S16SCM20 | |
| SM/SC 16ML1TK6 ⁽¹⁾ | | S16SCML1 | |
| SM/SC 14ML1TK6 ⁽¹⁾ | | S16SCML1 | |
| SM/SC 16ML11TK6 ⁽¹⁾ | | S16SCML11 | |
| RMDXK10D28K | | Coaxial contacts | M10S-1J |
| RCDXK1D28K | | | M10S-1J |
| RM/RC DX60xxD28K | M10S-1J | | |
| RM/RC DXK10D28 + york090 | M10S-1J | | |
| RM/RC DX60xxD28 | M10S-1J | | |

(1): example of plating, for other plating see UTS catalog page 143



Contacts

16A 300V
per IEC 61984

| #16 | Contact type | AWG | Part number | | Max wire Ø | Max insulator Ø | |
|-------------------------|---------------------------------------|-------------------------|------------------------------|------------------------------|----------------------------|-----------------|---|
| | | | Male | Female | | | |
| Crimp | Machined | 30-28 | RM28M1K ⁽¹⁾ | RC28M1K ⁽¹⁾ | 0.55 | 1.1 | |
| | | 26-24 | RM24M9K ⁽¹⁾ | RC24M9K ⁽¹⁾ | 0.8 | 1.6 | |
| | | 22-20 | RM20M13K ⁽¹⁾ | RC20M13K ⁽¹⁾ | 1.18 | 1.8 | |
| | | 22-20 | RM20M12K ⁽¹⁾ | RC20M12K ⁽¹⁾ | 1.18 | 2.2 | |
| | | 20-16 | RM16M23K ⁽¹⁾ | RC16M23K ⁽¹⁾ | 1.8 | 3.2 | |
| | | 16-14 | RM14M50K ⁽¹⁾ | RC14M50K ⁽¹⁾ | 2.05 | 3.2 | |
| | | 16-14 | RM14M30K ⁽¹⁾ | RC14M30K ⁽¹⁾ | 2.28 | 3.2 | |
| | stamped & formed reeled contacts | 26-24 | SM24M1TK6 ⁽¹⁾⁽²⁾ | SC24M1TK6 ⁽¹⁾⁽²⁾ | 0.89-1.28 | - | |
| | | 22-20 | SM20M1TK6 ⁽¹⁾⁽²⁾ | SC20M1TK6 ⁽¹⁾⁽²⁾ | 1.17-2.08 | - | |
| | | 18-16 | SM16M1TK6 ⁽¹⁾⁽²⁾ | SC16M1TK6 ⁽¹⁾⁽²⁾ | 3.0 | - | |
| | | 18-16 | SM16M11TK6 ⁽¹⁾⁽²⁾ | SC16M11TK6 ⁽¹⁾⁽²⁾ | 2.0-3.0 | - | |
| | | 14 | SM14M1TK6 ⁽¹⁾⁽²⁾ | SC14M1TK6 ⁽¹⁾⁽²⁾ | 3.2 | - | |
| | PCB | Machined ⁽³⁾ | - | RM20M12E8K ⁽¹⁾ | RC20M12E84K ⁽¹⁾ | - | - |
| | Coaxial | cable Multipiece | - | RMDXK10D28 | RCDXK1D28 | - | - |
| Cable Monocrimp | | - | RMDX60xxD28 | RCDX60xxD28 | - | - | |
| Twisted pair Multipiece | | - | RMDXK10D28 + york090 | RCDXK1D28 + york090 | - | - | |
| Twisted pair Monocrimp | | - | RMDX60xxD28 | RCDX60xxD28 | - | - | |
| Fiber optic | POF contacts Plastic optical fibre | - | RMPDF1000 | RCPOF1000B | - | - | |

(1): Example of plating, for other plating see UTS catalog page 147
(2): Loose piece contact available if putting L. Example: SM20ML1-TK6
(3): For dimensions see UTS catalog page 152

Electrical characteristics

UL
10A 500V UL94 V-0

CSA
7A 500V UL94 V-0

IEC
16A 300V 4kV 3
Temperature elevation: 50°C

UTS 147 derating curves

