

Amphenol

Connector Accessories

AC ACC11 1211



Amphenol

Introduction

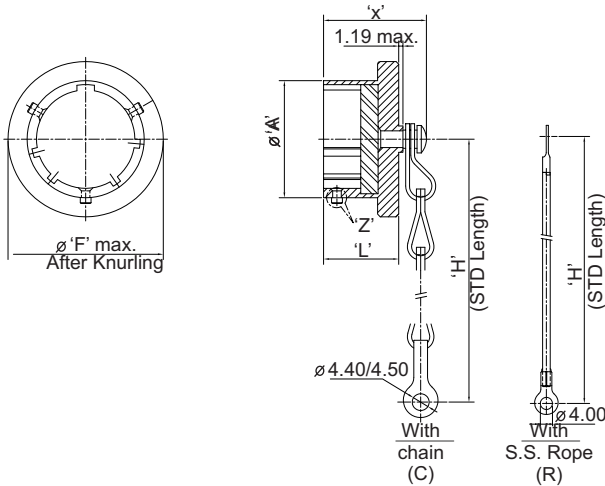
Amphenol India is a leading Designer, Manufacturer and Marketer of Interconnection solutions since 1971. Amphenol is the first Company in India who started manufacturing high performance connectors. These expertise and capabilities enables us to turn your interconnection problems to solutions.

Amphenol Protective caps are developed for environmental protection needs of Circular connectors in Threaded & Bayonet versions. These are designed to meet the requirements of military standards.

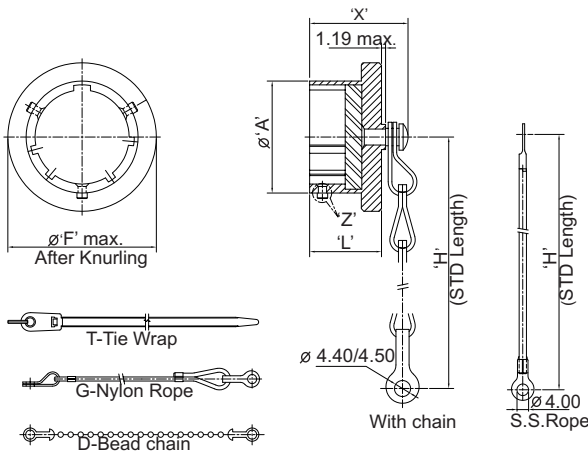
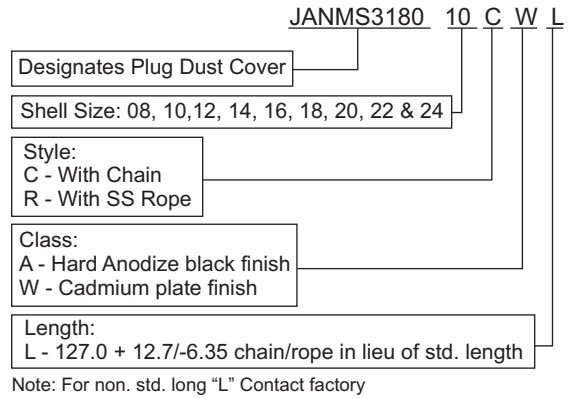
We also offer dummy storage receptacle to secure your cable harness when not in functional use.

This catalogue describes the standard and special purpose designs used in Military and Industrial Circular connectors.

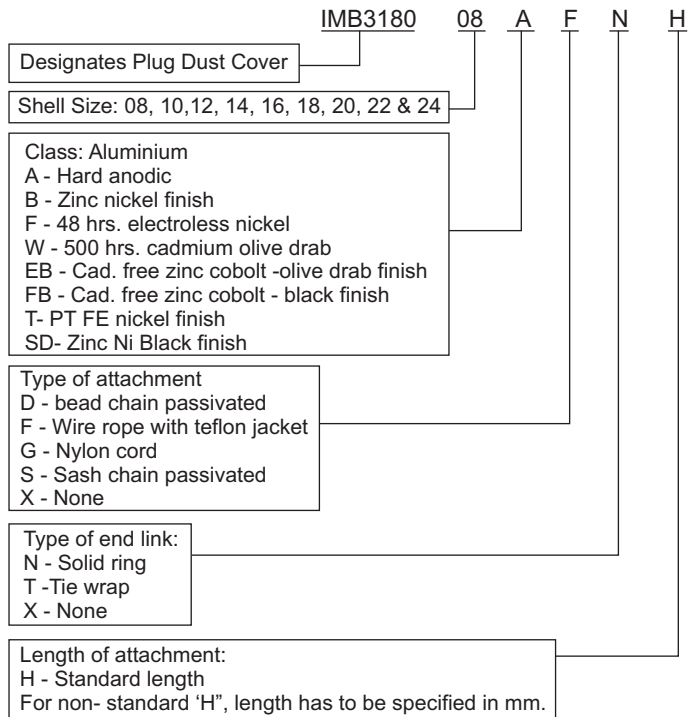
	Page
MIL-C-26482 (MS3180 & MS181) Caps -----	1-2
MIL-DTL-38999 Series I (MS27501 & MS27502) Caps -----	3-4
MIL-DTL-38999 Series II (MS27510 & MS27511) Caps -----	5-6
MIL-DTL-38999 Series III (D38999/32 & D38999/33) Caps -----	7-8
MIL-DTL-5015 Reverse Bayonet Caps (97B-25042 & 97B-25043) Caps -----	9
MIL-DTL-5015 Threaded Caps (MS25042 & MS25043) Caps -----	10
MIL-C-10544 Audio Connector Caps for 10 Pin Caps -----	11
MIL-C-55116 Audio Connector Caps for 5 & 6 Pin Caps -----	12
MIL-DTL-22992 Caps -----	13
MIL-C-26482 & MIL-DTL-5015 Dummy Receptacle -----	14-16
MIL-DTL-38999 Series III Dummy Receptacle -----	16
Insertion & Removal Tool -----	17
Backshell for MIL-DTL-24308 -----	18
Square Flange Gaskets for (MIL-C-26482 & MIL-DTL-5015) -----	19



Ordering Information (MIL Part Number)



Ordering Information (Proprietary Part Number)

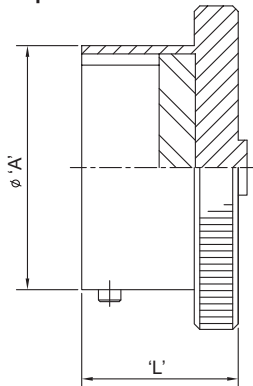


All Dimensions are in mm

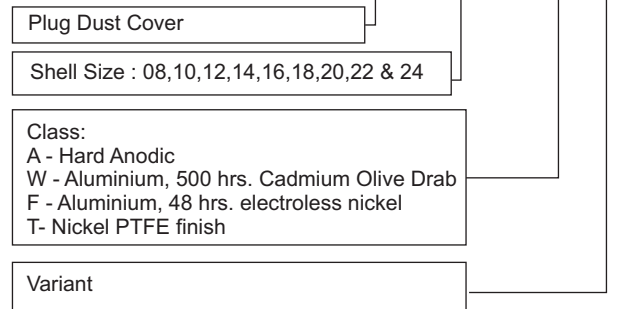
Shell Size	ø A Ref.	ø F Max. Overall.	H +12.70/-6.35	L Max. Length	X Max. Overall	ø F +0.00/-0.08 For Heavy Duty
08	12.01	18.26	76.20	14.27	19.84	22.10
10	14.99	21.44				24.86
12	19.05	25.40				29.24
14	22.22	28.58				32.41
16	25.40	31.75	101.60	15.88	21.44	35.58
18	28.58	34.92				38.22
20	31.75	38.10				41.94
22	34.92	41.28				45.11
24	38.10	44.45		16.71	22.22	48.18

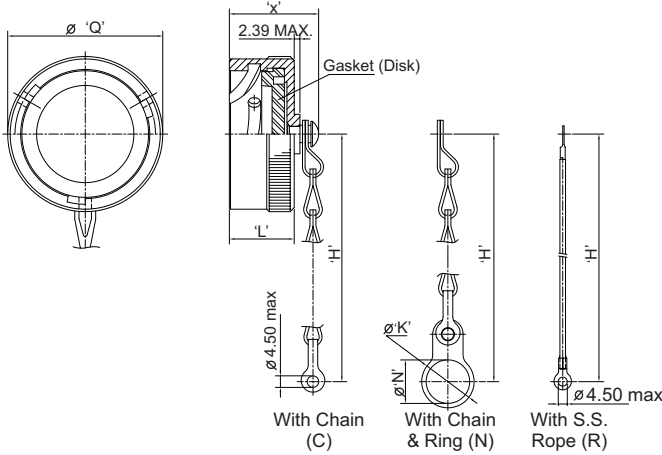
All Dimensions for reference only

Cap without attachment



Ordering information IMB3180 -08 - A - V1





Ordering Information (MIL Part Number)

JANMS3181 10 C W L

Designates Receptacle Dust Cover

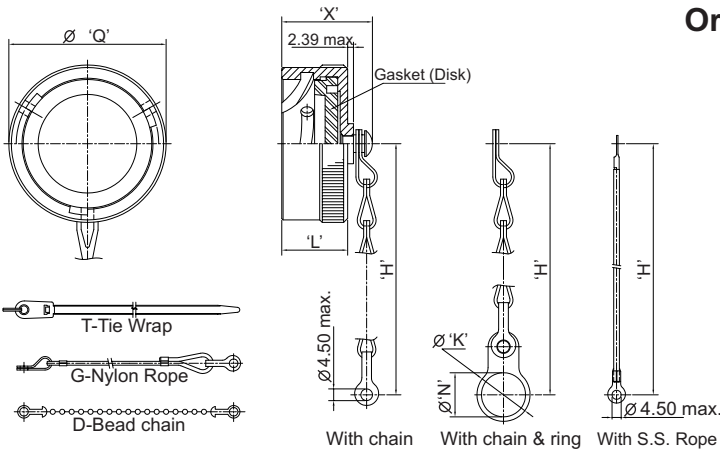
Shell Size: 08, 10, 12, 14, 16, 18, 20, 22 & 24

Style:
 C - With Chain
 N - With Chain & Ring.
 R - With SS Rope

Class:
 A - Hard Anodize black finish
 W - Cadmium plate finish

Length:
 L - 127.0 + 12.7/-6.35 chain/rope in lieu of std. length
 Leave blank for std.length

Note: For non. std. long "L" Contact factory



Ordering Information (Proprietary Part Number)

IMB3181 08 A F N H

Designates Receptacle Duct Cover

Shell Size: 08, 10, 12, 14, 16, 18, 20, 22 & 24

Class: Aluminium
 A - Hard anodic
 B - Zinc nickel finish
 F - 48 hrs. electroless nickel
 W - 500 hrs. cadmium olive drab
 EB - Cad. free zinc cobolt -olive drab finish
 FB - Cad. free zinc cobolt - black finish
 T- PT FE nickel finish
 SD- Zinc Ni Black finish

Type of attachment
 D -Bead chain passivated
 F - Wire rope with teflon jacket
 G - Nylon cord
 S - Sash chain passivated
 X - None

Type of end link:
 N - Solid ring
 T -Tie wrap
 X - None

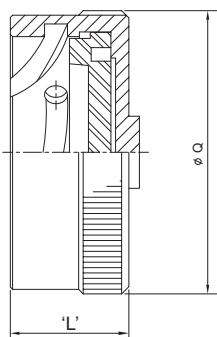
Length of attachment:
 H - Standard length
 For non- standard 'H', length has to be specified in mm.

All Dimensions are in mm

Shell Size	H +12.70/-6.35	Ø K MAX.	L Max.	Ø N MIN	Ø Q MIN	X Max.
08	20.62	14.68	18.64			
10	76.20	25.40		17.86	21.82	
12		30.18	14.27	22.63	25.40	21.44
14		36.67		25.81	28.58	
16	88.90	39.67		28.98	31.75	
18		42.88		32.16	34.92	
20		46.02		35.33	38.10	
22	101.60	49.23		38.51	41.28	
24		52.37	15.29	41.68	44.45	22.22

All Dimensions for reference only

Cap without attachment



Ordering information IMB3181 -08 - A - V1

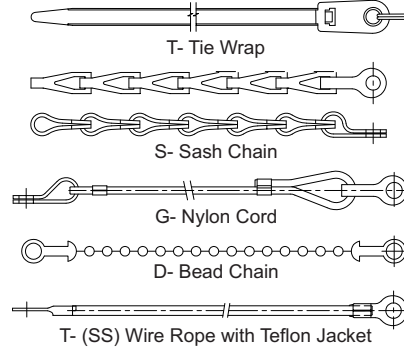
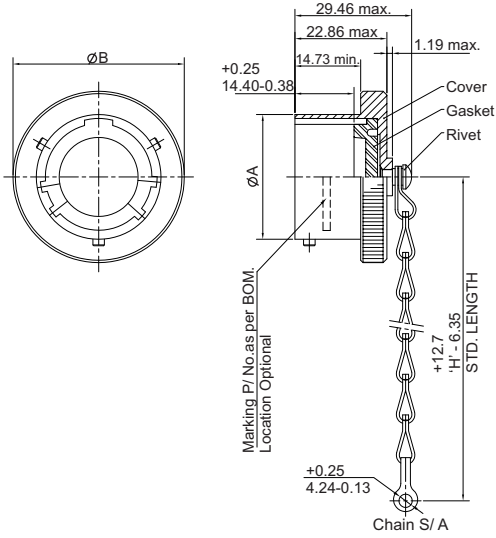
Designates: Receptacle Dust Cover

Shell Size : 08, 10, 12, 14, 16, 18, 20, 22 & 24

Class:
 A - Hard Anodic
 W - Aluminium, 500 hrs. Cadmium Olive Drab
 F - Aluminium, 48 hrs. electroless nickel
 T- Nickel PTFE finish

Variant

STYLE 'C'

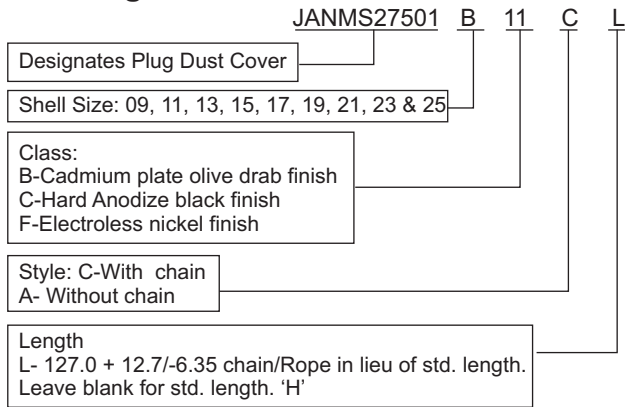


All Dimensions are in mm

Shell Size	ϕ 'A' +0.02 -0.13	ϕ 'B' max	H +12.70 -6.35
09	14.53	18.29	76.20
11	17.78	21.59	
13	21.59	25.40	88.90
15	24.77	28.70	
17	27.94	31.75	
19	30.66	35.05	
21	33.83	38.10	101.60
23	37.01	41.40	
25	40.18	44.45	

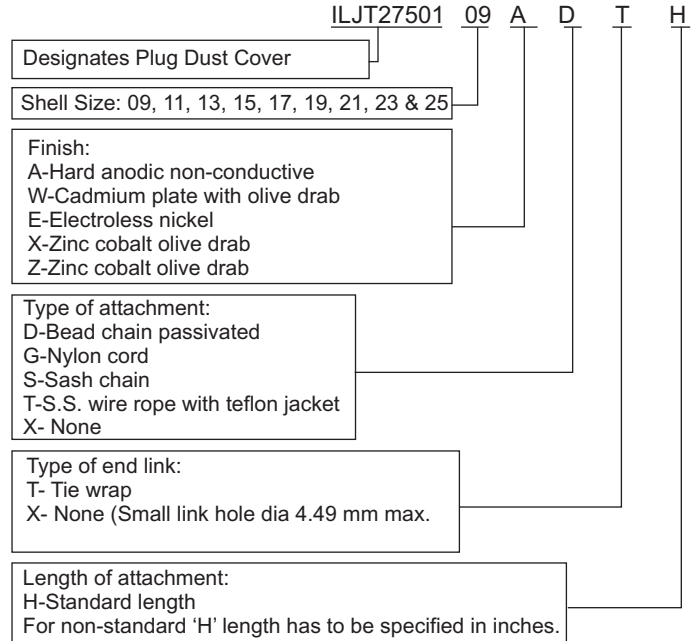
All Dimensions for reference only

Ordering Information

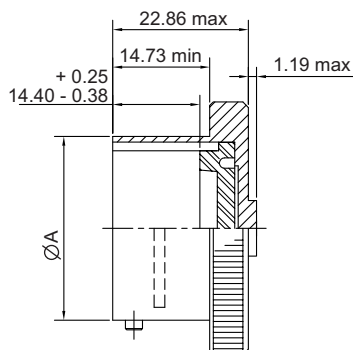


Note: For non-standard long 'L' contact factory.

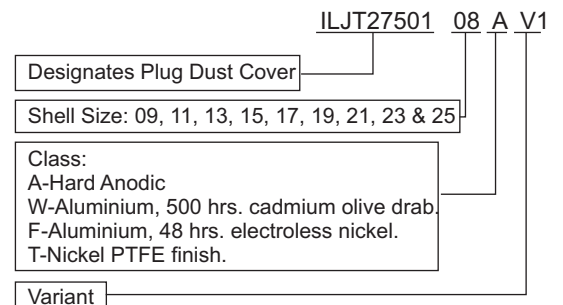
Ordering Information (Proprietary)

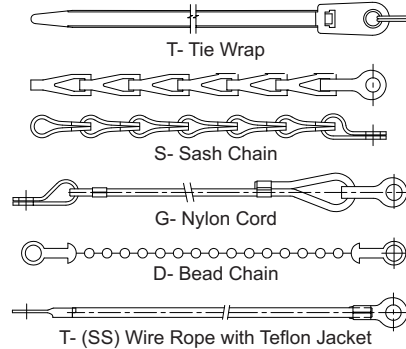
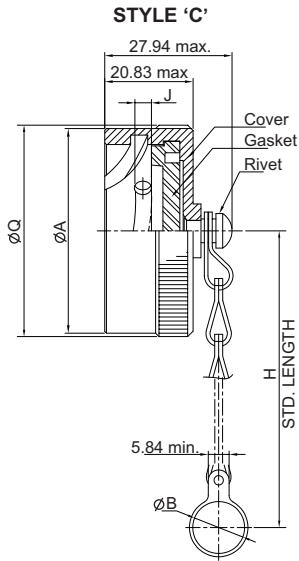


Cap without attachment



Ordering Information



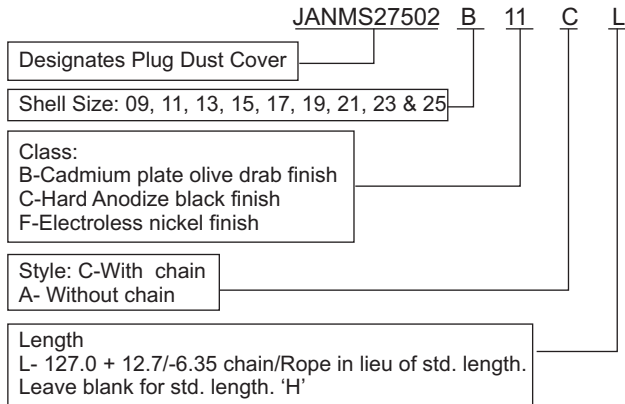


All Dimensions are in mm

Shell Size	Ø 'A' max.	Ø'B' min	H +12.70 -6.35	J ±0.38	Ø'B' max
09	19.81	17.78	76.20	2.67	21.84
11	22.99	21.34			24.89
13	26.95	25.65			29.46
15	30.12	28.96	88.90		32.51
17	33.05	32.00			35.81
19	36.12	35.31	101.60		38.61
21	39.22	38.35		41.91	
23	42.34	41.66		44.96	
25	45.54	44.70		3.51	48.01

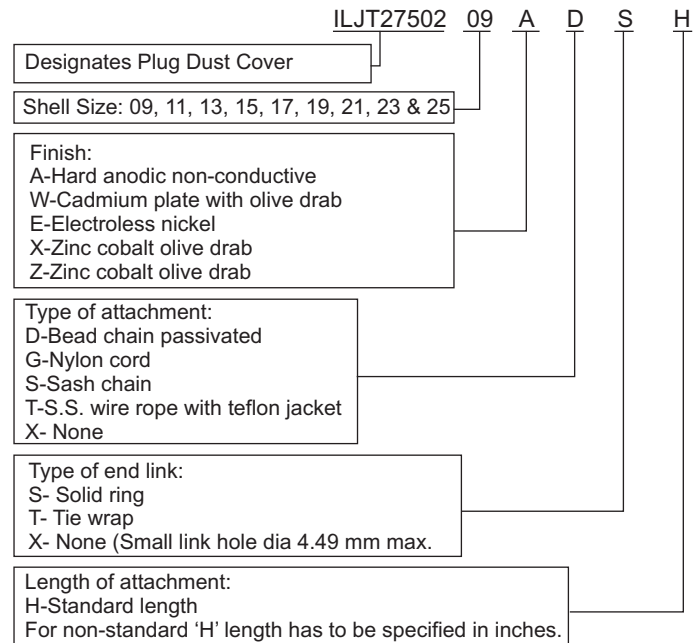
All Dimensions for reference only

Ordering Information (MIL Part Number)

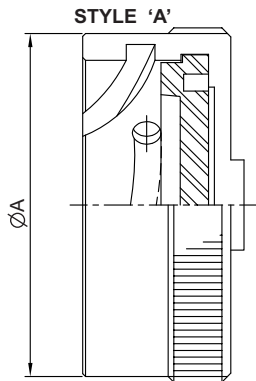


Note: For non-standard long 'L' contact factory.

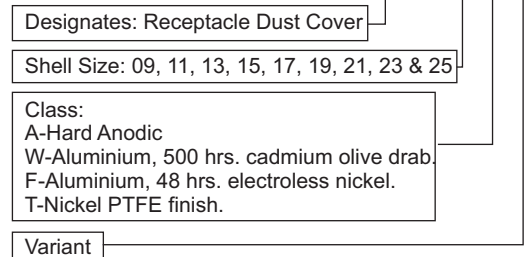
Ordering Information (Proprietary Part Number)

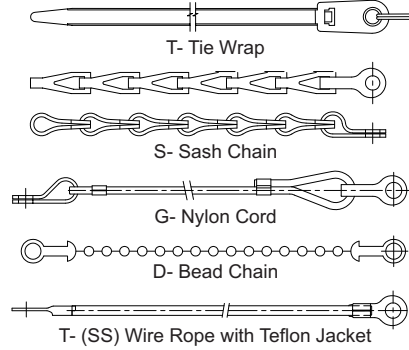
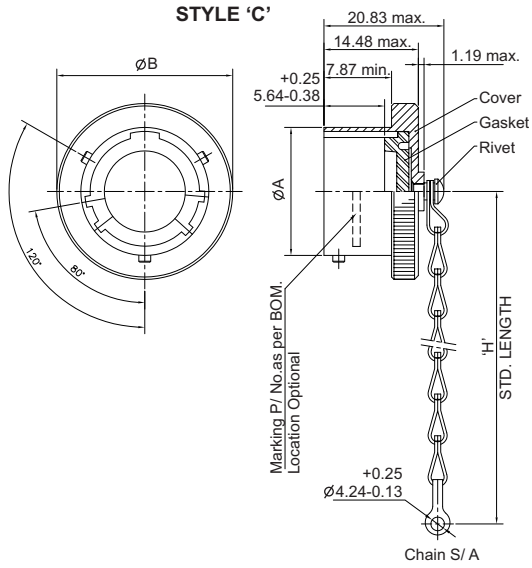


Cap without attachment



Ordering Information ILJT27502 09 A V1



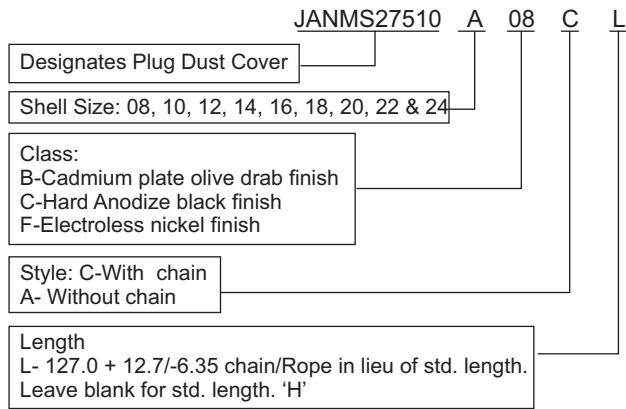


All Dimensions are in mm

Shell Size	Ø 'A' +0.02 -0.13	Ø'B' max OVERALL	H +12.70 -6.35
08	12.01	18.29	76.20
10	14.99	21.59	
12	19.05	25.40	88.90
14	22.22	28.70	
16	25.40	31.75	
18	28.58	35.05	
20	31.75	38.10	101.60
22	34.92	41.40	
24	38.10	44.45	

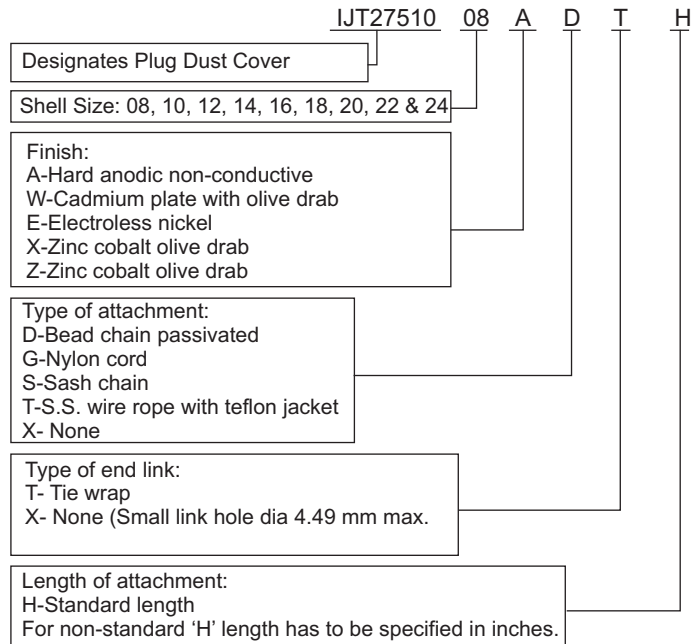
All Dimensions for reference only

Ordering Information (MIL Part Number)

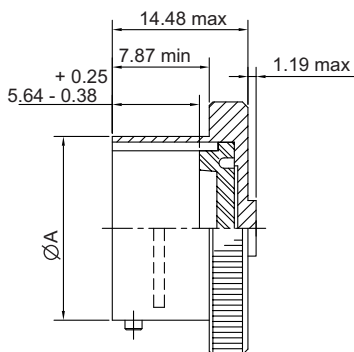


Note: For non-standard long 'L' contact factory.

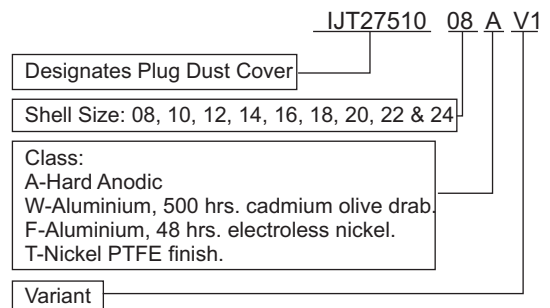
Ordering Information (Proprietary Part Number)

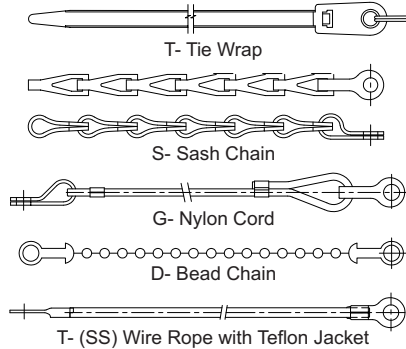
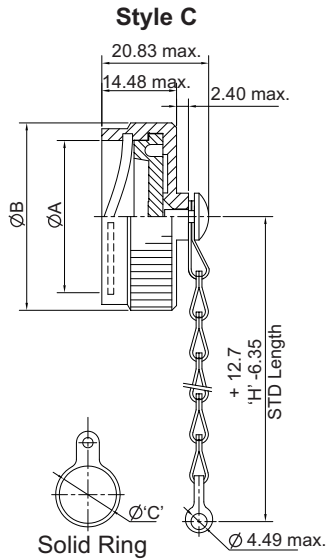


Cap without attachment



Ordering Information



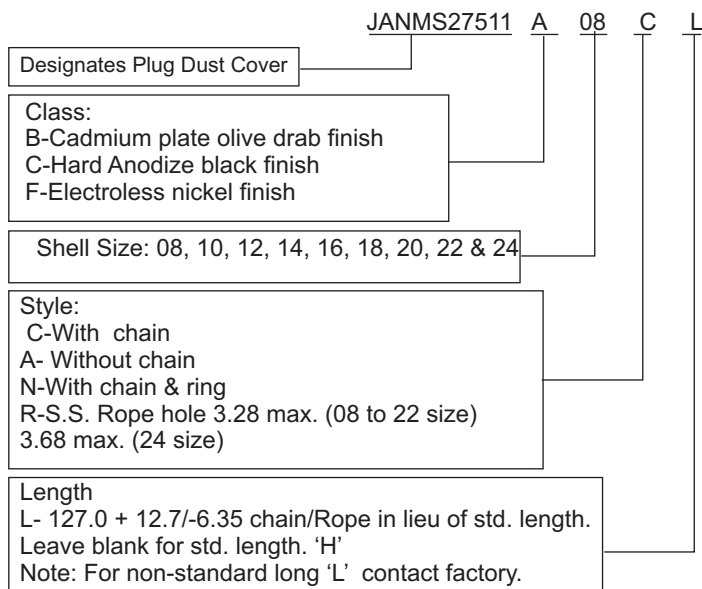


All Dimensions are in mm

Shell Size	Ø 'A' max.	Ø 'B' min	'C' max	H max.
08	16.00	19.05	22.61	76.20
10	19.23	21.82	25.65	
12	23.77	26.19	28.96	
14	27.28	29.36	32.0	88.90
16	29.77	32.54	35.31	
18	33.12	35.71	38.35	
20	36.45	38.89	41.66	101.60
22	39.62	41.68	44.70	
24	42.88	44.86	48.0	

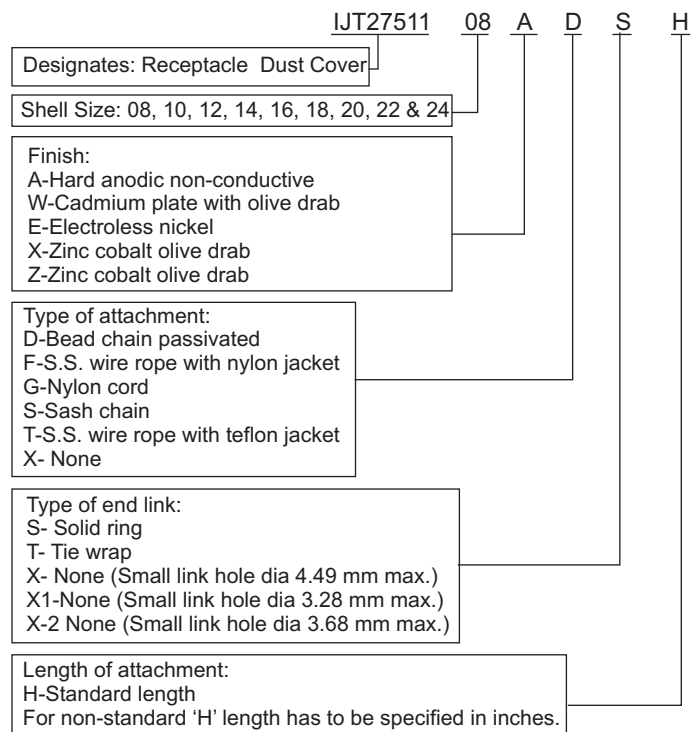
All Dimensions for reference only

Ordering Information (MIL Part Number)

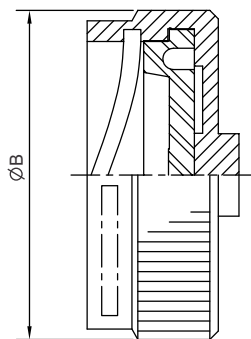


Note: For non-standard long 'L' contact factory.

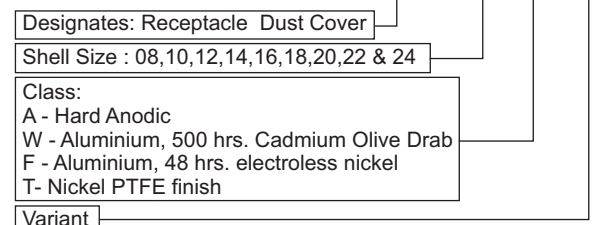
Ordering Information (Proprietary Part Number)

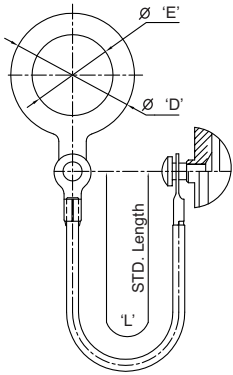


Cap without attachment

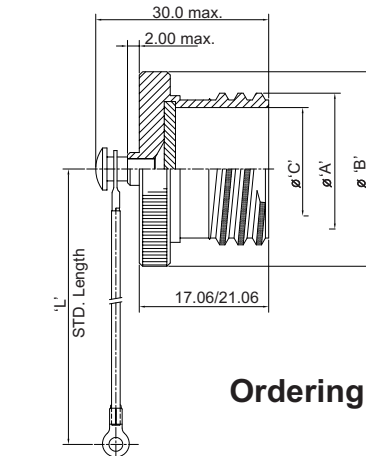


Ordering information IJT27511 - 08 - A - V1





(Alternate Type For Jam Nut Type Only)
S.S. Rope with Ring
Teflon Coating (N)



S.S. Rope
With Teflon Coating (R)

Ordering Information (Proprietary Part Number)

ITV32 09 A F N H

Designates Plug Dust Cover

Shell Size: 09, 11, 13, 15, 17, 19, 21, 23, & 25

- Class**
Aluminium
 A - Hard seal nickel finish
 B - Zinc nickel finish cadmium olive drab
 F - 48 hrs. electroless nickel
 T - PTFE Nickel Plating
 W - 500 Hrs. cadmium olive drab
 EB - Cad. free zinc cobalt -olive drab finish
 FB - Cad. free zinc cobalt - black finish
 T- PT FE nickel finish
 SD- Zinc Ni Black finish
Composite
 J - Composite cadmium olive drab
 M - Composite electroless nickel
 NB - Nickel Aluminum Bronze
 CD - S. Steel Passivated

- Type of attachment**
 D - Bead chain passivated
 F - Wire rope with teflon jacket
 G - Nylon cord
 S - Sash chain passivated
 X - None

- Type of end link**
 N - Solid ring
 T - Tie wrap
 X - None

Length of attachment
 H - Standard length
 For non-standard 'H' length has to be specified in mm.

All Dimensions are in mm

Shell Size	'A' Thread -2A -0.1P -0.3L-TS	ØB Max	'C' +0.0 -0.15	ØD Max	ØE Min	'L' + 13.0 -7.0
09	0.625"	23.0	12.50	24.0	13.0	127
11	0.750"	26.0	15.75	27.0	18.0	
13	0.875"	31.0	19.53	30.0	20.0	
15	1.000"	33.0	22.71	31.0	23.0	
17	1.1875"	37.0	25.88	37.0	26.0	
19	1.250"	40.0	28.55	40.0	29.0	
21	1.375"	44.0	31.72	44.0	32.0	
23	1.500"	46.0	34.80	45.0	34.0	
25	1.625"	50.0	38.07	49.0	39.0	

All Dimensions for reference only

Ordering Information (MIL Part Number)

JAND38999/32 W 15 R

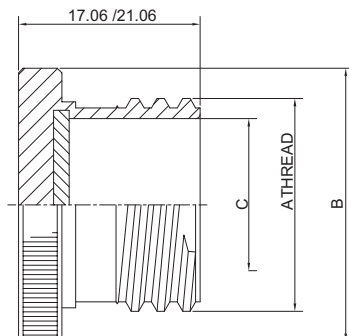
Designates Plug Dust Cover

Class:-
 F - Electroless nikel finish.
 W- Aluminium,500 hrs cadmium olive drab.

Shell Size : 09,11,13,15,17,19,21,23,&25

Style-
 R - Rope
 N - With rope & ring.

Cap without attachment



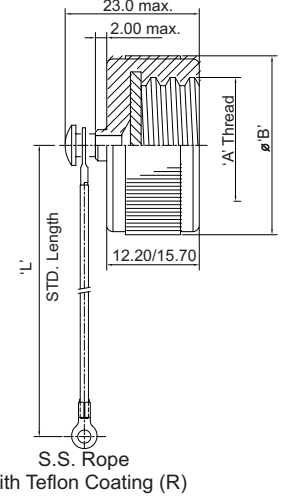
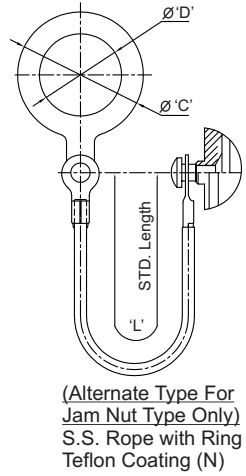
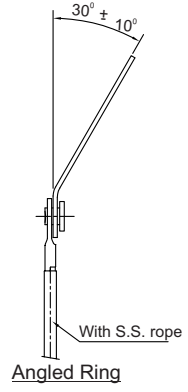
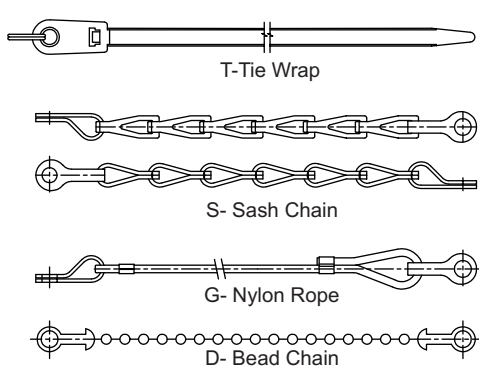
Ordering information ITV32 - 09 - A - V1

Designates Plug Cover

Shell Size : 09,11,13,15,17,19,21,23 & 25

- Class:**
 A - Hard Anodic
 W - Aluminium, 500 hrs. Cadmium Olive Drab
 J - Composite cadmium olive drab
 M - Composite electroless nickel
 F - Aluminium, 48 hrs. electroless nickel
 EB - Zinc Cobalt Loive drab
 T- Nickel PTFE finish

Variant



All Dimensions are in mm

Shell Size	'A' Thread -2A-0.1P -0.3L-TS	ϕB Max	'C' Max	ϕD Min	'L' +13.0 -7.0
09	0.625"	23.0	27.0	17.64	127
11	0.750"	28.0	32.0	21.97	
13	0.875"	31.0	37.0	25.15	
15	1.000"	32.0	40.0	29.92	
17	1.1875"	37.0	44.0	32.0	
19	1.250"	39.0	46.0	36.27	
21	1.375"	42.0	49.0	38.25	
23	1.500"	45.0	54.0	42.62	
25	1.625"	49.0	56.0	44.45	

All Dimensions for reference only

Ordering Information (Proprietary Part Number)

ITV33 09 A F N H

Designates Receptacle Dust Cover

Shell Size: 09, 11, 13, 15, 17, 19, 21, 23, & 25

Class
Aluminium
A - Hard seal nickel finish
B - Zinc nickel finish cadmium olive drab
F - 48 hrs. electroless nickel
T - PTFE Nickel Plating
W - 500 Hrs. cadmium olive drab
EB - Cad. free zinc cobalt -olive drab finish
FB - Cad. free zinc cobalt - black finish
T-PTFE nickel finish
SD- Zinc Ni Black finish
Composite
J - Composite cadmium olive drab
M - Composite electroless nickel
NB - Nickel Aluminum Bronze
CD - S. Steel Passivated

Type of attachment
D - Bead chain passivated
F - Wire rope with teflon jacket
G - Nylon cord
S - Sash chain passivated
X - None

Type of end link
N - Solid ring
T - Tie wrap
X - None

Length of attachment
H - Standard length
For non-standard 'H' length has to be specified in mm.

Ordering Information (MIL Part Number)

JAND38999/33 W 15 R

Designates Receptacle Dust Cover

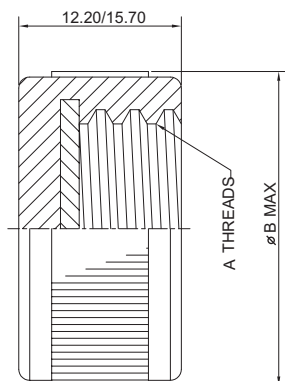
Class:-
F - Electroless nickel finish.
W- Aluminium, 500 hrs cadmium olive drab.

Shell Size : 09,11,13,15,17,19,21,23,&25

Style-
R - Rope
N - With rope & ring.

Note: For non. std. long "L" Contact factory

Cap without attachment



Ordering information ITV33 - 09 - A - V1

Designates Receptacle Cover

Shell Size : 09,11,13,15,17,19,21,23 & 25

Class:
A - Hard Anodic
W - Aluminium, 500 hrs. Cadmium Olive Drab
J - Composite cadmium olive drab
M - Composite electroless
F - Aluminium, 48 hrs. electroless nickel
T - Nickel PTFE finish

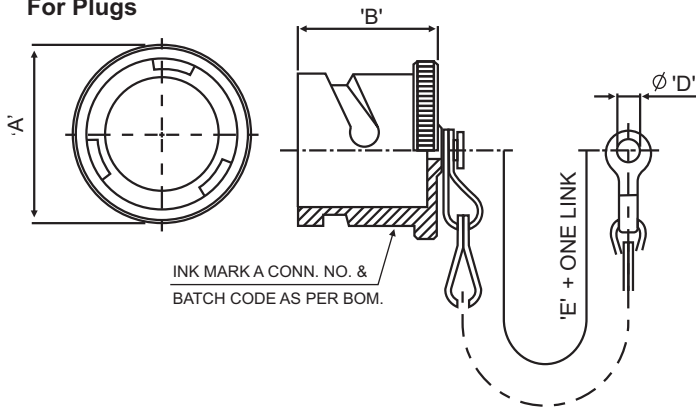
Variant

Other Accessories

Protective cap for 97B series

97B-25042

For Plugs



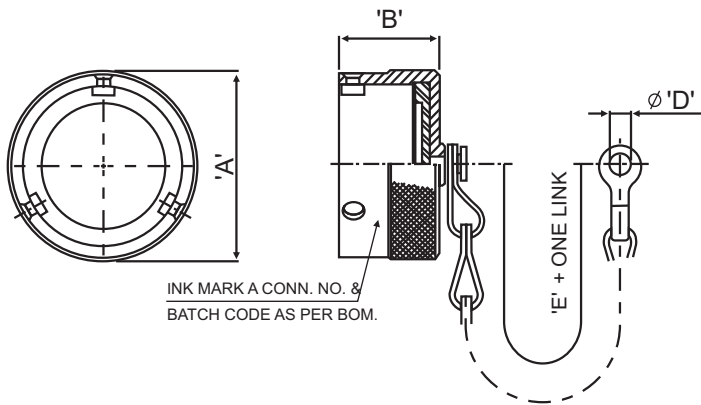
All dimensions are in mm

PART NUMBER	SHELL SIZE	'A' MAX.	'B' MAX.	'D' + 0.60/-0	'E' MIN.
97 B - 25042 - 10SL	10 SL	21.0	23.50	4.30	90.0
97 B - 25042 - 14S	14 S	27.50			100.0
97 B - 25042 - 16S	16 S	30.0			115.0
97 B - 25042 - 16	16	33.50	31.50	4.70	130.0
97 B - 25042 - 18	18	37.0			
97 B - 25042 - 20	20	40.0			
97 B - 25042 - 22	22	43.0			
97 B - 25042 - 24	24	49.50		5.50	190.0
97 B - 25042 - 28	28	56.0			
97 B - 25042 - 32	32	62.50			
97 B - 25042 - 36	36	68.50			
97 B - 25042 - 40	40	68.50			

Protective Cap For 97B Series

97B-25043

For Receptacle



All dimensions are in mm

PART NUMBER	SHELL SIZE	'A' MAX.	'B' ± 0.20	'D' + 0.60/-0	'E' MIN.
97 B - 25043 - 10SL	10 SL	23.0	16.0	4.30	90.0
97 B - 25043 - 14S	14 S	30.0			100.0
97 B - 25043 - 16S	16 S	32.50			115.0
97 B - 25043 - 16	16	37.0	20.70	5.50	160.0
97 B - 25043 - 18	18	40.50			
97 B - 25043 - 20	20	43.50			
97 B - 25043 - 22	22	47.0			
97 B - 25043 - 24	24	54.0			
97 B - 25043 - 28	28	60.50			
97 B - 25043 - 32	32	67.0			
97 B - 25043 - 36	36	73.0			
97 B - 25043 - 40	40	73.0			

Note :- Please add 07 suffix for bigger end link. Applicable for Jam Nut

97B-25043-XX-624-LXX-V1

97B- Reverse Bayonet caps
MS- Threaded Caps

25042 - Caps for plug
25043 - Caps for receptacle

Shell Size 10sl To 36

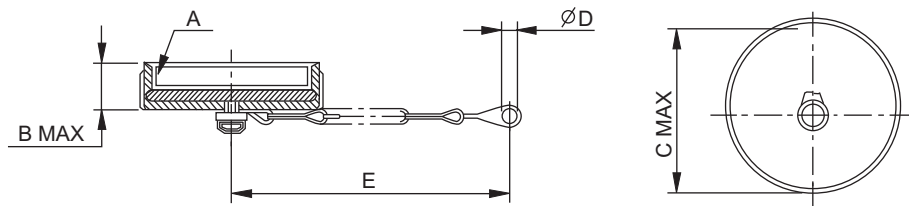
Cap w/o chain & rivet hole

For non - std length specified in cm.

A23 Electroless Nickel Finish
624 : Zn CO Black
622 : Zn Co Green
610 : Hard Anodize finish
(Standard supplied Cadmium green colour)

Protective Cap For MS Series MS-25043

For receptacles Has internal threads and is used on all receptacles. Gasket is provided in the dust cap forming a watertight seal.

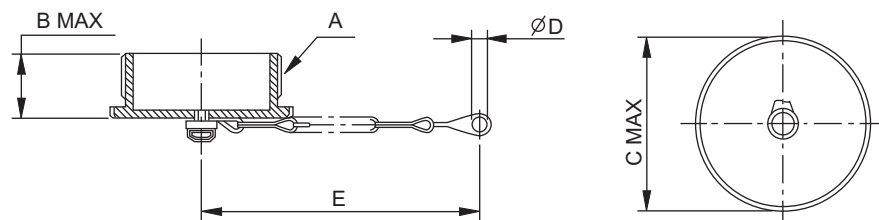


All dimensions are in mm

MS Part number	Shell size	A Thread in inches	B	C	D	E
MS 25043-10	10S	5/8-24	11.11	20.7	3.6	102
MS 25043-12	12S	3/4- 20	11.11	25.4	3.6	115
MS 25043-14	14S	7/8-20	11.11	28.6	3.6	115
MS 25043-16	16-16S	1-20	11.11	30.2	3.6	115
MS 25043-18	18	1 1/8-18	11.11	34.1	3.6	115
MS 25043-20	20	1 1/4-18	11.11	37.3	4.4	127
MS 25043-22	22	1 3/8-18	11.11	40.4	4.4	127
MS 25043-24	24	1 1/2-18	11.11	43.6	4.4	140
MS 25043-28	28	1 3/4-18	12.7	50	4.4	197
MS 25043-32	32	2-18	12.7	56.3	4.8	197
MS 25043-36	36	2 1/4-18	12.7	62.7	4.8	197
MS 25043-40	40	2 1/2-16	12.7	69	4.8	197

Other Accessories Protective cap for MS series MS-25042

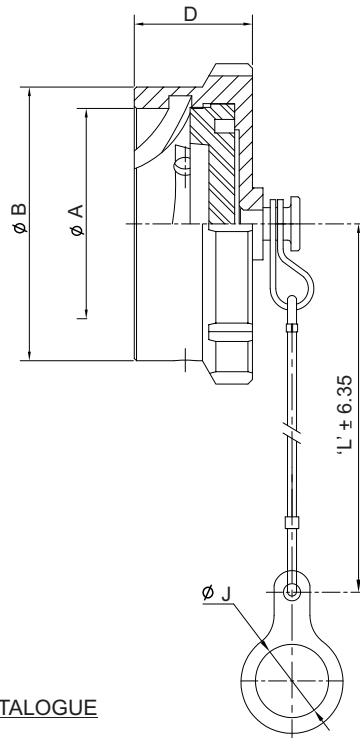
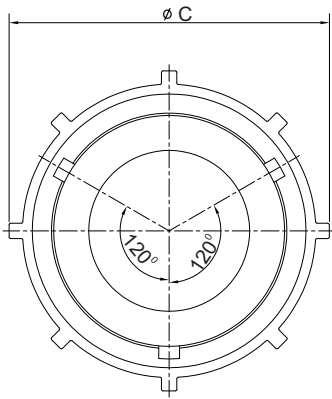
For plugs Has external threads and is used on all plugs where a coupling ring is provided.



All dimensions are in mm

MS Part number	Shell size	A Thread in inches	B	C	D	E
MS 25042-10	10S-1-SL	5/8-24	16.67	17.4	4	102
MS 25042-12	12-12S	3/4- 20	21.4	20.6	4	115
MS 25042-14	14-14S	7/8-20	21.4	23.7	4	115
MS 25042-16	16-16S	1-20	21.4	26.9	4	115
MS 25042-18	18	1 1/8-18	21.4	30	4	115
MS 25042-20	20	1 1/4-18	21.4	33	4.8	127
MS 25042-22	22	1 3/8-18	21.4	36.4	4.8	127
MS 25042-24	24	1 1/2-18	21.4	39.6	4.8	140
MS 25042-28	28	1 3/4-18	21.4	46	4.8	197
MS 25042-32	32	2-18	21.4	52	5.6	197
MS 25042-36	36	2 1/4-18	21.4	58.7	5.6	197
MS 25042-40	40	2 1/2-16	21.4	65	5.6	197

MIL C26482 Heavy Duty Cap 62IN - 1069 - XX For Receptacle



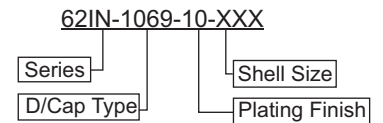
FOR OTHER DETAILS & CONN. SPEC. REF. OUR 62IN CATALOGUE

All Dimensions are in mm

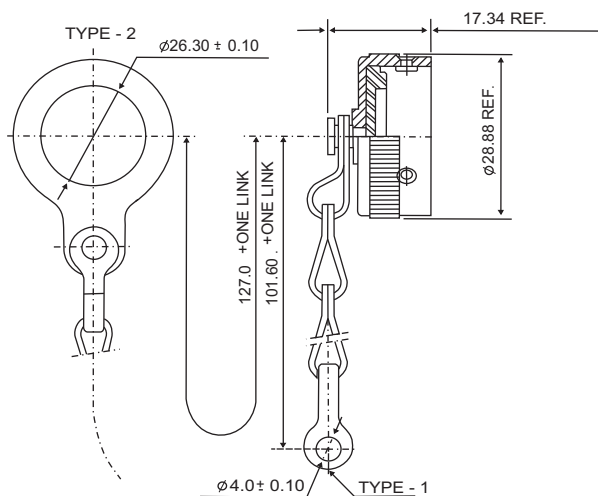
Shell Size	ϕ 'A' Min.	ϕ 'B'	ϕ 'C' Max	ϕ 'D' ± 0.25	ϕ 'J' ± 0.25	'L' LENGTH
08	12.22	17.60	22.66	13.13	14.69	76.20
10	15.29	20.35	26.84		17.86	
12	19.33	24.50	29.01		22.64	
14	22.48	27.90	32.19		25.81	88.90
16	25.05	31.07	36.94		28.99	
18	28.85	33.33	39.70		32.16	
20	32.0	36.89	42.85		35.35	
22	35.18	40.06	45.65	38.51	101.60	
24	38.35	43.14	48.82	41.68		

All Dimensions for reference only

Ordering Information



MIL-C 1054 Dust Cap for 10 Pin Audio Connector

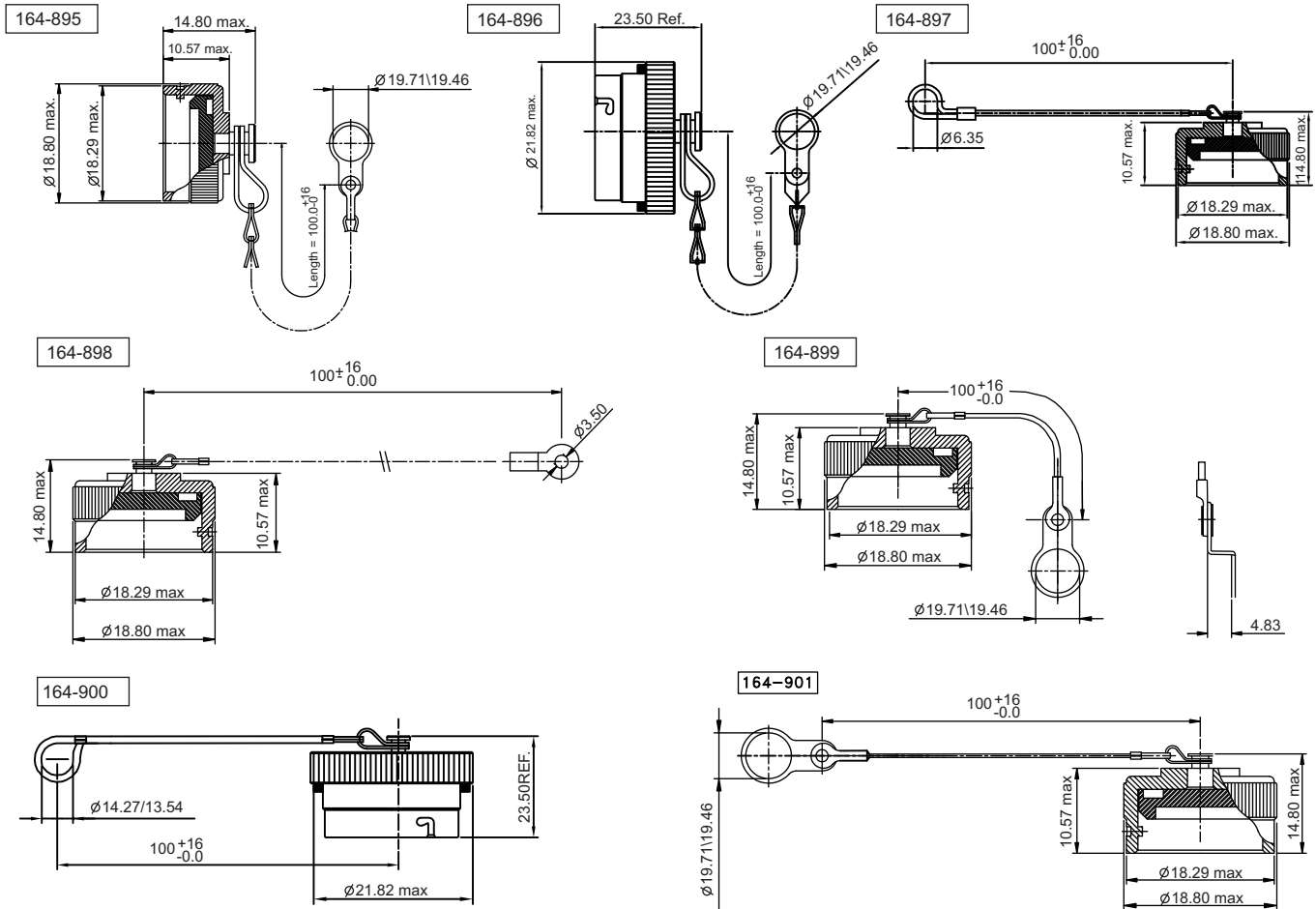


All dimensions in mm

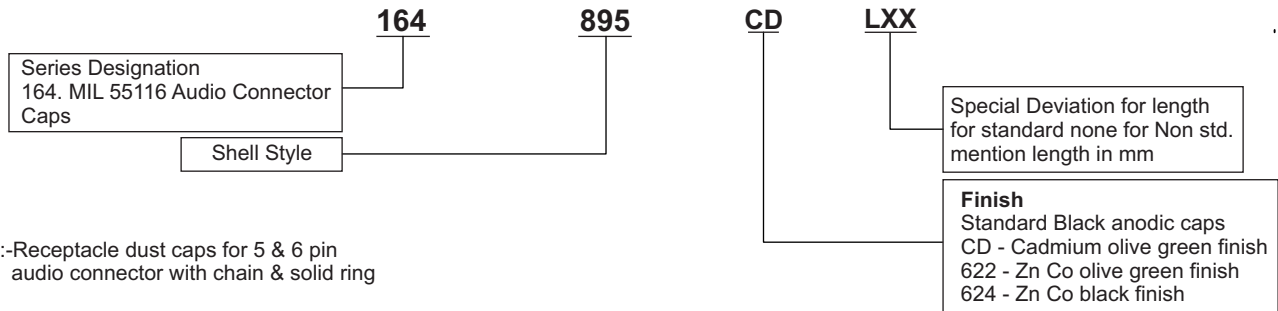
Table 1

Dust Cap No.	Link Type	Cap Finish
164-377	Type-2	Black Anodised
164-377-714	Type-2	Cadmium Plate with Electroless Under Coat
164-377-01	Type-1	Black Anodised
164-377-01-714	Type-1	Cadmium Plate with Electroless Under Coat

MIL DTL - 55116 Protective Caps For Audio connector (5 & 6 Pin)



ORDERING INFORMATION FOR 164 DUST CAP

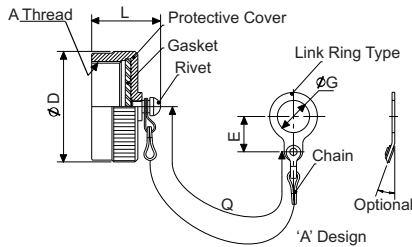


- 895:-Receptacle dust caps for 5 & 6 pin audio connector with chain & solid ring
- 896:-Plug dust caps for 5 & 6 pin audio connector with chain & solid ring
- 897:-Receptacle dust caps for 5 & 6 pin audio connector with nylon rope & loop
- 898:-Receptacle dust caps for 5 & 6 pin audio connector with nylon rope & SS lug
- 899:-Receptacle dust caps for 5 & 6 pin audio connector with SS rope & lug
- 900:-Plug dust caps for 5 & 6 pin audio connector with SS rope & loop
- 901:-Receptacle dust caps for 5 & 6 pin audio connector with nylon rope & solid ring

MATERIAL

- Cover : Machined Alluminium Alloy
- Gasket : Silicon elastomer
- Chain : Stainless steel passivated
- Ring : Stainless steel passivated
- SS Rope : Stainless steel teflon coated
- Rope : Nylon (olive green)
- Fastners : Stainless steel passivated

Receptacle Dustcap (AQWLD-17349)



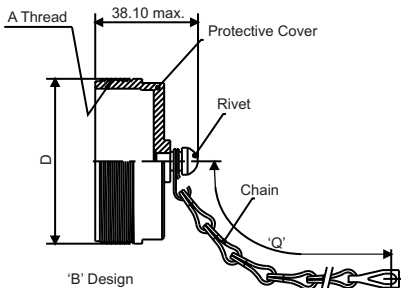
All dimensions are in mm

Amphenol Part No.	MS Part No.	A Thread 2B Double Start	ØD MAX.	E MIN.	L MAX.	ØG MIN.	Q
AQWLD-17349C12*	MS17349C12*	0.875-0.1P-0.2L-DS	27.80	21.10	19.43	25.80	127.00
AQWLD-17349C14*	MS17349C14*	1.000-0.1P-0.2L-DS	31.00	22.10		29.00	
AQWLD-17349C16*	MS17349C16*	1.1250-0.1P-0.2L-DS	34.10	24.60		32.20	
AQWLD-17349C18*	MS17349C18*	1.250-0.1P-0.2L-DS	37.30	25.70	24.90	35.30	152.40
AQWLD-17349C20*	MS17349C20*	1.375"-0.1P-0.2L-DS	39.70	28.40		38.50	
AQWLD-17349C22*	MS17349C22*	1.500"-0.1P-0.2L-DS	42.90	30.20		41.70	
AQWLD-17349C24*	MS17349C24*	1.750-0.1P-0.2L-DS	49.30	33.80		48.00	
AQWLD-17349C28*	MS17349C28*	2.000"-0.1P-0.2L-DS	56.40	37.60		54.40	
AQWLD-17349C32*	MS17349C32*	2.250-0.1P-0.2L-DS	62.70	41.10		60.70	
AQWLD-17349C36*	MS17349C36*	2.500-0.1P-0.2L-DS	69.10	45.00		67.10	
AQWLD-17349C40*	MS17349C40*	2.750-0.1P-0.2L-DS	75.40	48.50	73.40		

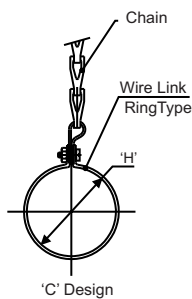
*Add attaching ring A, B, or C.

Plug Dustcap (AQWLD-17350)

All dimensions are in mm



'B' Design



'C' Design

Amphenol Part No.	MS Part No.	A Thread 2A Double Start	ØD MAX.	ØH MIN.	Q -0.0 +1 LINK
AQWLD-17350C10*	MS17350C10*	0.750-0.1P-0.2L-DS	20.60	18.30	127.00
AQWLD-17350C12*	MS17350C12*	0.875-0.1P-0.2L-DS	23.80	21.40	
AQWLD-17350C14*	MS17350C14*	1.000-0.1P-0.2L-DS	27.00	24.70	
AQWLD-17350C16*	MS17350C16*	1.1250-0.1P-0.2L-DS	30.20	27.70	152.40
AQWLD-17350C18*	MS17350C18*	1.250-0.1P-0.2L-DS	33.30	30.90	
AQWLD-17350C20*	MS17350C20*	1.375"-0.1P-0.2L-DS	36.50	34.00	
AQWLD-17350C22*	MS17350C22*	1.500"-0.1P-0.2L-DS	39.70	37.30	
AQWLD-17350C24*	MS17350C24*	1.750-0.1P-0.2L-DS	46.00	43.60	
AQWLD-17350C28*	MS17350C28*	2.000"-0.1P-0.2L-DS	52.40	50.00	
AQWLD-17350C32*	MS17350C32*	2.250-0.1P-0.2L-DS	58.70	56.30	
AQWLD-17350C36*	MS17350C36*	2.500-0.1P-0.2L-DS	65.10	62.70	
AQWLD-17350C40*	MS17350C40*	2.750-0.1P-0.2L-DS	71.40	70.60	

*Add attaching ring A, B, or C.

Series
AQWLD

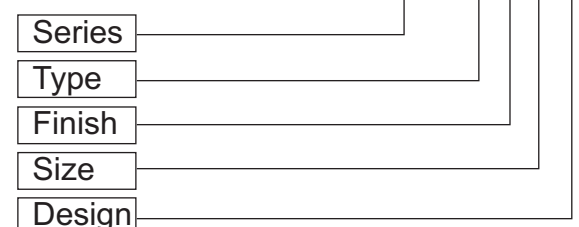
Type
AQWLD 17349 - Cap for Receptacle
AQWLD 17350 - Cap for Plug

Finish
N - Black Anodized (Non-conductive)
C - Cadmium over electroless nickel (Conductive)

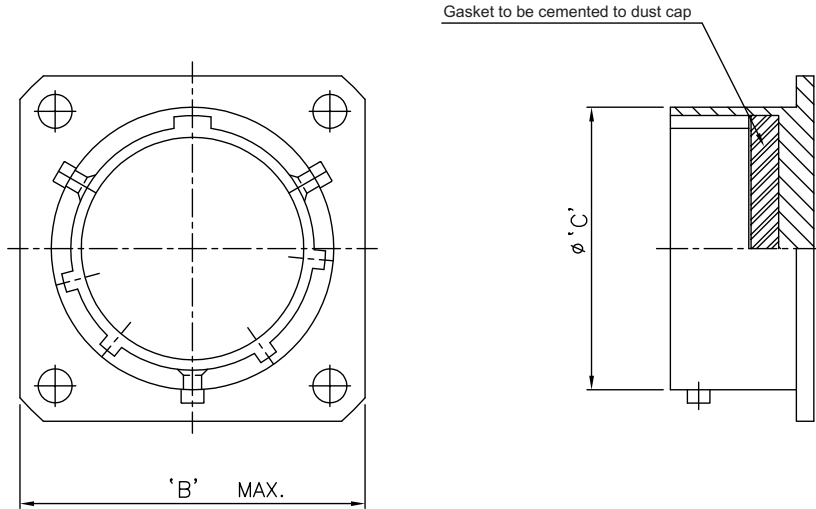
Size
12 14 16 18 20 22 24 28 32 36 40

Design
A - Chain & mounting ring
B - Chain without ring
C - Chain with clip

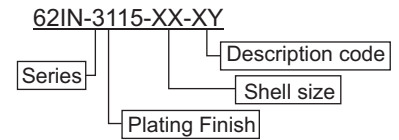
Ordering Information AQWLD 49 C 20 A



MIL 26482 Dummy Receptacle

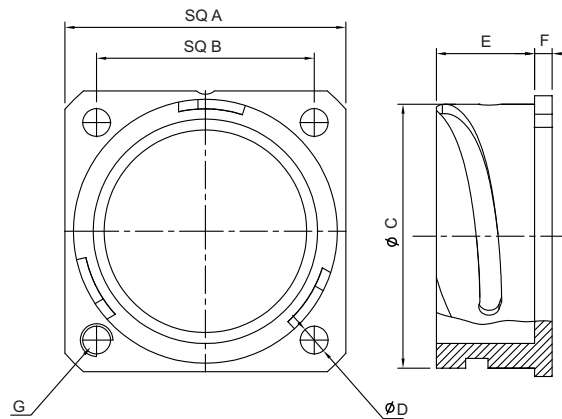


Shell Size	'B' Sq.	'C' ±0.08
08	20.62	11.96
10	23.80	14.94
12	26.59	18.97
14	28.58	22.17
16	31.34	25.32
18	33.32	28.52
20	36.50	31.70
22	39.67	34.87
24	42.85	38.05

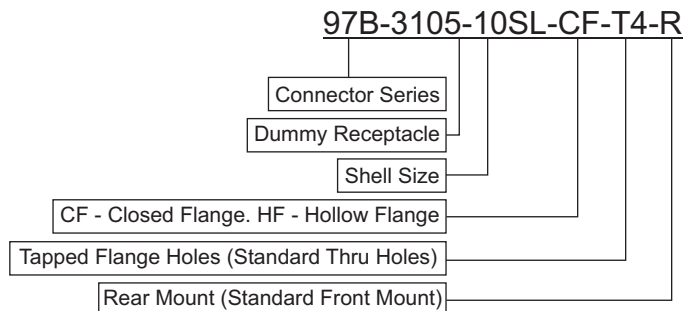


MIL 5015 Dummy Receptacle Bayonet

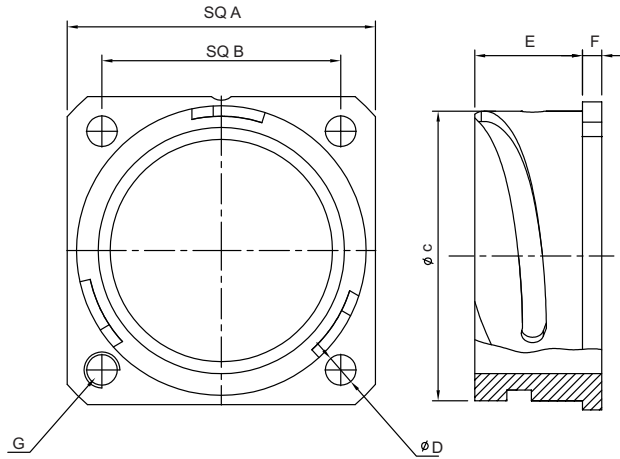
Front Panel Mounting Dummy Receptacles Rear Side Closed



Part No.	'A' +0.18 -0.20	'B' ±0.13	∅'C' +0.00 -0.13	∅'D' +0.10 -0.00	'E' +0.30 -0.00	'F' +0.18	'G'
97B-3105-10SL-CF	25.40	18.20	18.20	3.20	14.20	2.80	M4
97B-3105-14SL-CF	30.00	23.00	23.00	3.20	14.20	3.20	M4
97B-3105-16SL-CF	32.50	24.60	24.60	3.20	14.20	3.20	M4
97B-3105-16-CF	32.50	24.60	24.60	3.20	19.00	3.20	M4
97B-3105-18-CF	35.00	27.00	30.80	3.20	19.00	4.00	M4
97B-3105-20-CF	38.00	29.40	34.20	3.20	19.00	4.00	M4
97B-3105-22-CF	41.00	31.80	37.40	3.20	19.00	4.00	M4
97B-3105-24-CF	44.50	34.90	40.90	3.70	20.60	4.00	M4
97B-3105-28-CF	50.80	39.70	46.70	3.70	20.60	4.00	M5
97B-3105-32-CF	57.10	44.50	53.40	4.30	22.20	4.00	M5
97B-3105-36-CF	63.50	49.20	59.60	4.30	22.20	4.00	M5
97B-3105-40-CF	69.90	55.50	65.50	4.30	22.20	4.00	M5

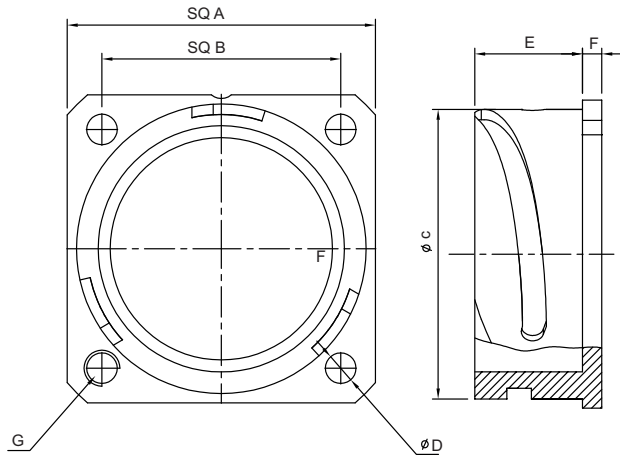


Front Panel Mounting Dummy Receptacles Rear Side Opened



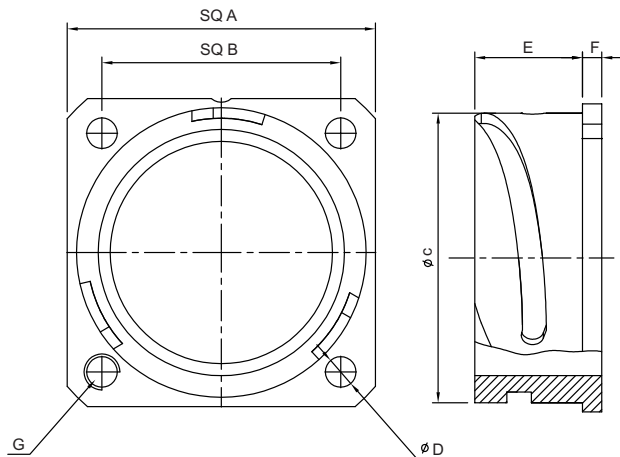
Part No.	'A' +0.18 -0.20	'B' ±0.13	Ø'C' +0.00 -0.13	Ø'D' +0.10 -0.00	'E' +0.30 -0.00	'F' ±0.18	'G'
97B-3105-10SL-HF	25.40	18.20	18.20	3.20	14.20	2.80	M4
97B-3105-14SL-HF	30.00	23.00	23.00	3.20	14.20	3.20	M4
97B-3105-16SL-HF	32.50	24.60	24.60	3.20	14.20	3.20	M4
97B-3105-16-HF	32.50	24.60	24.60	3.20	19.00	3.20	M4
97B-3105-18-HF	35.00	27.00	30.80	3.20	19.00	4.00	M4
97B-3105-20-HF	38.00	29.40	34.20	3.20	19.00	4.00	M4
97B-3105-22-HF	41.00	31.80	37.40	3.20	19.00	4.00	M4
97B-3105-24-HF	44.50	34.90	40.90	3.70	20.60	4.00	M4
97B-3105-28-HF	50.80	39.70	46.70	3.70	20.60	4.00	M5
97B-3105-32-HF	57.10	44.50	53.40	4.30	22.20	4.00	M5
97B-3105-36-HF	63.50	49.20	59.60	4.30	22.20	4.00	M5
97B-3105-40-HF	69.90	55.50	65.50	4.30	22.20	4.00	M5

Back Panel Mounting Dummy Receptacles Rear Side closed



Part No.	'A' +0.18 -0.20	'B' ±0.13	Ø'C' +0.00 -0.13	Ø'D' +0.10 -0.00	'E' +0.30 -0.00	'F' ±0.18	'G'
97B-3105-10SL-CF	25.40	18.20	18.20	3.20	18.30	2.80	M4
97B-3105-14SL-CF	30.00	23.00	24.60	3.20	18.30	3.20	M4
97B-3105-16SL-CF	32.50	24.60	27.40	3.20	18.30	3.20	M4
97B-3105-16-CF	32.50	24.60	27.40	3.20	23.15	3.20	M4
97B-3105-18-CF	35.00	27.00	30.80	3.20	23.15	4.00	M4
97B-3105-20-CF	38.00	29.40	34.20	3.20	23.15	4.00	M4
97B-3105-22-CF	41.00	31.80	37.40	3.20	23.15	4.00	M4
97B-3105-24-CF	44.50	34.90	40.90	3.70	23.15	4.00	M4
97B-3105-28-CF	50.80	39.70	46.70	3.70	24.15	4.00	M5
97B-3105-32-CF	57.10	44.50	53.40	4.30	24.15	4.00	M5
97B-3105-36-CF	63.50	49.20	59.60	4.30	24.15	4.00	M5
97B-3105-40-CF	69.90	55.50	65.50	4.30	24.15	4.00	M5

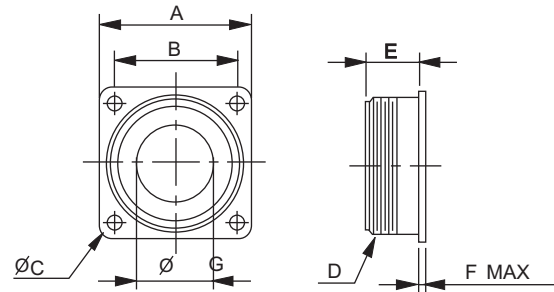
Front Back Mounting Dummy Receptacles Rear Side Opened



Part No.	'A' +0.18 -0.20	'B' ±0.13	Ø'C' +0.00 -0.13	Ø'D' +0.10 -0.00	'E' +0.30 -0.00	'F' ±0.18	'G'
97B-3105-10SL-HF	25.40	18.20	18.20	3.20	18.30	2.80	M4
97B-3105-14SL-HF	30.00	23.00	24.60	3.20	18.30	3.20	M4
97B-3105-16SL-HF	32.50	24.60	27.40	3.20	18.30	3.20	M4
97B-3105-16-HF	32.50	24.60	27.40	3.20	23.15	3.20	M4
97B-3105-18-HF	35.00	27.00	30.80	3.20	23.15	4.00	M4
97B-3105-20-HF	38.00	29.40	34.20	3.20	23.15	4.00	M4
97B-3105-22-HF	41.00	31.80	37.40	3.20	23.15	4.00	M4
97B-3105-24-HF	44.50	34.90	40.90	3.70	23.15	4.00	M4
97B-3105-28-HF	50.80	39.70	46.70	3.70	24.15	4.00	M5
97B-3105-32-HF	57.10	44.50	53.40	4.30	24.15	4.00	M5
97B-3105-36-HF	63.50	49.20	59.60	4.30	24.15	4.00	M5
97B-3105-40-HF	69.90	55.50	65.50	4.30	24.15	4.00	M5

MIL 5015 Threaded Dummy Receptacle

Other Accessories Dummy receptacle MS-3105

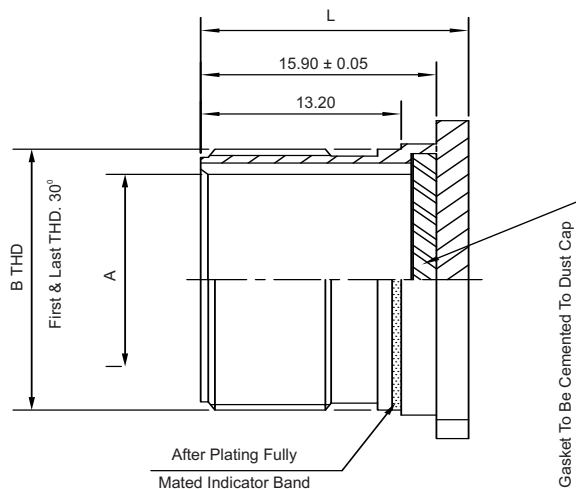
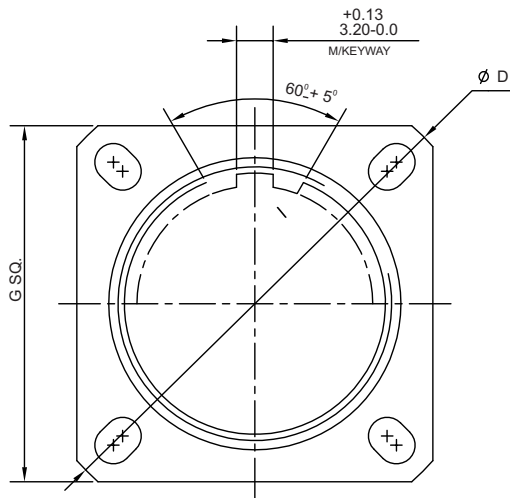


All dimensions are in mm

Part number (see note)	A	B	C	D Thread in inches	E	F max.	G
MS-3105-10S	25.4	18.26	3.05	5/8-24	14.27	3.96	8.20
MS-3105-12S	27.79	20.62	3.05	3/4-20	14.27	3.96	11.43
MS-3105-12	27.79	20.62	3.05	3/4-20	19.05	3.96	11.43
MS-3105-14S	30.17	23.01	3.05	7/8-20	14.27	3.96	13.36
MS-3105-14	30.17	23.01	3.05	7/8-20	19.05	3.96	13.36
MS-3105-16S	32.54	24.61	3.05	1-20	14.27	3.96	16.41
MS-3105-16	32.54	24.61	3.05	1-20	19.05	3.96	16.41
MS-3105-18	34.92	26.97	3.05	1 1/8-18	19.05	5.16	18.03
MS-3105-20	38.10	29.36	3.05	1 1/4-18	19.05	5.16	23.54
MS-3105-22	41.27	31.75	3.05	1 3/8-18	19.05	5.16	25.93
MS-3105-24	44.45	34.92	3.73	1 1/2-18	20.62	5.16	29.21
MS-3105-28	50.8	39.67	3.73	1 3/4-18	20.62	5.16	34.67
MS-3105-36	63.5	49.22	4.39	2 1/4-16	22.2	9.11	46.56

Note: The dash number also indicates shell size.

MIL DTL 38999 Series III Dummy Receptacle



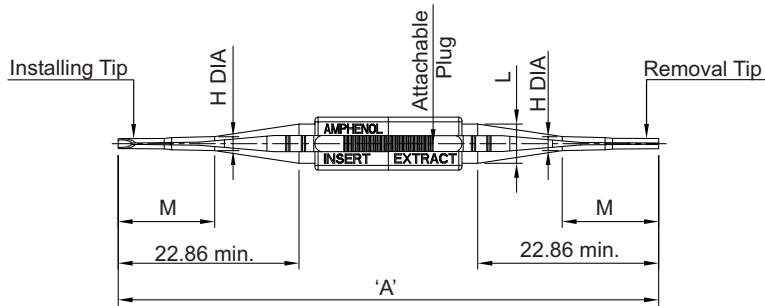
Shell Size	Mil. Code	Ø A +0.13 -0.0	'B' R H Thread	Ø D	'G' +0.23 -0.25	'L'
09	A	11.23	5/8" 0.1P-.3LTS	31.75	23.83	18.50
11	B	14.48	3/4" 0.1P-.3LTS	34.93	26.19	
13	C	17.32	7/8" 0.1P-.3LTS	38.10	28.58	
15	D	20.50	1.0" 0.1P-.3LTS	41.28	30.96	
17	E	23.67	1 3/16" 0.1P-.3LTS	44.45	33.32	
19	F	26.34	1 1/4" 0.1P-.3LTS	47.63	36.53	
21	G	29.51	1 3/8" 0.1P-.3LTS	50.80	39.67	
23	H	32.69	1 1/2" 0.1P-.3LTS	55.58	42.88	19.50
25	J	35.86	1 5/8" 0.1P-.3LTS	60.33	46.02	

Ordering Information

ITV22 - 09 - W



Insertion Removal Tool



Ordering Information

Insertion & Removal Tool

Contact Size

Colour Code

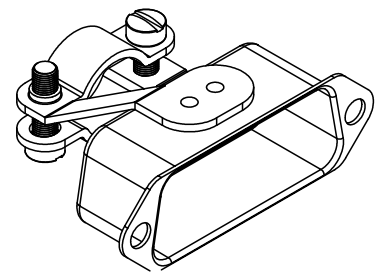
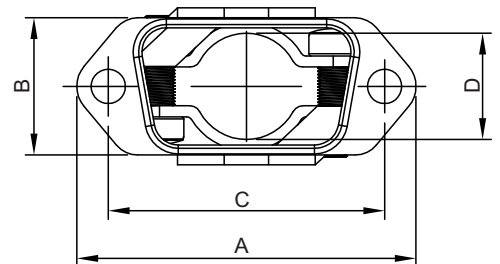
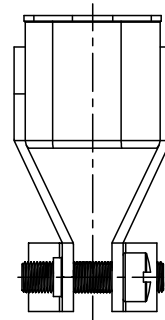
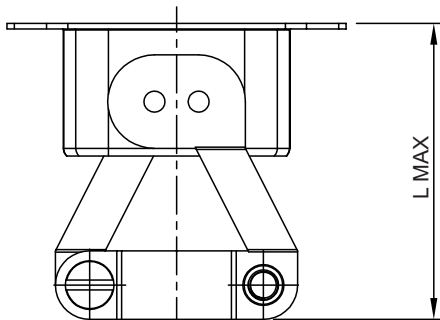
IRT - XXX - XX

SR. NO	MIL Part Number	Amphenol Part Number	Contact Size	Colour Code		'A' max.	'M' min.	'L' max.	'H' max.
				Installing Tip	Removal Tip				
1	M81969/14-01	IRT - 22D -GW	22D	Green	White	114.0	15.24	7.36	2.28
2	M81969/14-11	IRT - 20 -RW	20	Red	White	114.0	19.30	7.36	3.81
3	M81969/14-10	IRT - 20 -RO	20	Red	Orange	114.0	19.30	7.36	3.81
4	M81969/14-03	IRT - 16 -BW	16	Blue	White	114.0	25.40	11.18	5.87
5	M81969/14-04	IRT - 12 -YW	12	Yellow	White	114.0	25.40	11.18	7.29

Backshell for D - SUB (M24308) Connector

BACKSHELL FOR D- SUB (M24308) CONNECTOR:

A. METALLIC STRAIGHT CABLE HOUSING WITH CABLE CLAMP :



Ordering Information

M2000/48 - 2 - X - XX

SERIES No.

DASH No.

SHELL SIZE

FINISH DESIGNATOR

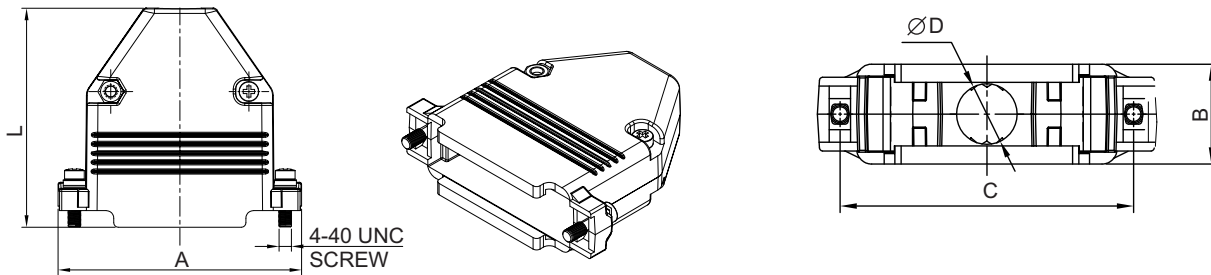
FINISH : F - CADMIUM PLATE WITH YELLOW PASSIVATION

Z - ZINC PLATE WITH YELLOW PASSIVATION

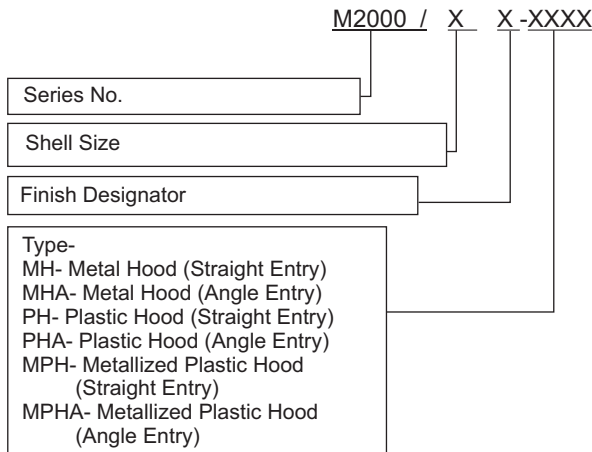
TI - TIN PLATED

Sr.No.	MIL Part No.	SHELL SIZE	No. of PINS DENSITY		A	B	C	D max	L max
			STD	HIGH					
1	M2000/48-2-1Z	1	9	15	30.70	12.40	24.99	10.30	27.80
2	M2000/48-2-2Z	2	15	26	39.00	12.40	33.32	10.30	27.80
3	M2000/48-2-3Z	3	25	44	52.90	12.40	47.04	15.10	28.60
4	M2000/48-2-4Z	4	37	62	69.20	12.40	63.50	18.30	28.60
5	M2000/48-2-5Z	5	50	78	66.80	15.25	61.11	18.30	28.60

Hood for D-Sub (M24308) Connector Metal Hood (Straight Entry)



Ordering Information (Military Part Number)



All Dimensions are in mm

Sr. No.	Shell Size	No. of Pins Density		'A'	'B'	'C'	'D'	'L'
		Std.	High					
01	01	09	15	31.50	15.60	24.99	6.00	47.60
02	02	15	26	40.80	15.60	33.30	10.00	48.20
03	03	25	44	54.20	16.00	47.00	10.00	48.80
04	04	37	62	69.20	16.00	63.50	10.20	48.60
05	05	50	78	67.10	18.00	61.10	12.30	48.60

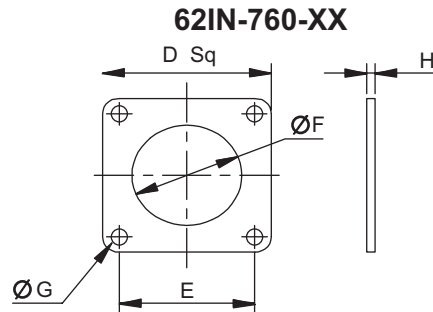
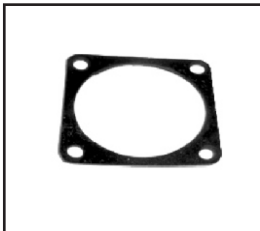
* For angle entry please contact factory.

Finish-
 Z- Zinc Plate with yellow passivation
 F- Cadmium Plate with yellow passivation

For nickel plated no suffix is required.

Flange Mounting Gasket

(Replace XX with the required shell size)



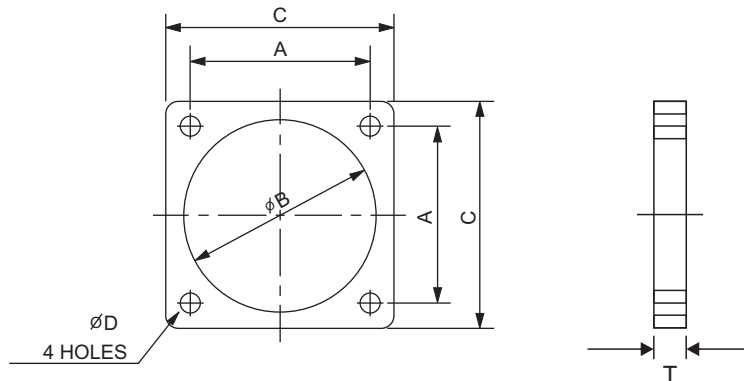
All dimensions in mm

Shell size	D	E	F Dia	G Dia	H max
8	20.62	15.08	12.90	3.30	1.06
10	23.82	18.26	16.07	3.30	1.06
12	26.18	20.65	19.25	3.30	1.06
14	28.57	23.01	22.42	3.30	1.06
16	30.96	24.61	25.60	3.30	1.06
18	33.32	27.00	28.77	3.30	1.06
20	36.52	29.36	31.95	3.30	1.06
22	39.70	31.75	35.13	3.30	1.06
24	42.87	34.92	38.30	3.96	1.06

Other Accessories

Plain flat gasket

For MS and 97B flange mounted receptacles



All dimensions are in mm

Part number	Shell size	A max	B	C	D	T
MS-101000	10SL	18.26	15.90	25.40	4.35	1.5
MS-108686	12S & 12	20.62	19.05	27.80	4.35	1.5
MS-101001	14S & 14	23.01	22.20	30.15	4.35	1.5
MS-101002	16S & 16	24.61	25.40	32.50	4.35	1.5
MS-101003	18	27.00	28.57	34.90	5.15	1.5
MS-101004	20	29.36	31.75	38.10	5.15	1.5
MS-101005	22	31.75	34.90	41.20	5.15	1.5
MS-108687	24	34.90	38.10	44.45	5.15	1.5
MS-101006	28	39.70	44.45	50.80	5.15	1.5
MS-108688	32	44.45	50.80	57.15	5.55	1.5
MS-101007	36	49.22	55.57	63.50	5.55	1.5
MS-110831	40	55.77	61.92	69.85	5.55	1.5

*For Conductive and rear Mount Gasket contact factory.

Notice : All information, including illustrations given herein is believed to be accurate at the time of printing. In lieu of design advances, Amphenol reserves the right to change specifications without notice. This publication Dust Cap Accessory Series Connectors AC ACC11 1211 supercedes all existing Amphenol literature on Dust Cap Accessory Series Connectors.

NORTH AMERICA

Sales & Product Support

Amphenol PCD
72 Cherry Hill Drive
Beverly, MA 01915 USA
Tel: +1-978-624-3400
Fax: +1-978-927-1513
info@amphenolpcd.com
www.amphenolpcd.com
www.backshellworld.com

Amphenol Aerospace Operations
40-60, Delaware Avenue
Sidney, NY 13838-1395
Tel: +1-607-563-5011
Fax: +1-607-563-5357

Amphenol Canada
Meford Drive
Scarborough,
ON M1B 2X6
Tel: +416-291-4401
Fax: +416-292-0647

Amphenol Fiber Systems International
1300 Central Expressway North
Suite 100 Allen, Texas 75013, USA
Tel: +1-214-547-2400
Fax: +1-214-547-9344

EUROPE

France

Amphenol Socapex S.A.S.
948, Promenade de l'Arve
Bp29, Thyez Cedex
74311, France
Tel: +33-4-5089-2800
Fax: +33-4-5096-1941

United Kingdom

Amphenol Limited
Thanet Way, Whitstable
Kent CT5 3JF, England
Tel: +44-1227-773-200
Fax: 44-1227-276-571

Germany

Amphenol-Air LB GmbH
Am Kleinbahnhof 4
Saarlouis
D-66740, Germany
Tel: 49-6831-9810-00
Fax: 49-6831-9810-30

Italy

Via Barbaiana 5
20020 Lainate (Milano)
Italy
Tel: +39-02-93254.209
+39-02-93254.214
Fax: +39-02-93254-444

Center & East Europe

Amphenol
Wiener Gasse 68
2380 Perchtoldsdorf
Tel: +43-699-10396071
Fax: +43 699 40396071

Amphenol Air-LB

Immeuble Le Doublon
11, Avenue Dobonnet
Courbevoie-Cedex
92407, France
Ph: +33-1-4905-3000
Fax: +33-1-4905-3043

Spain

Amphenol Iberica
Edificio Burgosol Oficina
N 55 C/Comunidad de
Madrid 35 bis -
Las Rozas (Madrid)
Tel: +34-91-6407302
+34-91-6407306
Fax: +34-91-6407307

Austria

Amphenol Austria
Wiener Gasse 68
2380, Erchtoldsdorf,
Austria
Tel: + 43-69910396071
Fax: + 43-69940306071

Holland

Amphenol Benelux
Zademaker 121
NL-2401 PD Alphen
aan den Rijn Holland
Tel: +31-172-444903
Fax: +31-172 240254

Sweden

Amphenol
(Nordic & Baltic)
Ångsullsvägen 7
S-187 51 Täby.
Sweden
Tel: +46-85-1051816
+46-76-8418600
Fax: +46-70- 2634677
+46-70-2203197

ASIA

India

Amphenol Interconnect India Pvt. Ltd.
105 Bhosari Industrial Area
Pune-411026, India
Tel: +9120-3068-8305
Fax: +9120-2712-9158

Japan

Amphenol Japan
471-1, Deba, Ritto City
Shiga 520-3041, Japan
Tel: +81-77-553-8501
Fax: +81-77-551-2200

Singapore

Amphenol East Asia Ltd.
72 Bendemeer Road
03-33 Luzerne
Singapore 339 941
Tel: 65-6294-2128
Fax: 65-6294-3522

China

Amphenol PCD Shenzhen
3/F Building, A4 Songbai
Industrial Park
East Road of Minghuan
Gongming Town, Baon District
Shenzhen, China
Tel: +86-755-8173-8000
Fax: +86-755-8173-8180

Amphenol Interconnect India Pvt. Ltd.

61 Electronics City
Bangalore-560 100, India
Ph: +9180-2852-3838
Fax: +9180-2852-0418

Korea

Amphenol Daeshin Electronics
558 SoSa, SongNae, Bucheon-City
Kyunggi-Do, Korea 420-130
Tel: +82-32-610-3800
Fax: +92-32-673-2507

ROW

Australia

Amphenol Australia Pty Ltd
2 Fiveways Boulevard
Keysborough
VIC 3173
Ph: +61-3-8796-8888
Fax: +61-3-8796-8801

Africa

Amphenol South Africa
30 Impala Road
2196 Sandton-Chistlehurst
South Africa
Tel: +27-11-783-9517
Fax: +27-11-783-9519

Russia

Amphenol Russia
8-2 Yaroslavskaja Str
129164 Moscow, Russia
Tel: +7-495-937-6341
Fax: +7-495-937-6319

Argentina

Amphenol Argentina
Avenida Callao 930
2nd Floor, Office B Plaza
C1023AAP Buenos Aires
Argentina
Tel: 54-11-4815-6886
Fax: 54-11-4814-5779

Israel

Bar-Tec Ltd.
P.O. Box 279
Kfar Sava, 44102 Israel
Tel: +972-9-7644100
Fax: +972-9-7674324

Maslak

34396 Istanbul
Tel: +90-212-335-2501
Fax: +90-212-335-2500

Brazil

Amphenol do Brasil Ltda
Rua Diogo Moreira 132
CEP 05423-010
Sao Paulo-SP, Brazil
Tel: +55-11-3815-1003
Fax: +55-11-3815-1629