

UTS Hi seal with PC tail contacts



PCB mounted UTS Hi seal: rugged & plastic

Jam nut & Square flange receptacles with PC tail contacts were designed for applications in harsh environments where connectors are used in wet, corrosive and tight-space conditions.

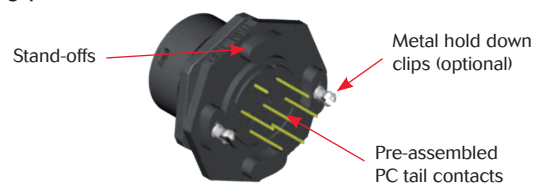
Wave soldering suitable ✓

PC Tail contacts

Hold down clips for secure mechanical retention

Standoffs to ensure consistent height off PCB and to aid cleaning process

**SEALED
UNMATED**



Excellent corrosion resistance ✓

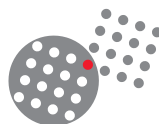
Plastic connector
> 500 hr salt spray

Leakage prevention when no cap ✓

IP68/69K mated / unmated

UV-resistant ✓

5 years of exposure without mechanical & visual degradation



SOURIAU
Connection Technology



UTS

Hi seal with PC tail contacts



Technical features

Mechanical

- **Housing & Backshell:** Thermoplastic UL94-V0
- **Insert:** Elastomer
- **Contacts:** Copper alloy - gold plated
Other platings on request
- **Endurance:** 250 mating/unmating
- **Vibrations:** Sinusoidal vibrations per CEI 60512-4 - from 10 to 2000 Hz
- **Thermal shock:** 5 cycles 30 min. from -40°C to 105°C per MIL-STD 1344 method 1003

Electrical

- **Current rating per contact max:**
 - Size 16: 13A
 - Size 20: 7.5A

- **Insulation resistance:**
≥ 5000 MΩ under 500Vcc at 25°C
- **Test potential:**
 - 1500 Veff between contacts size 20
 - 2300 Veff between contacts size 16 according to MIL-DTL-26482
- **Working voltage:**
 - 600 V - contacts size 20
 - 1000 V - contacts size 16 according to MIL-DTL-26482

Environmental

- **Temperature range:** -40°C to + 105°C
- **Salt spray resistance:** 500 hours
- **Sealing (mated/unmated):**
 - Dynamic IP68 - under water for 1 week, 1 bar
 - Dynamic IP69K per DIN 40050

- **UV resistance:**
No mechanical degradation or important variation of color after 5 years of exposure in natural environment (equivalence exposure to sun and moisture as per ISO4892)
- RoHS compliant & conform to the Chinese standard SJ/T1166-2006 (Chinese RoHS equivalent)



Ordering information

| | | | | | | | | | |
|--------------------|--|---|---|---|---|---|---|---|---|
| Connector family | UTS | 7 | - | 8 | D | 2 | P | - | - |
| Body variation | 7 Jam nut receptacle 0 Square flange receptacle | | | | | | | | |
| Backshell | No digit: No backshell | | | | | | | | |
| Shell size | 8, 10, 12, 14, 18 | | | | | | | | |
| Contact type | D = PC tail contacts | | | | | | | | |
| Insert arrangement | See next page | | | | | | | | |
| Contact gender | P = Pin contacts S = Socket contacts | | | | | | | | |
| Insert rotation | No digit = Normal W, X, Y, Z = Different orientations | | | | | | | | |
| Specification | No digit: Standard version 32: version with hold down clips (only for Jam nut receptacle) | | | | | | | | |

UTS

Hi seal with PC tail contacts



Contacts layouts

Size 8

| | | | | |
|---------------------------|---------------------------|---------------------------|---------------------------|---------------------------|
| 2 | 3 | 3A/98 | 4 | 33 |
| | | | | |
| Contacts : 2 Ø 1 (#20) | Contacts : 3 Ø 1 (#20) | Contacts : 3 Ø 1 (#20) | Contacts : 4 Ø 1 (#20) | Contacts : 3 Ø 1 (#20) |

Size 10

| | | |
|---------------------------|---------------------------|---------------------------|
| 6 | 7 | 98 |
| | | |
| Contacts : 6 Ø 1 (#20) | Contacts : 7 Ø 1 (#20) | Contacts : 6 Ø 1 (#20) |

Size 12

| | | | | |
|-----------------------------|-----------------------------|---------------------------|----------------------------|----------------------------|
| 2 | 3 | 8 | 10 | 14 |
| | | | | |
| Contacts : 2 Ø 1.6 (#16) | Contacts : 3 Ø 1.6 (#16) | Contacts : 8 Ø 1 (#20) | Contacts : 10 Ø 1 (#20) | Contacts : 14 Ø 1 (#20) |

Size 14

| | | |
|-----------------------------|--|---|
| 5 | 12 | 15 |
| | | |
| Contacts : 5 Ø 1.6 (#16) | Contacts : 8 Ø 1 (#20) 4 Ø 1.6 (#16) | Contacts : 14 Ø 1 (#20) 1 Ø 1.6 (#16) |
| 18 | 19 | |
| | | |
| Contacts : 18 Ø 1 (#20) | Contacts : 19 Ø 1 (#20) | |

Size 18*

| | |
|------------------------------|---|
| 11 | 30 |
| | |
| Contacts : 11 Ø 1.6 (#16) | Contacts : 29 Ø 1 (#20) 1 Ø 1.6 (#16) |
| 32 | |
| | |
| Contacts : 32 Ø 1 (#20) | |

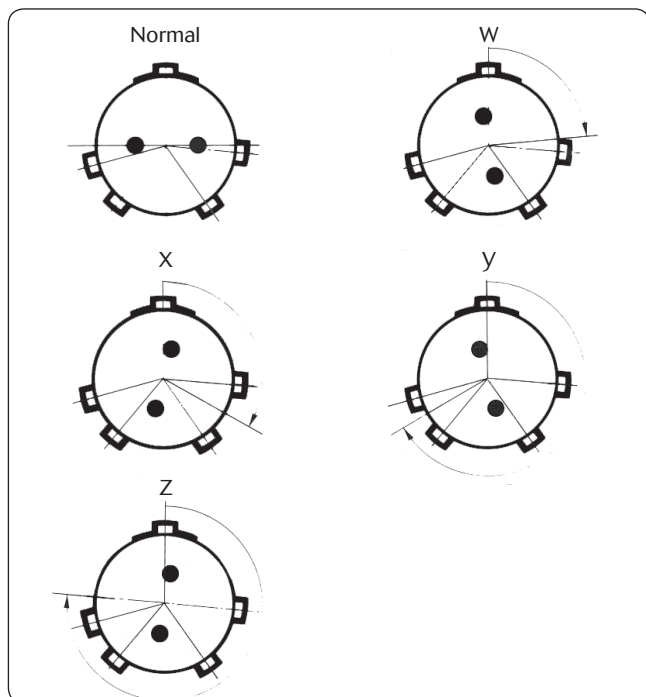
* Please consult factory

UTS

Hi seal with PC tail contacts



Insert orientation*



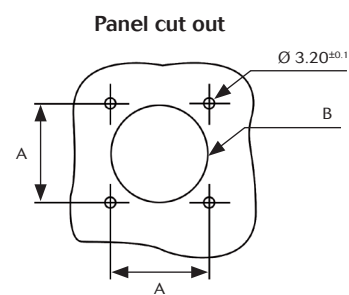
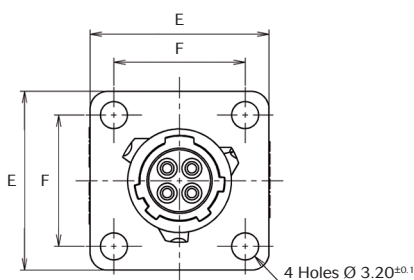
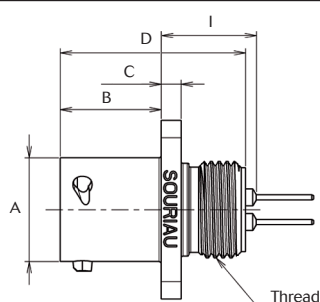
* Insert rotated in body (viewed from front face of male insert)

| Shell sizes | layouts | angle in degrees | | | |
|-------------|----------|------------------|-----|-----|-----|
| | | W | X | y | Z |
| 8 | 2 | 58 | 122 | - | - |
| | 3 | 60 | 210 | - | - |
| | 3A (98)* | 60 | 210 | - | - |
| | 4 | 45 | - | - | - |
| | 33 | 90 | - | - | - |
| 10 | 6 | 90 | - | - | - |
| | 7* | 90 | - | - | - |
| | 98 | 90 | 180 | 240 | 270 |
| 12 | 3 | - | - | 180 | - |
| | 8 | 90 | 112 | 203 | 292 |
| | 10 | 60 | 155 | 270 | 295 |
| | 2 | - | - | - | - |
| | 14* | 45 | - | - | - |
| 14 | 5 | 40 | 92 | 184 | 273 |
| | 12 | 43 | 90 | - | - |
| | 15 | 17 | 110 | 155 | 234 |
| | 18 | 15 | 90 | 180 | 270 |
| | 19 | 30 | 165 | 315 | - |
| 18 | 11 | 62 | 119 | 241 | 340 |
| | 32 | 85 | 138 | 222 | 265 |
| | 30 | 180 | 193 | 285 | 350 |

* 8-98 layout, W and X non standard orientations / 10-7 & 12-14 layouts, W non standard orientation

Range presentation

Square flange receptacle with PCB contacts



| Shell size | Ø A±0.15 | B max. | C±0.15 | D max. | E±0.25 | F±0.25 | I | | Thread | Panel cut out | |
|------------|-------------------|--------|--------|--------|--------|--------|---|---|--------------------|---------------|---------|
| | | | | | | | Male connector | Female connector | | A±0.25 | Ø B±0.1 |
| 8 | 11.9 | 11.7 | 2.3 | 21.5 | 21 | 15.1 | 9.76 / 11.86 ⁽¹⁾ 10.78 / 13.09 ⁽²⁾ | 9.55 / 11.71 ⁽¹⁾ 10.82 / 12.79 ⁽²⁾ | 7 / 16 28 UNEF-2A | 15.1 | 12.5 |
| 10 | 14.9 | | | | 23.8 | 18.3 | 10.98 / 13.39 | 10.82 / 12.79 | 9 / 16 24 UNEF-2A | 18.3 | 15.1 |
| 12 | 18.95 | | | | 26.2 | 20.6 | 9.76 / 11.86 ⁽³⁾ 10.98 / 13.39 | 9.55 / 11.71 ⁽³⁾ 10.82 / 12.79 | 11 / 16 24 UNEF-2A | 20.6 | 18.2 |
| 14 | 22.15 | | | | 28.6 | 23.0 | 10.98 / 13.39 | 10.82 / 12.79 | 13 / 16 20 UNEF-2A | 23.0 | 21.4 |
| 18 | Please consult us | | | | | | | | | | |

⁽¹⁾ for layouts 8-2, 8-3, 8-4 / ⁽²⁾ for layouts 8-3A, 8-89, 8-33 / ⁽³⁾ for layout 12-14

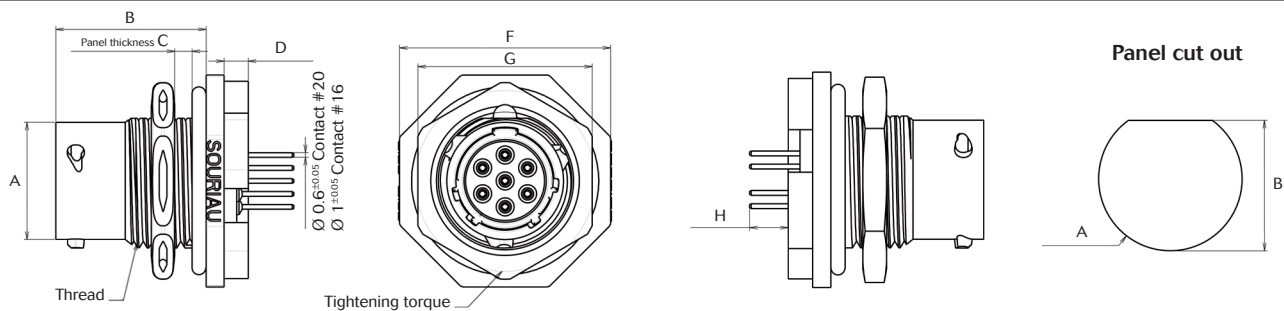
Note : all dimensions are in mm

UTS

Hi seal with PC tail contacts



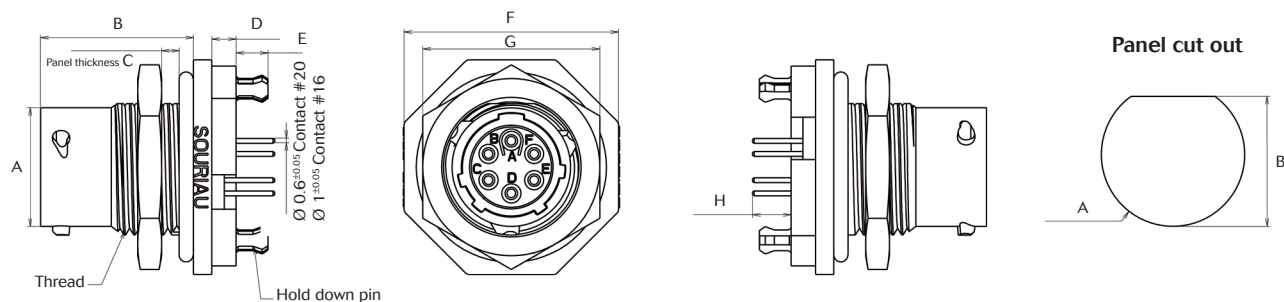
Jam nut receptacle with PCB contacts



| Shell size | Ø A ^{±0.15} | B max. | C max. Panel thickness | D max. | F | G | H | | Thread | Tightening torque (Nm) | Panel cut out | |
|------------|----------------------|--------|------------------------|--------|------|------|---|---|-------------------|------------------------|---------------------|-------------------|
| | | | | | | | Male connector | Female connector | | | Ø A ^{±0.2} | B ^{±0.2} |
| 8 | 12.0 | 19.3 | 3.2 | 3.4 | 24.0 | 19.3 | 3.8 / 6.0 ⁽¹⁾ 4.7 / 7.25 ⁽²⁾ | 3.75 / 5.8 ⁽¹⁾ 4.8 / 6.9 ⁽²⁾ | 9 / 16 24 UNEF 2A | 2 | 14.6 | 13.75 |
| 10 | 14.9 | | | | 28.0 | 22.2 | 4.8 / 7.28 | 4.91 / 6.96 | 9 / 16 24 UNEF 2A | 2 | 17.7 | 16.5 |
| 12 | 19.0 | | | | 31.8 | 27.0 | 4.8 / 7 ⁽³⁾ 3.85 / 5.9 ⁽⁴⁾ | 5.2 / 7 ⁽³⁾ 3.85 / 5.9 ⁽⁴⁾ | 7 / 8 20 UNEF 2A | 4 | 22.5 | 21.2 |
| 14 | 22.2 | | | | 34.9 | 30.2 | 4.8 / 7 | 5.3 / 7 | 1" 20 UNEF 2A | 5 | 25.7 | 24.3 |
| 18 | Please consult us | | | | | | | | | | | |

⁽¹⁾ for layouts 8-2, 8-3, 8-4 / ⁽²⁾ for layouts 8-3A, 8-98, 8-33 / ⁽³⁾ for layouts 12-3, 12-, 12-10 / ⁽⁴⁾ for layout 12-14

Jam nut receptacle with PCB contacts & hold on clips



| Shell size | Ø A ^{±0.15} | B max. | C max. Panel thickness | D max. | E ^{±0.2} | F | G | H | | Thread | Tightening torque (Nm) | Panel cut out | |
|------------|----------------------|--------|------------------------|--------|-------------------|------|------|---|---|-------------------|------------------------|---------------------|-------------------|
| | | | | | | | | Male connector | Female connector | | | Ø A ^{±0.2} | B ^{±0.2} |
| 8 | 12.0 | 19.3 | 3.2 | 3.4 | 4 | 24.0 | 19.3 | 3.8 / 6.0 ⁽¹⁾ 4.7 / 7.25 ⁽²⁾ | 3.75 / 5.8 ⁽¹⁾ 4.8 / 6.9 ⁽²⁾ | 9 / 16 24 UNEF 2A | 2 | 14.6 | 13.75 |
| 10 | 14.9 | | | | | 28.0 | 22.2 | 4.8 / 7.28 | 4.91 / 6.96 | 9 / 16 24 UNEF 2A | 2 | 17.7 | 16.5 |
| 12 | 19.0 | | | | | 31.8 | 27.0 | 4.8 / 7 ⁽³⁾ 3.85 / 5.9 ⁽⁴⁾ | 5.2 / 7 ⁽³⁾ 3.85 / 5.9 ⁽⁴⁾ | 7 / 8 20 UNEF 2A | 4 | 22.5 | 21.2 |
| 14 | 22.2 | | | | | 34.9 | 30.2 | 4.8 / 7 | 5.3 / 7 | 1" 20 UNEF 2A | 5 | 25.7 | 24.3 |
| 18 | Please consult us | | | | | | | | | | | | |

⁽¹⁾ for layouts 8-2, 8-3, 8-4 / ⁽²⁾ for layouts 8-3A, 8-98, 8-33 / ⁽³⁾ for layouts 12-3, 12-, 12-10 / ⁽⁴⁾ for layout 12-14

Note : all dimensions are in mm

UTS

Hi seal with PC tail contacts



Accessories

Jam nut sealing caps



| Part numbers | Shell size |
|--------------|------------|
| UTS8DCG | 8 |
| UTS10DCG | 10 |
| UTS12DCG | 12 |
| UTS14DCG | 14 |
| UTS18DCG | 18 |



Metal terminal*

| Part numbers | Shell size |
|--------------|------------|
| UTS8DCGR | 8 |
| UTS10DCGR | 10 |
| UTS12DCGR | 12 |
| UTS14DCGR | 14 |
| UTS18DCGR | 18 |

Square flange sealing cap



Metal terminal*

| Part numbers | Shell size |
|--------------|------------|
| UTS8DCGE | 8 |
| UTS10DCGE | 10 |
| UTS12DCGE | 12 |
| UTS14DCGE | 14 |
| UTS18DCGE | 18 |

Colour coding rings



| Part numbers | | Shell size |
|--------------|------------|------------|
| Receptacles | Plugs | |
| UTS710CCR* | UTS610CCR* | 10 |
| UTS712CCR* | UTS612CCR* | 12 |
| UTS714CCR* | UTS614CCR* | 14 |

* Add G for Green, Y for Yellow, R for Red
For shell sizes 8 & 18, please consult factory

Gasket



| Part numbers / neoprene | Shell size |
|-------------------------|------------|
| UTFD 11B | 8 |
| UTFD 12B | 10 |
| UTFD 13B | 12 |
| UTFD 14B | 14 |
| UTFD 16B | 18 |

Plastic protective cap



| Part numbers | | Shell size |
|----------------|-----------|------------|
| Receptacle cap | Plug cap | |
| 8500-5585A | 8500-5594 | 8 |
| 8500-5586A | 8500-5595 | 10 |
| 8500-5587A | 8500-5596 | 12 |
| 8500-5588A | 8500-5597 | 14 |
| 8500-5590A | 8500-5599 | 18 |

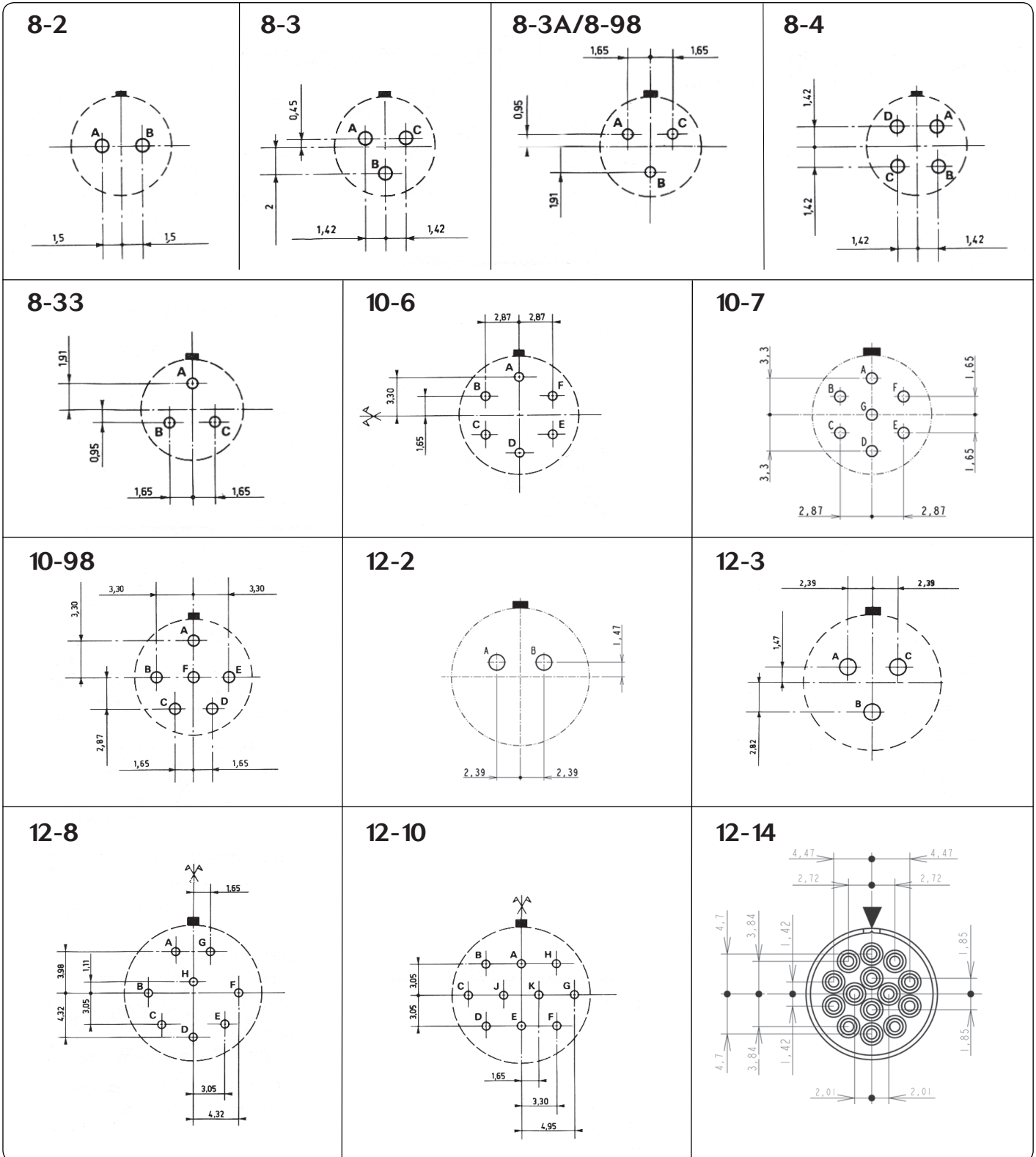
Note : all dimensions are in mm

UTS

Hi seal with PC tail contacts



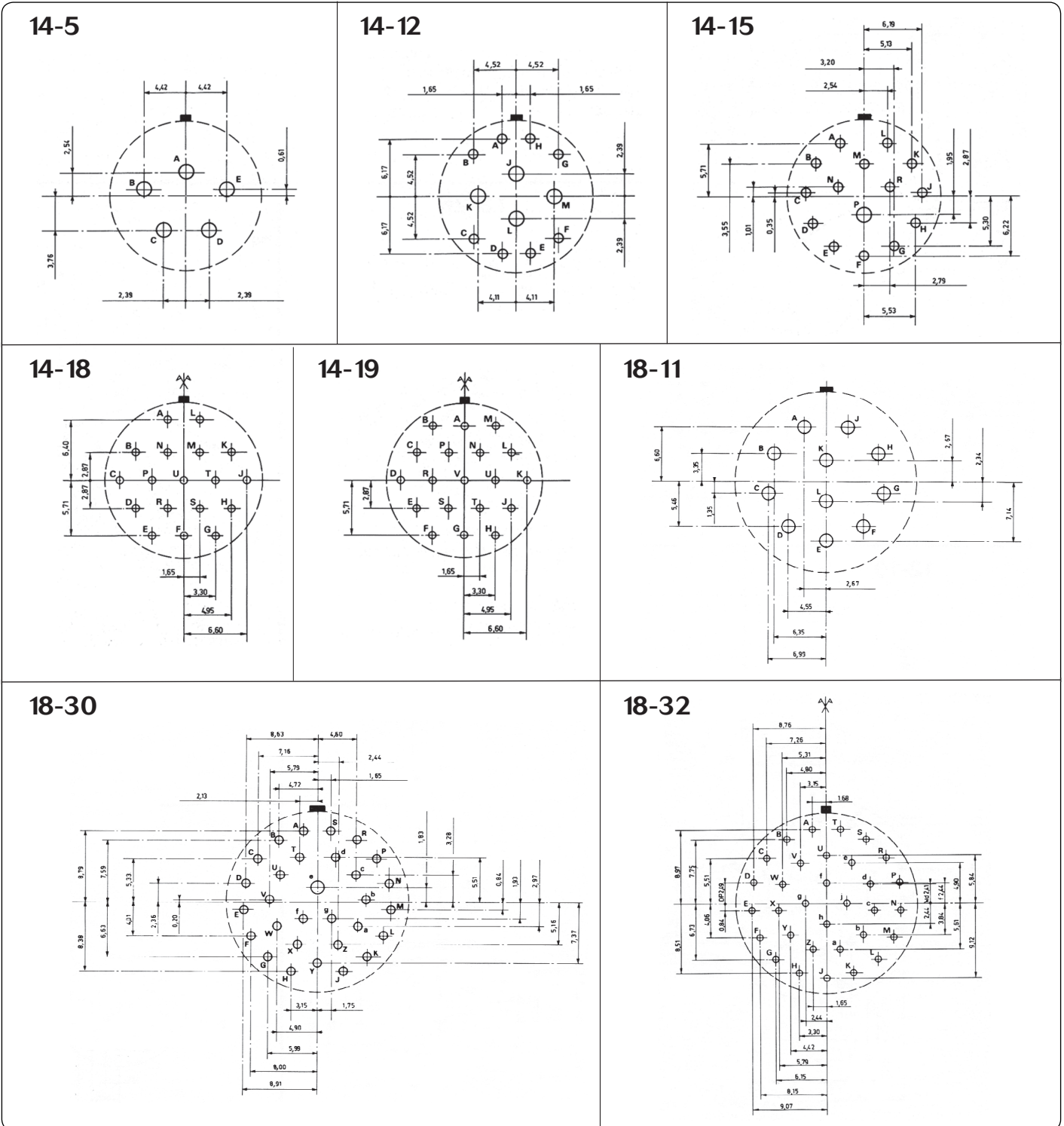
Drilling patterns



Note : all dimensions are in mm

UTS

Hi seal with PC tail contacts



Note : all dimensions are in mm

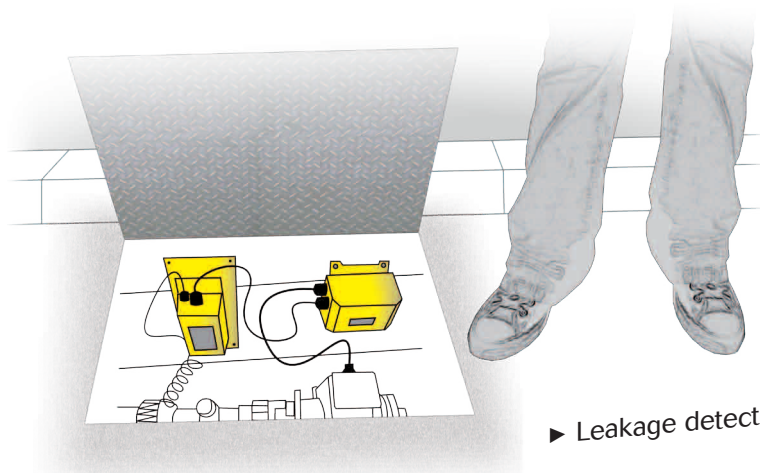
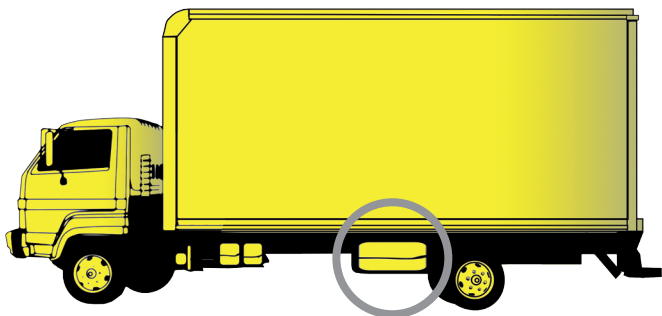
For further information, visit our website www.souriau-industrial.com
or contact us at contactindustry@souriau.com

UTS

Hi seal with PC tail contacts

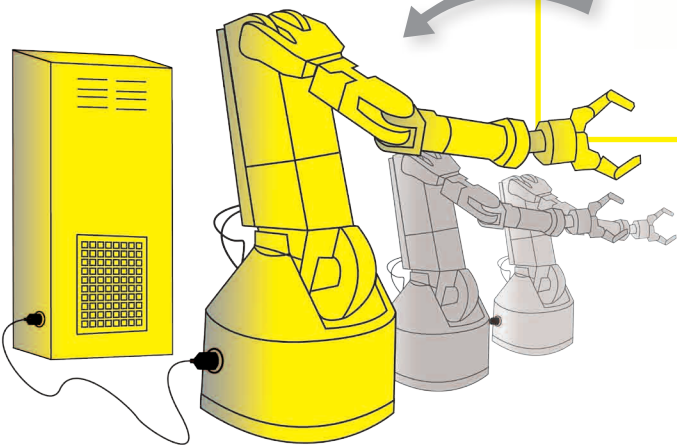


▶ Active steering system

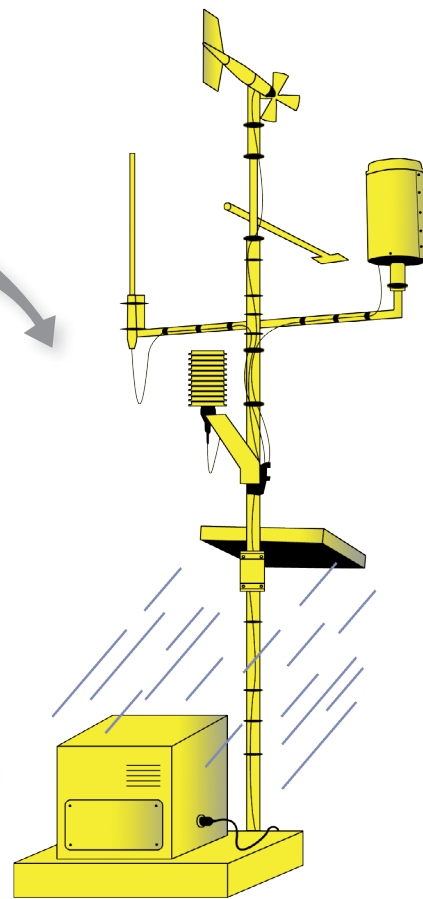
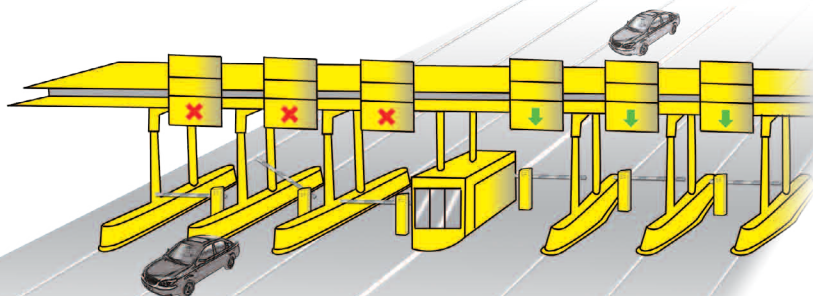


▶ Leakage detection

▶ Robot



▶ Road traffic management



▶ Outdoor weather station



SOURIAU
Connection Technology