

swissbit®

Product data sheet

Industrial SATA SSD 2.5"

X-200 Series

SATA II – 3.0Gb/s
up to UDMA6 / MDMA2 / PIO4

Standard and industrial
temperature grade

BU: Swissbit Group
Date: December 14, 2012
Revision: 1.40
File: X-200_data_sheet_SA-QxBR_Rev140.doc



X-200 SERIES – INDUSTRIAL SATA SOLID STATE DRIVE 2.5"

4GBYTE TO 128GBYTE

1 Feature summary

- Form factor:
 - 2.5-inch SATA Solid State Drive (SSD)
 - 100.2mm x 70.0mm x 9.0mm
 - Replacement of a standard SATA-compliant Hard Disk Drive
 - 7+15 pin (SATA+power) SATA connector
- Interface:
 - SATA Rev 2.6 – 3Gbit/s (1.5Gbit/s compatible)
- Highly-integrated memory controller
 - max. UDMA6 supported
 - max. PIO mode 4, MDMA2 supported
 - SLC NAND Flash
 - Hardware BCH-code ECC (8 Bit correction per sector for SLC)
 - fix drive configuration
- Low-power CMOS technology
- 5.0V ± 10% power supply (3.3V optional)
- Low Power, less than 500mA
- No mechanical noise
- Wear Leveling: active wear leveling of static and dynamic data
The wear leveling assures that dynamic data as well as static data is balanced evenly across the memory. With that the maximum write endurance of the device is guaranteed.
- High reliability
 - Best available SLC NAND Flash technology
 - MTBF > 2,500,000 hours
 - Data reliability: < 1 non-recoverable error per 10¹⁴ bits read
 - Number of connector insertions/removals: >1,000
- High performance
 - Up to 300MB/s burst transfer rate in SATA II – 3.0Gb/sec
 - Sustained Write performance: up to 95MB/s
 - Sustained Read Performance: up to 120MB/s
- Available densities
 - 4GByte up to 128GByte (SLC NAND Flash)
- S.M.A.R.T., HPA, Security and 48bit feature set
- 2 Temperature ranges
 - Commercial Temperature range 0 ... +70°C
 - Industrial Temperature range -40 ... +85°C
- Life Cycle Management
- Controlled BOM
- RoHS compatible



2 Contents

| | |
|--|-----------|
| 1 FEATURE SUMMARY | 2 |
| 2 CONTENTS | 3 |
| 3 ORDER INFORMATION | 5 |
| 3.1 AVAILABLE STANDARD PART NUMBERS | 5 |
| 3.2 OFFERED OEM OPTIONS | 5 |
| 4 PRODUCT SPECIFICATION | 6 |
| 4.1 PHYSICAL DESCRIPTION | 6 |
| 4.2 SYSTEM PERFORMANCE | 7 |
| 4.3 ENVIRONMENTAL SPECIFICATIONS | 8 |
| 4.4 PHYSICAL DIMENSIONS | 8 |
| 4.5 RELIABILITY | 8 |
| 4.6 DRIVE GEOMETRY / CHS PARAMETER | 8 |
| 5 ELECTRICAL INTERFACE | 9 |
| 5.1 ELECTRICAL DESCRIPTION | 9 |
| 5.2 ELECTRICAL SPECIFICATION | 10 |
| 6 ATA COMMAND DESCRIPTION | 11 |
| 6.1 CHECK POWER MODE (98H OR E5H) | 13 |
| 6.2 ERASE SECTOR(S) (C0H) | 13 |
| 6.3 EXECUTE DRIVE DIAGNOSTIC (90H) | 13 |
| 6.4 FLUSH CACHE (E7H) | 14 |
| 6.5 IDENTIFY DEVICE (ECh) | 14 |
| 6.6 IDLE (97H OR E3H) | 21 |
| 6.7 IDLE IMMEDIATE (95H OR E1H) | 21 |
| 6.8 NOP (00H) | 21 |
| 6.9 READ BUFFER (E4H) | 22 |
| 6.10 READ DMA (C8H) | 22 |
| 6.11 READ MULTIPLE (C4H) | 22 |
| 6.12 READ NATIVE MAX ADDRESS (F8H) | 23 |
| 6.13 READ SECTOR(S) (20H) | 24 |
| 6.14 READ VERIFY SECTOR(S) (40H OR 41H) | 24 |
| 6.15 REQUEST SENSE (03H) | 24 |
| 6.16 SECURITY DISABLE PASSWORD (F6H) | 25 |
| 6.17 SECURITY ERASE PREPARE (F3H) | 25 |
| 6.18 SECURITY ERASE UNIT (F4H) | 26 |
| 6.19 SECURITY FREEZE LOCK (F5H) | 26 |
| 6.20 SECURITY SET PASSWORD (F1H) | 27 |
| 6.21 SECURITY UNLOCK (F2H) | 28 |
| 6.22 SET FEATURES (EFH) | 28 |
| 6.23 SET MAX ADDRESS (F9H) | 30 |
| 6.24 SET MULTIPLE MODE (C6H) | 31 |
| 6.25 SLEEP (99H OR E6) | 31 |
| 6.26 S.M.A.R.T. (B0H) | 32 |
| 6.27 STANDBY (96H OR E2) | 32 |
| 6.28 STANDBY IMMEDIATE (94H OR E0H) | 32 |
| 6.29 TRANSLATE SECTOR (87H) | 33 |
| 6.30 WRITE BUFFER (E8H) | 33 |
| 6.31 WRITE DMA (CAH) | 33 |
| 6.32 WRITE MULTIPLE COMMAND (C5H) | 34 |
| 6.33 WRITE MULTIPLE WITHOUT ERASE (CDH) | 34 |
| 6.34 WRITE SECTOR(S) (30H) | 35 |
| 6.35 WRITE SECTOR(S) WITHOUT ERASE (38H) | 35 |
| 7 S.M.A.R.T. FUNCTIONALITY | 36 |
| 7.1 S.M.A.R.T. ENABLE / DISABLE OPERATIONS | 36 |

| | |
|--|-----------|
| 7.2 S.M.A.R.T. RETURN STATUS | 36 |
| 7.3 S.M.A.R.T. ENABLE / DISABLE ATTRIBUTE AUTOSAVE | 37 |
| 7.4 S.M.A.R.T. SAVE ATTRIBUTE VALUES | 37 |
| 7.5 S.M.A.R.T. EXECUTE OFF-LINE IMMEDIATE | 37 |
| 7.6 S.M.A.R.T. READ DATA..... | 37 |
| 8 PACKAGE MECHANICAL | 40 |
| 9 DECLARATION OF CONFORMITY | 42 |
| 10 ROHS AND WEEE UPDATE FROM SWISSBIT | 43 |
| 11 PART NUMBER DECODER..... | 45 |
| 11.1 MANUFACTURER | 45 |
| 11.2 MEMORY TYPE..... | 45 |
| 11.3 PRODUCT TYPE..... | 45 |
| 11.4 DENSITY | 45 |
| 11.5 PLATFORM | 45 |
| 11.6 PRODUCT GENERATION | 45 |
| 11.7 MEMORY ORGANIZATION..... | 45 |
| 11.8 TECHNOLOGY..... | 45 |
| 11.9 NUMBER OF FLASH CHIP | 45 |
| 11.10 FLASH CODE | 45 |
| 11.11 TEMP. OPTION | 46 |
| 11.12 DIE CLASSIFICATION..... | 46 |
| 11.13 PIN MODE..... | 46 |
| 11.14 DRIVE CONFIGURATION XYZ | 46 |
| 11.15 OPTION..... | 46 |
| 12 SWISSBIT SSD MARKING SPECIFICATION..... | 47 |
| 12.1 TOP VIEW..... | 47 |
| 13 REVISION HISTORY | 48 |

3 Order Information

3.1 Available Standard part numbers

FIX / SATA III/ PIO4, MDMA2, UDMA6 / 0°C to 70°C

| Density | Part Number |
|---------|------------------------------|
| 4GB | SFSA4096QxBR4TO-C-MS-2y6-STD |
| 8GB | SFSA8192QxBR4TO-C-DT-2y6-STD |
| 16GB | SFSA16GBQxBR8TO-C-DT-2y6-STD |
| 32GB | SFSA32GBQxBR8TO-C-QT-2y6-STD |
| 64GB | SFSA64GBQxBR8TO-C-NC-2y6-STD |
| 128GB | SFSA128GQxBR8MT-C-QT-2y6-STD |

Table 1: Commercial temperature product list

x= depends on product generation, y= depends on firmware generation

FIX / SATA III/ PIO4, MDMA2, UDMA6 / -40°C to +85°C

| Density | Part Number |
|---------|------------------------------|
| 4GB | SFSA4096QxBR4TO-I-MS-2y6-STD |
| 8GB | SFSA8192QxBR4TO-I-DT-2y6-STD |
| 16GB | SFSA16GBQxBR8TO-I-DT-2y6-STD |
| 32GB | SFSA32GBQxBR8TO-I-QT-2y6-STD |
| 64GB | SFSA64GBQxBR8TO-I-NC-2y6-STD |
| 128GB | SFSA128GQxBR8MT-I-QT-2y6-STD |

Table 2: Industrial temperature product list

x= depends on product generation, y= depends on firmware generation

3.2 Offered OEM options

- Customer specified drive size and drive geometry (C/H/S – cylinder/head/sector)
- Customer specified drive ID (Strings)
- Preload service (also drive images with any file system)
- ...

4 Product Specification

The Solid State Drive (SSD) is a small form factor (2.5") non-volatile memory drive which provides high capacity data storage. It has a standard combined connector with SATA and power/control part. The card works at a supply voltage of 5V.

The drive with the SATA interface operates in Mode 2.0 (1.5 or 3.0 Gb/s burst).

The drive has an internal **intelligent controller** which manages interface protocols, data storage and retrieval as well as hardware BCH-code **Error Correction Code (ECC), defect handling, diagnostics and clock control.**

The **wear leveling** mechanism assures an equal usage of the Flash memory cells to extend the life time.

The hardware BCH-code ECC allows to detect and correct **8 random bits per 528 Bytes.**

The drive has a **voltage detector** and a powerful **power-loss management feature** to prevent data corruption after power-down.

The specification has been realized and approved by the ATA/ATAPI-7 specification.

The system highlights are shown in Table 3 ...Table 10.

Related Documentation

- Serial Transport Protocols and Physical Interconnect (ATA/ATAPI-7)
- AT Attachment Interface Document, American National Standards Institute, X3.221-1994

4.1 Physical description

The SSD contains a flash controller and Flash memory modules. The controller interfaces with a host system allowing data to be written to and read from the Flash memory modules.

The SSD is offered in a 2.5" size package with a standard SATA connector. Figure 1 and Figure 2 (page 40) show SSD dimensions and connector location.

4.2 System Performance

Table 3: System Performance (measured) UDMA5

| System Performance | | Typ. | Max. | Unit |
|--|----------|------------------------|------|------|
| Data transfer Rate (SATA burst (1.5 or 3.0Gb/s)) | | 150 or 300 | 300 | |
| Sustained Sequential Read 128kB Block size | 4GB | 100 ⁽¹⁾ | 110 | MB/s |
| | 8...16GB | 110 ⁽¹⁾ | 120 | |
| | 32GB | 93 ⁽¹⁾ | 100 | |
| | 64GB | 87 ⁽¹⁾ | 95 | |
| | 128GB | 113 ⁽²⁾ | 125 | |
| Sustained Sequential Write 128kB Block size | 4GB | 46 ⁽¹⁾ | 47 | |
| | 8...16GB | 87 ⁽¹⁾ | 95 | |
| | 32GB | 76 ⁽¹⁾ | 90 | |
| | 64GB | 72 ⁽¹⁾ | 85 | |
| | 128GB | 93 ⁽²⁾ | 100 | |
| Sustained Sequential Read 4kB Block size | 4GB | 27 ⁽¹⁾ | 28 | MB/s |
| | 8...16GB | 28 ⁽¹⁾ | 30 | |
| | 32GB | 25 ⁽¹⁾ | 28 | |
| | 64GB | 23 ⁽¹⁾ | 26 | |
| | 128GB | 28 ⁽²⁾ | 30 | |
| Sustained Sequential Write 4kB Block size | 4GB | 20 ⁽¹⁾ | 22 | |
| | 8...16GB | 21 ⁽¹⁾ | 23 | |
| | 32GB | 19 ⁽¹⁾ | 21 | |
| | 64GB | 17 ⁽¹⁾ | 19 | |
| | 128GB | 20 ⁽²⁾ | 22 | |
| Sustained Random Read 4kB Block size | 4...8GB | 11 ⁽¹⁾ | 12 | MB/s |
| | 16GB | 9 ⁽¹⁾ | 11 | |
| | 32GB | 5.5 ⁽¹⁾ | 7 | |
| | 64GB | 5.0 ⁽¹⁾ | 7 | |
| | 128GB | 7.8 ⁽²⁾ | 9 | |
| Sustained Random Write 4kB Block size | 4GB | 0.06 ⁽¹⁾⁽³⁾ | 0.09 | |
| | 8...16GB | 0.05 ⁽¹⁾⁽³⁾ | 0.08 | |
| | 32GB | 0.05 ⁽¹⁾⁽³⁾ | 0.08 | |
| | 64GB | 0.05 ⁽¹⁾⁽³⁾ | 0.08 | |
| | 128GB | 0.03 ⁽²⁾⁽³⁾ | 0.04 | |

1. All values refer to Toshiba Flash chips (see part number) in UDMA5 mode (SATA 3.0Gbit/s) with Sequential write/read test (256 sectors multiple commands) and sequential and random write/read test (8 sectors multiple commands). Sustained Speed depends on flash type and number, file/cluster size, and burst speed.
2. All values refer to Micron Flash chips (see part number) in UDMA5 mode (SATA 3.0Gbit/s) with Sequential write/read test (256 sectors multiple commands) and sequential and random write/read test (8 sectors multiple commands). Sustained Speed depends on flash type and number, file/cluster size, and burst speed
3. The typical random write speed values are really random access across the whole drive. Random write values in file systems are much larger.

4.3 Environmental Specifications

4.3.1 Recommended Operating Conditions

Table 4: Recommended Operating Conditions

| Parameter | Value |
|----------------------------------|---------------|
| Commercial Operating Temperature | 0°C to 70°C |
| Industrial Operating Temperature | -40°C to 85°C |
| Power Supply VCC Voltage | 4.5V to 5.5V |

Table 5: Current consumption (1)

| Current Consumption (type) | 5.0V | Unit |
|----------------------------|---------|------|
| Read (typ/max) | 260/320 | mA |
| Write (typ/max) | 260/310 | |
| Sleep/Idle Mode (typ/max) | 120/140 | |

1. All values are typical at 25° C and nominal supply voltage and refer to SATAII performance test random pattern for a 64GByte SSD.

4.3.2 Recommended Storage Conditions

Table 6: Recommended Storage Conditions

| Parameter | Value |
|--------------------------------|----------------|
| Commercial Storage Temperature | -50°C to 100°C |
| Industrial Storage Temperature | -50°C to 100°C |

4.3.3 Shock, Vibration, and Humidity

Table 7: Shock, Vibration, and Humidity

| Parameter | Value |
|---------------------------|---|
| Humidity (non-condensing) | 85% RH 85°C, 1000 hrs (JEDEC JESD22, method A101-B) |
| Vibration | 20G Peak, 10...2000Hz |
| Shock | 1500G, 0.5ms duration, half sine wave |

4.4 Physical Dimensions

Table 8: Physical Dimensions

| Physical Dimensions | | Unit |
|---------------------|------------|------|
| Length | 100.20±0.2 | mm |
| Width | 69.85±0.2 | |
| Thickness | 9.00±0.1 | |
| Weight (typ.) | 90 | g |

4.5 Reliability

Table 9: System Reliability and Maintenance (1)

| Parameter | Value |
|---------------------|--|
| MTBF (at 25°C) | > 2,500,000 hours |
| Insertions/Removals | > 1,000 |
| Data Reliability | < 1 Non-Recoverable Error per 10 ¹⁴ bits Read |
| Data Retention | 10 years (JESD47) |

1. Dependent on final system qualification data.

4.6 Drive geometry / CHS parameter

Table 10: SSD density specification

| Density | Default cylinders | Default heads | Default sectors | Sectors drive | Total addressable Bytes | Remark |
|---------|-------------------|---------------|-----------------|----------------------------|----------------------------------|------------------------------|
| 4GB | 7,732 | 16 | 63 | 7,793,856 | 3,990,454,272 | |
| 8GB | 15,498 | 16 | 63 | 15,621,984 | 7,998,455,808 | |
| 16GB | 16,383*) | 16 | 63 | 31,277,056 | 16,013,852,672 | |
| 32GB | 16,383*) | 16 | 63 | 62,586,880 | 32,044,482,560 | |
| 64GB | 16,383*) | 16 | 63 | 125'304'832 125'313'024 | 64'156'073'984 64'160'268'288 | Firmware "1" Firmware "2" |
| 128 GB | 16,383*) | 16 | 63 | 250'626'048 | 128'320'536'576 | |

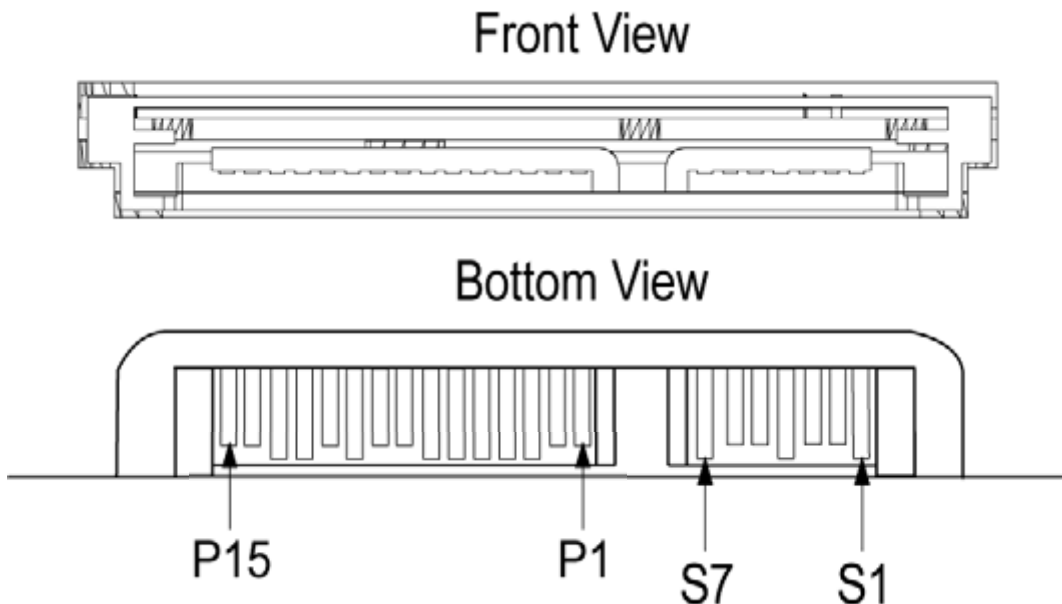
*) The CHS access is limited to about 8GB. Above 8GB the drive must be addressed in LBA mode.

5 Electrical interface

5.1 Electrical description

The SSD is connected with a standard 7 pin SATA connector and a standard 15 pin SATA power connector.

The signal/pin assignments and descriptions are listed in Table 11



The signal/pin assignments and descriptions are listed in Table 11.

Table 11: Pin Assignment, name, and description

| Pin | Signal Name | Description |
|-----------|-------------|----------------------------------|
| S1 | Ground | Signal Ground |
| S2 | A+ | + Differential Receive signal |
| S3 | A- | - Differential Receive signal |
| S4 | Ground | Signal Ground |
| S5 | B- | - Differential Transmit signal |
| S6 | B+ | + Differential Transmit signal |
| S7 | Ground | Signal Ground |
| | | |
| P1...P3 | 3.3V | 3.3V power (optional on request) |
| P4...P6 | Ground | Power Ground |
| P7 | 5V | 5V precharge |
| P8...P9 | 5V | 5V power |
| P10 | Ground | Power Ground |
| P11 | Reserved | (not used) |
| P12 | Ground | Power Ground |
| P13...P15 | 12V | 12V power(not used) |

5.2 Electrical Specification

Table 12 and Table 13 define the DC Characteristics of the SSD. Unless otherwise stated, conditions are:

- $V_{CC} = 5.0V \pm 10\%$
- $0^{\circ}C$ to $+70^{\circ}C$

The current is measured by connecting an amp meter in series with the Vcc supply. The meter should be set to the 2A scale range, and have a fast current probe with an RC filter with a time constant of 0.1ms. Current measurements are taken while looping on a data transfer command with a sector count of 128. Current consumption values for both read and write commands are not to exceed the Maximum Average RMS Current specified in Table 13.

Table 12: Absolute Maximum Conditions

| Parameter | Symbol | Conditions |
|-------------|--------|---------------|
| Input Power | VCC | -0.3V to 6.5V |

Table 13: Input Power write and read

| Mode | Maximum Average RMS Current | Conditions |
|-------------------|-----------------------------|------------|
| SATA II (3.0Gb/s) | 310mA | 5V |
| SATA I (1.5Gb/s) | 240mA | |
| Idle | 120mA | |

6 ATA command description

This section provides information on the ATA commands supported by the SSD. The commands are issued to the ATA by loading the required registers in the command block with the supplied parameter, and then writing the command code to the register.

ATA Command Flow

| | |
|-----------------------------|---|
| DDMAIo: DMA_in State | This state is activated when the device receives a DMA data-in command or the transmission of one or more data FIS is required to complete the command. When in this state, the device shall prepare the data for transfer of a data FIS to the host. |
| Transition DDMAIo:1 | When the device has the data ready to transfer a data FIS, the device shall transition to the DDMAI1: Send_data state. |
| Transition DDMAIo:2 | When the device has transferred all of the data requested by this command or has encountered an error that causes the command to abort before completing the transfer of the requested data, then the device shall transition to the DDMAI2: Send_status state. |
| DDMAI1: Send_data | This state is activated when the device has the data ready to transfer a data FIS to the host. When in this state, the device shall request that the Transport layer transmit a data FIS containing the data. The device command layer shall request a Data FIS size of no more than 2,048 Dwords (8KB). |
| Transition DDMAI1:1 | When the data FIS has been transferred, the device shall transition to the DMAIo: DMA_in state. |
| DDMAI2: Send_status | This state is activated when the device has transferred all of the data requested by the command or has encountered an error that causes the command to abort before completing the transfer of the requested data. When in this state, the device shall request that the Transport layer transmit a Register FIS with the register content as described in the command description in the ATA/ATAPI-6 standard and the I bit set to one. |
| Transition DDMAI2:1 | When the FIS has been transmitted, the device shall transition to the DIo: Device_idle state. |

For reasons of backward compatibility some commands are implemented as 'no operation' NOP. Table 14 summarizes the Drive command set with the paragraphs that follow describing the individual commands and the task file for each.

Table 14: ATA Command Set⁽¹⁾

| Command | Code | FR | SC | SN | CY | DH | LBA |
|-------------------------------------|------------|----|----|----|----|----|-----|
| Check Power Mode | E5h or 98h | | | | | D | |
| Erase Sector(s) (CFA) | C0h | | Y | Y | Y | Y | Y |
| Execute Drive Diagnostic | 90h | | | | | D | |
| Flush cache | E7h | | | | | D | |
| Identify Drive | ECh | | | | | D | |
| Idle | E3h or 97h | | Y | | | D | |
| Idle Immediate | E1h or 95h | | | | | D | |
| NOP | 00h | | | | | D | |
| Read Buffer | E4h | | | | | D | |
| Read DMA | C8 | | Y | Y | Y | Y | Y |
| Read Multiple | C4h | | Y | Y | Y | Y | Y |
| Read native max address | F8h | | | | | D | |
| Read Sector(s) | 20h | | Y | Y | Y | Y | Y |
| Read Verify Sector(s) | 40h or 41h | | Y | Y | Y | Y | Y |
| Request Sense (CFA) | 03h | | | | | D | |
| Security Disable Password | F6h | | | | | D | |
| Security Erase Prepare | F3h | | | | | D | |
| Security Erase Unit | F4h | | | | | D | |
| Security Freeze Lock | F5h | | | | | D | |
| Security Set Password | F1h | | | | | D | |
| Security Unlock | F2h | | | | | D | |
| Set Features | EFh | Y | | | | D | |
| Set max address (with set password) | F9h | | Y | Y | Y | Y | Y |
| Set Multiple Mode | C6h | | Y | | | D | |
| Sleep | E6h or 99h | | | | | D | |
| S.M.A.R.T. | B0h | Y | Y | | Y | D | |
| Standby | E2h or 96h | | | | | D | |
| Standby Immediate | E0h or 94h | | | | | D | |
| Translate Sector (CFA) | 87h | | Y | Y | Y | Y | Y |
| Write Buffer | E8h | | | | | D | |
| Write DMA | CA | | Y | Y | Y | Y | Y |
| Write Multiple | C5h | | Y | Y | Y | Y | Y |
| Write Multiple w/o Erase (CFA) | CDh | | Y | Y | Y | Y | Y |
| Write Sector(s) | 30h | | Y | Y | Y | Y | Y |
| Write Sector(s) w/o Erase (CFA) | 38h | | Y | Y | Y | Y | Y |

- FR = Features Register, SC = Sector Count Register, SN = Sector Number Register, CY = Cylinder Registers, DH = Drive/Head Register, LBA = Logical Block Address Mode Supported (see command descriptions for use), Y – The register contains a valid parameter for this command. For the Drive/Head Register Y means both the Drive and head parameters are used. D – only the Drive parameter is valid and not the head parameter C – the register contains command specific data (see command descriptors for use).

6.1 Check Power Mode (98h or E5h)

This command checks the power mode.

Issuing the command while the Drive is in Standby mode, is about to enter Standby, or is exiting Standby, the command will set BSY, set the Sector Count Register to 00h, clear BSY and generate an interrupt.

Issuing the command when the Drive is in Idle mode will set BSY, set the Sector Count Register to FFh, clear BSY and generate an interrupt.

Table 15 defines the Byte sequence of the Check Power Mode command.

Table 15: Check Power Mode

| Task File Register | 7 | 6 | 5 | 4 | 3 | 2 | 1 | 0 |
|--------------------|------------|----|----|---|----|---|---|---|
| COMMAND | 98h or E5h | | | | | | | |
| DRIVE/HEAD | nu | nu | nu | D | nu | | | |
| CYLINDER HI | nu | | | | | | | |
| CYLINDER LOW | nu | | | | | | | |
| SECTOR NUM | nu | | | | | | | |
| SECTOR COUNT | nu | | | | | | | |
| FEATURES | nu | | | | | | | |

6.2 Erase Sector(s) (Coh)

This command is used to pre-erase and condition data sectors prior to a Write Sector without Erase command or a Write Multiple Without Erase command. There is no data transfer associated with this command but a Write Fault error status can occur. Table 16 defines the Byte sequence of the Erase Sector command.

Table 16: Erase Sector(s)

| Task File Register | 7 | 6 | 5 | 4 | 3 | 2 | 1 | 0 |
|--------------------|---|---|----|---|---|---|---|---|
| COMMAND | Coh | | | | | | | |
| DRIVE/HEAD | nu | L | nu | D | H[3:0] or LBA[27:24] of the starting sector/LBA | | | |
| CYLINDER HI | Cylinder[15:8] or LBA[23:16] of the first sector/LBA to erase | | | | | | | |
| CYLINDER LOW | Cylinder[7:0] or LBA[15:8] of the first sector/LBA to erase | | | | | | | |
| SECTOR NUM | Sector[7:0] or LBA[7:0] of the first sector/LBA to erase | | | | | | | |
| SECTOR COUNT | The number of sectors/logical blocks to erase | | | | | | | |
| FEATURES | nu | | | | | | | |

6.3 Execute Drive Diagnostic (90h)

This command performs the internal diagnostic tests implemented by the Drive.

The Drive bit is ignored and the diagnostic command is executed by both the Master and the Slave with the Master responding with the status for both devices.

Table 17 defines the Execute Drive Diagnostic command Byte sequence. The Diagnostic codes shown in Table 18 are returned in the Error Register at the end of the command.

Table 17: Execute Drive Diagnostic

| Task File Register | 7 | 6 | 5 | 4 | 3 | 2 | 1 | 0 |
|--------------------|-----|----|----|---|----|---|---|---|
| COMMAND | 90h | | | | | | | |
| DRIVE/HEAD | nu | nu | nu | D | nu | | | |
| CYLINDER HI | nu | | | | | | | |
| CYLINDER LOW | nu | | | | | | | |
| SECTOR NUM | nu | | | | | | | |
| SECTOR COUNT | nu | | | | | | | |
| FEATURES | nu | | | | | | | |

Table 18: Diagnostic Codes

| Code | Error Type |
|------|----------------------------------|
| 01h | No Error Detected |
| 02h | Formatter Device Error |
| 03h | Sector Buffer Error |
| 04h | ECC Circuitry Error |
| 05h | Controlling Microprocessor Error |

6.4 Flush Cache (E7h)

This command causes the drive to complete writing data from its cache. The drive returns status with RDY=1 and DSC=1 after the data in the write cache buffer is written to the media. If the drive does not support the Flush Cache command, the drive shall return command aborted.

Table 19: Flush Cache

| Task File Register | 7 | 6 | 5 | 4 | 3 | 2 | 1 | 0 |
|--------------------|-----|----|----|---|----|---|---|---|
| COMMAND | E7h | | | | | | | |
| DRIVE/HEAD | nu | nu | nu | D | nu | | | |
| CYLINDER HI | | | | | nu | | | |
| CYLINDER LOW | | | | | nu | | | |
| SECTOR NUM | | | | | nu | | | |
| SECTOR COUNT | | | | | nu | | | |
| FEATURES | | | | | nu | | | |

6.5 Identify Device (ECh)

The Identify Device command enables the host to receive parameter information from the Drive. This command has the same protocol as the Read Sector(s) command. Table 20 defines the Identify Device command Byte sequence. All reserved bits or Words are zero. shows the definition of each field in the Identify Drive Information.

Table 20: Identify Device

| Task File Register | 7 | 6 | 5 | 4 | 3 | 2 | 1 | 0 |
|--------------------|-----|----|----|---|----|---|---|---|
| COMMAND | ECh | | | | | | | |
| DRIVE/HEAD | nu | nu | nu | D | nu | | | |
| CYLINDER HI | | | | | nu | | | |
| CYLINDER LOW | | | | | nu | | | |
| SECTOR NUM | | | | | nu | | | |
| SECTOR COUNT | | | | | nu | | | |
| FEATURES | | | | | nu | | | |

Table 21: Identify Device Information

| Word Address | Default Value | Total Bytes | Data Field Type Information |
|--------------|--------------------------------|-------------|--|
| 0 | 044Ah* | 2 | Standard Configuration FIX (optional 848Ah for removable) |
| 1 | XXXXh | 2 | Default number of cylinders (obsolete) |
| 2 | 0000h | 2 | Reserved |
| 3 | 00XXh | 2 | Default number of heads (obsolete) |
| 4 | 0000h | 2 | Obsolete |
| 5 | XXXXh | 2 | Obsolete |
| 6 | XXXXh | 2 | Default number of sectors per track (obsolete) |
| 7-8 | XXXXh | 4 | Number of sectors per Drive (Word 7 = MSW, Word 8 = LSW) |
| 9 | 0000h | 2 | Obsolete |
| 10-19 | aaaa | 20 | Serial number in ASCII (right justified) |
| 20 | 0002h | 2 | Buffer type (dual ported multi-sector) retired |
| 21 | 0002h* | 2 | Buffer Size in 512byte increment (obsolete) |
| 22 | 000Xh | 2 | Reserved |
| 23-26 | YYYY* | 8 | Firmware revision in ASCII. Big Endian Byte Order in Word |
| 27-46 | YYYY* | 40 | Model number in ASCII (right justified ("SFSAxxxxQxBRxxx-x-xx-xxx-xxx")) |
| 47 | 8001h | 2 | Maximum number of sectors on Read/Write Multiple command |
| 48 | 0000h | 2 | Double word not supported |
| 49 | oF0oh* oE0oh* | 2 | Capabilities with DMA, LBA, IORDY supported without DMA LBA, IORDY supported |
| 50 | 4000h | 2 | Capabilities |
| 51 | 0200h | 2 | PIO data transfer cycle timing mode 2 |
| 52 | 0000h | 2 | Obsolete |
| 53 | 0007h* | 2 | Field validity (Bytes 54-58, 64-70, 88) |
| 54 | XXXXh | 2 | Current numbers of cylinders (obsolete) |
| 55 | XXXXh | 2 | Current numbers of heads (obsolete) |
| 56 | XXXXh | 2 | Current sectors per track (obsolete) |
| 57-58 | XXXXh | 4 | Current capacity in sectors (LBAs)(Word 57 = LSW, Word 58 = MSW) (obsolete) |
| 59 | 010Xh* | 2 | Multiple sector setting (can be changed by host). |
| 60-61 | XXXXh | 4 | Total number of sectors addressable in LBA Mode |
| 62 | 0000h | 2 | Obsolete |
| 63 | 0007h* 0000h* | 2 | Multi-Word DMA transfer support and selection (can be changed by host). no multi-word DMA |
| 64 | 0003h | 2 | Advanced PIO modes 3 and 4 supported |
| 65 | 0078h* | 2 | Minimum Multi-Word DMA transfer cycle time per Word. |
| 66 | 0078h* | 2 | Recommended Multi-Word DMA transfer cycle time. |
| 67 | 0078h* | 2 | Minimum PIO transfer cycle time without flow control |
| 68 | 0078h* | 2 | Minimum PIO transfer cycle time with IORDY flow control |
| 69-75 | 0000h | 14 | Reserved |
| 76 | 0006h | 2 | SATA Capabilities |
| 77 | 0000h | 2 | Reserved |
| 78 | 0008h | 2 | SATA Feature support |
| 79 | 0000h* | 2 | SATA Features enabled (can be changed by host) |
| 80-81 | 0080h 0000h | 4 | ATA/ATAPI version 7 |
| 82 -84 | 742Bh* 5500h* 4002h* | 6 | Features/command sets supported |
| 85-87 | 7429h* 1400h* 4002h* | 6 | Features/command sets enabled (can change in operation) |
| 88 | 207F* | 2 | UDMA Mode Supported 0,1,2,3,4,5,6 and Selected 5 (changes in operation) |
| 89 | 0003* | 2 | Time for security erase unit completion (e.g. 6 minutes) |
| 90-91 | 0000h* | 4 | Reserved |
| 92 | FFFE* | 2 | Master Password Revision Code |
| 93-127 | 0000h* | 70 | Reserved |
| 128 | 0001h* | 2 | Security Status (changes in operation) |
| 129-159 | XXXXh | 62 | Vendor specific (e.g. "Swissbit SSD") |
| 160 | 0000h* | 2 | Max. current |
| 161-216 | 0000h | 112 | Reserved |
| 217 | 0001h* | 2 | Nominal Media Rotation Rate: Solid State Device |
| 218-255 | 0000h | 76 | Reserved |

* Standard values for full functionality, depending on configuration

XXXX Depending on drive capacity and drive geometry

YYYY Depending on drive configuration

6.5.1 Word 0: General Configuration

This field indicates the general characteristics of the device.

The default value for Word 0 is set to **045Ah**.

Some operating systems require Bit 6 of Word 0 to be set to '1' (Non-removable device) to use the drive as the root storage device.

6.5.2 Word 1: Default Number of Cylinders

This field contains the number of translated cylinders in the default translation mode. This value will be the same as the number of cylinders.

6.5.3 Word 3: Default Number of Heads

This field contains the number of translated heads in the default translation mode.

6.5.4 Word 6: Default Number of Sectors per Track

This field contains the number of sectors per track in the default translation mode.

6.5.5 Word 7–8: Number of Sectors per Drive

This field contains the number of sectors per Drive. This double Word value is also the first invalid address in LBA translation mode.

6.5.6 Word 10–19: Memory Drive Serial Number

The contents of this field are right justified and padded without spaces (20h).

6.5.7 Word 23–26: Firmware Revision

This field contains the revision of the firmware for this product.

6.5.8 Word 27–46: Model Number

This field contains the model number for this product and is left justified and padded with spaces (20h).

6.5.9 Word 47: Read/Write Multiple Sector Count

This field contains the maximum number of sectors that can be read or written per interrupt using the Read Multiple or Write Multiple commands.

6.5.10 Word 49: Capabilities

- Bit 13 Standby Timer: is set to '0' to indicate that the Standby timer operation is defined by the manufacturer.
- Bit 11: IORDY Supported
 - If bit 11 is set to 1 then this drive supports IORDY operation.
 - If bit 11 is set to 0 then this drive may support IORDY operation.
- Bit 10: IORDY may be disabled
 - If bit 10 is set to 1 then IODRDY may be disabled.
- Bit 9 LBA support: drive support LBA mode addressing.
- Bit 8 DMA Support: Read/Write DMA commands are supported.

6.5.11 Word 51: PIO Data Transfer Cycle Timing Mode

This field defines the mode for PIO data transfer. For backward compatibility with BIOSs written before Word 64 was defined for advanced modes, a device reports in Word 51, the highest original PIO mode it can support (PIO mode 0, 1 or 2). Bits 15–8: are set to 02H.

6.5.12 Word 53: Translation Parameter Valid

- Bit 0: is set to '1' to indicate that Words 54 to 58 are valid
- Bit 1: is set to '1' to indicate that Words 64 to 70 are valid
- Bit 2 shall be set to 1 indicating that word 88 is valid and reflects the supported UDMA

6.5.13 Word 54–56: Current Number of Cylinders, Heads, Sectors/Track

These fields contain the current number of user addressable Cylinders, Heads, and Sectors/Track in the current translation mode.

6.5.14 Word 57–58: Current Capacity

This field contains the product of the current cylinders, heads and sectors.

6.5.15 Word 59: Multiple Sector Setting

- Bits 15–9 are reserved and must be set to '0'.
- Bit 8 is set to '1', to indicate that the Multiple Sector Setting is valid.
- Bits 7–0 are the current setting for the number of sectors to be transferred for every interrupt, on Read/Write Multiple commands; the only values returned are '00h' or '01h'.

6.5.16 Word 60–61: Total Sectors Addressable in LBA Mode

This field contains the number of sectors addressable for the Drive in LBA mode only.

6.5.17 Word 63: Multi-Word DMA transfer

Bits 15 through 8 of word 63 of the Identify Device parameter information is defined as the Multiword DMA mode selected field. If this field is supported, bit 1 of word 53 shall be set to one. This field is bit significant. Only one of bits may be set to one in this field by the drive to indicate the multiword DMA mode which is currently selected.

Of these bits, bits 15 through 11 are reserved. Bit 8, if set to one, indicates that Multiword DMA mode 0 has been selected. Bit 9, if set to one, indicates that Multiword DMA mode 1 has been selected. Bit 10, if set to one, indicates that Multiword DMA mode 2 has been selected.

Selection of Multiword DMA modes 3 and above are specific to Drive are as described in Word 163.

Bits 7 through 0 of word 63 of the Identify Device parameter information is defined as the Multiword DMA data transfer supported field. If this field is supported, bit 1 of word 53 shall be set to one. This field is bit significant. Any number of bits may be set to one in this field by the drive to indicate the Multiword DMA modes it is capable of supporting.

Of these bits, bits 7 through 2 are reserved. Bit 0, if set to one, indicates that the drive supports Multiword DMA mode 0. Bit 1, if set to one, indicates that the drive supports Multiword DMA modes 1 and 0. Bit 2, if set to one, indicates that the Drive supports Multiword DMA modes 2, 1 and 0.

Support for Multiword DMA modes 3 and above are specific to Drive are reported in word 163 as described in Word 163.

6.5.18 Word 64: Advanced PIO transfer modes supported

This field is bit significant. Any number of bits may be set to '1' in this field by the drive to indicate the advanced PIO modes it is capable of supporting.

- Bits 7–2 are reserved for future advanced PIO modes.
- Bit 1 is set to '1', indicates that the Drive supports PIO mode 4.
- Bit 0 is set to '1' to indicate that the Drive supports PIO mode 3.

Support for PIO modes 5 and above are specific to Drive are reported in word 163 as described in Word 163.

6.5.19 Word 65: Minimum Multi-Word DMA transfer cycle time

Word 65 of the parameter information of the Identify Device command is defined as the minimum Multiword DMA transfer cycle time. This field defines, in nanoseconds, the minimum cycle time that, if used by the host, the Drive guarantees data integrity during the transfer.

If this field is supported, bit 1 of word 53 shall be set to one. The value in word 65 shall not be less than the minimum cycle time for the fastest DMA mode supported by the device. This field shall be supported by all Drives supporting DMA modes 1 and above. If bit 1 of word 53 is set to one, but this field is not supported, the Drive shall return a value of zero in this field.

6.5.20 Word 66: Recommended Multi-Word DMA transfer cycle time

Word 66 of the parameter information of the Identify Device command is defined as the recommended Multiword DMA transfer cycle time. This field defines, in nanoseconds, the cycle time that, if used by the host, may optimize the data transfer from by reducing the probability that the Drive will need to negate the DMARQ signal during the transfer of a sector.

If this field is supported, bit 1 of word 53 shall be set to one. The value in word 66 shall not be less than the value in word 65. This field shall be supported by all Drives supporting DMA modes 1 and above. If bit 1 of word 53 is set to one, but this field is not supported, the Drive shall return a value of zero in this field.

6.5.21 Word 67: Minimum PIO transfer cycle time without flow control

Word 67 of the parameter information of the Identify Device command is defined as the minimum PIO transfer without flow control cycle time. This field defines, in nanoseconds, the minimum cycle time that, if used by the host, the Drive guarantees data integrity during the transfer without utilization of flow control.

If this field is supported, Bit 1 of word 53 shall be set to one.

Any Drive that supports PIO mode 3 or above shall support this field, and the value in word 67 shall not be less than the value reported in word 68.

If bit 1 of word 53 is set to one because a Drive supports a field in words 64–70 other than this field and the Drive does not support this field, the Drive shall return a value of zero in this field.

6.5.22 Word 68: Minimum PIO transfer cycle time with IORDY

Word 68 of the parameter information of the Identify Device command is defined as the minimum PIO transfer with IORDY flow control cycle time. This field defines, in nanoseconds, the minimum cycle time that the Drive supports while performing data transfers while utilizing IORDY flow control.

If this field is supported, Bit 1 of word 53 shall be set to one.

Any Drive that supports PIO mode 3 or above shall support this field, and the value in word 68 shall be the fastest defined PIO mode supported by the Drive.

If bit 1 of word 53 is set to one because a Drive supports a field in words 64–70 other than this field and the Drive does not support this field, the Drive shall return a value of zero in this field.

6.5.23 Word 76: Serial ATA Capabilities

- Bit 15:11 Reserved
- Bit 10 1 = Supports Phy Event Counters
- Bit 9 1 = Supports receipt of host initiated power management requests
- Bit 8 1 = Supports native Command Queuing
- Bit 7:3 Reserved for future SATA signaling speed grades
- Bit 2 1 = Supports SATA Gen2 Signaling Speed (3.0Gb/s)
- Bit 1 1 = Supports SATA Gen1 Signaling Speed (1.5Gb/s)
- Bit 0 Shall be cleared to zero

6.5.24 Word 78: SATA Feature support

- Bit 15–7 Reserved
- Bit 6 1 = Supports software settings preservation
- Bit 5 1 = Supports asynchronous notification
- Bit 4 1 = Supports in-order data delivery
- Bit 3 1 = Device supports initiating interface power management
- Bit 2 1 = Supports DMA Setup Auto-Activate optimization
- Bit 1 1 = Supports non-zero buffer offsets
- Bit 0 Shall be cleared to zero

6.5.25 Word 79: SATA Features enabled

- Bit 15–7 Reserved
- Bit 6 1 = Supports software settings preservation enabled
- Bit 5 1 = Supports asynchronous notification enabled
- Bit 4 1 = Supports in-order data delivery enabled
- Bit 3 1 = Device supports initiating interface power management enabled
- Bit 2 1 = Supports DMA Setup Auto-Activate optimization enabled
- Bit 1 1 = Supports non-zero buffer offsets enabled
- Bit 0 Shall be cleared to zero

6.5.26 Words 82–84: Features/command sets supported

Words 82, 83, and 84 shall indicate features/command sets supported. The value 0000h or FFFFh was placed in each of these words by Drives prior to ATA-3 and shall be interpreted by the host as meaning that features/command sets supported are not indicated. Bits 1 through 13 of word 83 and bits 0 through 13 of word 84 are reserved. Bit 14 of word 83 and word 84 shall be set to one and bit 15 of word 83 and word 84 shall be cleared to zero to provide indication that the features/command sets supported words are valid. The values in these words should not be depended on by host implementers.

- Bit 0 of word 82 shall be set to zero; the SMART feature set is not supported.
- If bit 1 of word 82 is set to one, the Security Mode feature set is supported.
- Bit 2 of word 82 shall be set to zero; the Removable Media feature set is not supported.
- Bit 3 of word 82 shall be set to one; the Power Management feature set is supported.
- Bit 4 of word 82 shall be set to zero; the Packet Command feature set is not supported.
- If bit 5 of word 82 is set to one, write cache is supported.
- If bit 6 of word 82 is set to one, look-ahead is supported.
- Bit 7 of word 82 shall be set to zero; release interrupt is not supported.
- Bit 8 of word 82 shall be set to zero; Service interrupt is not supported.
- Bit 9 of word 82 shall be set to zero; the Device Reset command is not supported.
- Bit 10 of word 82 shall be set to zero; the Host Protected Area feature set is not supported.
- Bit 11 of word 82 is obsolete.
- Bit 12 of word 82 shall be set to one; the Drive supports the Write Buffer command.
- Bit 13 of word 82 shall be set to one; the Drive supports the Read Buffer command.
- Bit 14 of word 82 shall be set to one; the Drive supports the NOP command.
- Bit 15 of word 82 is obsolete.

- Bit 0 of word 83 shall be set to zero; the Drive does not support the Download Microcode command.
- Bit 1 of word 83 shall be set to zero; the Drive does not support the Read DMA Queued and Write DMA Queued commands.
- Bit 2 of word 83 shall be set to zero; the Drive does not support the CFA feature set.
- If bit 3 of word 83 is set to one, the Drive supports the Advanced Power Management feature set.
- Bit 4 of word 83 shall be set to zero; the Drive does not support the Removable Media Status feature set.

6.5.27 Words 85–87: Features/command sets enabled

Words 85, 86, and 87 shall indicate features/command sets enabled. The value 0000h or FFFFh was placed in each of these words by Drives prior to ATA-4 and shall be interpreted by the host as meaning that features/command sets enabled are not indicated. Bits 1 through 15 of word 86 are reserved. Bits 0–13 of word 87 are reserved. Bit 14 of word 87 shall be set to one and bit 15 of word 87 shall be cleared to zero to provide indication that the features/command sets enabled words are valid. The values in these words should not be depended on by host implementers.

- Bit 0 of word 85 shall be set to zero; the SMART feature set is not enabled.
- If bit 1 of word 85 is set to one, the Security Mode feature set has been enabled via the Security Set Password command.
- Bit 2 of word 85 shall be set to zero; the Removable Media feature set is not supported.
- Bit 3 of word 85 shall be set to one; the Power Management feature set is supported.
- Bit 4 of word 85 shall be set to zero; the Packet Command feature set is not enabled.
- If bit 5 of word 85 is set to one, write cache is enabled.
- If bit 6 of word 85 is set to one, look-ahead is enabled.
- Bit 7 of word 85 shall be set to zero; release interrupt is not enabled.
- Bit 8 of word 85 shall be set to zero; Service interrupt is not enabled.
- Bit 9 of word 85 shall be set to zero; the Device Reset command is not supported.
- Bit 10 of word 85 shall be set to zero; the Host Protected Area feature set is not supported.
- Bit 11 of word 85 is obsolete.
- Bit 12 of word 85 shall be set to one; the Drive supports the Write Buffer command.
- Bit 13 of word 85 shall be set to one; the Drive supports the Read Buffer command.
- Bit 14 of word 85 shall be set to one; the Drive supports the NOP command.
- Bit 15 of word 85 is obsolete.
- Bit 0 of word 86 shall be set to zero; the Drive does not support the Download Microcode command.
- Bit 1 of word 86 shall be set to zero; the Drive does not support the Read DMA Queued and Write DMA Queued commands.

- If bit 2 of word 86 shall be set to zero, the Drive does not support the CFA feature set.
- If bit 3 of word 86 is set to one, the Advanced Power Management feature set has been enabled via the Set Features command.
- Bit 4 of word 86 shall be set to zero; the Drive does not support the Removable Media Status feature set.

6.5.28 Word 88: Ultra DMA Modes Supported and Selected

Word 88 identifies the Ultra DMA transfer modes supported by the device and indicates the mode that is currently selected. Only one DMA mode shall be selected at any given time. If an Ultra DMA mode is selected, then no Multiword DMA mode shall be selected. If a Multiword DMA mode is selected, then no Ultra DMA mode shall be selected. Support of this word is mandatory if Ultra DMA is supported. Word 88 shall return a value of 0 if the device does not support UDMA.

- Bit 15: Reserved
- Bit 14: 1 = Ultra DMA mode 6 is selected 0 = Ultra DMA mode 6 is not selected
- Bit 13: 1 = Ultra DMA mode 5 is selected 0 = Ultra DMA mode 5 is not selected
- Bit 12: 1 = Ultra DMA mode 4 is selected 0 = Ultra DMA mode 4 is not selected
- Bit 11: 1 = Ultra DMA mode 3 is selected 0 = Ultra DMA mode 3 is not selected
- Bit 10: 1 = Ultra DMA mode 2 is selected 0 = Ultra DMA mode 2 is not selected
- Bit 9: 1 = Ultra DMA mode 1 is selected 0 = Ultra DMA mode 1 is not selected
- Bit 8: 1 = Ultra DMA mode 0 is selected 0 = Ultra DMA mode 0 is not selected
- Bit 7: Reserved
- Bit 6: 1 = Ultra DMA mode 6 and below are supported. Bits 0–5 shall be set to 1.
- Bit 5: 1 = Ultra DMA mode 5 and below are supported. Bits 0–4 shall be set to 1.
- Bit 4: 1 = Ultra DMA mode 4 and below are supported. Bits 0–3 shall be set to 1.
- Bit 3: 1 = Ultra DMA mode 3 and below are supported, Bits 0–2 shall be set to 1.
- Bit 2: 1 = Ultra DMA mode 2 and below are supported. Bits 0–1 shall be set to 1.
- Bit 1: 1 = Ultra DMA mode 1 and below are supported. Bit 0 shall be set to 1.
- Bit 0: 1 = Ultra DMA mode 0 is supported

6.5.29 Word 89: Time required for Security erase unit completion

Word 89 specifies the time required for the SECURITY ERASE UNIT command to complete. Support of this word is mandatory if the Security feature set is supported.

Required Time=(Value*2) minutes

6.5.30 Word 92: Master Password Revision Code

Word 92 contains the value of the Master Password Revision Code set when the Master Password was last changed. Valid values are 000h through FFFh. A value of 000h or FFFh indicates that the Master Password Revision is not supported. Support of this word is mandatory if the Security feature set is supported.

6.5.31 Word 128: Security status

Support of this word is mandatory if the Security feature set is supported.

Bit 8 of word 128 indicates the security level. If security mode is enabled and the security level is high, bit 8 shall be cleared to zero. If security mode is enabled and the security level is maximum, bit 8 shall be set to one. When security mode is disabled, bit 8 shall be cleared to zero.

Bit 5 of word 128 indicates the Enhanced security erase unit feature is supported. If bit 5 is set to one, the Enhanced security erase unit feature set is supported.

Bit 4 of word 128 indicates that the security count has expired. If bit 4 is set to one, the security count is expired and SECURITY UNLOCK and SECURITY ERASE UNIT are command aborted until a power-on reset or hardware reset.

Bit 3 of word 128 indicates security frozen. If bit 3 is set to one, the security is frozen.

Bit 2 of word 128 indicates security locked. If bit 2 is set to one, the security is locked.

Bit 1 of word 128 indicates security enabled. If bit 1 is set to one, the security is enabled.

Bit 0 of word 128 indicates the Security Mode feature set supported. If bit 0 is set to one, security is supported.

6.6 Idle (97h or E3h)

This command causes the Drive to set BSY, enter the Idle mode, clear BSY and generate an interrupt. If the sector count is non-zero, it is interpreted as a timer count (each count is 5ms) and the automatic power down mode is enabled. If the sector count is zero, the automatic power down mode is disabled. Note that this time base (5ms) is different from the ATA specification. Table 22 defines the Byte sequence of the Idle command.

Table 22: Idle

| Task File Register | 7 | 6 | 5 | 4 | 3 | 2 | 1 | 0 |
|--------------------|------------------------------|----|----|---|----|---|---|---|
| COMMAND | 97h or E3h | | | | | | | |
| DRIVE/HEAD | nu | nu | nu | D | nu | | | |
| CYLINDER HI | | | | | nu | | | |
| CYLINDER LOW | | | | | nu | | | |
| SECTOR NUM | | | | | nu | | | |
| SECTOR COUNT | Timer Count (5ms increments) | | | | | | | |
| FEATURES | | | | | nu | | | |

6.7 Idle Immediate (95h or E1h)

This command causes the Drive to set BSY, enter the Idle mode, clear BSY and generate an interrupt. Table 23 defines the Idle Immediate command Byte sequence.

Table 23: Idle Immediate

| Task File Register | 7 | 6 | 5 | 4 | 3 | 2 | 1 | 0 |
|--------------------|------------|----|----|---|----|---|---|---|
| COMMAND | 95h or E1h | | | | | | | |
| DRIVE/HEAD | nu | nu | nu | D | nu | | | |
| CYLINDER HI | | | | | nu | | | |
| CYLINDER LOW | | | | | nu | | | |
| SECTOR NUM | | | | | nu | | | |
| SECTOR COUNT | | | | | nu | | | |
| FEATURES | | | | | nu | | | |

6.8 NOP (00h)

This command always fails with the Drive returning command aborted. Table 24 defines the Byte sequence of the NOP command.

Table 24: NOP

| Task File Register | 7 | 6 | 5 | 4 | 3 | 2 | 1 | 0 |
|--------------------|-----|----|----|---|----|---|---|---|
| COMMAND | 00h | | | | | | | |
| DRIVE/HEAD | nu | nu | nu | D | nu | | | |
| CYLINDER HI | | | | | nu | | | |
| CYLINDER LOW | | | | | nu | | | |
| SECTOR NUM | | | | | nu | | | |
| SECTOR COUNT | | | | | nu | | | |
| FEATURES | | | | | nu | | | |

6.9 Read Buffer (E4h)

The Read Buffer command enables the host to read the current contents of the Drive's sector buffer. This command has the same protocol as the Read Sector(s) command. Table 25 defines the Read Buffer command Byte sequence.

Table 25: Read buffer

| Task File Register | 7 | 6 | 5 | 4 | 3 | 2 | 1 | 0 |
|--------------------|-----|----|----|---|----|---|---|---|
| COMMAND | E4h | | | | | | | |
| DRIVE/HEAD | nu | nu | nu | D | nu | | | |
| CYLINDER HI | | | | | nu | | | |
| CYLINDER LOW | | | | | nu | | | |
| SECTOR NUM | | | | | nu | | | |
| SECTOR COUNT | | | | | nu | | | |
| FEATURES | | | | | nu | | | |

6.10 Read DMA (C8h)

This command uses DMA mode to read from 1 to 256 sectors as specified in the Sector Count register. A sector count of 0 requests 256 sectors. The transfer begins at the sector specified in the Sector Number Register. When this command is issued the Drive sets BSY, puts all or part of the sector of data in the buffer. The Drive is then permitted, although not required, to set DRQ, clear BSY. The Drive asserts DMAREQ while data is available to be transferred. The Drive asserts DMAREQ while data is available to be transferred. The host then reads the (512 * sector-count) bytes of data from the Drive using DMA. While DMAREQ is asserted by the Drive, the Host asserts -DMACK while it is ready to transfer data by DMA and asserts -IORD once for each 16 bit word to be transferred to the Host.

Interrupts are not generated on every sector, but upon completion of the transfer of the entire number of sectors to be transferred or upon the occurrence of an unrecoverable error.

At command completion, the Command Block Registers contain the cylinder, head and sector number of the last sector read. If an error occurs, the read terminates at the sector where the error occurred. The Command Block Registers contain the cylinder, head, and sector number of the sector where the error occurred. The amount of data transferred is indeterminate.

Table 26: Read DMA

| Task File Register | 7 | 6 | 5 | 4 | 3 | 2 | 1 | 0 |
|--------------------|-----|---|---|---|--------------------------|---|---|---|
| COMMAND | C8h | | | | | | | |
| DRIVE/HEAD | LBA | | | D | Head (LBA 27-24) | | | |
| CYLINDER HI | | | | | Cylinder High (LBA23-16) | | | |
| CYLINDER LOW | | | | | Cylinder Low (LBA15-8) | | | |
| SECTOR NUM | | | | | Sector Number (LBA7-0) | | | |
| SECTOR COUNT | | | | | Sector Count | | | |
| FEATURES | | | | | nu | | | |

6.11 Read Multiple (C4h)

The Read Multiple command performs similarly to the Read Sectors command. Interrupts are not generated on every sector, but on the transfer of a block which contains the number of sectors defined by a Set Multiple command.

Command execution is identical to the Read Sectors operation except that the number of sectors defined by a Set Multiple command is transferred without intervening interrupts. DRQ qualification of the transfer is required only at the start of the data block, not on each sector.

The block count of sectors to be transferred without intervening interrupts is programmed by the Set Multiple Mode command, which must be executed prior to the Read Multiple command. When the Read Multiple command is issued, the Sector Count Register contains the number of sectors (not the number of blocks or the block count) requested. If the number of requested sectors is not evenly divisible by the block count, as many full blocks as possible are transferred, followed by a final, partial block transfer. The partial block transfer is for n sectors, where:

$$n = (\text{sector count}) \bmod (\text{block count}).$$

If the Read Multiple command is attempted before the Set Multiple Mode command has been executed or when Read Multiple commands are disabled, the Read Multiple operation is rejected with an Aborted Command error.

Disk errors encountered during Read Multiple commands are posted at the beginning of the block or partial block transfer, but DRQ is still set and the data transfer will take place as it normally would, including transfer of corrupted data, if any.

Interrupts are generated when DRQ is set at the beginning of each block or partial block. The error reporting is the same as that on a Read Sector(s) Command. This command reads from 1 to 256 sectors as specified in the Sector Count register. A sector count of 0 requests 256 sectors. The transfer begins at the sector specified in the Sector Number Register.

If an error occurs, the read terminates at the sector where the error occurred. The Command Block Registers contain the cylinder, head and sector number of the sector where the error occurred. The flawed data are pending in the sector buffer.

Subsequent blocks or partial blocks are transferred only if the error was a correctable data error. All other errors cause the command to stop after transfer of the block which contained the error.

Table 27 defines the Read Multiple command Byte sequence.

Table 27: Read Multiple

| Task File Register | 7 | 6 | 5 | 4 | 3 | 2 | 1 | 0 |
|--------------------|--------------------------|-----|---|---|------------------|---|---|---|
| COMMAND | C4h | | | | | | | |
| DRIVE/HEAD | 1 | LBA | 1 | D | Head (LBA 27-24) | | | |
| CYLINDER HI | Cylinder High (LBA23-16) | | | | | | | |
| CYLINDER LOW | Cylinder Low (LBA15-8) | | | | | | | |
| SECTOR NUM | Sector Number (LBA7-0) | | | | | | | |
| SECTOR COUNT | Sector Count | | | | | | | |
| FEATURES | nu | | | | | | | |

6.12 Read Native max address (F8h)

The Read Native max address command reads the max native address of the drive. It is related to the Host protected Area feature set. Table 28 defines the Read max native address command Byte sequence.

Table 28: Read native max address

| Task File Register | 7 | 6 | 5 | 4 | 3 | 2 | 1 | 0 |
|--------------------|-----|-----|----|---|----|---|---|---|
| COMMAND | F8h | | | | | | | |
| DRIVE/HEAD | nu | LBA | nu | D | nu | | | |
| CYLINDER HI | nu | | | | | | | |
| CYLINDER LOW | nu | | | | | | | |
| SECTOR NUM | nu | | | | | | | |
| SECTOR COUNT | nu | | | | | | | |
| FEATURES | nu | | | | | | | |

The LBA bit shall be set to one to specify the address is an LBA. DEV shall specify the selected device. The native drive size is given in Drive/Head, Cyl Hi, Cyl Low and Sector num register as LBA value.

6.13 Read Sector(s) (20h)

This command reads from 1 to 256 sectors as specified in the Sector Count register. A sector count of 0 requests 256 sectors. The transfer begins at the sector specified in the Sector Number Register. When this command is issued and after each sector of data (except the last one) has been read by the host, the Drive sets BSY, puts the sector of data in the buffer, sets DRQ, clears BSY, and generates an interrupt. The host then reads the 512 Bytes of data from the buffer.

If an error occurs, the read terminates at the sector where the error occurred. The Command Block Registers contain the cylinder, head, and sector number of the sector where the error occurred. The flawed data are pending in the sector buffer. Table 29 defines the Read Sector command Byte sequence.

Table 29: Read sector(s)

| Task File Register | 7 | 6 | 5 | 4 | 3 | 2 | 1 | 0 |
|--------------------|--------------------------|-----|---|---|------------------|---|---|---|
| COMMAND | 20h | | | | | | | |
| DRIVE/HEAD | 1 | LBA | 1 | D | Head (LBA 27-24) | | | |
| CYLINDER HI | Cylinder High (LBA23-16) | | | | | | | |
| CYLINDER LOW | Cylinder Low (LBA15-8) | | | | | | | |
| SECTOR NUM | Sector Number (LBA7-0) | | | | | | | |
| SECTOR COUNT | Sector Count | | | | | | | |
| FEATURES | nu | | | | | | | |

6.14 Read Verify Sector(s) (40h or 41h)

This command is identical to the Read Sectors command, except that DRQ is never set and no data is transferred to the host. When the command is accepted, the Drive sets BSY. When the requested sectors have been verified, the Drive clears BSY and generates an interrupt.

If an error occurs, the verify terminates at the sector where the error occurs. The Command Block Registers contain the cylinder, head and sector number of the sector where the error occurred. The Sector Count Register contains the number of sectors not yet verified.

Table 30 defines the Read Verify Sector command Byte sequence.

Table 30: Read Verify Sector(s)

| Task File Register | 7 | 6 | 5 | 4 | 3 | 2 | 1 | 0 |
|--------------------|--------------------------|-----|---|---|------------------|---|---|---|
| COMMAND | 40h or 41h | | | | | | | |
| DRIVE/HEAD | 1 | LBA | 1 | D | Head (LBA 27-24) | | | |
| CYLINDER HI | Cylinder High (LBA23-16) | | | | | | | |
| CYLINDER LOW | Cylinder Low (LBA15-8) | | | | | | | |
| SECTOR NUM | Sector Number (LBA7-0) | | | | | | | |
| SECTOR COUNT | Sector Count | | | | | | | |
| FEATURES | nu | | | | | | | |

6.15 Request Sense (03h)

This command requests extended error information for the previous command. Table 31 defines the Request Sense command Byte sequence.

Table 32 defines the valid extended error codes. The extended error code is returned to the host in the Error Register.

Table 31: Request sense

| Task File Register | 7 | 6 | 5 | 4 | 3 | 2 | 1 | 0 |
|--------------------|-----|-----|---|---|----|---|---|---|
| COMMAND | 03h | | | | | | | |
| DRIVE/HEAD | 1 | LBA | 1 | D | nu | | | |
| CYLINDER HI | nu | | | | | | | |
| CYLINDER LOW | nu | | | | | | | |
| SECTOR NUM | nu | | | | | | | |
| SECTOR COUNT | nu | | | | | | | |
| FEATURES | nu | | | | | | | |

Table 32: Extended Error Codes

| Extended Error Code | Description |
|-------------------------|--|
| 00h | No Error Detected |
| 01h | Self Test OK (No Error) |
| 09h | Miscellaneous Error |
| 21h | Invalid Address (Requested Head or Sector Invalid) |
| 2Fh | Address Overflow (Address Too Large) |
| 35h, 36h | Supply or generated Voltage Out of Tolerance |
| 11h | Uncorrectable ECC Error |
| 18h | Corrected ECC Error |
| 05h, 30-34h, 37h, 3Eh | Self Test or Diagnostic Failed |
| 10h, 14h | ID Not Found |
| 3Ah | Spare Sectors Exhausted |
| 1Fh | Data Transfer Error / Aborted Command |
| 0Ch, 38h, 3Bh, 3Ch, 3Fh | Corrupted Media Format |
| 03h | Write / Erase Failed |

6.16 Security Disable Password (F6h)

This command requests a transfer of a single sector of data from the host. Table 33 defines the content of this sector of information. If the password selected by word 0 matches the password previously saved by the device, the device disables the lock mode. This command does not change the Master password that may be reactivated later by setting a User password.

Table 33: Security Disable Password

| Task File Register | 7 | 6 | 5 | 4 | 3 | 2 | 1 | 0 |
|--------------------|-----|-----|---|---|----|---|---|---|
| COMMAND | F6h | | | | | | | |
| DRIVE/HEAD | 1 | LBA | 1 | D | nu | | | |
| CYLINDER HI | nu | | | | | | | |
| CYLINDER LOW | nu | | | | | | | |
| SECTOR NUM | nu | | | | | | | |
| SECTOR COUNT | nu | | | | | | | |
| FEATURES | nu | | | | | | | |

Table 34: Security Password Data Content

| Word | Content |
|--------|---|
| 0 | Control word Bit 0: identifier 0=compare User password 1=compare Master password Bit 1-15: Reserved |
| 1-16 | Password (32 bytes) |
| 17-255 | Reserved |

6.17 Security Erase Prepare (F3h)

This command shall be issued immediately before the Security Erase Unit command to enable device erasing and unlocking. This command prevents accidental erase of the SSD.

Table 35: Security Erase Prepare

| Task File Register | 7 | 6 | 5 | 4 | 3 | 2 | 1 | 0 |
|--------------------|-----|-----|---|---|----|---|---|---|
| COMMAND | F3h | | | | | | | |
| DRIVE/HEAD | 1 | LBA | 1 | D | nu | | | |
| CYLINDER HI | nu | | | | | | | |
| CYLINDER LOW | nu | | | | | | | |
| SECTOR NUM | nu | | | | | | | |
| SECTOR COUNT | nu | | | | | | | |
| FEATURES | nu | | | | | | | |

6.18 Security Erase Unit (F4h)

This command requests transfer of a single sector of data from the host. Table 34 defines the content of this sector of information. If the password does not match the password previously saved by the SSD, the SSD rejects the command with command aborted. The Security Erase Prepare command shall be completed immediately prior to the Security Erase Unit command. If the SSD receives a Security Erase Unit command without an immediately prior Security Erase Prepare command, the SSD aborts the Security Erase Unit command.

Table 36: Security Erase Unit

| Task File Register | 7 | 6 | 5 | 4 | 3 | 2 | 1 | 0 |
|--------------------|-----|-----|---|---|----|---|---|---|
| COMMAND | F4h | | | | | | | |
| DRIVE/HEAD | 1 | LBA | 1 | D | nu | | | |
| CYLINDER HI | nu | | | | | | | |
| CYLINDER LOW | nu | | | | | | | |
| SECTOR NUM | nu | | | | | | | |
| SECTOR COUNT | nu | | | | | | | |
| FEATURES | nu | | | | | | | |

6.19 Security Freeze Lock (F5h)

The Security Freeze Lock command sets the SSD to Frozen mode. After command completion, any other commands that update the SSD Lock mode are rejected. Frozen mode is disabled by power off or hardware reset. If Security Freeze Lock is issued when the SSD is in Frozen mode, the command executes and the SSD remains in Frozen mode. After command completion, the Sector Count Register shall be set to 0.

Commands disabled by Security Freeze Lock are:

- Security Set Password
- Security Unlock
- Security Disable Password
- Security Erase Unit

If security mode feature set is not supported, this command shall be handled as Wear Level command.

Table 37: Security Freeze Lock

| Task File Register | 7 | 6 | 5 | 4 | 3 | 2 | 1 | 0 |
|--------------------|-----|-----|---|---|----|---|---|---|
| COMMAND | F5h | | | | | | | |
| DRIVE/HEAD | 1 | LBA | 1 | D | nu | | | |
| CYLINDER HI | nu | | | | | | | |
| CYLINDER LOW | nu | | | | | | | |
| SECTOR NUM | nu | | | | | | | |
| SECTOR COUNT | nu | | | | | | | |
| FEATURES | nu | | | | | | | |

6.20 Security Set Password (F1h)

This command requests a transfer of a single sector of data from the host. Table 39 defines the content of the sector of information. The data transferred controls the function of this command.

Table 40 defines the interaction of the identifier and security level bits.

Table 38: Security Set Password

| Task File Register | 7 | 6 | 5 | 4 | 3 | 2 | 1 | 0 |
|--------------------|-----|-----|---|---|----|---|---|---|
| COMMAND | F1h | | | | | | | |
| DRIVE/HEAD | 1 | LBA | 1 | D | nu | | | |
| CYLINDER HI | nu | | | | | | | |
| CYLINDER LOW | nu | | | | | | | |
| SECTOR NUM | nu | | | | | | | |
| SECTOR COUNT | nu | | | | | | | |
| FEATURES | nu | | | | | | | |

Table 39: Security Set Password Data Content

| Word | Content |
|--------|---|
| 0 | Control word Bit 0: identifier 0=set User password 1=set Master password Bit 1-7: Reserved Bit 8: Security level 0=High 1=Maximum Bits 9-15: Reserved |
| 1-16 | Password (32 bytes) |
| 17-255 | Reserved |

Table 40: Identifier and Security Level Bit Interaction

| Identifier | Level | Command result |
|------------|-----------------|--|
| User | High | The password supplied with the command shall be saved as the new User password. The lock mode shall be enabled from the next power-on or hardware reset. The SSD shall then be unlocked by either the User password or the previously set Master password. |
| User | Maximum | The password supplied with the command shall be saved as the new User password. The lock mode shall be enabled from the next power-on or hardware reset. The SSD shall then be unlocked by only the User password. The Master password previously set is still stored in the SSD shall not be used to unlock the SSD. |
| Master | High or Maximum | This combination shall set a Master password but shall not enable or disable the Lock mode. The security level is not changed. |

6.21 Security Unlock (F2h)

This command requests transfer of a single sector of data from the host. Table 34 defines the content of this sector of information. If the identifier bit is set to Master and the device is in high security level, then the password supplied shall be compared with the stored Master password. If the device is in the maximum security level, then the unlock command shall be rejected. If the identifier bit is set to user, then the device compares the supplied password with the stored User password. If the password compare fails then the device returns command aborted to the host and decrements the unlock counter. This counter is initially set to five and is decremented for each password mismatch when Security Unlock is issued and the device is locked. Once this counter reaches zero, the Security Unlock and Security Erase Unit commands are command aborted until after a power-on reset or a hardware reset is received. Security Unlock commands issued when the device is unlocked have no effect on the unlock counter.

Table 41: Security Unlock

| Task File Register | 7 | 6 | 5 | 4 | 3 | 2 | 1 | 0 |
|--------------------|-----|-----|---|---|----|---|---|---|
| COMMAND | F2h | | | | | | | |
| DRIVE/HEAD | 1 | LBA | 1 | D | nu | | | |
| CYLINDER HI | nu | | | | | | | |
| CYLINDER LOW | nu | | | | | | | |
| SECTOR NUM | nu | | | | | | | |
| SECTOR COUNT | nu | | | | | | | |
| FEATURES | nu | | | | | | | |

6.22 Set Features (EFh)

This command is used by the host to establish or select certain features. If any subcommand input value is not supported or is invalid, the SSD returns command aborted.

Table 42: Set Features

| Task File Register | 7 | 6 | 5 | 4 | 3 | 2 | 1 | 0 |
|--------------------|---------|---|---|---|----|---|---|---|
| COMMAND | EFh | | | | | | | |
| DRIVE/HEAD | nu | | | D | nu | | | |
| CYLINDER HI | nu | | | | | | | |
| CYLINDER LOW | nu | | | | | | | |
| SECTOR NUM | nu | | | | | | | |
| SECTOR COUNT | Config | | | | | | | |
| FEATURES | Feature | | | | | | | |

Table 43: Features Supported

| Feature | Operation |
|---------|---|
| 01h/81h | Enable/Disable 8-bit data transfers. |
| 02h/82h | Enable/Disable write cache. |
| 03h | Set transfer mode based on value in Sector Count register. |
| 05h/85h | Enable/Disable advance power management. |
| 09h/89h | Enable/Disable extended power operations. |
| 0Ah/8Ah | Enable/Disable power level 1 commands. |
| 55h/AAh | Disable/Enable Read Look Ahead. |
| 66h/CCh | Disable/Enable Power On Reset (POR) established of defaults at Soft Reset. |
| 69h | NOP Accepted for backward compatibility. |
| 96h | NOP Accepted for backward compatibility. |
| 97h | Accepted for backward compatibility. Use of this Feature is not recommended. |
| 9Ah | Set the host current source capability. Allows trade-off between current drawn and read/write speed. |
| BBh | 4 bytes of data apply on Read/Write Long commands |

Features 01h and 81h are used to enable and clear 8 bit data transfer modes in True IDE Mode. If the 01h feature command is issued all data transfers shall occur on the low order D[7:0] data bus and the -IOIS16 signal shall not be asserted for data register accesses. The host shall not enable this feature for DMA transfers.

Features 02h and 82h allow the host to enable or disable write cache in SSD that implement write cache. When the subcommand disable write cache is issued, the SSD shall initiate the sequence to flush cache to non-volatile memory before command completion.

Feature 03h allows the host to select the PIO or Multiword DMA transfer mode by specifying a value in the Sector Count register. The upper 5 bits define the type of transfer and the low order 3 bits encode the mode value. One PIO mode shall be selected at all times. For Cards which support DMA, one DMA mode shall be selected at all times. The host may change the selected modes by the Set Features command.

Table 44: Transfer Mode Values

| Mode | Bits (7:3) | Bits (2:0) |
|---------------------------------|------------|---------------------|
| PIO default mode | 00000b | 000b |
| PIO default mode, disable IORDY | 00000b | 001b |
| PIO flow control transfer mode | 00001b | Mode ⁽¹⁾ |
| Reserved | 00010b | N/A |
| Multi-Word DMA mode | 00100b | Mode ⁽¹⁾ |
| Ultra DMA mode | 01000b | Mode ⁽¹⁾ |
| Reserved | 1000b | N/A |

(1)Mode = transfer mode number

Notes: Multiword DMA is not permitted for devices configured in the PC Card Memory or the PC Card I/O interface mode.

If a SSD supports PIO modes greater than 0 and receives a Set Features command with a Set Transfer Mode parameter and a Sector Count register value of "0000000b", it shall set its default PIO mode. If the value is "00000001b" and the SSD supports disabling of IORDY, then the SSD shall set its default PIO mode and disable IORDY. A SSD shall support all PIO modes below the highest mode supported, e.g., if PIO mode 1 is supported PIO mode 0 shall be supported.

Support of IORDY is mandatory when PIO mode 3 or above is the current mode of operation.

A SSD reporting support for Multiword DMA modes shall support all Multiword DMA modes below the highest mode supported. For example, if Multiword DMA mode 2 support is reported, then modes 1 and 0 shall also be supported. Note that Multiword DMA shall not be supported while PC Card interface modes are selected.

A SSD reporting support for Ultra DMA modes shall support all Ultra DMA modes below the highest mode supported. For example, if Ultra DMA mode 2 support is reported then modes 1 and 0 shall also be supported. If an Ultra DMA mode is enabled, any previously enabled Multiword DMA mode shall be disabled by the device. If a Multiword DMA mode is enabled any previously enabled Ultra DMA mode shall be disabled by the device.

Feature 05h allows the host to enable Advanced Power Management. To enable Advanced Power Management, the host writes the Sector Count register with the desired advanced power management level and then executes a Set Features command with subcommand code 05h. The power management level is a scale from the lowest power consumption setting of 01h to the maximum performance level of Feh.

Table 45: Advanced power management levels shows these values.

Table 45: Advanced power management levels

| Level | Sector Count Value |
|--|--------------------|
| Maximum performance | Feh |
| Intermediate power management levels without Standby | 81h-FDh |
| Minimum power consumption without Standby | 80h |
| Intermediate power management levels with Standby | 02h-7Fh |
| Minimum power consumption with Standby | 01h |
| Reserved | FFh |
| Reserved | 00h |

In the current version the advanced power management levels are accepted, but don't influence performance and power consumption.

Device performance may increase with increasing power management levels. Device power consumption may increase with increasing power management levels. The power management levels may contain discrete bands. For example, a device may implement one power management method from 80h to A0h and a higher performance, higher power consumption method from level A1h to Feh. Advanced power management levels 80h and higher do not permit the device to spin down to save power.

Feature 85h disables Advanced Power Management. Subcommand 85h may not be implemented on all devices that implement Set Features subcommand 05h.

Features 0Ah and 8Ah are used to enable and disable Power Level 1 commands. Feature 0Ah is the default feature for the SSD with extended power as they require Power Level 1 to perform their full set of functions. Power Enhanced SSDs are required to power up and execute all supported commands and protocols in Power Level 0, their default feature shall be 8Ah: Disable Power Level 1 Commands. No commands are actually excluded for such cards in Power Level 0 because no commands require Power Level 1. Features 55h and BBh are the default features for the SSD; thus, the host does not have to issue this command with these features unless it is necessary for compatibility reasons.

Feature code 9Ah enables the host to configure the card to best meet the host system's power requirements. The host sets a value in the Sector Count register that is equal to one-fourth of the desired maximum average current (in mA) that the card should consume. For example, if the Sector Count register were set to 6, the card would be configured to provide the best possible performance without exceeding 24 mA. Upon completion of the command, the card responds to the host with the range of values supported by the card. The minimum value is set in the Cylinder Low register, and the maximum value is set in the Cylinder Hi register. The default value, after a power on reset, is to operate at the highest performance and therefore the highest current mode. The card shall accept values outside this programmable range, but shall operate at either the lowest power or highest performance as appropriate.

Features 66h and CCh can be used to enable and disable whether the Power On Reset (POR) Defaults shall be set when a soft reset occurs. The default setting is to revert to the POR defaults when a soft reset occurs.

6.23 Set max address (F9h)

The Set max address command sets the max address of the drive. It is related to the Host protected Area feature set. Table 46 defines the Set max address command Byte sequence.

Table 46: Read native max address

| Task File Register | 7 | 6 | 5 | 4 | 3 | 2 | 1 | 0 |
|--------------------|---------------------|-----|----|---|---------------------|---|---|----|
| COMMAND | F8h | | | | | | | |
| DRIVE/HEAD | nu | LBA | nu | D | Set max LBA (27:24) | | | |
| CYLINDER HI | Set max LBA (23:16) | | | | | | | |
| CYLINDER LOW | Set max LBA (15:8) | | | | | | | |
| SECTOR NUM | Set max LBA (7:0) | | | | | | | |
| SECTOR COUNT | nu | | | | | | | VV |
| FEATURES | Feature | | | | | | | |

The LBA bit shall be set to one to specify the address is an LBA. DEV shall specify the selected device.

Prerequisites

DRDY set to one. A successful READ NATIVE MAX ADDRESS command shall immediately precede a SET MAX ADDRESS command.

VV =Value volatile. If bit 0 is set to one, the device shall preserve the maximum values over power-up or hardware reset. If bit 0 is cleared to zero, the device shall revert to the most recent nonvolatile maximum address value setting over power-up or hardware reset.

The set max address can be locked/unlocked and secured by password with following features:

Table 47: Set max features

| Feature register | Command |
|------------------|----------------------|
| 00h | Obsolete |
| 01h | SET MAX SET PASSWORD |
| 02h | SET MAX LOCK |
| 03h | SET MAX UNLOCK |
| 04h | SET MAX FREEZE LOCK |
| 05-FFh | Reserved |

Typical use of the Set max address (F9h) and Read native max address (F8h) commands would be:

On reset

BIOS receives control after a system reset;

1. BIOS issues a READ NATIVE MAX ADDRESS command to find the max capacity of the device;
2. BIOS issues a SET MAX ADDRESS command to the values returned by READ NATIVE MAX ADDRESS;
3. BIOS reads configuration data from the highest area on the disk;
4. BIOS issues a READ NATIVE MAX ADDRESS command followed by a SET MAX ADDRESS command to reset the device to the size of the file system.

On save to disk

1. BIOS receives control prior to shut down;
2. BIOS issues a READ NATIVE MAX ADDRESS command to find the max capacity of the device;
3. BIOS issues a volatile SET MAX ADDRESS command to the values returned by READ NATIVE MAX ADDRESS;
4. Memory is copied to the reserved area;
5. Shut down completes;
6. On power-on or hardware reset the device max address returns to the last non-volatile setting.

These commands are intended for use only by system BIOS or other low-level boot time process. Using these commands outside BIOS controlled boot or shutdown may result in damage to file systems on the device. Devices should return command aborted if a subsequent non-volatile SET MAX ADDRESS command is received after a power-on or hardware reset.

6.24 Set Multiple Mode (C6h)

This command enables the Drive to perform Read and Write Multiple operations and establishes the block count for these commands. The Sector Count Register is loaded with the number of sectors per block. Upon receipt of the command, the Drive sets BSY and checks the Sector Count Register.

If the Sector Count Register contains a valid value and the block count is supported, the value is loaded for all subsequent Read Multiple and Write Multiple commands and execution is enabled. If a block count is not supported, an Aborted Command error is posted, and Read Multiple and Write Multiple commands are disabled. If the Sector Count Register contains '0' when the command is issued, Read and Write Multiple commands are disabled. At power on the default mode is Read and Write Multiple disabled, unless it is disabled by a Set Feature command. Table 48 defines the Set Multiple Mode command Byte sequence.

Table 48: Set Multiple Mode

| Task File Register | 7 | 6 | 5 | 4 | 3 | 2 | 1 | 0 |
|--------------------|--------------|---|---|---|----|---|---|---|
| COMMAND | C6h | | | | | | | |
| DRIVE/HEAD | nu | | | D | nu | | | |
| CYLINDER HI | nu | | | | | | | |
| CYLINDER LOW | nu | | | | | | | |
| SECTOR NUM | nu | | | | | | | |
| SECTOR COUNT | Sector Count | | | | | | | |
| FEATURES | nu | | | | | | | |

6.25 Sleep (99h or E6)

This command causes the Drive to set BSY, enter the Sleep mode (which corresponds to the ATA 'Standby' Mode), clear BSY and return the interrupt immediately. Recovery from Sleep mode is accomplished by issuing another command. Table 49 defines the Standby command Byte sequence.

Table 49: Sleep

| Task File Register | 7 | 6 | 5 | 4 | 3 | 2 | 1 | 0 |
|--------------------|------------|---|---|---|----|---|---|---|
| COMMAND | 99h or E6h | | | | | | | |
| DRIVE/HEAD | nu | | | D | nu | | | |
| CYLINDER HI | nu | | | | | | | |
| CYLINDER LOW | nu | | | | | | | |
| SECTOR NUM | nu | | | | | | | |
| SECTOR COUNT | nu | | | | | | | |
| FEATURES | nu | | | | | | | |

6.26 S.M.A.R.T. (Boh)

The intent of self-monitoring, analysis, and reporting technology (the SMART feature set) is to protect user data and minimize the likelihood of unscheduled system downtime that may be caused by predictable degradation and/or fault of the device. By monitoring and storing critical performance and calibration parameters, SMART feature set devices attempt to predict the likelihood of near-term degradation or fault condition. Providing the host system the knowledge of a negative reliability condition allows the host system to warn the user of the impending risk of a data loss and advise the user of appropriate action. Support of this feature set is indicated in the IDENTIFY DEVICE data (Word 82 bit 0).

Table 50: S.M.A.R.T. Features

| Task File Register | 7 | 6 | 5 | 4 | 3 | 2 | 1 | 0 |
|--------------------|---------|---|---|---|----|---|---|---|
| COMMAND | Boh | | | | | | | |
| DRIVE/HEAD | 1 | 1 | 1 | D | nu | | | |
| CYLINDER HI | Czh | | | | | | | |
| CYLINDER LOW | 4Fh | | | | | | | |
| SECTOR NUM | nu | | | | | | | |
| SECTOR COUNT | XXh | | | | | | | |
| FEATURES | Feature | | | | | | | |

Details of S.M.A.R.T. features are described in Section 7.

6.27 Standby (96h or E2)

This command causes the Drive to set BSY, enter the Sleep mode (which corresponds to the ATA 'Standby' Mode), clear BSY and return the interrupt immediately. Recovery from Sleep mode is accomplished by issuing another command. Table 51 defines the Standby command Byte sequence.

Table 51: Standby

| Task File Register | 7 | 6 | 5 | 4 | 3 | 2 | 1 | 0 |
|--------------------|------------|---|---|---|----|---|---|---|
| COMMAND | 96h or E2h | | | | | | | |
| DRIVE/HEAD | nu | | | D | nu | | | |
| CYLINDER HI | nu | | | | | | | |
| CYLINDER LOW | nu | | | | | | | |
| SECTOR NUM | nu | | | | | | | |
| SECTOR COUNT | nu | | | | | | | |
| FEATURES | nu | | | | | | | |

6.28 Standby Immediate (94h or E0h)

This command causes the Drive to set BSY, enter the Sleep mode (which corresponds to the ATA Standby Mode), clear BSY and return the interrupt immediately. Recovery from Sleep mode is accomplished by issuing another command. Table 52 defines the Standby Immediate Byte sequence.

Table 52: Standby Immediate

| Task File Register | 7 | 6 | 5 | 4 | 3 | 2 | 1 | 0 |
|--------------------|------------|---|---|---|----|---|---|---|
| COMMAND | 94h or E0h | | | | | | | |
| DRIVE/HEAD | nu | | | D | nu | | | |
| CYLINDER HI | nu | | | | | | | |
| CYLINDER LOW | nu | | | | | | | |
| SECTOR NUM | nu | | | | | | | |
| SECTOR COUNT | nu | | | | | | | |
| FEATURES | nu | | | | | | | |

6.29 Translate Sector (87h)

This command is effectively a NOP command and only implemented for backward compatibility. The Sector Count Register will always be returned with a 'ooh' indicating Translate Sector is not needed.

Table 53 defines the Translate Sector command Byte sequence.

Table 53: Translate Sector

| Task File Register | 7 | 6 | 5 | 4 | 3 | 2 | 1 | 0 |
|--------------------|--------------------------|-----|---|---|------------------|---|---|---|
| COMMAND | 87h | | | | | | | |
| DRIVE/HEAD | 1 | LBA | 1 | D | Head (LBA 27-24) | | | |
| CYLINDER HI | Cylinder High (LBA23-16) | | | | | | | |
| CYLINDER LOW | Cylinder Low (LBA15-8) | | | | | | | |
| SECTOR NUM | nu (LBA7-0) | | | | | | | |
| SECTOR COUNT | nu | | | | | | | |
| FEATURES | nu | | | | | | | |

6.30 Write Buffer (E8h)

The Write Buffer command enables the host to overwrite contents of the Drive's sector buffer with any data pattern desired. This command has the same protocol as the Write Sector(s) command and transfers 512 Bytes.

Table 54 defines the Write Buffer command Byte sequence.

Table 54: Write Buffer

| Task File Register | 7 | 6 | 5 | 4 | 3 | 2 | 1 | 0 |
|--------------------|-----|---|---|---|----|---|---|---|
| COMMAND | E8h | | | | | | | |
| DRIVE/HEAD | nu | | | D | nu | | | |
| CYLINDER HI | nu | | | | | | | |
| CYLINDER LOW | nu | | | | | | | |
| SECTOR NUM | nu | | | | | | | |
| SECTOR COUNT | nu | | | | | | | |
| FEATURES | nu | | | | | | | |

6.31 Write DMA (CAh)

This command uses DMA mode to write from 1 to 256 sectors as specified in the Sector Count register. A sector count of 0 requests 256 sectors. The transfer begins at the sector specified in the Sector Number Register. When this command is issued the Drive sets BSY, puts all or part of the sector of data in the buffer. The Drive is then permitted, although not required, to set DRQ, clear BSY. The Drive asserts DMAREQ while data is available to be transferred. The host then writes the (512 * sector-count) bytes of data to the Drive using DMA. While DMAREQ is asserted by the Drive, the Host asserts -DMACK while it is ready to transfer data by DMA and asserts -IOWR once for each 16 bit word to be transferred from the Host.

Interrupts are not generated on every sector, but upon completion of the transfer of the entire number of sectors to be transferred or upon the occurrence of an unrecoverable error. At command completion, the Command Block Registers contain the cylinder, head and sector number of the last sector written. If an error occurs, the write terminates at the sector where the error occurred. The Command Block Registers contain the cylinder, head, and sector number of the sector where the error occurred. The amount of data transferred is indeterminate.

When a Write DMA command is received by the Drive and 8 bit transfer mode has been enabled by the Set Features command, the Drive shall return the Aborted error.

Table 55: Write DMA

| Task File Register | 7 | 6 | 5 | 4 | 3 | 2 | 1 | 0 |
|--------------------|--------------------------|---|---|---|------------------|---|---|---|
| COMMAND | CAh | | | | | | | |
| DRIVE/HEAD | LBA | | | D | Head (LBA 27-24) | | | |
| CYLINDER HI | Cylinder High (LBA23-16) | | | | | | | |
| CYLINDER LOW | Cylinder Low (LBA15-8) | | | | | | | |
| SECTOR NUM | Sector number (LBA7-0) | | | | | | | |
| SECTOR COUNT | Sector Count | | | | | | | |
| FEATURES | nu | | | | | | | |

6.32 Write Multiple Command (C5h)

This command is similar to the Write Sectors command. The Drive sets BSY within 400ns of accepting the command. Interrupts are not presented on each sector but on the transfer of a block which contains the number of sectors defined by Set Multiple. Command execution is identical to the Write Sectors operation except that the number of sectors defined by the Set Multiple command is transferred without intervening interrupts. DRQ qualification of the transfer is required only at the start of the data block, not on each sector. The block count of sectors to be transferred without intervening interrupts is programmed by the Set Multiple Mode command, which must be executed prior to the Write Multiple command.

When the Write Multiple command is issued, the Sector Count Register contains the number of sectors (not the number of blocks or the block count) requested. If the number of requested sectors is not evenly divisible by the sector/block, as many full blocks as possible are transferred, followed by a final, partial block transfer. The partial block transfer is for n sectors, where:

$$n = (\text{sector count}) \text{ module } (\text{block count}).$$

If the Write Multiple command is attempted before the Set Multiple Mode command has been executed or when Write Multiple commands are disabled, the Write Multiple operation will be rejected with an aborted command error.

Errors encountered during Write Multiple commands are posted after the attempted writes of the block or partial block transferred. The Write command ends with the sector in error, even if it is in the middle of a block.

Subsequent blocks are not transferred in the event of an error. Interrupts are generated when DRQ is set at the beginning of each block or partial block.

The Command Block Registers contain the cylinder, head and sector number of the sector where the error occurred and the Sector Count Register contains the residual number of sectors that need to be transferred for successful completion of the command. For example, each block has 4 sectors, a request for 8 sectors is issued and an error occurs on the third sector. The Sector Count Register contains 6 and the address is that of the third sector.

Note: The current revision of the Drive only supports a block count of 1 as indicated in the Identify Drive Command information. The Write Multiple command is provided for compatibility with future products which may support a larger block count.

Table 56 defines the Write Multiple command Byte sequence.

Table 56: Write Multiple

| Task File Register | 7 | 6 | 5 | 4 | 3 | 2 | 1 | 0 |
|--------------------|--------------------------|-----|---|---|------------------|---|---|---|
| COMMAND | C5h | | | | | | | |
| DRIVE/HEAD | 1 | LBA | 1 | D | Head (LBA 27-24) | | | |
| CYLINDER HI | Cylinder High (LBA23-16) | | | | | | | |
| CYLINDER LOW | Cylinder Low (LBA15-8) | | | | | | | |
| SECTOR NUM | Sector number (LBA7-0) | | | | | | | |
| SECTOR COUNT | Sector Count | | | | | | | |
| FEATURES | nu | | | | | | | |

6.33 Write Multiple without Erase (CDh)

This command is similar to the Write Multiple command with the exception that an implied erase before write operation is not performed. The sectors should be pre-erased with the Erase Sector(s) command before this command is issued. Table 57 defines the Write Multiple without Erase command Byte sequence.

Table 57: Write Multiple without Erase

| Task File Register | 7 | 6 | 5 | 4 | 3 | 2 | 1 | 0 |
|--------------------|--------------------------|-----|---|---|------------------|---|---|---|
| COMMAND | CDh | | | | | | | |
| DRIVE/HEAD | 1 | LBA | 1 | D | Head (LBA 27-24) | | | |
| CYLINDER HI | Cylinder High (LBA23-16) | | | | | | | |
| CYLINDER LOW | Cylinder Low (LBA15-8) | | | | | | | |
| SECTOR NUM | Sector number (LBA7-0) | | | | | | | |
| SECTOR COUNT | Sector Count | | | | | | | |
| FEATURES | nu | | | | | | | |

6.34 Write Sector(s) (30h)

This command writes from 1 to 256 sectors as specified in the Sector Count Register. A sector count of zero requests 256 sectors. The transfer begins at the sector specified in the Sector Number Register. When this command is accepted, the Drive sets BSY, sets DRQ and clears BSY, then waits for the host to fill the sector buffer with the data to be written. No interrupt is generated to start the first host transfer operation. No data should be transferred by the host until BSY has been cleared by the host.

For multiple sectors, after the first sector of data is in the buffer, BSY will be set and DRQ will be cleared. After the next buffer is ready for data, BSY is cleared, DRQ is set and an interrupt is generated. When the final sector of data is transferred, BSY is set and DRQ is cleared. It will remain in this state until the command is completed at which time BSY is cleared and an interrupt is generated. If an error occurs during a write of more than one sector, writing terminates at the sector where the error occurred. The Command Block Registers contain the cylinder, head and sector number of the sector where the error occurred. The host may then read the command block to determine what error has occurred, and on which sector. Table 58 defines the Write Sector(s) command Byte sequence.

Table 58: Write Sector(s)

| Task File Register | 7 | 6 | 5 | 4 | 3 | 2 | 1 | 0 |
|--------------------|--------------------------|-----|---|---|------------------|---|---|---|
| COMMAND | 30h | | | | | | | |
| DRIVE/HEAD | 1 | LBA | 1 | D | Head (LBA 27-24) | | | |
| CYLINDER HI | Cylinder High (LBA23-16) | | | | | | | |
| CYLINDER LOW | Cylinder Low (LBA15-8) | | | | | | | |
| SECTOR NUM | Sector number (LBA7-0) | | | | | | | |
| SECTOR COUNT | Sector Count | | | | | | | |
| FEATURES | nu | | | | | | | |

6.35 Write Sector(s) without Erase (38h)

This command is similar to the Write Sector(s) command with the exception that an implied erase before write operation is not performed. This command has the same protocol as the Write Sector(s) command. The sectors should be pre-erased with the Erase Sector(s) command before this command is issued. If the sector is not pre-erased a normal write sector operation will occur. Table 59 defines the Write Sector(s) without Erase command Byte sequence.

Table 59: Write Sector(s) without Erase

| Task File Register | 7 | 6 | 5 | 4 | 3 | 2 | 1 | 0 |
|--------------------|--------------------------|-----|---|---|------------------|---|---|---|
| COMMAND | 38h | | | | | | | |
| DRIVE/HEAD | 1 | LBA | 1 | D | Head (LBA 27-24) | | | |
| CYLINDER HI | Cylinder High (LBA23-16) | | | | | | | |
| CYLINDER LOW | Cylinder Low (LBA15-8) | | | | | | | |
| SECTOR NUM | Sector number (LBA7-0) | | | | | | | |
| SECTOR COUNT | Sector Count | | | | | | | |
| FEATURES | nu | | | | | | | |

7 S.M.A.R.T. Functionality

The SSD supports the following SMART commands, determined by the Feature Register value.

Table 60: S.M.A.R.T. Features Supported

| Feature | Operation |
|---------|----------------------------------|
| D0h | SMART Read Data |
| D1h | SMART Read Attribute Thresholds |
| D2h | SMART Enable/Disable Autosave |
| D3h | SMART Save Attribute Values |
| D4h | SMART Execute OFF-LINE Immediate |
| D8h | SMART Enable Operations |
| D9h | SMART Disable Operations |
| DAh | SMART Return Status |

SMART commands with Feature Register values not mentioned in the above table are not supported, and will be aborted.

7.1 S.M.A.R.T. Enable / Disable operations

This command enables / disables access to the SMART capabilities of the SSD. The state of SMART (enabled or disabled) is preserved across power cycles.

Table 61: S.M.A.R.T. Enable / Disable operations (Feature D8h / D9h)

| Task File Register | 7 | 6 | 5 | 4 | 3 | 2 | 1 | 0 |
|--------------------|-----------|---|---|---|----|---|---|---|
| COMMAND | Boh | | | | | | | |
| DRIVE/HEAD | 1 | 1 | 1 | D | nu | | | |
| CYLINDER HI | C2h | | | | | | | |
| CYLINDER LOW | 4Fh | | | | | | | |
| SECTOR NUM | nu | | | | | | | |
| SECTOR COUNT | nu | | | | | | | |
| FEATURES | D8h / D9h | | | | | | | |

7.2 S.M.A.R.T. Return Status

This command checks the device reliability status. If the number of available spare blocks drops below an internal threshold, the device will set the Cylinder Low register to F4h and the Cylinder High register to 2Ch. If no threshold exceeded condition exists, the device will set the Cylinder Low register to 4Fh and the Cylinder High register to C2h.

Table 62: S.M.A.R.T. return status (Feature DAh)

| Task File Register | 7 | 6 | 5 | 4 | 3 | 2 | 1 | 0 |
|--------------------|-----|---|---|---|----|---|---|---|
| COMMAND | Boh | | | | | | | |
| DRIVE/HEAD | 1 | 1 | 1 | D | nu | | | |
| CYLINDER HI | C2h | | | | | | | |
| CYLINDER LOW | 4Fh | | | | | | | |
| SECTOR NUM | nu | | | | | | | |
| SECTOR COUNT | nu | | | | | | | |
| FEATURES | DAh | | | | | | | |

7.3 S.M.A.R.T. Enable / Disable Attribute Autosave

This command is effectively a no-operation as the data for the SMART functionality is always available and kept current in the SSD.

Table 63: S.M.A.R.T. Enable / Disable Attribute Autosave (Feature D2h)

| Task File Register | 7 | 6 | 5 | 4 | 3 | 2 | 1 | 0 |
|--------------------|--------------------------------|---|---|---|----|---|---|---|
| COMMAND | Boh | | | | | | | |
| DRIVE/HEAD | 1 | 1 | 1 | D | nu | | | |
| CYLINDER HI | C2h | | | | | | | |
| CYLINDER LOW | 4Fh | | | | | | | |
| SECTOR NUM | nu | | | | | | | |
| SECTOR COUNT | F1h or 00h (enable or disable) | | | | | | | |
| FEATURES | D2h | | | | | | | |

7.4 S.M.A.R.T. Save Attribute Values

This command causes the device to immediately save any updated attribute values to the device's non-volatile memory regardless of the state of the attribute autosave timer. Upon receipt of this command from the host, the device sets BSY, writes any updated attribute values to non-volatile memory, clears BSY, and asserts INTRQ. This command is effectively a no-operation command.

Table 64: S.M.A.R.T. Save Attribute Values (Feature D3h)

| Task File Register | 7 | 6 | 5 | 4 | 3 | 2 | 1 | 0 |
|--------------------|-----|---|---|---|----|---|---|---|
| COMMAND | Boh | | | | | | | |
| DRIVE/HEAD | 1 | 1 | 1 | D | nu | | | |
| CYLINDER HI | C2h | | | | | | | |
| CYLINDER LOW | 4Fh | | | | | | | |
| SECTOR NUM | Nu | | | | | | | |
| SECTOR COUNT | nu | | | | | | | |
| FEATURES | D3h | | | | | | | |

7.5 S.M.A.R.T. Execute OFF-LINE Immediate

This command is effectively a no-operation as the data for the SMART functionality is always available and kept current in the SSD.

Table 65: S.M.A.R.T. Execute OFF-LINE Immediate (Feature D4h)

| Task File Register | 7 | 6 | 5 | 4 | 3 | 2 | 1 | 0 |
|--------------------|--------------------------|---|---|---|----|---|---|---|
| COMMAND | Boh | | | | | | | |
| DRIVE/HEAD | 1 | 1 | 1 | D | nu | | | |
| CYLINDER HI | C2h | | | | | | | |
| CYLINDER LOW | 4Fh | | | | | | | |
| SECTOR NUM | nu (Subcommand specific) | | | | | | | |
| SECTOR COUNT | nu | | | | | | | |
| FEATURES | D4h | | | | | | | |

7.6 S.M.A.R.T. Read data

This command returns one sector of SMART data.

Table 66: S.M.A.R.T. read data (Feature D0h)

| Task File Register | 7 | 6 | 5 | 4 | 3 | 2 | 1 | 0 |
|--------------------|-----|---|---|---|----|---|---|---|
| COMMAND | Boh | | | | | | | |
| DRIVE/HEAD | 1 | 1 | 1 | D | nu | | | |
| CYLINDER HI | C2h | | | | | | | |
| CYLINDER LOW | 4Fh | | | | | | | |
| SECTOR NUM | nu | | | | | | | |
| SECTOR COUNT | nu | | | | | | | |
| FEATURES | D0h | | | | | | | |

The data structure returned is:

Table 67: S.M.A.R.T. Data Structure

| Offset | Typ. Value | Description |
|-----------|------------|---|
| 0..1 | 0100h | SMART structure version |
| 2..361 | 30x12Bytes | Attribute entries 1 to 30 (12 bytes each, little endian, see below) |
| 362 | 31h | Off-line data collection status (no off-line data collection) |
| 363 | 00h | Self-test execution status byte (self-test completed) |
| 364..365 | 3200h | Total time in seconds to complete off-line data collection |
| 366 | 00h | Vendor specific |
| 367 | 00h | Off-line data collection capability (no off-line data collection) |
| 368..369 | 0200h | SMART capabilities |
| 370 | 00h | Error logging capability (no error logging) |
| 371 | 00h | Vendor specific |
| 372 | 01h | Short self-test routine recommended polling time |
| 373 | 01h | Extended self-test routine recommended polling time |
| 374 | 00h | Conveyance self-test routine recommended polling time |
| 375..385 | 00h | Reserved |
| 386..395 | XXh | Firmware Version/Date code (e.g. 2010-01-06) |
| 396...397 | ooXXh* | Initial invalid block (big endian) |
| 398..399 | ooXXh* | Run time invalid block (big endian) |
| 400...406 | SML2242 | Controller |
| 407...415 | 00h | Reserved |
| 416 | 00h | Non-Hybride Mode |
| 417 | | Reserved |
| 418...419 | ooXXh* | Number of spare blocks (big endian) |
| 420...423 | XXXXXXXXh* | Average Erase Count (big endian) |
| 424...425 | XXXXh | Current child pair (big endian) |
| 426...431 | 00h | Reserved |
| 432...510 | 00h | Vendor specific |
| 511 | XXh | Data structure checksum |

* These fields changes during operation and give life time information.

There are 12 attributes that are defined in the SSD. These return their data in the attribute section of the SMART data, using a 12 byte data field.

Only the "Power_Cycle_Count"-Attribute counts the power-on cycles, all other attributes keep at 100% and raw value 0. The Threshold values can be read out with the separate command (see Table 70).

Table 68: S.M.A.R.T. Attributes

| ID | Description | Value | Worst | Thresh | Raw Value |
|-----|--------------------------|-------|-------|--------|-----------------|
| 1 | Raw_Read_Error_Rate | 100 | 100 | 000 | 0 |
| 2 | Throughput_Performance | 100 | 100 | 000 | 0 |
| 5 | Reallocated_Sector_Count | 100 | 100 | 000 | 0 |
| 7 | Seek_Error_Rate | 100 | 100 | 000 | 0 |
| 8 | Seek_Time_Performance | 100 | 100 | 000 | 0 |
| 12 | Power_Cycle_Count | 100 | 100 | 000 | XXXXXXXX |
| 195 | Hardware_ECC_Recovered | 100 | 100 | 000 | 0 |
| 196 | Reallocated_Event_Count | 100 | 100 | 000 | 0 |
| 197 | Current_Pending_Sector | 100 | 100 | 000 | 0 |
| 198 | Offline_Uncorrectable | 100 | 100 | 000 | 0 |
| 199 | UDMA_CRC_Error_Count | 100 | 100 | 000 | 0 |
| 200 | Multi_Zone_Error_Rate | 100 | 100 | 000 | 0 |

7.6.1 Attribute Entries

This table shows the structure of the S.M.A.R.T. attribute entries in the S.M.A.R.T. data structure.

Table 69: Attribute Entry

| Offset | Value | Description |
|--------|-----------|---|
| 0 | xxh | Attribute ID – (see Table 68) |
| 1..2 | 0000h | Flags – Old age |
| 3 | 64h | Attribute value. The value returned here is the minimum percentage of remaining value |
| 4 | 64h | Worst value. The value returned here is the minimum percentage of remaining value |
| 5..8 | xxxxxxxxh | Raw value (little endian) Only Power cycle count has real values |
| 9..11 | | reserved |

7.6.2 S.M.A.R.T. Read Attribute Thresholds

This command returns one sector of SMART attribute thresholds.

Table 70: S.M.A.R.T. read data thresholds (Feature D1h)

| Task File Register | 7 | 6 | 5 | 4 | 3 | 2 | 1 | 0 |
|--------------------|-----|---|---|---|----|---|---|---|
| COMMAND | Boh | | | | | | | |
| DRIVE/HEAD | 1 | 1 | 1 | D | nu | | | |
| CYLINDER HI | C2h | | | | | | | |
| CYLINDER LOW | 4Fh | | | | | | | |
| SECTOR NUM | nu | | | | | | | |
| SECTOR COUNT | nu | | | | | | | |
| FEATURES | D1h | | | | | | | |

The data structure returned is:

Table 71: S.M.A.R.T. Data Threshold Structure

| Offset | Value | Description |
|----------|-------|---|
| 0..1 | 0100h | SMART structure version |
| 2..361 | | Attribute threshold entries 1 to 30 (12 bytes each) |
| 362..379 | 00h | Reserved |
| 380..510 | 00h | - |
| 511 | | Data structure checksum |

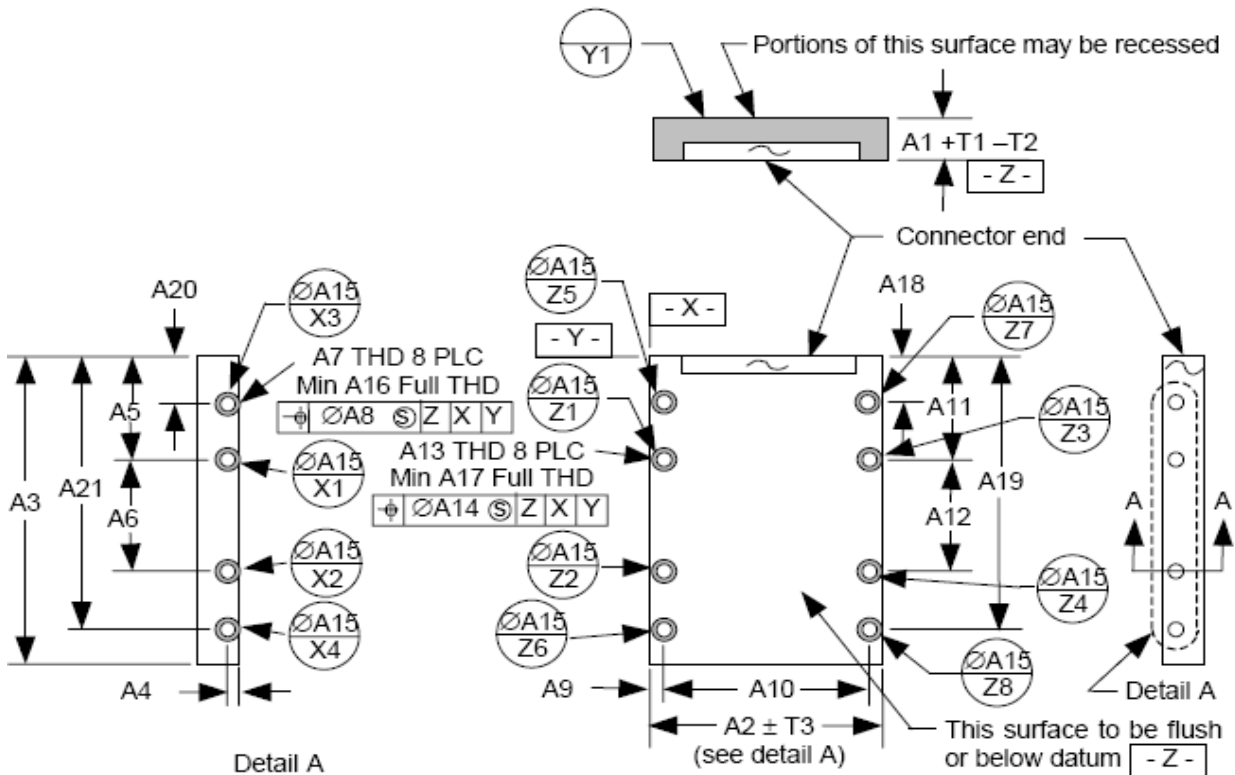
This table shows the structure of the S.M.A.R.T. attribute entries in the S.M.A.R.T. data structure.

Table 72: Attribute Threshold Entry

| Offset | Value | Description |
|--------|-------|---------------------------------------|
| 0 | xxh | Attribute ID – (see Table 68) |
| 1 | 00h | Attribute Threshold (always passing) |
| 2..11 | | reserved |

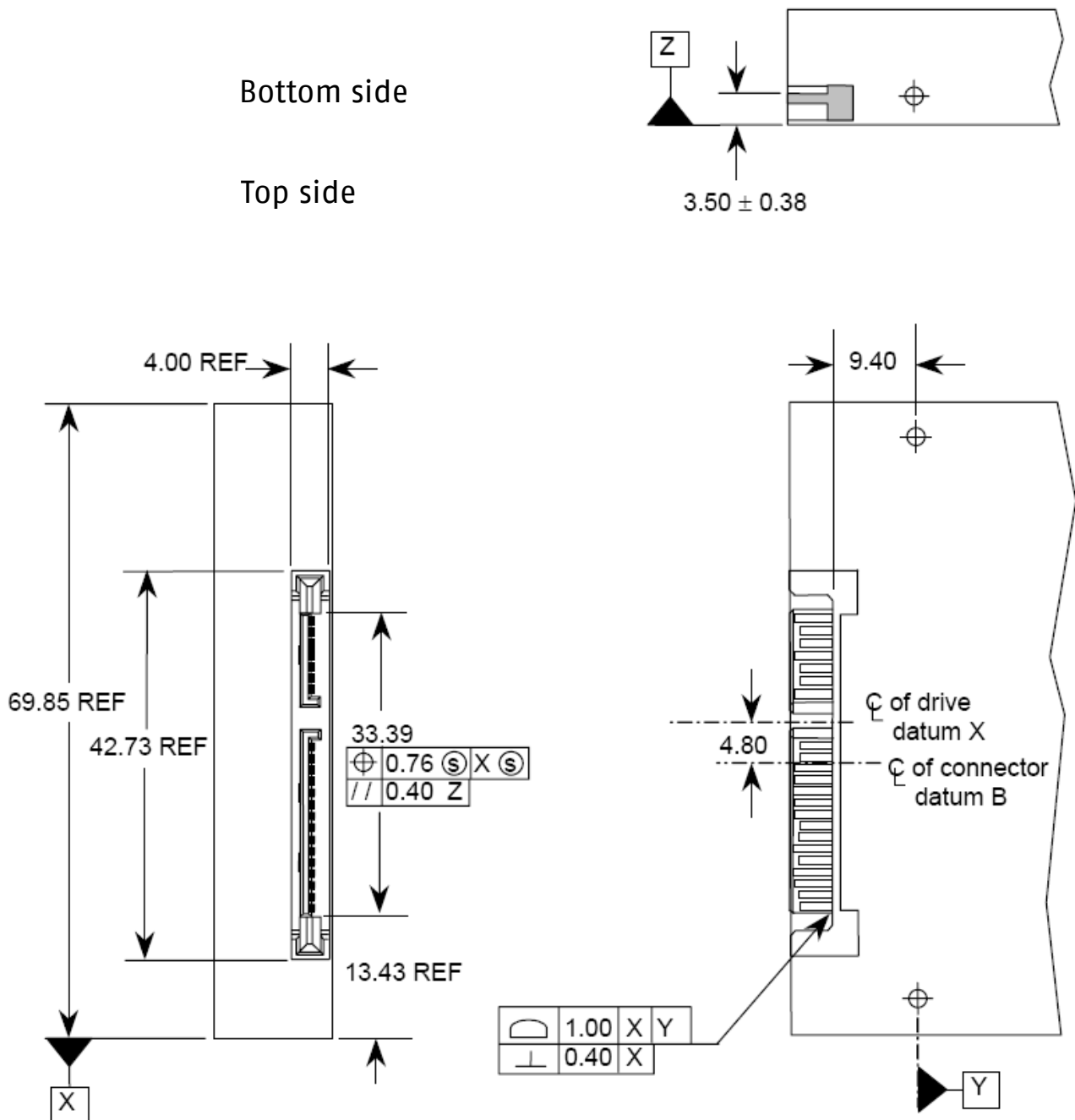
8 Package mechanical

Figure 1: SSD Drive Dimensions



| Dimension | | mm | inches |
|---------------------|---------|--------|--------|
| Height | A1 | 9.0 | 0.354 |
| Width | A2 | 69.9 | 2.752 |
| Max. Length | A3 | 100.30 | 3.94 |
| Hole height | A4 | 3.0 | 0.118 |
| 2. hole | A5 | 34.9 | 1.375 |
| 3. hole | A6 | 38.1 | 1.5 |
| | A7 | n/a | n/a |
| | A8 | 0.5 | 0.02 |
| Hole position | A9 | 4.1 | 0.16 |
| Hole distance | A10 | 61.7 | 2.43 |
| 2. hole | A11 | 34.9 | 1.375 |
| 3. hole | A12 | 38.1 | 1.5 |
| | A13 | n/a | n/a |
| | A14 | 0.05 | 0.02 |
| Screw head diameter | A15 | 6.0 | 0.315 |
| Hole depth bottom | A16 min | 5.0 | 0.2 |
| Hole depth side | A17 min | 5.0 | 0.2 |
| 1. hole | A18 | 14.0 | 0.551 |
| 4. hole | A19 | 90.6 | 3.567 |
| 1. hole | A20 | 14.0 | 0.551 |
| 4. hole | A21 | 90.6 | 3.567 |
| +Height tolerance | T1 | 0.1 | 0.005 |
| -Height tolerance | T2 | 0.25 | 0.01 |
| Width tolerance | T3 | 0.25 | 0.01 |

Figure 2: Connector location



9 CE Declaration of Conformity

We

Manufacturer: Swissbit AG
Industriestrasse 4
CH-9552 Bronschhofen
Switzerland

declare under our sole responsibility that the product

Product Type: Solid State Drive (SSD)
Brand Name: SWISSMEMORY™ SSD
Product Series: X-200
Part Number: SFSAxxxxQxxxxxx-x-xx-xxx-xxx

to which this declaration relates is in conformity with the following directives:

CENELEC EN 55022B :2000 + CISPR22B :2000
CENELEC EN 55024 :2001 + CISPR24 :2001
FCC47 Part 15 Subpart B
2002/96/EC Category 3 (WEEE)

following the provisions of Directive

Electromagnetic compatibility 2004/108/EC
Restriction of the use of certain hazardous substances 2011/65/EU

Swissbit AG, December 2012



Manuela Kögel
Head of Quality Management

10 RoHS and WEEE update from Swissbit

Dear Valued Customer,

We at Swissbit place great value on the environment and thus pay close attention to the diverse aspects of manufacturing environmentally and health friendly products. The European Parliament and the Council of the European Union have published two Directives defining a European standard for environmental protection. This states that Solid State Drives must comply with both Directives in order for them to be sold on the European market:

- **RoHS** – Restriction of Hazardous Substances
- **WEEE** – Waste Electrical and Electronic Equipment

Swissbit would like to take this opportunity to inform our customers about the measures we have implemented to adapt all our products to the European norms.

What is the WEEE Directive (2002/96/EC)?

The Directive covers the following points:

- Prevention of WEEE
- Recovery, recycling and other measures leading to a minimization of wastage of electronic and electrical equipment
- Improvement in the quality of environmental performance of all operators involved in the EEE life cycle, as well as measures to incorporate those involved at the EEE waste disposal points

What are the key elements?

The WEEE Directive covers the following responsibilities on the part of producers:

Producers must draft a disposal or recovery scheme to dispose of EEE correctly.
Producers must be registered as producers in the country in which they distribute the goods.
They must also supply and publish information about the EEE categories.
Producers are obliged to finance the collection, treatment and disposal of WEEE.

Inclusion of WEEE logos on devices

In reference to the Directive, the WEEE logo must be printed directly on all devices that have sufficient space. «In exceptional cases where this is necessary because of the size of the product, the symbol of the WEEE Directive shall be printed on the packaging, on the instructions of use and on the warranty» (WEEE Directive 2002/96/EC)

When does the WEEE Directive take effect?

The Directive came into effect internationally on 13 August, 2005.

What is RoHS (2002/95/EC)?

The goals of the Directive are to:

- Place less of a burden on human health and to protect the environment by restricting the use of hazardous substances in new electrical and electronic devices
- To support the WEEE Directive (see above)

RoHS enforces the restriction of the following 6 hazardous substances in electronic and electrical devices:

- Lead (Pb) – no more than 0.1% by weight in homogeneous materials
- Mercury (Hg) – no more than 0.1% by weight in homogeneous materials
- Cadmium (Cd) – no more than 0.01% by weight in homogeneous materials
- Chromium (Cr6+) – no more than 0.1% by weight in homogeneous materials
- PBB, PBDE – no more than 0.1% by weight in homogeneous materials

Swissbit is obliged to minimize the hazardous substances in the products.

According to part of the Directive, manufacturers are obliged to make a self-declaration for all devices with RoHS. Swissbit carried out intensive tests to comply with the self-declaration. We have also already taken steps to have the analyses of the individual components guaranteed by third-party companies.

Swissbit carried out the following steps during the year with the goal of offering our customers products that are fully compliant with the RoHS Directive.

- **Preparing all far-reaching directives, logistical enhancements and alternatives regarding the full understanding and introduction of the RoHS Directive's standards**
- **Checking the components and raw materials:**
 - Replacing non-RoHS-compliant components and raw materials in the supply chain
 - Cooperating closely with suppliers regarding the certification of all components and raw materials used by Swissbit
- **Modifying the manufacturing processes and procedures**
 - Successfully adapting and optimizing the new management-free integration process in the supply chain
 - Updating existing production procedures and introducing the new procedures to support the integration process and the sorting of materials
- **Carrying out the quality process**
 - Performing detailed function and safety tests to ensure the continuous high quality of the Swissbit product line

When does the RoHS Directive take effect?

As of 1 July, 2006, only new electrical and electronic devices with approved quantities of RoHS will be put on the market.

When will Swissbit be offering RoHS-approved products?

Swissbit's RoHS-approved products are available now. Please contact your Swissbit contact person to find out more about exchanging your existing products for RoHS-compliant devices.

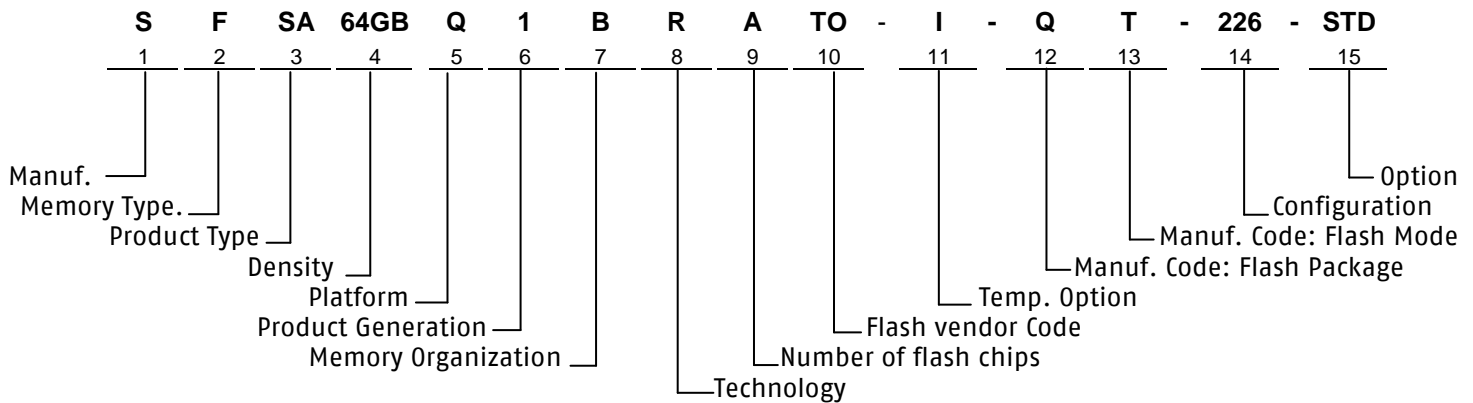
For your attention

We understand that packaging and accessories are not EEE material and are therefore not subject to the WEEE or RoHS Directives.

Contact details:

Swissbit AG
Industriestrasse 4
CH-9552 Bronschhofen
Tel: +41 71 913 03 03 – Fax: +41 71 913 03 15
E-mail: industrial@swissbit.com – Website: www.swissbit.com

11 Part Number Decoder



11.1 Manufacturer

| | |
|---------------|---|
| Swissbit code | S |
|---------------|---|

11.2 Memory Type

| | |
|-------|---|
| Flash | F |
|-------|---|

11.3 Product Type

| | |
|----------------|----|
| SATA-Interface | SA |
|----------------|----|

11.4 Density

| | |
|-----------|------|
| 4 GByte | 4096 |
| 8 GByte | 8192 |
| 16 GByte | 16GB |
| 32 GByte | 32GB |
| 64 GByte | 64GB |
| 128 GByte | 128G |

11.5 Platform

| | |
|----------|---|
| SSD 2.5" | Q |
|----------|---|

11.6 Product Generation

11.7 Memory Organization

| | |
|----|---|
| x8 | B |
|----|---|

11.8 Technology

| | |
|--------------|---|
| X-200 Series | R |
|--------------|---|

11.9 Number of Flash Chip

| | |
|----------|---|
| 4 Flash | 4 |
| 8 Flash | 8 |
| 16 Flash | A |

11.10 Flash Code

| | |
|---------|----|
| Samsung | SA |
| Toshiba | TO |
| Micron | MT |

11.11 Temp. Option

| | | |
|------------------------|--------------|---|
| Industrial Temp. Range | -40°C – 85°C | I |
| Standard Temp. Range | 0°C – 70°C | C |

11.12 DIE Classification

| | |
|-------------------------------|---|
| SLC MONO (single die package) | M |
| SLC DDP (dual die package) | D |
| SLC QDP (quad die package) | Q |
| SLC ODP (octal die package) | N |

11.13 PIN Mode

| | TSOP | LGA |
|----------------------|------|-----|
| Single nCE & R/nB | S | A |
| Dual nCE & Dual R/nB | T | B |
| Quad nCE & Quad R/nB | U | C |

11.14 Drive configuration XYZ

X → Type

| Drive Mode | PIO | DMA support | X |
|------------|-----|-------------|---|
| Fix | yes | yes | 2 |

Y → Firmware Revision

| FW Revision | Y |
|-------------|---|
| First | 1 |
| Second | 2 |

Z → max. transfer mode

| Max PIO Mode / CIS | Z |
|---|---|
| UDMA6 (MDMA ₂ , PIO ₄) | 6 |

11.15 Option

| | |
|---------------------|-----|
| Swissbit / Standard | STD |
|---------------------|-----|

12 Swissbit SSD Marking specification

12.1 Top view



Industrial Drive

12.1.1 Label content:

- Swissbit logo
- Density
- CE logo
- FCC logo
- Pb-free logo
- WEEE logo
- Part number
- Assembly lot information
- Made in Germany
- Manufacturing Date

13 Revision History

Table 73: Document Revision History

| Date | Revision | Revision Details |
|-------------------|----------|--|
| 29-September-2010 | 1.00 | Initial release |
| 17-August-2011 | 1.10 | Small performance correction, S.M.A.R.T. added to feature list |
| 31-October-2011 | 1.11 | 32GB and 64GB speed modified |
| 02-January-2012 | 1.2 | different LBA density for 64GB Firmware "2" |
| 22-February-2012 | 1.3 | New 128GB SSD with Micron Flash added |
| 14-December-2012 | 1.40 | New CE Declaration |

Disclaimer:

No part of this document may be copied or reproduced in any form or by any means, or transferred to any third party, without the prior written consent of an authorized representative of Swissbit AG ("SWISSBIT"). The information in this document is subject to change without notice. SWISSBIT assumes no responsibility for any errors or omissions that may appear in this document, and disclaims responsibility for any consequences resulting from the use of the information set forth herein. SWISSBIT makes no commitments to update or to keep current information contained in this document. The products listed in this document are not suitable for use in applications such as, but not limited to, aircraft control systems, aerospace equipment, submarine cables, nuclear reactor control systems and life support systems. Moreover, SWISSBIT does not recommend or approve the use of any of its products in life support devices or systems or in any application where failure could result in injury or death. If a customer wishes to use SWISSBIT products in applications not intended by SWISSBIT, said customer must contact an authorized SWISSBIT representative to determine SWISSBIT willingness to support a given application. The information set forth in this document does not convey any license under the copyrights, patent rights, trademarks or other intellectual property rights claimed and owned by SWISSBIT. The information set forth in this document is considered to be "Proprietary" and "Confidential" property owned by SWISSBIT.

ALL PRODUCTS SOLD BY SWISSBIT ARE COVERED BY THE PROVISIONS APPEARING IN SWISSBIT'S TERMS AND CONDITIONS OF SALE ONLY, INCLUDING THE LIMITATIONS OF LIABILITY, WARRANTY AND INFRINGEMENT PROVISIONS. SWISSBIT MAKES NO WARRANTIES OF ANY KIND, EXPRESS, STATUTORY, IMPLIED OR OTHERWISE, REGARDING INFORMATION SET FORTH HEREIN OR REGARDING THE FREEDOM OF THE DESCRIBED PRODUCTS FROM INTELLECTUAL PROPERTY INFRINGEMENT, AND EXPRESSLY DISCLAIMS ANY SUCH WARRANTIES INCLUDING WITHOUT LIMITATION ANY EXPRESS, STATUTORY OR IMPLIED WARRANTIES OF MERCHANTABILITY OR FITNESS FOR A PARTICULAR PURPOSE.

©2012 SWISSBIT AG All rights reserved.