

# Switchcraft®

## Sealed D-Sub



Panel Mount (DCPDB09MSC1)



Backshell (DCCDB09F)



Connector Cap (DBSCAP)

## Sealed D-Sub (IP-67)

### Features & Benefits:

- Waterproof D-Sub panel connectors and backshell kits meet IP67 rating.
- Rear mounting panel connectors fit into standard D-Sub holes.
- Connectors are available in solder cup, male and female versions.
- Gold plated contacts are standard.
- Backshell kits available for cable diameters 0.138 - 0.276 in (3.51- 7.01 mm).
- D-Sub solder cup contacts accepts wire ranges from 22-26 AWG.
- Panel mount connector comes with 2 mounting screws.
- RoHS compliant.

### Applications:

- Remote or temporary data control centers
- Manufacturing control equipment
- Marine
- Instrumentation for field data collection
- Medical field data collection

D-Sub Panel Mount Series	D-Sub	Gender	Termination Style	Panel
DCP	DB09 = 9 Pin, Standard HD15 = 15 Pin, High Density	M = Male F = Female	SC = Solder Cup	1 = 0.048 - 0.078 in [1.22 - 1.98 mm]

D-Sub Backshell Kit Series	D-Sub	Gender
DCC	DB09 = 9 Pin, Standard HD15 = 15 Pin, High Density	M = Male F = Female

D-Sub Connector Cap Series	Size	Style
DB	S = DB09 or HD15	CAP

**Switchcraft®**  
Harsh Environment  
Connectivity Solutions



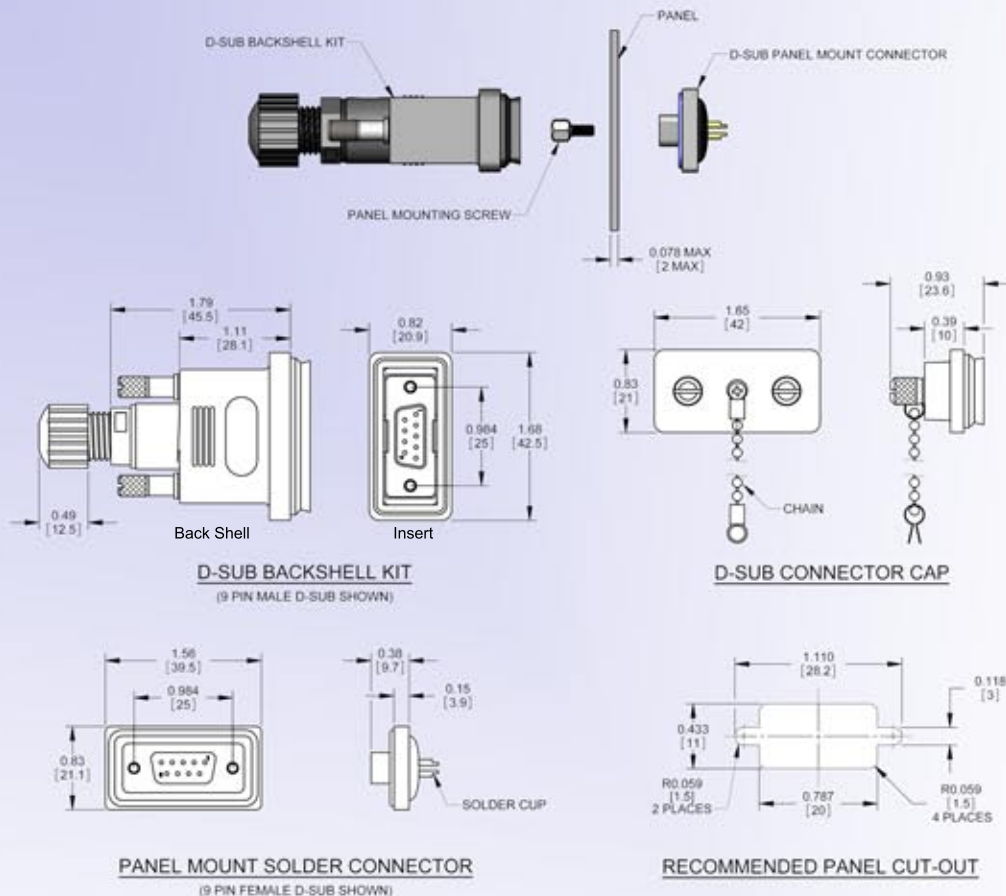
**Switchcraft.com**

5555 N. Elston Avenue, Chicago, IL 60630  
Phone: 773-792-2700 - Fax: 773-792-2129

Please check our website [www.switchcraft.com](http://www.switchcraft.com) for the most up-to-date product specifications

# Switchcraft®

## Sealed D-Sub



### Electrical Specifications

#### **Current Rating:**

Standard D-Sub (9 contact) – 5A

High Density D-Sub (15 contact) 2A

**Dielectric Withstanding Voltage:** 1000V AC for 1 minute

**Contact Resistance:** < 25mΩ

**Insulation Resistance:** > 500MΩ @ 500V DC

### Mechanical Specifications

**Life:** ≥ 500 Cycles

### Environmental Specifications

**Operating Temperature:** -55°C to 185°C

**Thermal Shock:** Meets MIL-STD 202G, Method 107G  
Condition A

### Ratings

**IP Rating:** IP67

### Material Specifications

#### **D-Sub Backshell Kit**

**Housing, Clamp, & Nut:** Thermoplastic, Black

**Insulator:** Thermoplastic (UL9 IV-0)

**Gasket & Seal:** Silicone, Black

**Shell:** Steel, Tin Plated

**Screw:** Copper Alloy, Nickel Plated

**Contact Pins:** Copper Alloy, Gold Plated

#### **D-Sub Panel Mount Connector**

**Flange & Insulator:** Thermoplastic (UL94V-0)

**Shell:** Steel, Tin Plated

**Epoxy:** Epoxy, Black

**O-Ring:** Silicone, Light Blue

**Screw:** Copper Alloy, Nickel Plated

**Contact Pin:** Copper Alloy, Gold Plated

#### **D-Sub Connector Cap**

**Body:** Thermoplastic, Black

**Gasket & O-ring:** Silicone, Black

**Screw:** Copper Alloy, Nickel Plated

**Chain:** Stainless Steel

**Switchcraft®**  
Harsh Environment  
Connectivity Solutions



**Switchcraft.com**

5555 N. Elston Avenue, Chicago, IL 60630  
Phone: 773-792-2700 - Fax: 773-792-2129

Please check our website [www.switchcraft.com](http://www.switchcraft.com) for the most up-to-date product specifications