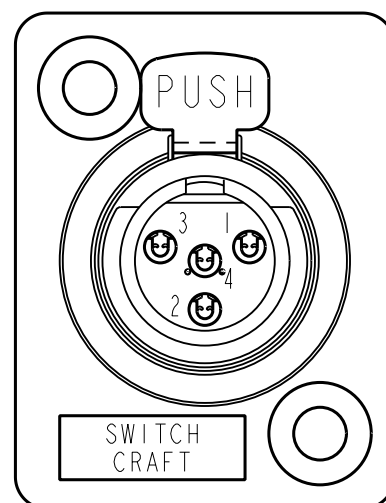
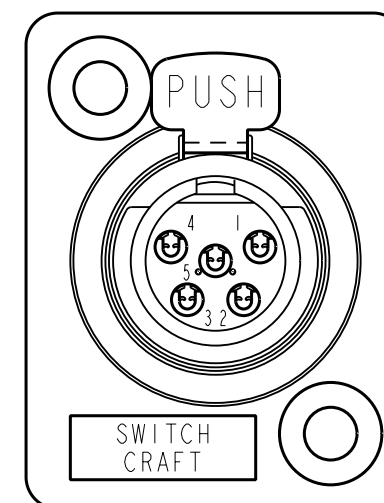


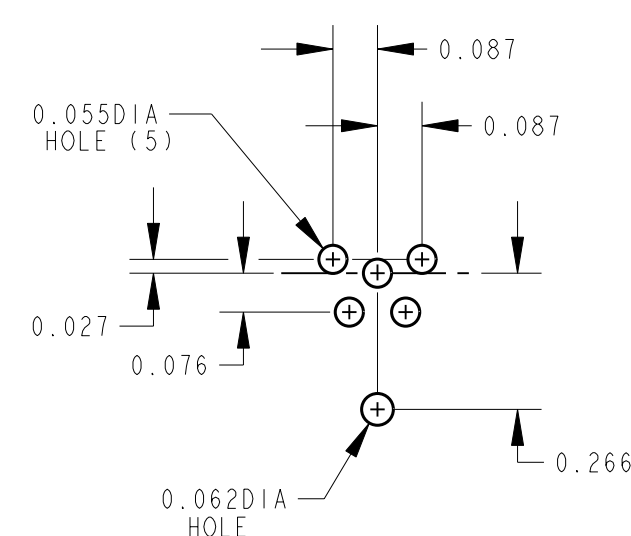
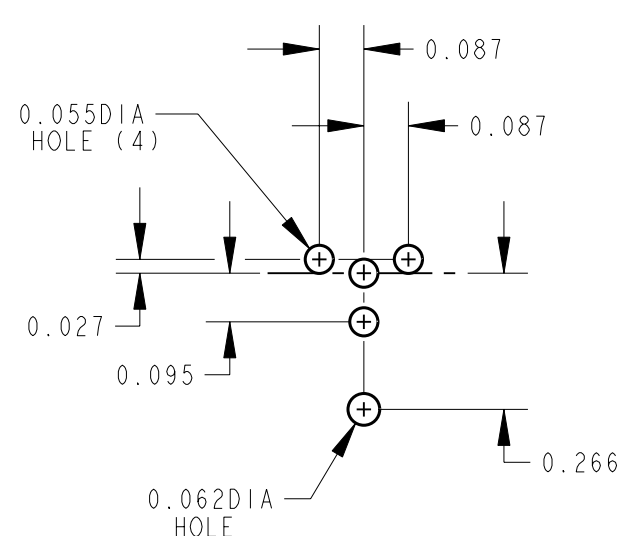
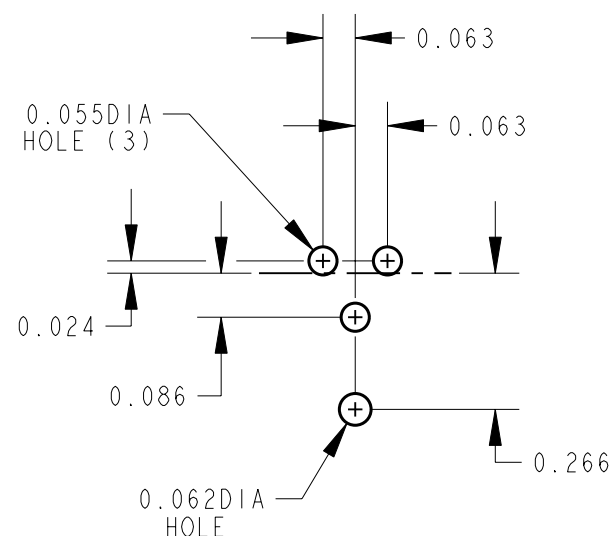
3 PIN



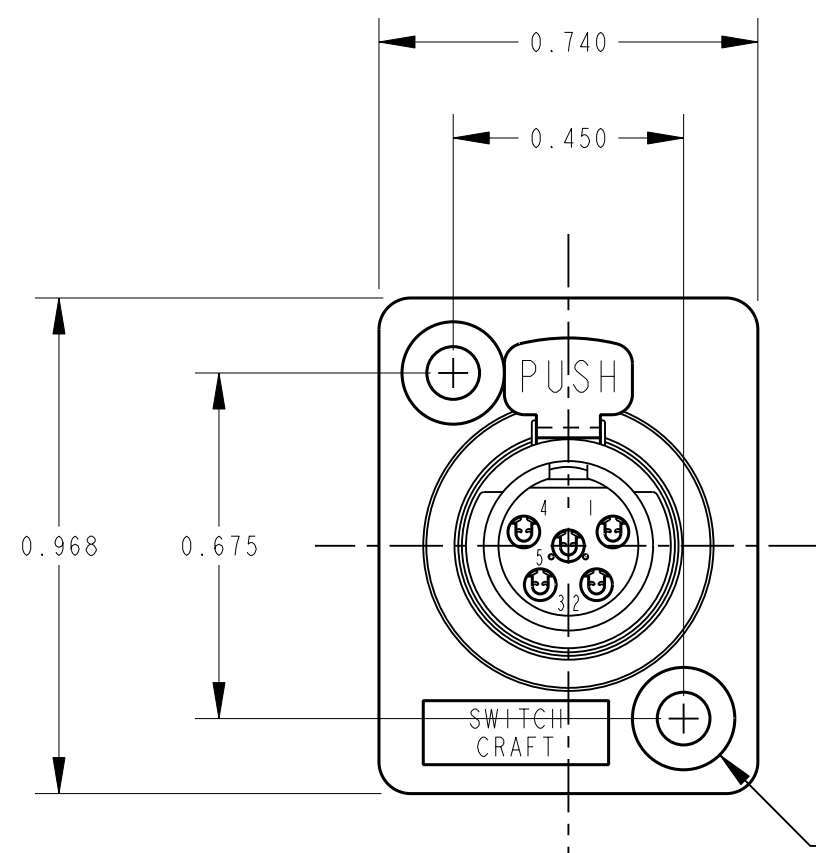
4 PIN



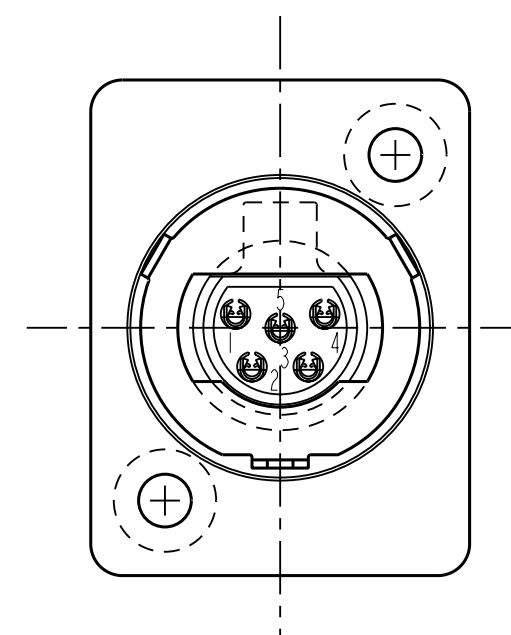
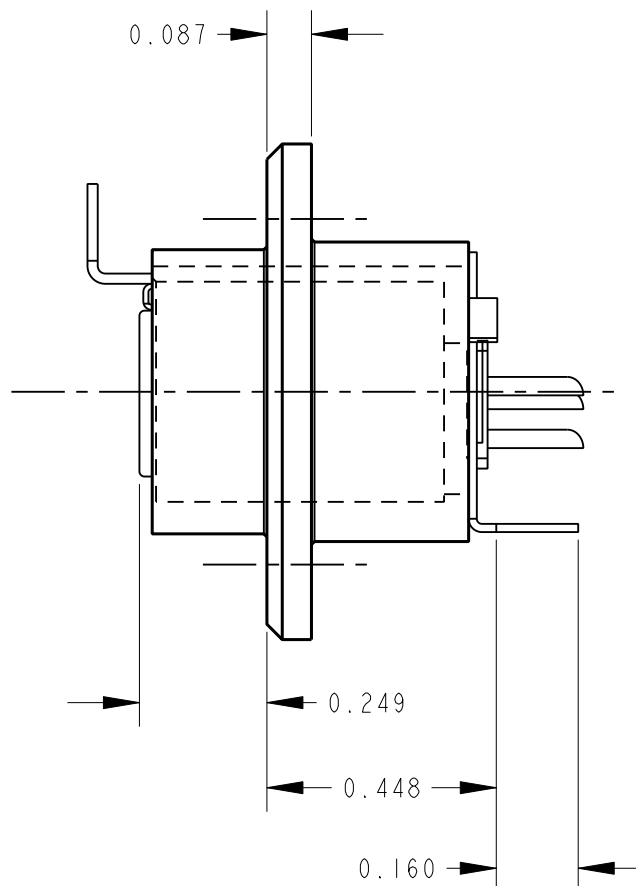
5 PIN



P.C. BOARD LAYOUTS



0.103 DIA. HOLE
C-SINK 0.200 DIA.
TYP



MATERIALS:

LOCK RING - BRASS, ELECTRO TIN PLATED

PANEL HOUSING - ZINC, NICKEL PLATED

E INSULATORS - PPS

HOUSING - BRASS, NICKEL PLATED

LATCH - BERYLLIUM COPPER, NICKEL PLATED

RELEASE LEVER - STEEL, NICKEL PLATED

LEVER SPRING - STEEL, COPPER PLATED

CONTACTS - BERYLLIUM COPPER, SILVER PLATED

NOTE:

1. ALL DIMENSIONS ARE FOR REFERENCE PURPOSES ONNLY
UNLESS OTHERWISE SPECIFIED.

CUSTOMER DRAWING

CAD/CAM DWG. NO.

TY_FPC_CD

SHEET 1 OF 1

				★ STAR SYMBOL DENOTES CRITICAL DIMENSION. SEE S/C ENGINEERING STANDARD ES-0001		THIS DRAWING DESCRIBES A DESIGN CONSIDERED PROPRIETARY IN NATURE, DEVELOPED AND MANUFACTURED BY SWITCHCRAFT INC. AND IS RELEASED ON A CONFIDENTIAL BASIS FOR IDENTIFICATION PURPOSE ONLY.				
				UNLESS OTHERWISE SPECIFIED		SIZE	WIDTH	MULT	LBS./M	TEMPER
E	ECO #20090	7-3-97	OM	JJ	1. ALL DIMENSIONS IN INCHES TWO PLACE DECIMAL ±.01 THREE PLACE DECIMAL ±.005 FRACTIONAL DIMENSIONS ±1/64 ANGLES ±1/2° ALL DIA'S CONCENTRIC WITHIN .005 T.I.R.	FINISH		MATERIAL		
D	ECO #20089	7-3-97	OM	JJ	2. REMOVE ALL BURRS	SPEC. NO.		SPEC. NO.		
C	ECO #20088	7-3-97	OM	JJ	3. MAKE NO DIMENSIONAL ALLOWANCES FOR APPLIED FINISHES, I.E., PLATING, PAINTING, ETC.	FIRST USED ON		SCALE 1 = 0.375		
B	ECO #19805	7-10-95	RC	GHJ	4. HOLES ON THE SAME CENTERLINE MUST BE ALIGNED WITHIN ±.002	DATE DRAWN	BY	CHK'D	APP'D	
A	FIRST DRAWN ECO #18467	3-30-95	SG	GHJ		3-30-95	SG	SG 5-1-95	GHJ 5-1-95	
ISSUE				CHANGE NO.	DATE	BY	APP'D	NAME		
REVISIONS				DO NOT SCALE DRAWING		TINI QG SERIES				
						PART NO. TY*FPC				
						ISSUE E				

