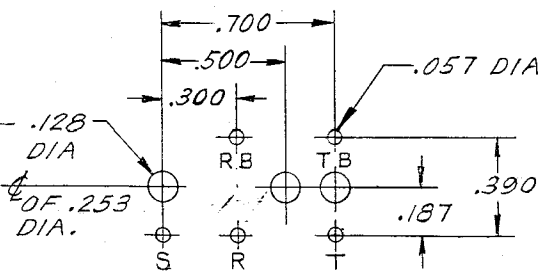


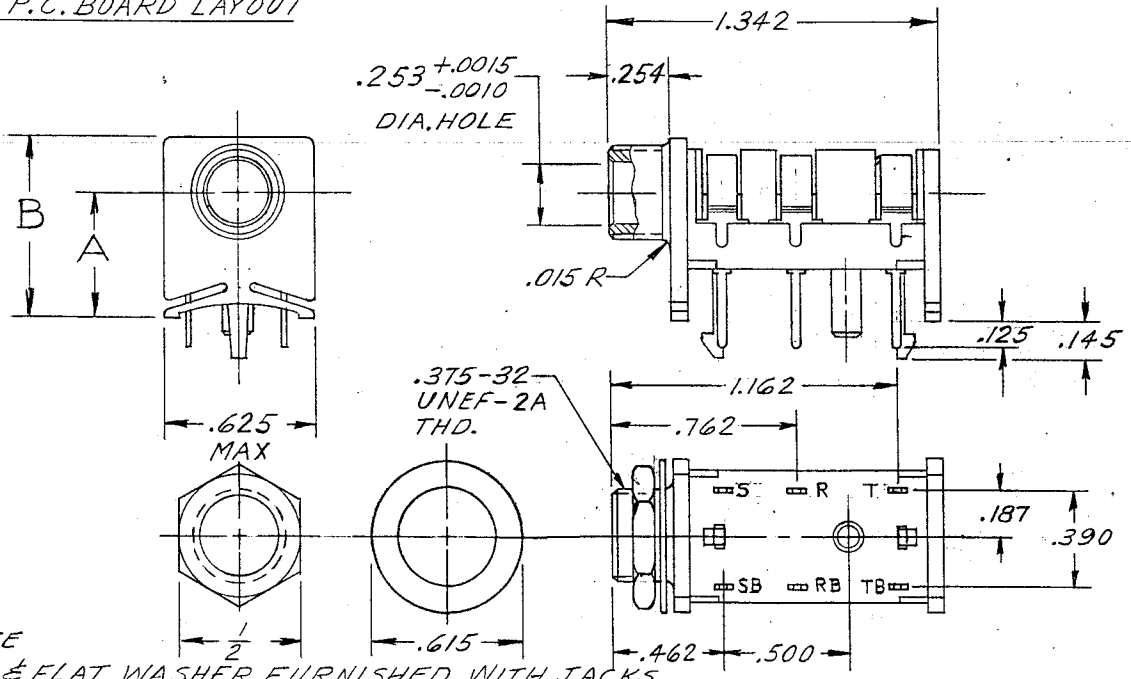
SN49B-***1

ISS	ZONE	SYM	REVISION	BY	DATE
B			ECO 16474	VL	1-9
C			ECO*20627	KS	3-14



P.C. BOARD LAYOUT

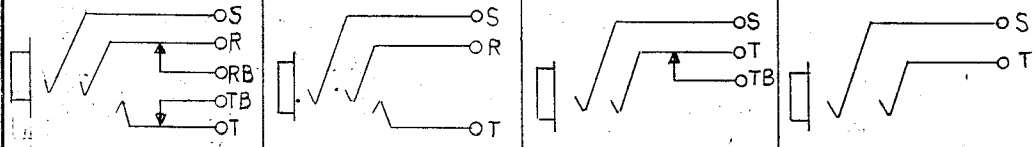
MATERIAL SPECIFICATIONS:
 HOUSING: BLACK THERMOPLASTIC POLYESTER.
 SPRINGS: NICKEL SILVER WITH TIN COATED TERMINALS.
 HARDWARE: NICKEL PLATED BRASS.



NOTE
 NUT & FLAT WASHER FURNISHED WITH JACKS.

PART NO.	DIM. A	DIM. B	SCHEM. NO.	PART REV.
SN49B-14B	.492	.708	1	C
SN49B-12B	↑	↑	2	C
SN49B-12A	↓	↓	3	C
SN49B-11	.492	.708	4	C

SCHEMATIC NO. 1 SCHEMATIC NO. 2 SCHEMATIC NO. 3 SCHEMATIC NO. 4



3 COND. "STEREO" 3 COND. "STEREO" 2 COND. "MONO" 2 COND. "MONO"

★ STAR SYMBOL DENOTES CRITICAL DIMENSION, SEE S/C ENGINEERING STANDARD ES-0001.

THIS DRAWING DESCRIBES A DESIGN CONSIDERED PROPRIETARY IN NATURE, DEVELOPED AND MANUFACTURED BY SWITCHCRAFT, INC. AND IS RELEASED ON A CONFIDENTIAL BASIS FOR IDENTIFICATION PURPOSE ONLY.

UNLESS OTHERWISE SPECIFIED:

DRAWN BY V.L.	DATE 6-28-83	FINISH
CHECKED BY V.L.	DATE 7-15-83	PER FINISH SPEC. NO.
APPROVED BY KR	DATE 7-18-83	MATERIAL
SCALE 2X	FIRST USED ON	PER MAT. SPEC. NO.

1. DECIMAL DIMENSIONS ± .005
 2. FRACTIONAL DIMENSIONS ± 1/64
 3. ANGLES ± 1/2°
 4. ALL DIA'S CONCENTRIC WITHIN .005 T.I.R.
 5. ALL DIMENSIONS IN INCHES
 6. FOR THREADS USE UNIFIED PLUG AND RING GAGES ONLY.
 7. REMOVE ALL BURRS.
 8. PART TO BE FABRICATED AS SPECIFIED. MAKE NO DIMENSIONAL ALLOWANCES FOR APPLIED FINISHES, I.E., PLATING, PAINTING, ETC.
 9. HOLES ON SAME CENTERLINE MUST BE ALIGNED WITHIN ± .002

NAME
 PHONE JACK
 INSULATED BUSHING

PART NO.
 SN 49B-***

ISSUE
 C

DO NOT SCALE DRAWING

ROUTING (12) (25) (46)

PAXTON