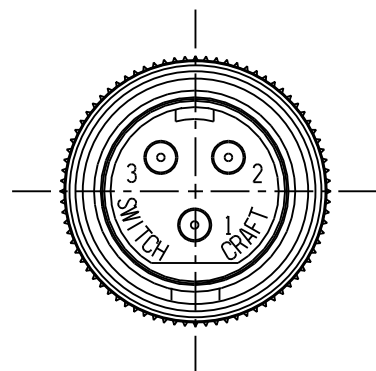
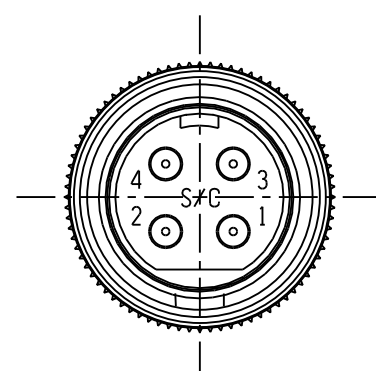


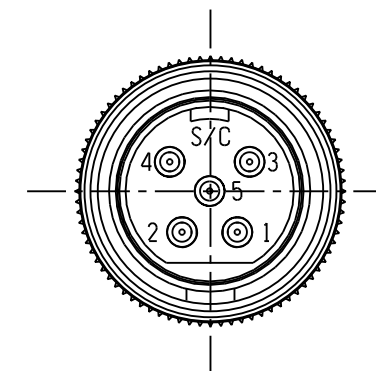
SL412MX  
2 PIN



SL413MX  
3 PIN

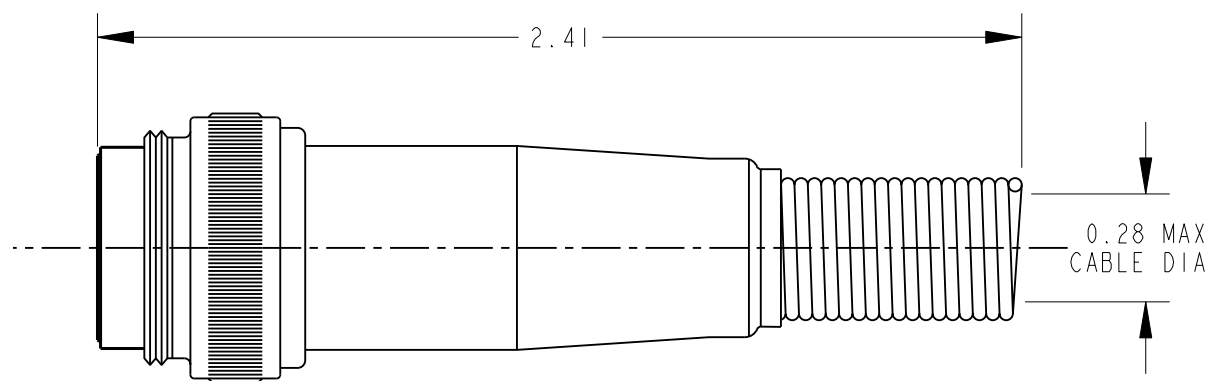
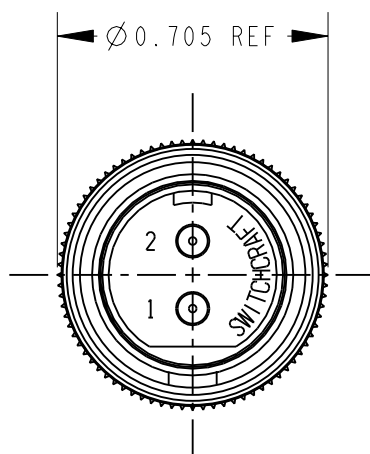
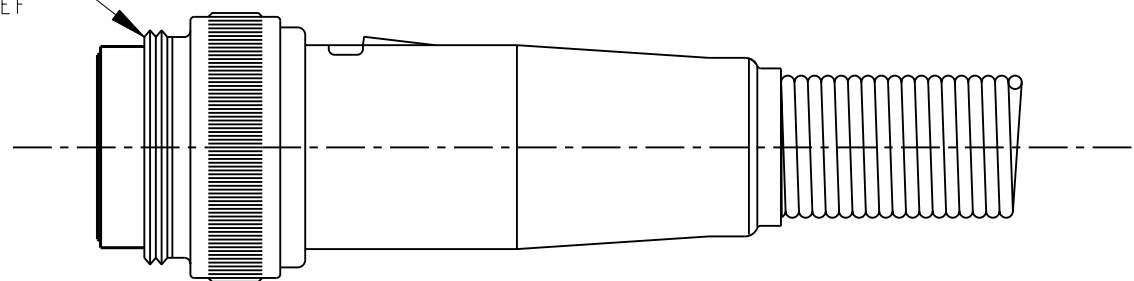


SL414MX  
4 PIN



SL415MX  
5 PIN

5/8-27 UNS-2A  
THREAD REF



CUSTOMER DRAWING

NOTES:

- MATERIALS:  
HOUSING - COPPER ALLOY, NICKEL PLATED  
INSERT - GLASS REINFORCED THERMOPLASTIC, BLACK  
LATCH - STEEL, NICKEL PLATED  
CONTACTS - COPPER ALLOY, SILVER PLATED  
CABLE CLAMP - STEEL, TIN PLATED  
FLEX RELIEF SPRING - STEEL MUSIC WIRE, NICKEL PLATED
- PIN AND BASE ASSEMBLY WITH LATCH, HOUSING AND SPRING ASSEMBLY AND CABLE CLAMP SHIPPED UNASSEMBLED.
- THIS PRODUCT IS RoHS COMPLIANT.

REV	ECO NUMBER	DATE	BY	APVD
A	25294	2-21-06	TO	TJK
REVISIONS				

★ STAR SYMBOL DENOTES CRITICAL DIMENSION

UNLESS OTHERWISE SPECIFIED

- ALL DIMENSIONS IN INCHES  
- TWO PLACE DECIMALS ±0.01  
- THREE PLACE DECIMALS ±0.005  
- ANGLES ±1°  
- ALL DIA. CONCENTRIC WITHIN 0.005 T.I.R.
- FEATURES ON THE SAME CENTERLINE MUST BE ALIGNED WITHIN ±0.002
- REMOVE ALL BURRS

DO NOT SCALE DRAWING

THIS DRAWING DESCRIBES A DESIGN CONSIDERED PROPRIETARY IN NATURE, DEVELOPED AND MANUFACTURED BY SWITCHCRAFT INC. AND IS RELEASED ON A CONFIDENTIAL BASIS FOR IDENTIFICATION PURPOSES ONLY.

SIZE	WIDTH	MULT	LBS/M	TEMPER
FINISH		MATERIAL		
SPEC No.		SPEC No.		
FIRST USED ON		SCALE		
		2:1		
DATE DRAWN	BY	CHKD	APVD	
09-Feb-06	TJK	TJK 2-9-06	TJK 10-11-10	
NAME		PART No.		REV
SLIM-LINE MALE CORD PLUG CONNECTOR, RoHS		SL412MX-SL415MX		A

**Switchcraft**

SHEET 1 OF 1