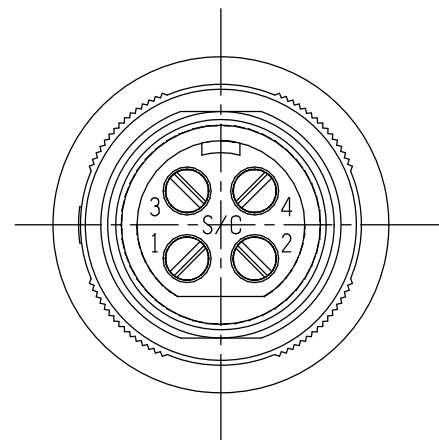
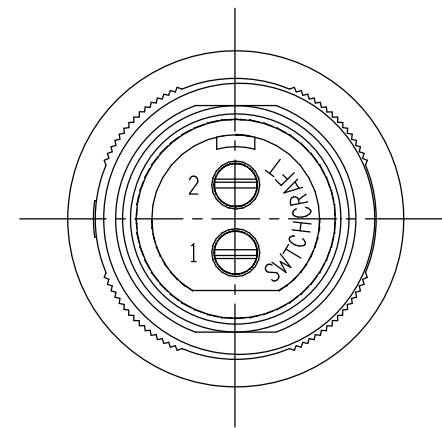


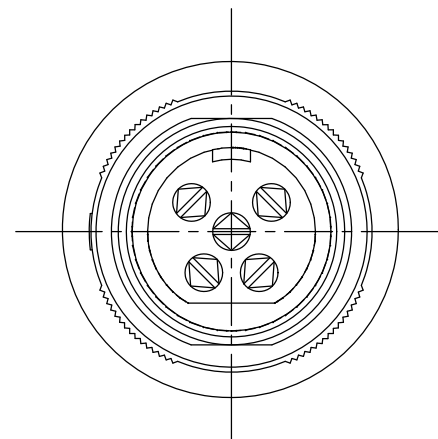
SL183FX



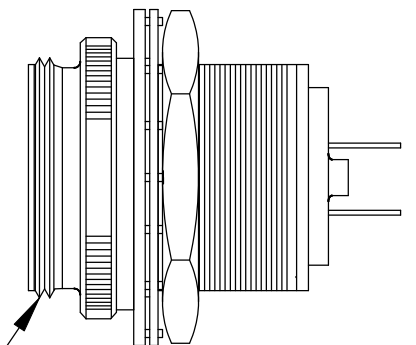
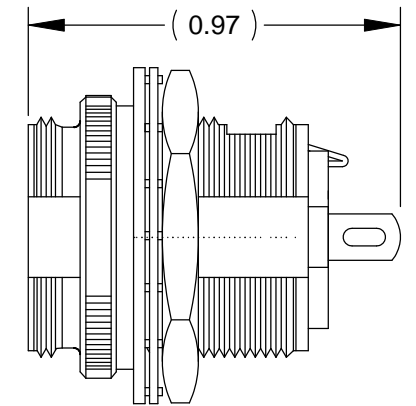
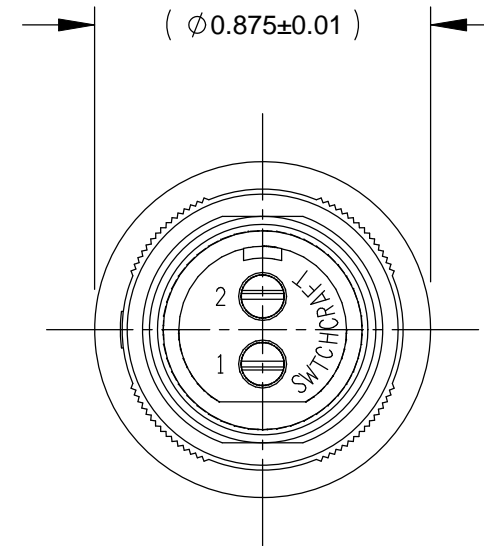
SL184FX



SL182FX



SL185FX



5/8-27 UNC- 2A THREAD  
BOTH ENDS REF

**CUSTOMER DRAWING**

NOTES:

- HOUSING AND PIN ASSEMBLY SHIPPED UNASSEMBLED
- HEX NUT AND WASHERS SHIPPED UNASSEMBLED
- THESE PRODUCTS ARE RoHS COMPLIANT

REV	ECO NUMBER	DATE	BY	APVD
A	26150	11-30-06	SRC	SRC
REVISIONS				

☆ STAR SYMBOL DENOTES CRITICAL DIMENSION

UNLESS OTHERWISE SPECIFIED

- ALL DIMENSIONS IN INCHES  
- TWO PLACE DECIMALS ±0.01  
- THREE PLACE DECIMALS ±0.005  
- ANGLES ±1°  
- ALL DIA. CONCENTRIC WITHIN 0.005 T.I.R.
- FEATURES ON THE SAME CENTERLINE MUST BE ALIGNED WITHIN ±0.002
- REMOVE ALL BURRS

DO NOT SCALE DRAWING

THIS DRAWING DESCRIBES A DESIGN CONSIDERED PROPRIETARY IN NATURE, DEVELOPED AND MANUFACTURED BY SWITCHCRAFT INC. AND IS RELEASED ON A CONFIDENTIAL BASIS FOR IDENTIFICATION PURPOSES ONLY.

SIZE	WIDTH	MULT	LBS/M	TEMPER
*	*	*	*	*
FINISH			MATERIAL	
SPEC No.			SPEC No.	
FIRST USED ON		SCALE		
*		1:1		
DATE DRAWN	BY	CHKD	APVD	
11-30-06	SRC	SRC	SRC	
		11-30-06	11-30-06	
NAME SLIM-LINE FEMALE FRONT PANEL MOUNT RECEPTACLE, RoHS			PART No. SL18_FX SERIES	
			REV A	

**Switchcraft®**

SHEET 1 OF 1