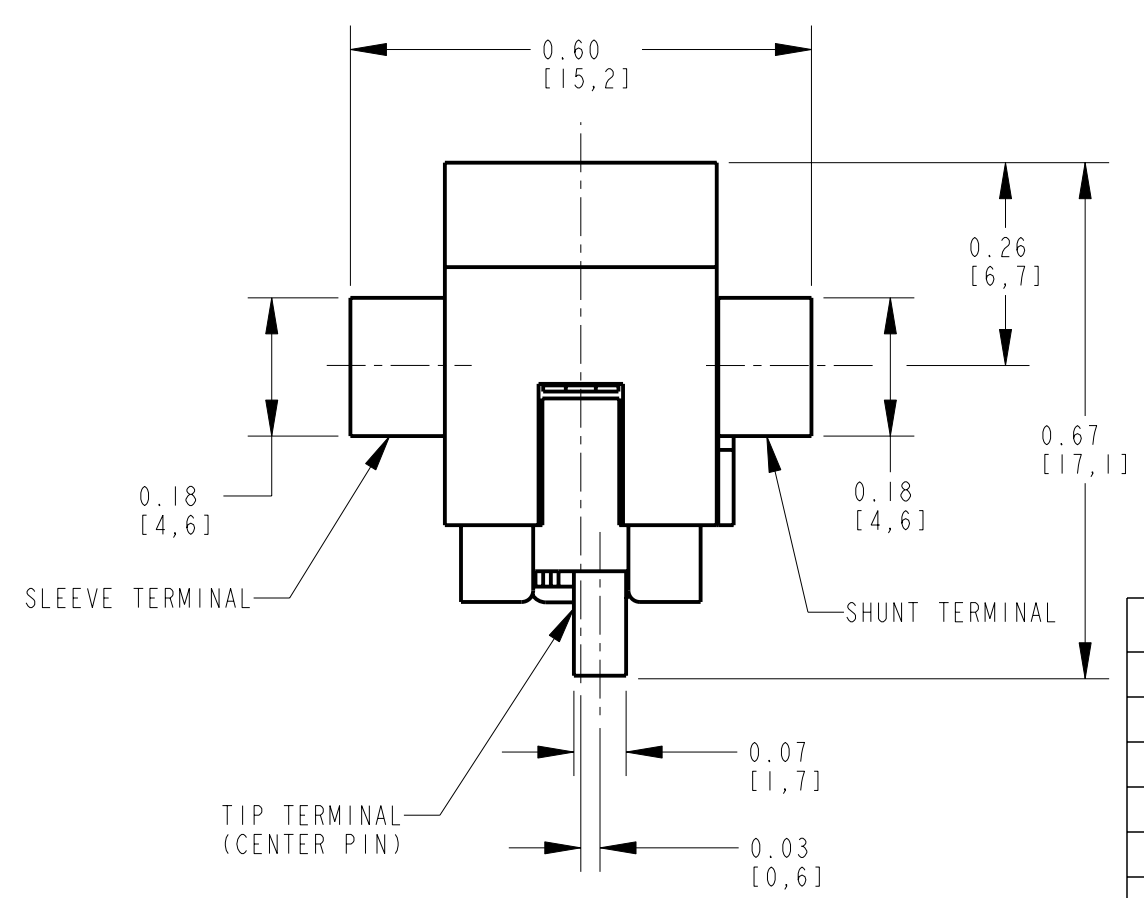
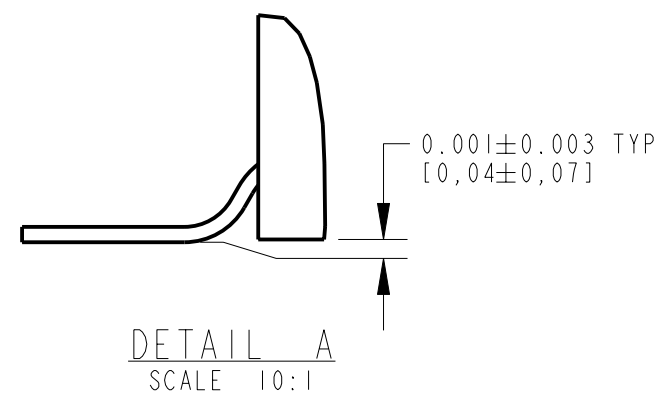


**NOTES:**

1. THIS PRODUCT IS RoHS COMPLIANT
2. MATERIALS:  
HOUSING AND COVER: HIGH GRADE THERMOPLASTIC, UL94V-0 RATED, COLOR BLACK.  
CENTER PIN: BRASS, NICKEL PLATED PER QQ-N-290, CLASS 1.  
TIP, SLEEVE AND SHUNT TERMINALS: COPPER ALLOY, SILVER PLATED PER QQ-S-365

**3. SPECIFICATIONS:**

- LIFE: 5000 CYCLES.  
 INSERTION FORCE: 5 LB [2.3 KG] MAX.  
 WITHDRAWAL FORCE: 0.5 LB [0.2 KG] MIN.  
 CONTACT RESISTANCE: 30 MILLIOHM MAX, 60 MILLIOHM MAX. AFTER TEST.  
 INSULATION RESISTANCE: 30 MEGAOHM MIN. @ 100VDC.  
 DIELECTRIC WITHSTANDING VOLTAGE: 250VAC FOR 1 MINUTE.  
 CURRENT (CARRYING): 5A.



CUSTOMER DRAWING

REV	ECO NUMBER	DATE	BY	APVD
A	25129	8-30-05	JL	MW
REVISIONS				

★ STAR SYMBOL DENOTES CRITICAL DIMENSION

UNLESS OTHERWISE SPECIFIED

1. ALL DIMENSIONS IN INCHES  
- TWO PLACE DECIMALS ±0.01  
- THREE PLACE DECIMALS ±0.005  
- ANGLES ±1°  
- ALL DIA. CONCENTRIC WITHIN 0.005 T.I.R.
2. FEATURES ON THE SAME CENTERLINE MUST BE ALIGNED WITHIN ±0.002
3. REMOVE ALL BURRS

DO NOT SCALE DRAWING

THIS DRAWING DESCRIBES A DESIGN CONSIDERED PROPRIETARY IN NATURE, DEVELOPED AND MANUFACTURED BY SWITCHCRAFT INC. AND IS RELEASED ON A CONFIDENTIAL BASIS FOR IDENTIFICATION PURPOSES ONLY.									
SIZE		WIDTH		MULT		LBS/M		TEMPER	
FINISH					MATERIAL				
SPEC No.					SPEC No.				
FIRST USED ON				SCALE					
				4:1					
DATE DRAWN	BY	CHKD	APVD						
30-Aug-05	JL	MW	MW						
			8-30-05	8-30-05					
NAME								PART No.	
RA POWER JACK, HYBRID								RASH712X	
Ø0.100 PIN, RoHS								REV	
								A	



RECOMMENDED PC BOARD LAYOUT  
(COMPONENT SIDE)

ALTERNATE PC BOARD LAYOUT  
(COMPONENT SIDE)

NOTE: \* SURFACE MOUNT PADS.

CUSTOMER DRAWING

SCALE 4:1	<b>Switchcraft</b> <sup>®</sup>		
DATE DRAWN 30-Aug-05			
DRAWN BY JL	PART No. RASH712X	REV A	