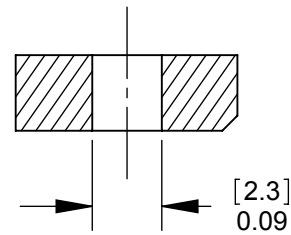
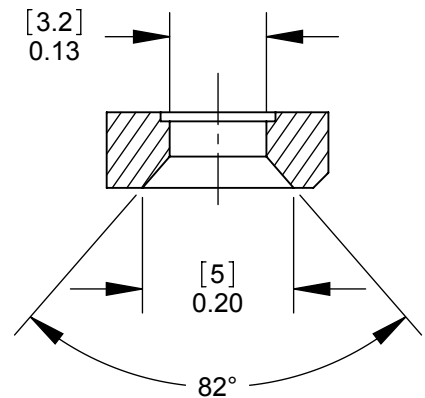


**PD3MSC1  
FRONT MOUNT**  
SECTION A-A  
SCALE 4 : 1



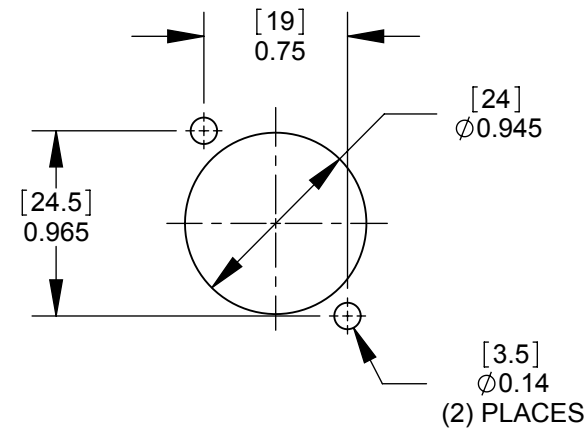
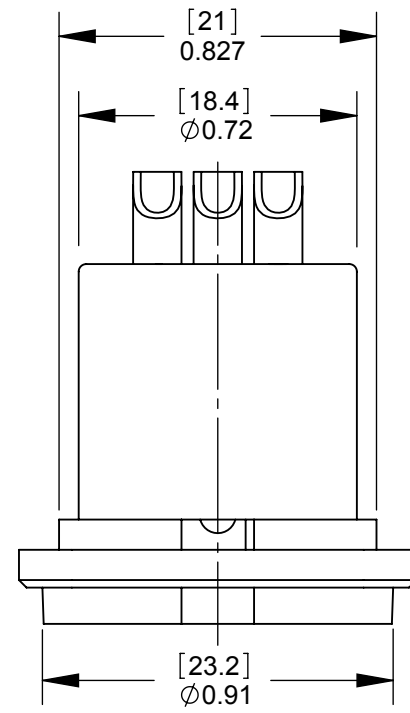
**PD3MSC2  
REAR MOUNT**  
SECTION A-A  
SCALE 4 : 1



**PD3MSC3  
REAR MOUNT**  
SECTION A-A  
SCALE 4 : 1

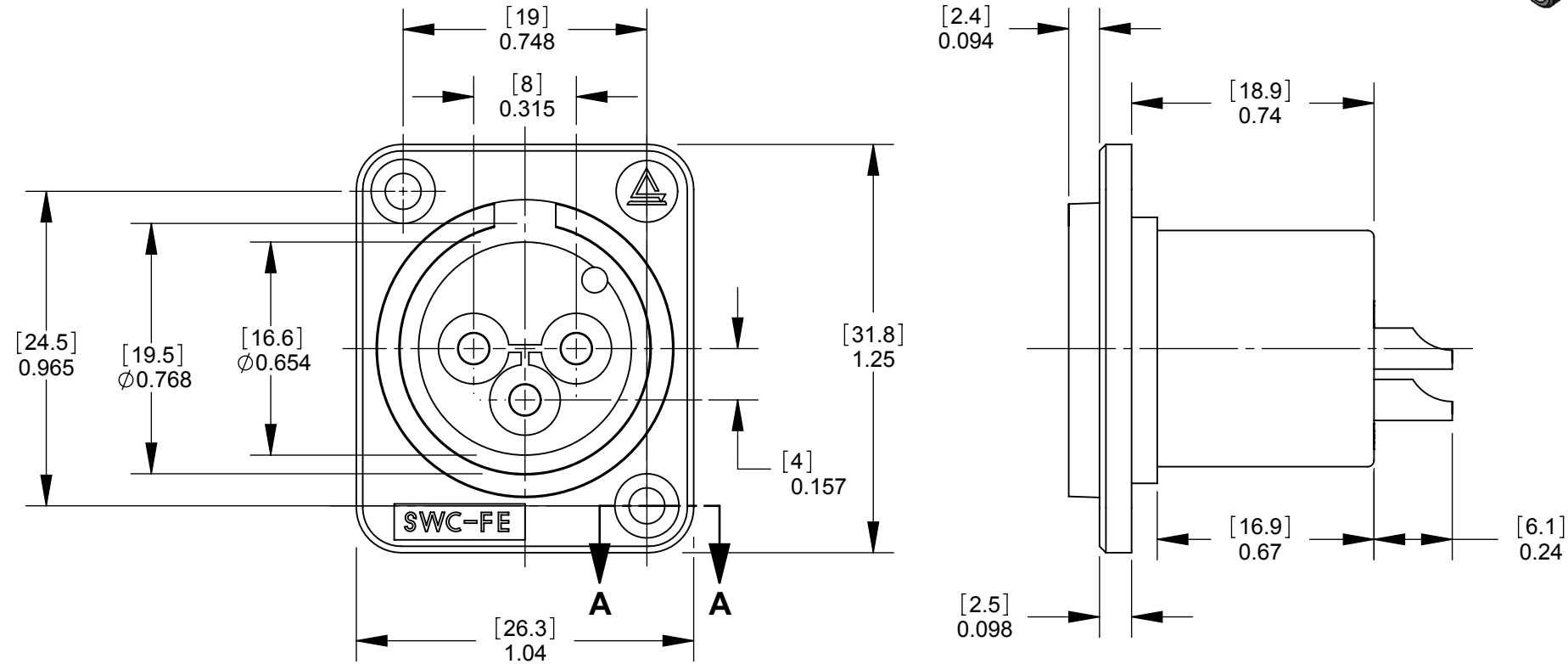
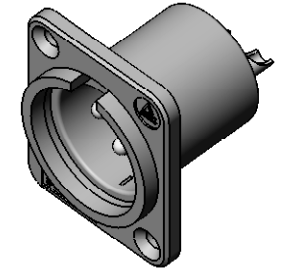
NOTES:

- MATERIALS:  
HOUSING - THERMOPLASTIC, BLACK  
PINS - COPPER ALLOY (SEE TABLE FOR FINISH)
- THESE PRODUCTS ARE RoHS COMPLIANT.



RECOMMENDED  
PANEL CUT-OUT

PART NUMBER	MOUNTING STYLE SEE SECTION A-A	TERMINAL PLATING
PD3MSC1	FRONT MOUNT	SILVER
PD3MSC2	REAR MOUNT	SILVER
PD3MSC3	FRONT MOUNT	SILVER
PD3MSC1AU	FRONT MOUNT	GOLD
PD3MSC2AU	REAR MOUNT	GOLD
PD3MSC3AU	FRONT MOUNT	GOLD



**CUSTOMER DRAWING**

REV	ECO NUMBER	DATE	BY	APVD
A	22118	1/14/98	RS	TJK
REVISIONS				

UNLESS OTHERWISE SPECIFIED

- ALL DIMENSIONS IN INCHES  
- TWO PLACE DECIMALS ±0.02  
- THREE PLACE DECIMALS ±0.005

DO NOT SCALE DRAWING

THIS DRAWING DESCRIBES A DESIGN CONSIDERED PROPRIETARY IN NATURE, DEVELOPED AND MANUFACTURED BY SWITCHCRAFT INC. AND IS RELEASED ON A CONFIDENTIAL BASIS FOR IDENTIFICATION PURPOSES ONLY.

SIZE	WIDTH	MULT	LBS/M	*
FINISH			MATERIAL	
SPEC No.			SPEC No.	
FIRST USED ON		SCALE 2:1		
DATE DRAWN	BY	CHKD	APVD	<b>Switchcraft</b> <sup>®</sup>
4/27/10	RS	RS	TJK	
NAME				PART No.
PLASTIC PANEL MOUNT QG CONNECTOR, SOLDERCUP, RoHS				PD3MSC SERIES
SHEET 1 OF 1				REV A