

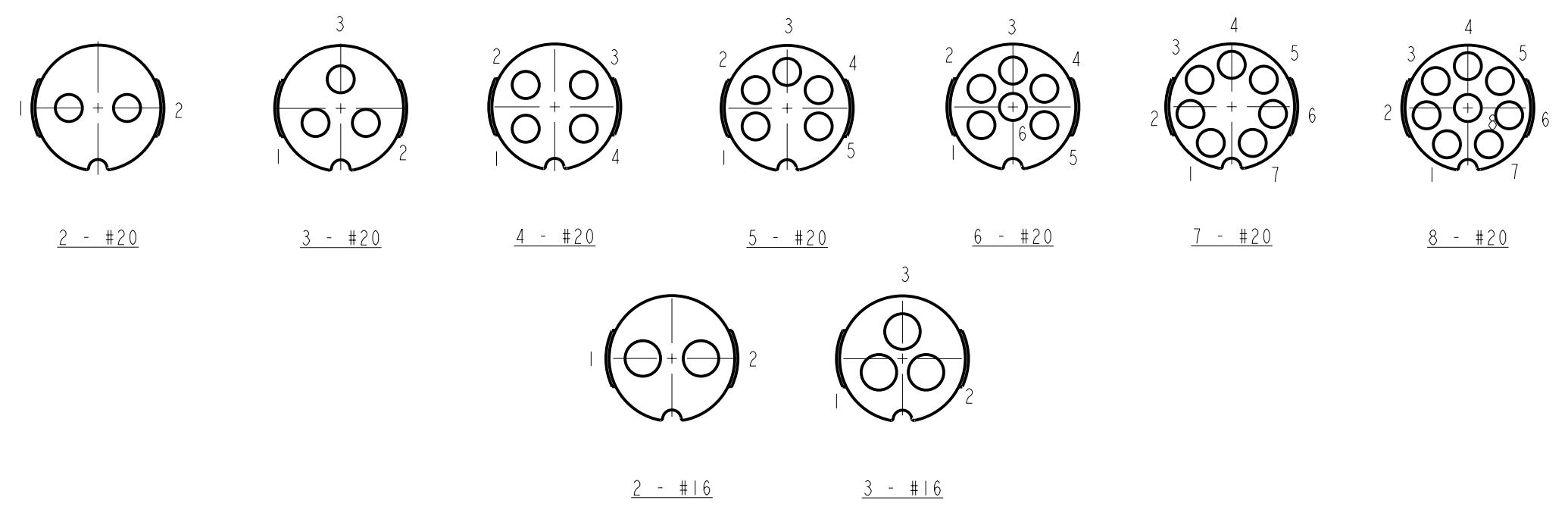
**SPECIFICATIONS**

**MECHANICAL:**  
SHOCK: MIL-STD 202 METHOD 213B, COND. K.  
VIBRATION: MIL-STD 202 METHOD 201  
LIFE: 300 INSERTION/WITHDRAWAL CYCLES (MINIMUM)

**ELECTRICAL**  
DIELECTRIC WITHSTANDING VOLTAGE: 1,000 VAC  
INSULATION RESISTANCE: 100 MEGOHMS (MIN) AT 77°F  
CONTACT RESISTANCE: 5.0 MILLOHMS MAX.  
CURRENT RATING: 7.5 AMPS (#20 CONTACT)  
6.5 AMPS (7 & 8 PIN #20 CONTACT)  
13.0 AMPS (#16 CONTACT)

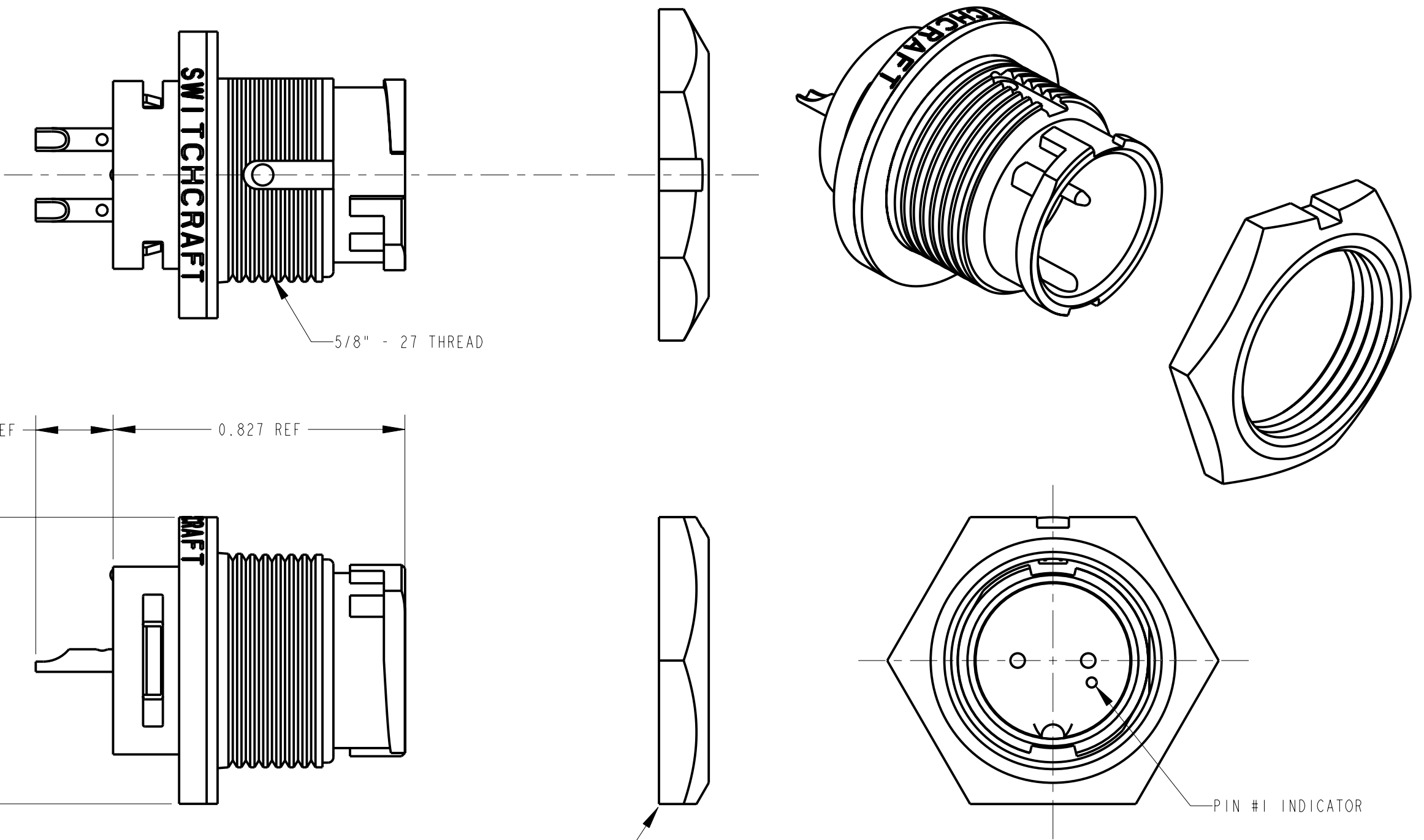
**ENVIRONMENTAL**  
TEMPERATURE LIMITS: -40°C TO +65°C (NON-OPERATING)  
MOISTURE RESISTANCE: MIL-STD 202 METHOD 106F  
INSULATION RESISTANCE: MIL-STD 202 METHOD 302, COND. B  
THERMAL SHOCK: MIL-STD 202 METHOD 107G  
SALT SPRAY: MIL-STD 202 METHOD 101D, COND. B  
WATER TIGHTNESS TEST: U.S. COAST GUARD CFR 46 PART 110.20

- NOTES:**
- HEX NUT TORQUE:  
8 TO 10 INCH-LBS. OF TORQUE  
(MUST NOT EXCEED 10 INCH-LBS.)
  - HEX NUT SHIPPED UNASSEMBLED.



**CONTACT ARRANGEMENT**

SHOWN ARE REAR VIEWS OF  
MALE PANEL CONNECTORS

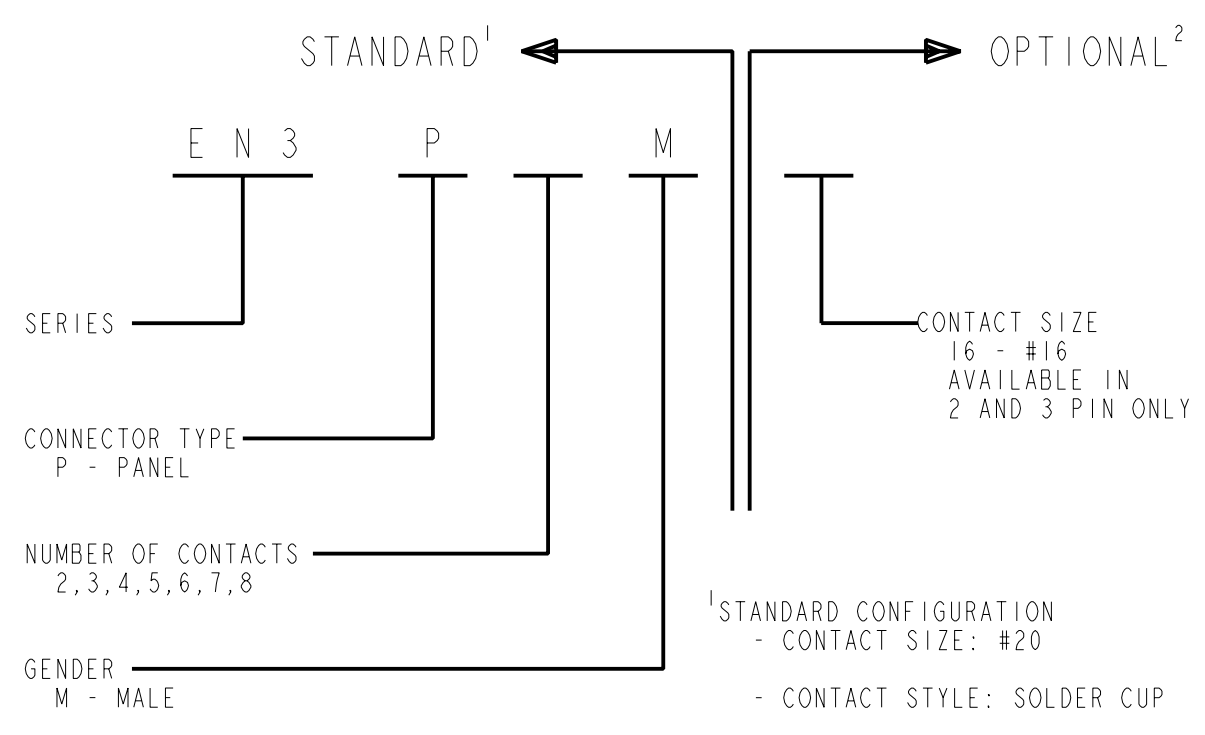
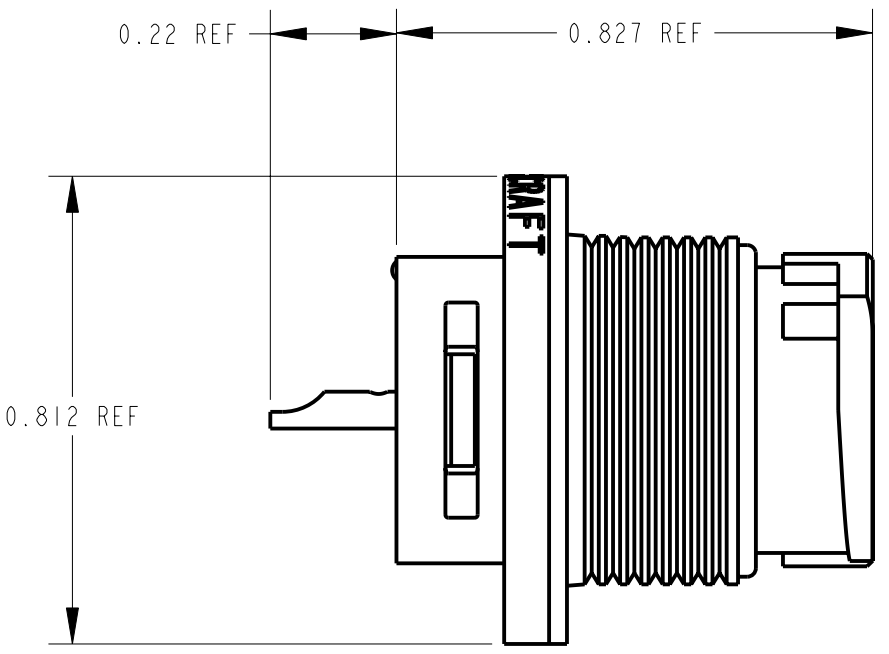


**MATERIALS:**  
PANEL CONNECTOR SHELL, CONTACT LOCKING DISC:  
THERMOPLASTIC POLYMER GLASS FIBER, FLAME RETARDANT

CONNECTOR SHELL INTERIOR:  
THERMOPLASTIC RUBBER

CONTACTS: COPPER BASE ALLOY GOLD-PLATED  
OVER NICKEL UNDERPLATE

HEX NUT: THERMOPLASTIC



- <sup>1</sup>STANDARD CONFIGURATION  
- CONTACT SIZE: #20  
- CONTACT STYLE: SOLDER CUP  
- CONTACT PLATING: GOLD  
- CONTACTS FACTORY INSTALLED  
- PACKAGED IN BULK
- <sup>2</sup>OPTIONAL CONFIGURATION  
- LEAVE BLANK FOR STANDARD CONFIGURATION

REV	ECO NUMBER	DATE	BY	APVD
G	24661	3-4-04	JL	EB
F	23595	2-6-01	JL	DK
E	22232	4-30--98	SG	RB
D	ECO #21461	12-2-96	MM	FL
C	ECO #19815	10-9-95	RC	KS
B	FIRST DRAWN	1-28-95	SG	FL

REVISIONS

★ STAR SYMBOL DENOTES CRITICAL DIMENSION

UNLESS OTHERWISE SPECIFIED

- ALL DIMENSIONS IN INCHES  
- TWO PLACE DECIMALS ±0.01  
- THREE PLACE DECIMALS ±0.005  
- ANGLES ±1°  
- ALL DIA. CONCENTRIC WITHIN 0.005 T.I.R.
- FEATURES ON THE SAME CENTERLINE MUST BE ALIGNED WITHIN ±0.002
- REMOVE ALL BURRS

DO NOT SCALE DRAWING

THIS DRAWING DESCRIBES A DESIGN CONSIDERED PROPRIETARY IN NATURE, DEVELOPED AND MANUFACTURED BY SWITCHCRAFT INC. AND IS RELEASED ON A CONFIDENTIAL BASIS FOR IDENTIFICATION PURPOSES ONLY.				
SIZE	WIDTH	MULT	LBS/M	TEMPER
FINISH SPEC No.		MATERIAL SPEC No.		
FIRST USED ON		SCALE 3:1		
DATE DRAWN	BY	CHKD	APVD	
1-28-95	SG	2-27-95	FL	
NAME MALE PANEL CONNECTORS EN3P_M SERIES			PART No.	REV
			EN3P_M	G

CUSTOMER DRAWING