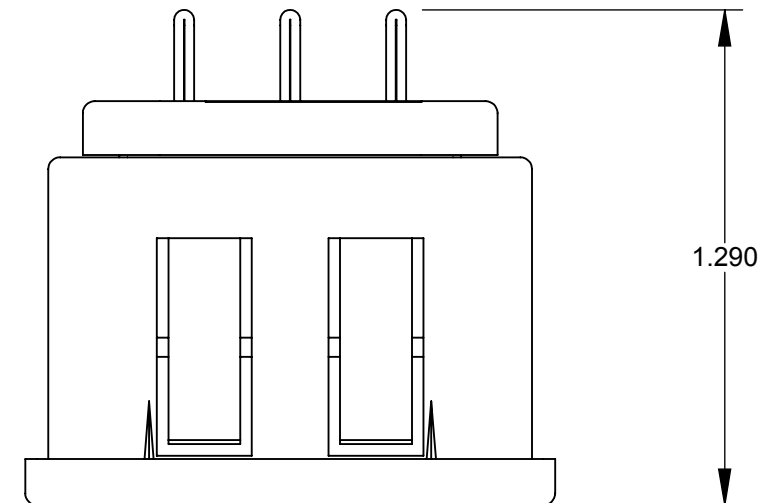
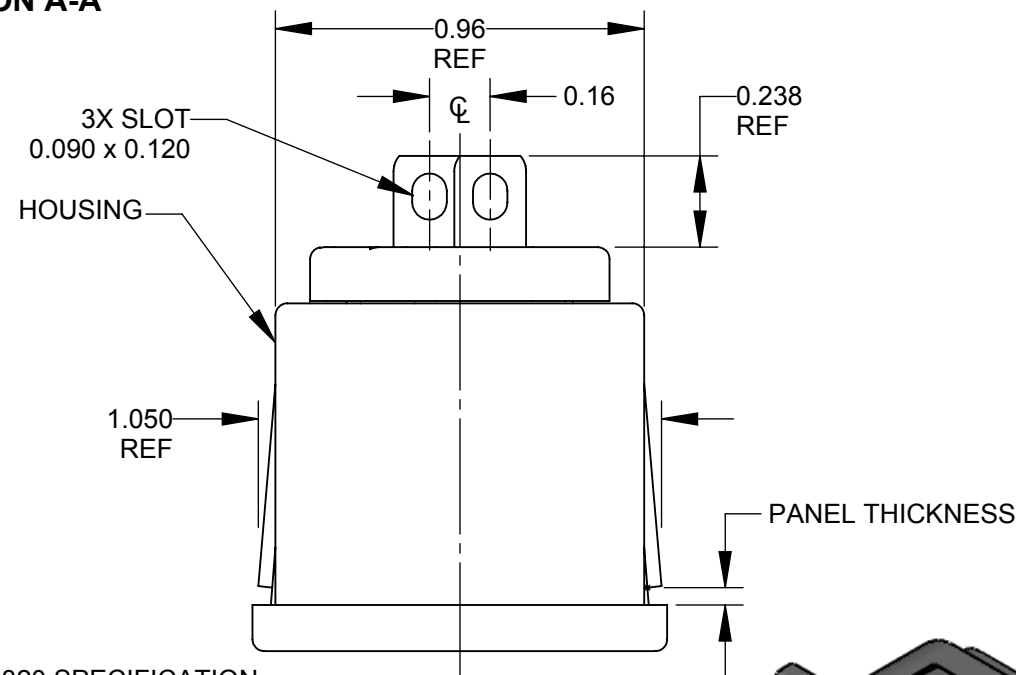
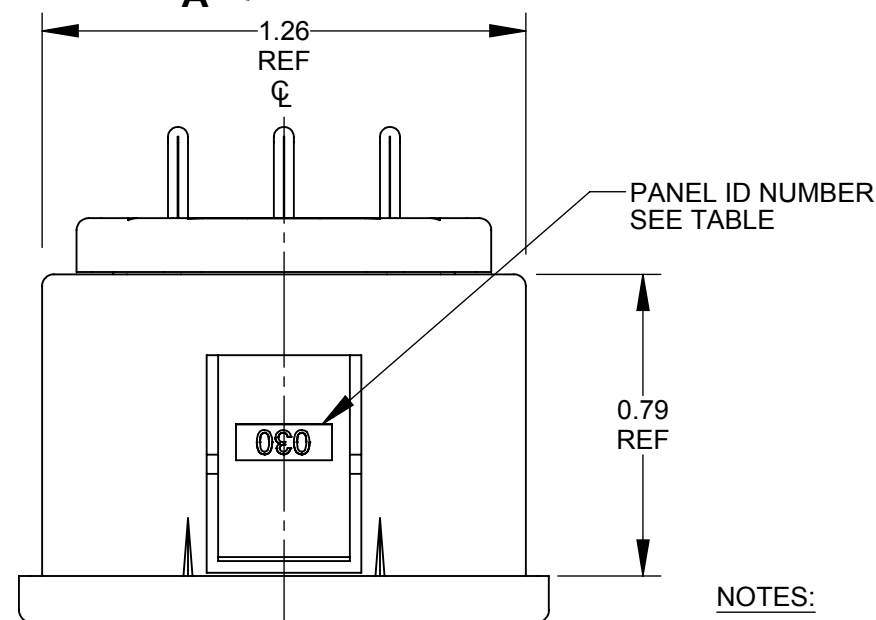
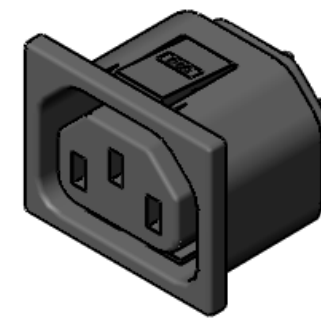
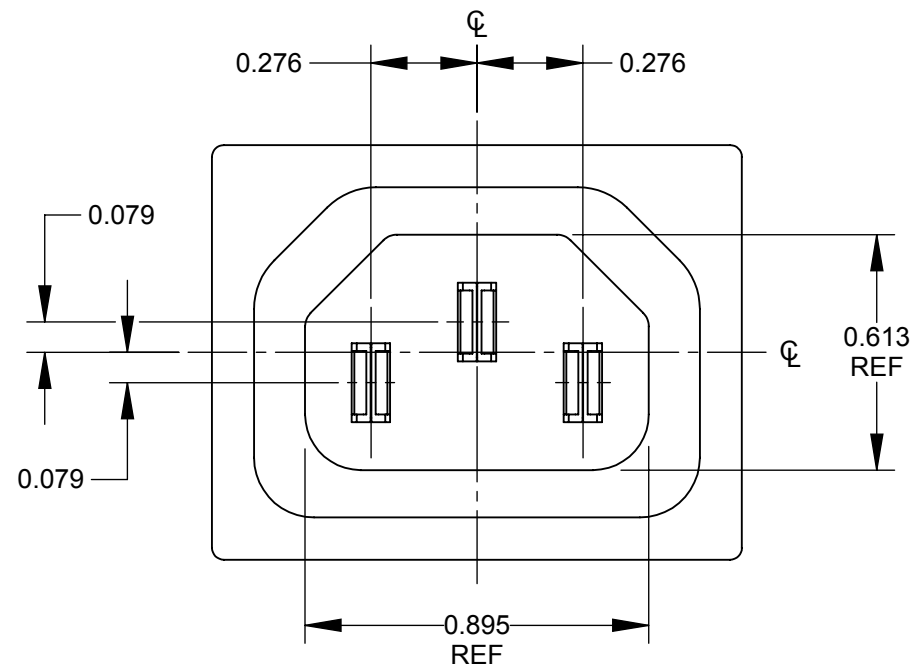


PART NUMBER	PANEL ID NUMBER	PANEL THICKNESS
EAC405030	030	0.026-0.040
EAC405040	040	0.036-0.050
EAC405050	050	0.046-0.060
EAC405060	060	0.056-0.070



NOTES:

1. MEETS IEC 60320 SPECIFICATION
2. AGENCY APPROVAL & RATING:
VDE:10A, 250V AC.
UL & CSA:15A, 250V AC.
3. MATERIALS:
HOUSING, BLACK POLYESTER
COVER, BLACK POLYESTER
CONTACTS, TIN PLATED COPPER ALLOY



CUSTOMER DRAWING

REV	ECO NUMBER	DATE	BY	APVD
G	26912	02/16/12	BL	TJK
F	25129	03/27/02	BL	TJK
REVISIONS				

UNLESS OTHERWISE SPECIFIED

1. ALL DIMENSIONS IN INCHES
- TWO PLACE DECIMALS ±0.02
- THREE PLACE DECIMALS ±0.005

DO NOT SCALE DRAWING

THIS DRAWING DESCRIBES A DESIGN CONSIDERED PROPRIETARY IN NATURE, DEVELOPED AND MANUFACTURED BY SWITCHCRAFT INC. AND IS RELEASED ON A CONFIDENTIAL BASIS FOR IDENTIFICATION PURPOSES ONLY.				
SIZE	WIDTH	MULT	LBS/M	TEMPER
FINISH SPEC No.		MATERIAL SPEC No.		
FIRST USED ON		SCALE 2:1		
DATE DRAWN	BY	CHKD	APVD	
11/03/86	LH	AM	RP	
NAME		SNAP-IN FEMALE RECEPTACLE		
SHEET 1 OF 1			PART No. EAC405 SERIES	REV G