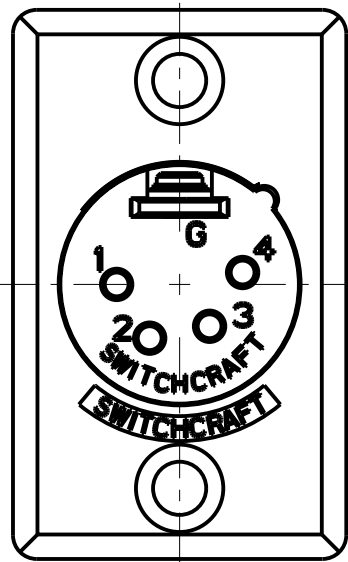
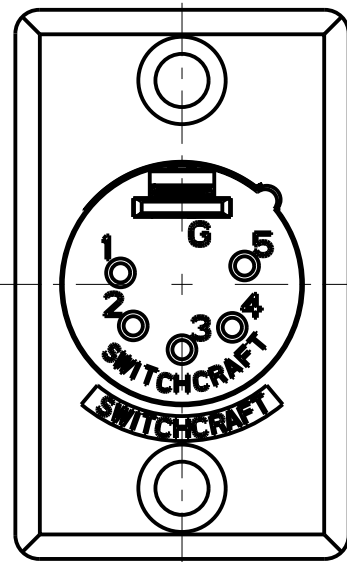


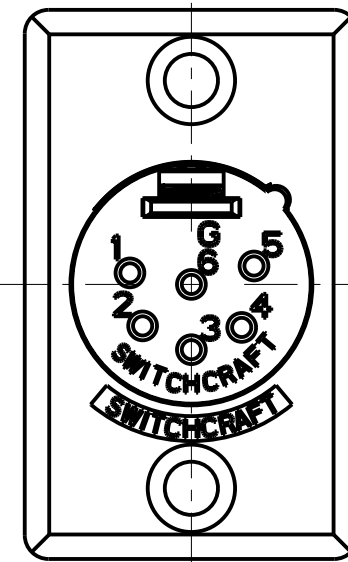
3 PIN



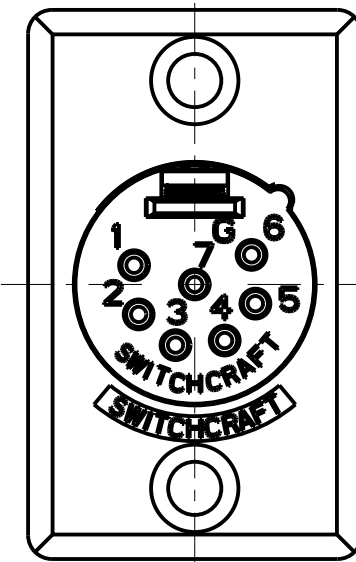
4 PIN



5 PIN



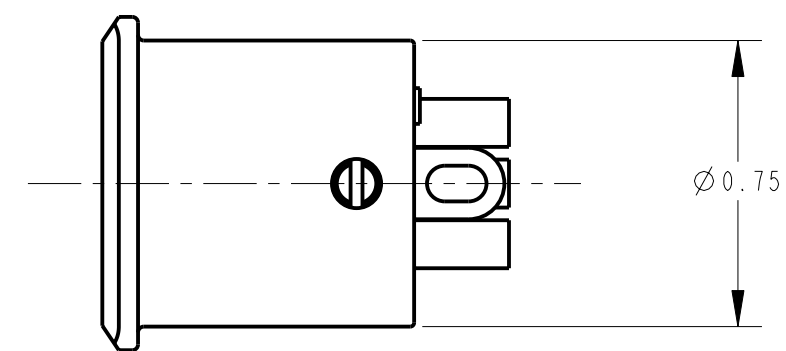
6 PIN



7 PIN

NOTES:

1. ALL DIMENSIONS REF. UNLESS OTHERWISE SPECIFIED.
2. THESE PRODUCTS ARE RoHS COMPLIANT.



**STANDARD SERIES**

SCREW - STAINLESS STEEL  
 HOUSING - ZINC, NICKEL PLATED  
 SOLDER TERMINAL - BRASS, ELECTRO TIN PLATED  
 INSULATOR - POLYESTER, GREEN (UL94V-0)  
 CONTACT PIN - BRASS, SILVER PLATED

CONTACT PLATING  
 BLANK = SILVER (STANDARD)  
 AU = GOLD

HOUSING FINISH  
 BLANK = NICKEL PLATE (STANDARD)  
 B = BLACK  
 S = SANDED

NO. OF CONTACTS:  
 3 = 3 CONTACTS  
 4 = 4 CONTACTS  
 5 = 5 CONTACTS  
 6 = 6 CONTACTS  
 7 = 7 CONTACTS

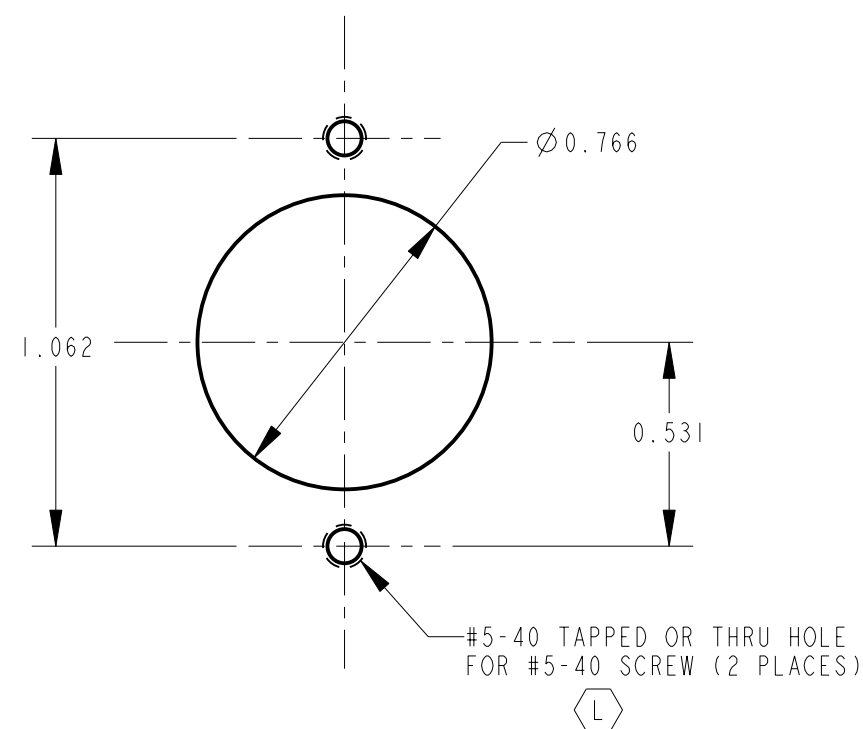
---

**PROFESSIONAL SERIES**

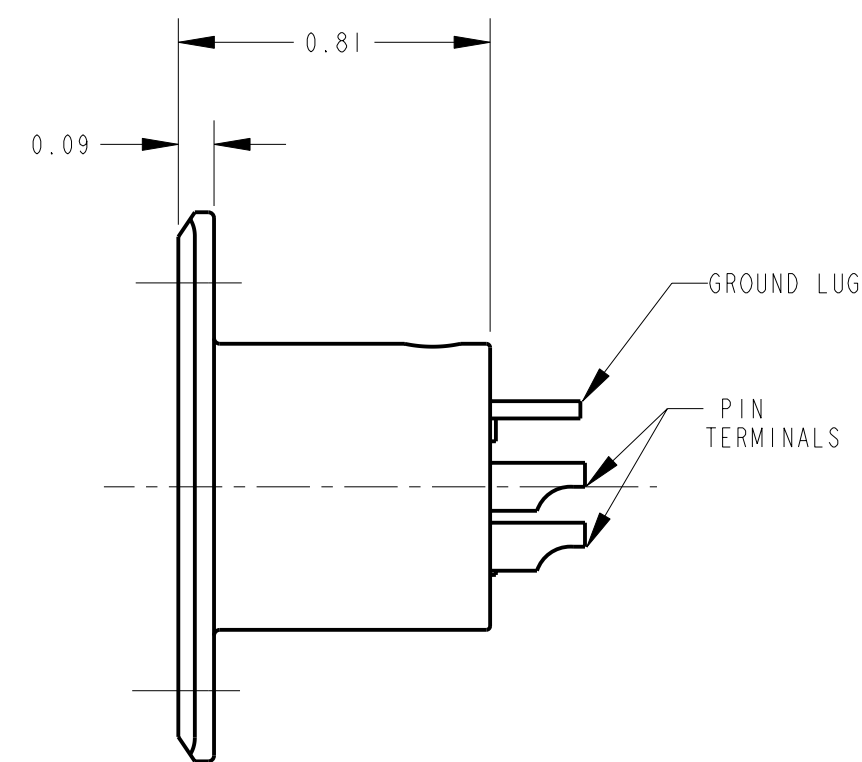
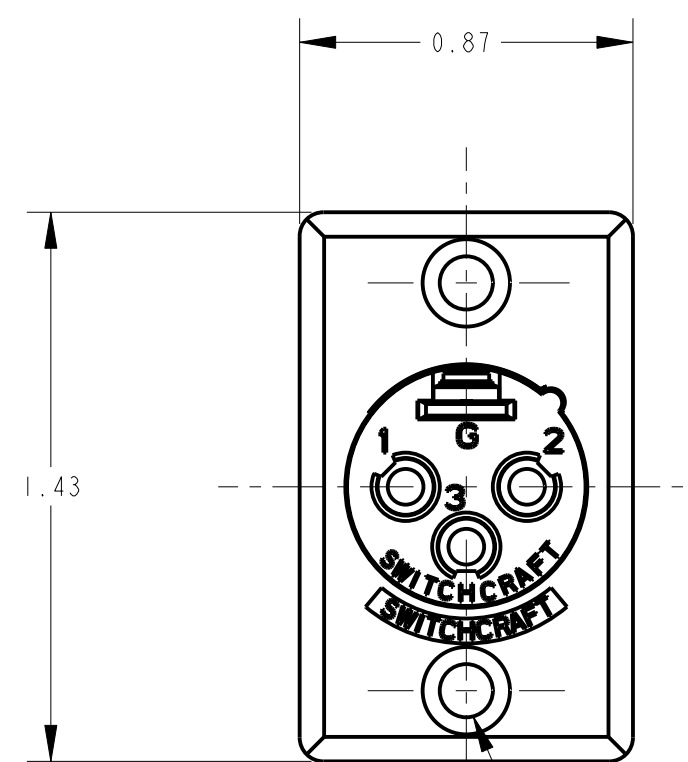
SAME AS ABOVE EXCEPT  
 CONTACT PIN - PHOSPHOR BRONZE, GOLD OVER NICKEL

QGP - 63

NO. OF CONTACTS:  
 3 = 3 CONTACTS  
 4 = 4 CONTACTS  
 5 = 5 CONTACTS  
 6 = 6 CONTACTS  
 7 = 7 CONTACTS



RECOMMENDED  
 PANEL CUT-OUT



CUSTOMER DRAWING

				★ STAR SYMBOL DENOTES CRITICAL DIMENSION		THIS DRAWING DESCRIBES A DESIGN CONSIDERED PROPRIETARY IN NATURE, DEVELOPED AND MANUFACTURED BY SWITCHCRAFT INC. AND IS RELEASED ON A CONFIDENTIAL BASIS FOR IDENTIFICATION PURPOSES ONLY.				
				UNLESS OTHERWISE SPECIFIED		SIZE	WIDTH	MULT	LBS/M	TEMPER
				1. ALL DIMENSIONS IN INCHES - TWO PLACE DECIMALS ±0.01 - THREE PLACE DECIMALS ±0.005 - ANGLES ±1° - ALL DIA. CONCENTRIC WITHIN 0.005 T.I.R.		FINISH		MATERIAL		
L	26787	6-14-11	TJK	TJK		FIRST USED ON		SCALE		
K	22838	10-1-99	JL	DG		2:1		Switchcraft®		
J	21070	1-15-97	SG	KS		DATE DRAWN	BY	CHKD	APVD	
H	21035	1-15-97	SG	KS		00-000-90	SG	8-15-94	GHJ	8-15-94
REV				ECO NUMBER	DATE	BY	APVD	NAME		
REVISIONS				DO NOT SCALE DRAWING		D SERIES MALE QG				
						SHEET		OF		
						PART No.		REV		
						D_M SERIES		L		