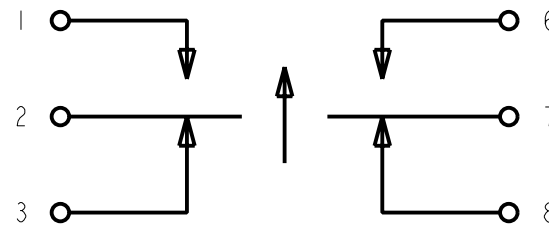


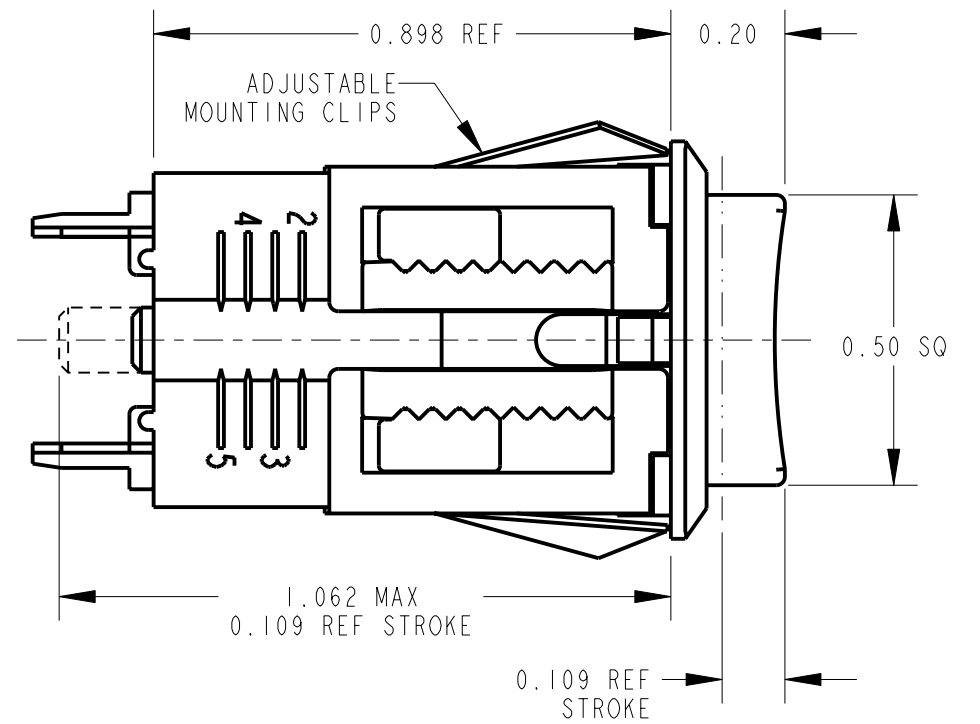
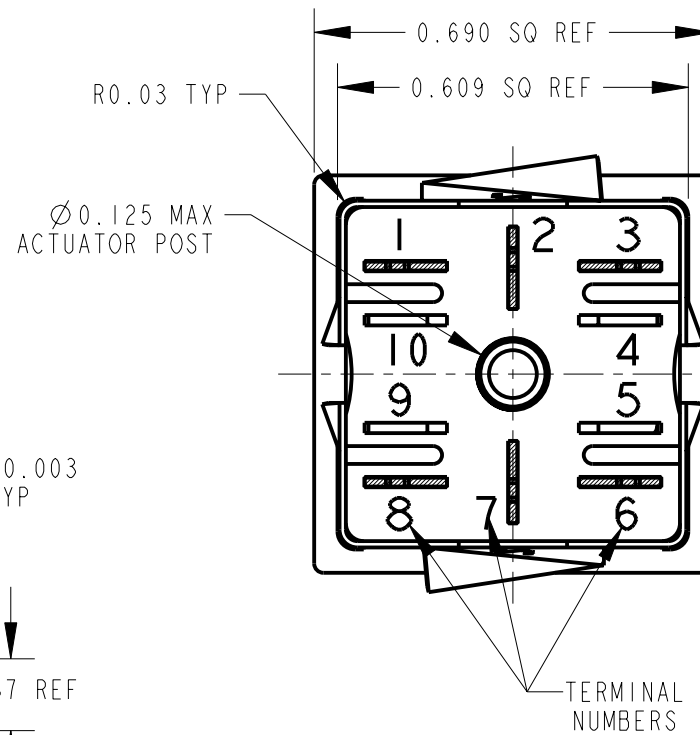
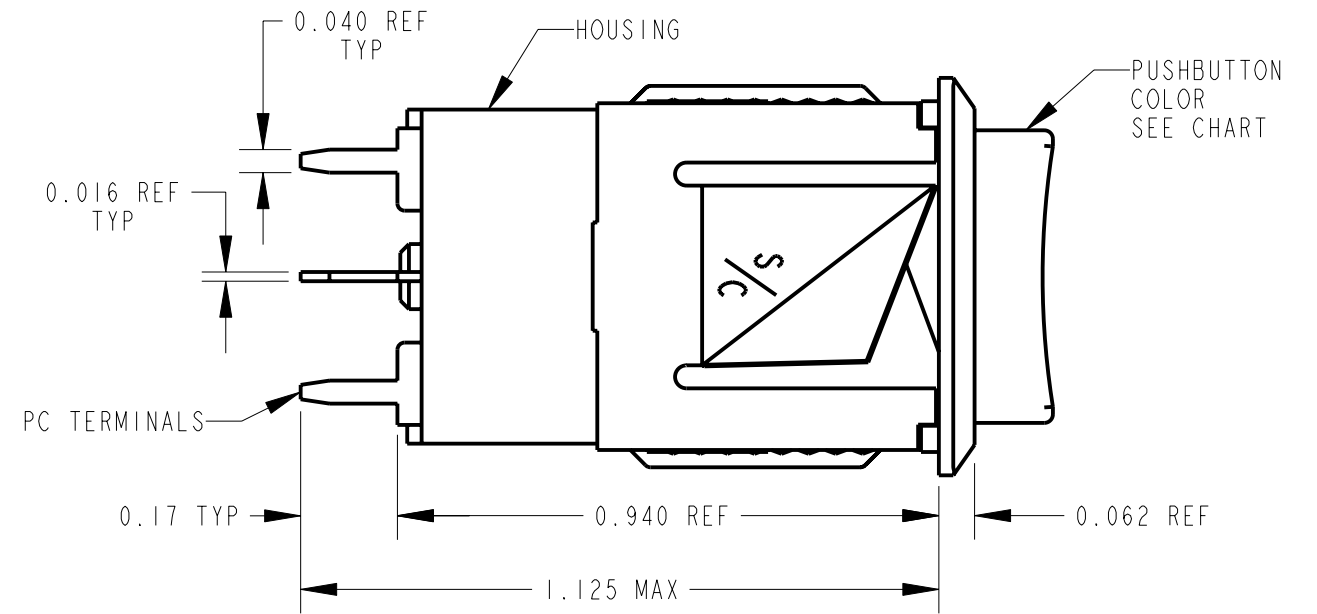
NOTES:

1. PC TERMINAL ARRANGEMENT: 1,2,3,6,7,8.
2. CONTACT RATING 0.25 AMP, 30 WATTS MAX, AC, NON - INDUCTIVE LOAD.
3. DIELECTRIC STRENGTH - 500 VOLTS, RMS. MIN.
4. SWITCH MOUNTS IN PANELS 0.047 TO 0.281 THICK.
 POSITION 1: 0.047 - 0.094
 POSITION 2: 0.094 - 0.141
 POSITION 3: 0.141 - 0.188
 POSITION 4: 0.188 - 0.234
 POSITION 5: 0.234 - 0.281
5. MATERIALS:
 HOUSING: THERMOPLASTIC, CHARCOAL GRAY
 PUSHBUTTON: THERMOPLASTIC, COLOR (SEE CHART)
 MOUNTING CLIP: COPPER ALLOY
 CONTACT SPRINGS, INTEGRAL: COPPER ALLOY, SILVER PLATED
 TERMINALS: COPPER ALLOY, SILVER PLATED
 ACTUATOR: THERMOPLASTIC, BEIGE
 SPRING: MUSIC WIRE, TINNED
 RETAINER PLATE: PAPER EPOXY LAMINATE
6. THESE PRODUCTS ARE RoHS COMPLIANT.

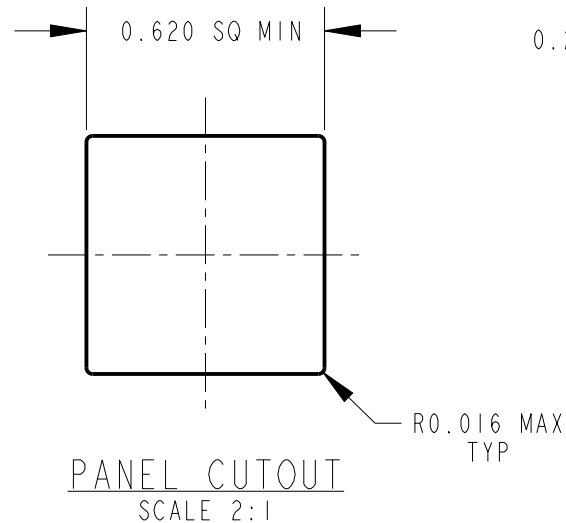
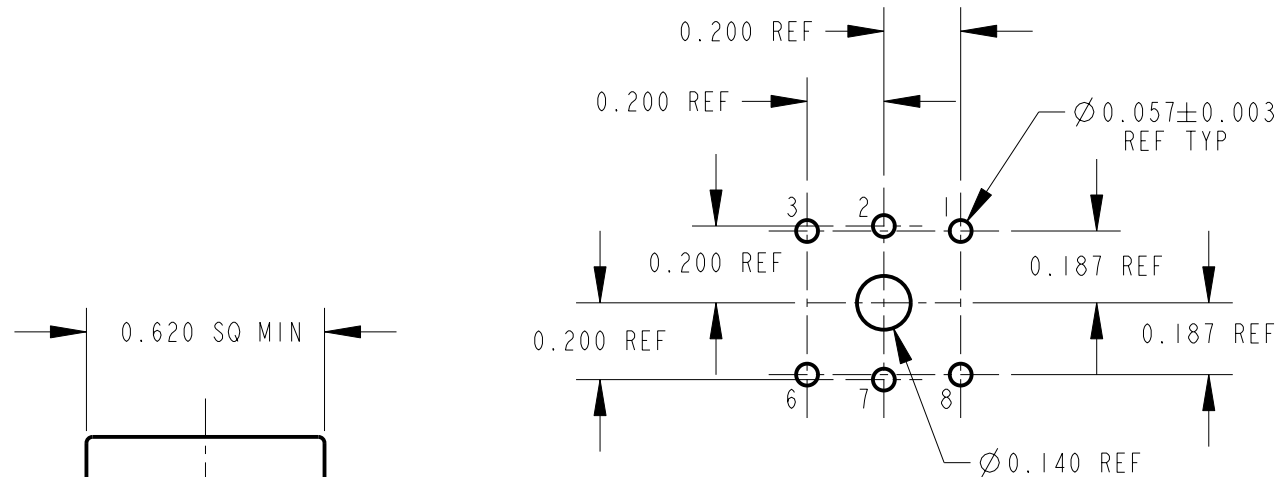
PART NUMBER	PUSHBUTTON COLOR
BXR016PC	RED
BXR026PC	BLACK
BXR036PC	GREEN
BXR056PC	WHITE



SCHEMATIC
2-C



CUSTOMER DRAWING



REV	ECO NUMBER	DATE	BY	APVD
C	27357	9-12-14	TO	TJK
B	24652	3-11-04	JL	RB
A	22495	3-29-01	DA	RB

REVISIONS

★ STAR SYMBOL DENOTES CRITICAL DIMENSION

UNLESS OTHERWISE SPECIFIED

1. ALL DIMENSIONS IN INCHES
 - TWO PLACE DECIMALS ±0.01
 - THREE PLACE DECIMALS ±0.005
 - ANGLES ±1°
 - ALL DIA. CONCENTRIC WITHIN 0.005 T.I.R.
2. FEATURES ON THE SAME CENTERLINE MUST BE ALIGNED WITHIN ±0.002
3. REMOVE ALL BURRS

DO NOT SCALE DRAWING

THIS DRAWING DESCRIBES A DESIGN CONSIDERED PROPRIETARY IN NATURE, DEVELOPED AND MANUFACTURED BY SWITCHCRAFT INC. AND IS RELEASED ON A CONFIDENTIAL BASIS FOR IDENTIFICATION PURPOSES ONLY.				
SIZE	WIDTH	MULT	LBS/M	TEMPER
FINISH		MATERIAL		
SPEC No.		SPEC No.		
FIRST USED ON		SCALE 3:1		
DATE DRAWN	BY	CHKD	APVD	
3-30-01	DA	RB	RB	
		4-6-01	4-6-01	
NAME			PART No.	REV
BOX SWITCH, MOMENTARY PC TERMINALS, RoHS			BXR0_6PC SERIES	C

Switchcraft

SHEET 1 OF 1