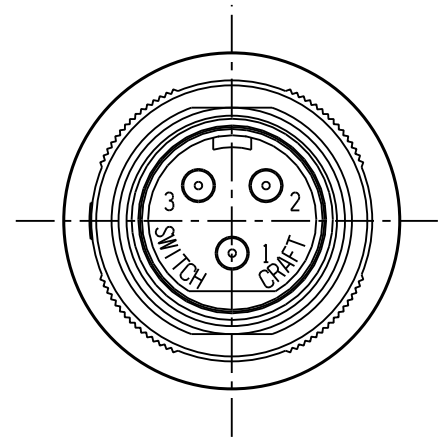
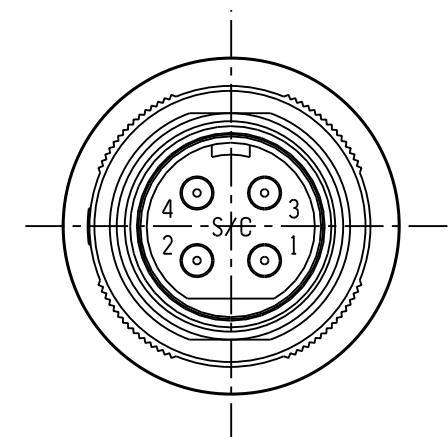


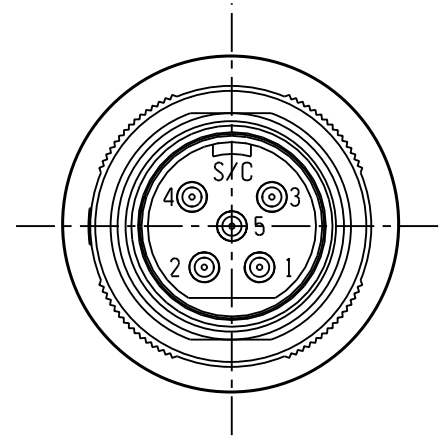
SL182MX



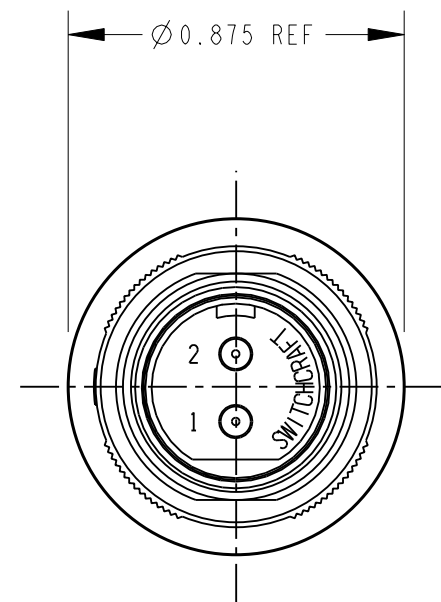
SL183MX



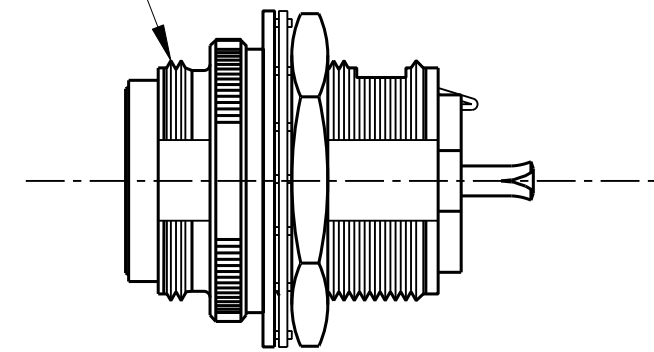
SL184MX



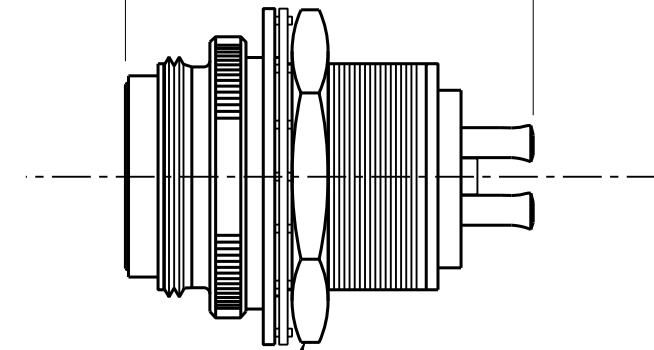
SL185MX



5/8-27 UNS-2A THREAD
BOTH ENDS REF



1.062 REF



SEE NOTE 1

NOTES:

1. HOUSING AND PIN ASSEMBLY SHIPPED UNASSEMBLED.
2. HEX NUT AND WASHERS SHIPPED UNASSEMBLED.
3. THESE PRODUCTS ARE RoHS COMPLIANT.

CUSTOMER DRAWING

REV	ECO NUMBER	DATE	BY	APVD
A	26150	11-30-06	TJK	TJK
REVISIONS				

★ STAR SYMBOL DENOTES CRITICAL DIMENSION

UNLESS OTHERWISE SPECIFIED

1. ALL DIMENSIONS IN INCHES
- TWO PLACE DECIMALS ±0.01
- THREE PLACE DECIMALS ±0.005
- ANGLES ±1°
- ALL DIA. CONCENTRIC WITHIN 0.005 T.I.R.
2. FEATURES ON THE SAME CENTERLINE MUST BE ALIGNED WITHIN ±0.002
3. REMOVE ALL BURRS

DO NOT SCALE DRAWING

THIS DRAWING DESCRIBES A DESIGN CONSIDERED PROPRIETARY IN NATURE, DEVELOPED AND MANUFACTURED BY SWITCHCRAFT INC. AND IS RELEASED ON A CONFIDENTIAL BASIS FOR IDENTIFICATION PURPOSES ONLY.										
SIZE		WIDTH		MULT		LBS/M		TEMPER		
FINISH					MATERIAL					
SPEC No.					SPEC No.					
FIRST USED ON				SCALE						
				DRAWING SCALE						
DATE DRAWN	BY	CHKD	APVD	Switchcraft [®]						
30-Nov-06	TJK	TJK	TJK							
				11-30-06		11-30-06		SHEET 1 OF 1		
NAME SLIM-LINE MALE FRONT PANEL MOUNT RECEPTACLE, RoHS								PART No. SL18_MX SERIES		REV A