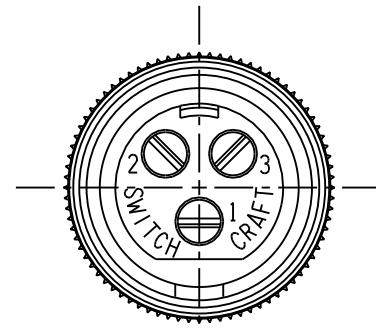


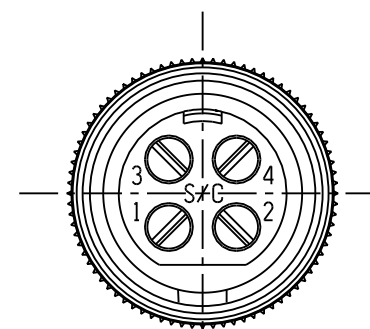
**SL412FX**

2 PIN



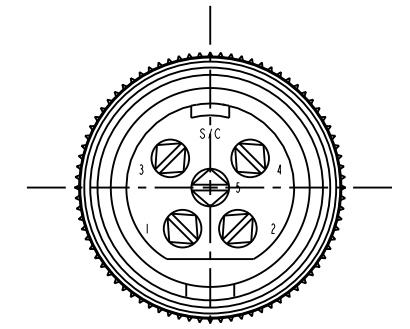
**SL413FX**

3 PIN



**SL414FX**

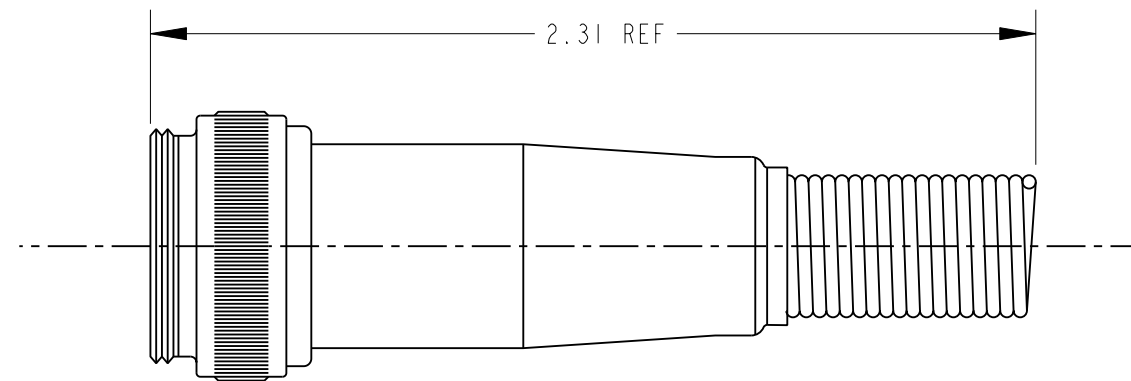
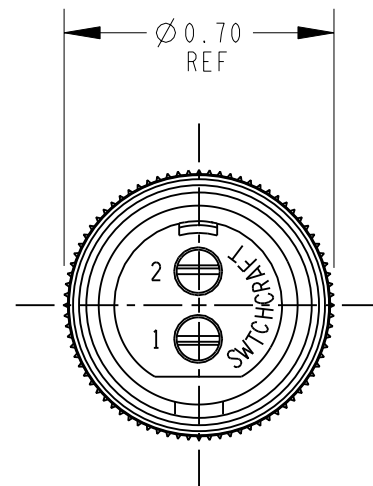
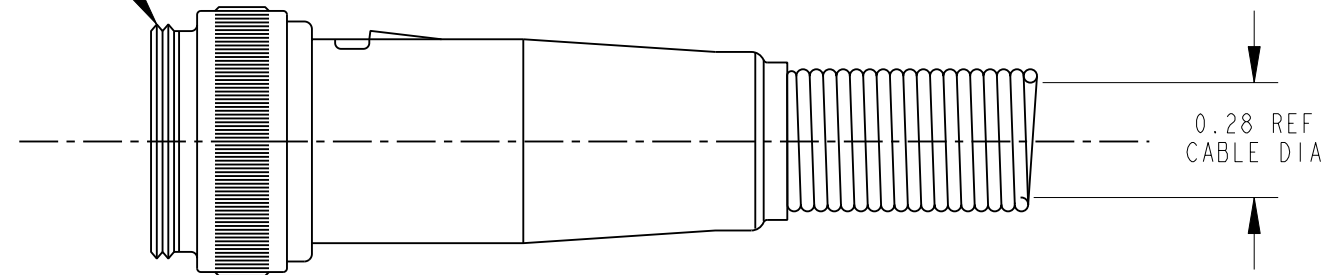
4 PIN



**SL415FX**

5 PIN

5/8-27 UNS-2A THREAD



CUSTOMER DRAWING

NOTES:

- MATERIALS:  
 HOUSING - COPPER ALLOY, NICKEL PLATED  
 INSERT - GLASS REINFORCED THERMOPLASTIC  
 CONTACTS - COPPER ALLOY SILVER PLATED  
 CABLE CLAMP - STEEL, TIN PLATED  
 STRAIN RELIEF - STEEL, NICKEL PLATED  
 LATCH - STEEL, NICKEL PLATED
- THESE PRODUCTS ARE RoHS COMPLIANT.

REV	ECO NUMBER	DATE	BY	APVD
B	25254	1-17-06	JEB	TJK
A	25221	12-5-05	JEB	TJK
REVISIONS				

★ STAR SYMBOL DENOTES CRITICAL DIMENSION

UNLESS OTHERWISE SPECIFIED

- ALL DIMENSIONS IN INCHES  
 - TWO PLACE DECIMALS ±0.01  
 - THREE PLACE DECIMALS ±0.005  
 - ANGLES ±1°  
 - ALL DIA. CONCENTRIC WITHIN 0.005 T.I.R.
- FEATURES ON THE SAME CENTERLINE MUST BE ALIGNED WITHIN ±0.002
- REMOVE ALL BURRS

DO NOT SCALE DRAWING

THIS DRAWING DESCRIBES A DESIGN CONSIDERED PROPRIETARY IN NATURE, DEVELOPED AND MANUFACTURED BY SWITCHCRAFT INC. AND IS RELEASED ON A CONFIDENTIAL BASIS FOR IDENTIFICATION PURPOSES ONLY.										
SIZE		WIDTH		MULT		LBS/M		TEMPER		
FINISH					MATERIAL					
SPEC No.					SPEC No.					
FIRST USED ON				SCALE						
				2:1						
DATE DRAWN	BY	CHKD	APVD	<b>Switchcraft®</b>						
25-Jul-08	JEB	JEB	TJK							
				7-29-08		1-8-09		SHEET   OF		
NAME FEMALE SLIM LINE CORD PLUG W/O COUPLER, RoHS								PART No. SL412FX-SL415FX		REV B