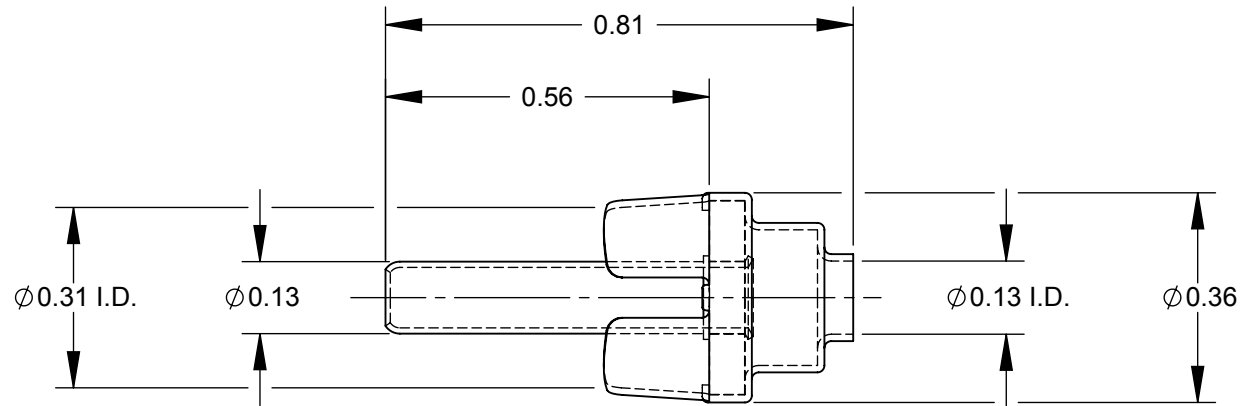
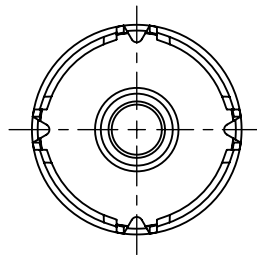
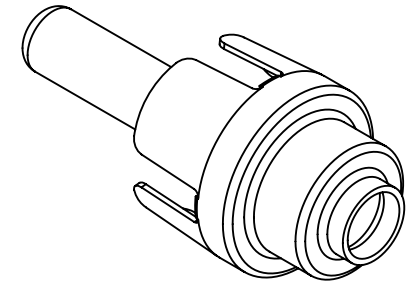


NOTES:

- MATERIALS:  
 PIN - BRASS, NICKEL PLATED  
 INSULATION WAFER, XXXP  
 SLEEVE - BRASS, NICKEL PLATED
- THIS PRODUCT IS RoHS COMPLIANT.



**CUSTOMER DRAWING**

					THIS DRAWING DESCRIBES A DESIGN CONSIDERED PROPRIETARY IN NATURE, DEVELOPED AND MANUFACTURED BY SWITCHCRAFT INC. AND IS RELEASED ON A CONFIDENTIAL BASIS FOR IDENTIFICATION PURPOSES ONLY.				
					SIZE	WIDTH	MULT	LBS/M	TEMPER
UNLESS OTHERWISE SPECIFIED					FINISH SEE NOTES			MATERIAL SEE NOTES	
1. ALL DIMENSIONS IN INCHES					SPEC No.			SPEC No.	
- TWO PLACE DECIMALS ±0.02					FIRST USED ON		SCALE 3:1		
- THREE PLACE DECIMALS ±0.005					DATE DRAWN	BY	CHKD	APVD	
A	25259	8-17-06	RF	TJK	8-17-06	RF	RF	TJK	
REVISIONS					NAME			PART No.	
DO NOT SCALE DRAWING					PHONO PLUG			3501MX	
					TWO CONDUCTOR, RoHS			REV A	

