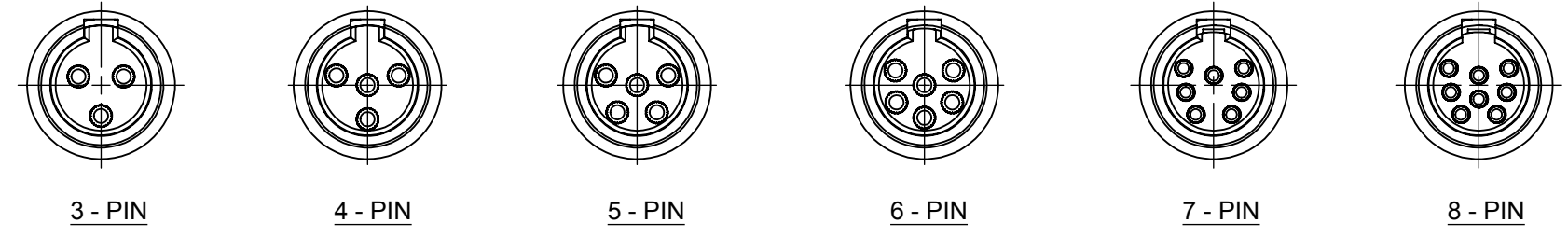


T A M

X



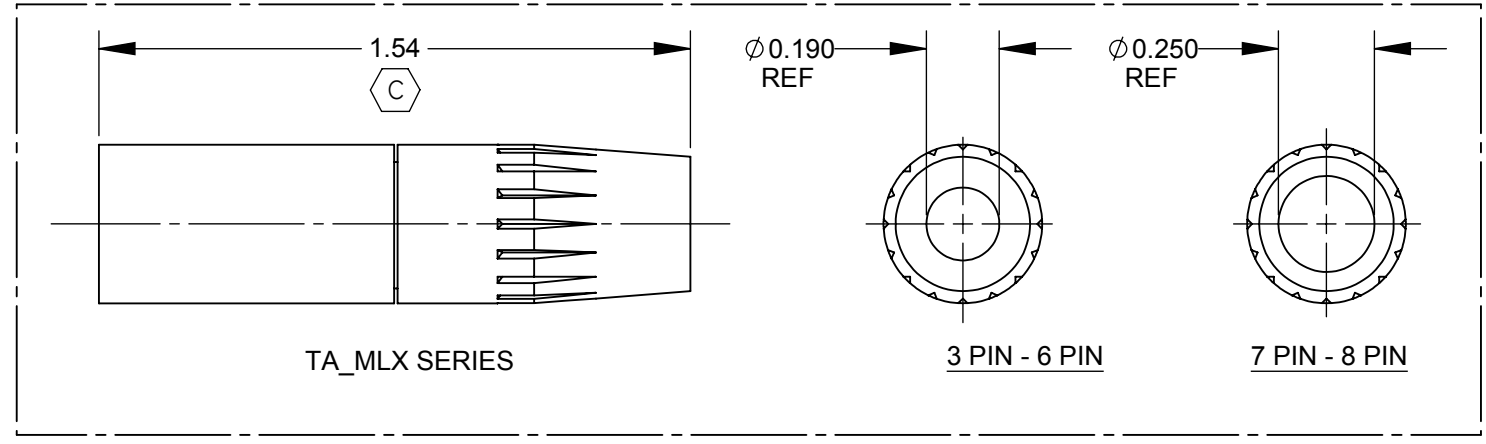
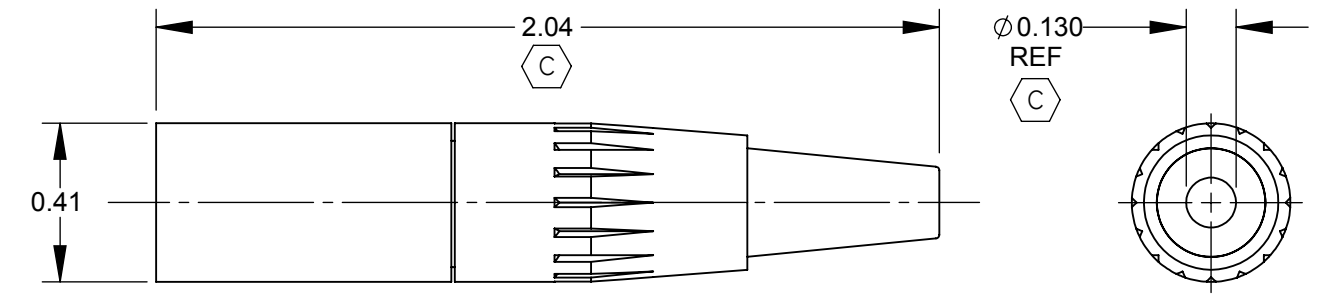
RoHS COMPLIANT
E - PLATED PLASTIC HANDLE

CONTACT PLATING
BLANK - SILVER (STANDARD)
AU - GOLD

HOUSING FINISH
BLANK - NICKEL
B - BLACK CHROME

FLEX RELIEF SIZE (CABLE RANGE)
BLANK - STANDARD SIZE (∅0.065 - ∅0.155)
L - NO FLEX RELIEF
3 PIN - 6 PIN HANDLE (∅0.115 - ∅0.190)
7 PIN - 8 PIN HANDLE (∅0.115 - ∅0.250)

NUMBER OF CONTACTS
3 - 3 CONTACTS
4 - 4 CONTACTS
5 - 5 CONTACTS
6 - 6 CONTACTS
7 - 7 CONTACTS
8 - 8 CONTACTS



CUSTOMER DRAWING

NOTES:
1. MATERIALS:
HOUSING - COPPER ALLOY, NICKEL PLATED
CONTACTS - COPPER ALLOY, SILVER OR GOLD PLATED
HANDLE - THERMOPLASTIC (UL 94V-0), BLACK
FLEX RELIEF - PVC (UL 94V-0), BLACK
CABLE CLAMP - STEEL, ELECTRO-TIN PLATED
CONTACT INSULATORS - PPS (UL 94V-0)
2. THIS PRODUCT IS RoHS COMPLIANT.

REV	ECO NUMBER	DATE	BY	APVD
D	26500	02-03-10	JEB	TJK
C	25955	09-22-08	JEB	TJK
B	25885	06-10-08	JEB	TJK
A	25229	12-21-05	AH	TJK

UNLESS OTHERWISE SPECIFIED
1. ALL DIMENSIONS IN INCHES
- TWO PLACE DECIMALS ±0.02
- THREE PLACE DECIMALS ±0.005
DO NOT SCALE DRAWING

THIS DRAWING DESCRIBES A DESIGN CONSIDERED PROPRIETARY IN NATURE, DEVELOPED AND MANUFACTURED BY SWITCHCRAFT INC. AND IS RELEASED ON A CONFIDENTIAL BASIS FOR IDENTIFICATION PURPOSES ONLY.									
SIZE	WIDTH	MULT	LBS/M	TEMPER					
FINISH					MATERIAL				
SPEC No.					SPEC No.				
FIRST USED ON				SCALE 2:1					
DATE DRAWN	BY	CHKD	APVD	Switchcraft®					
06-12-12	JEB	JEB	TJK	SHEET 1 OF 1					
NAME				PART No.			REV		
TINI QG MALE				TA_MX SERIES			D		
STRAIGHT CORD PLUG, RoHS									