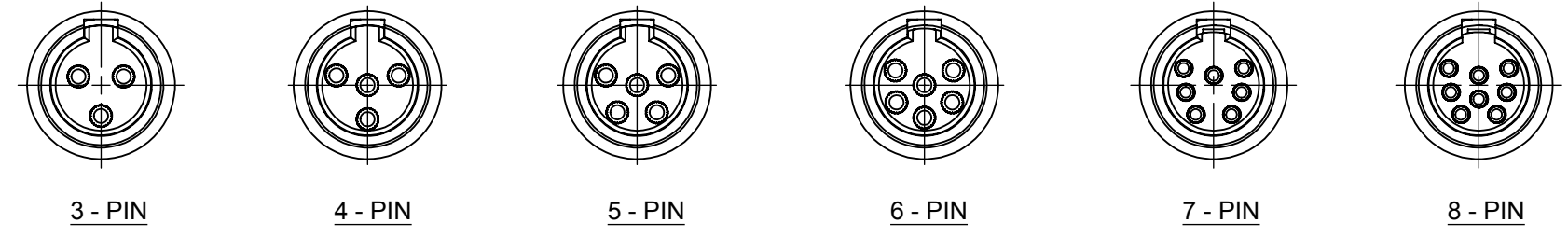


**T A M**

**X**



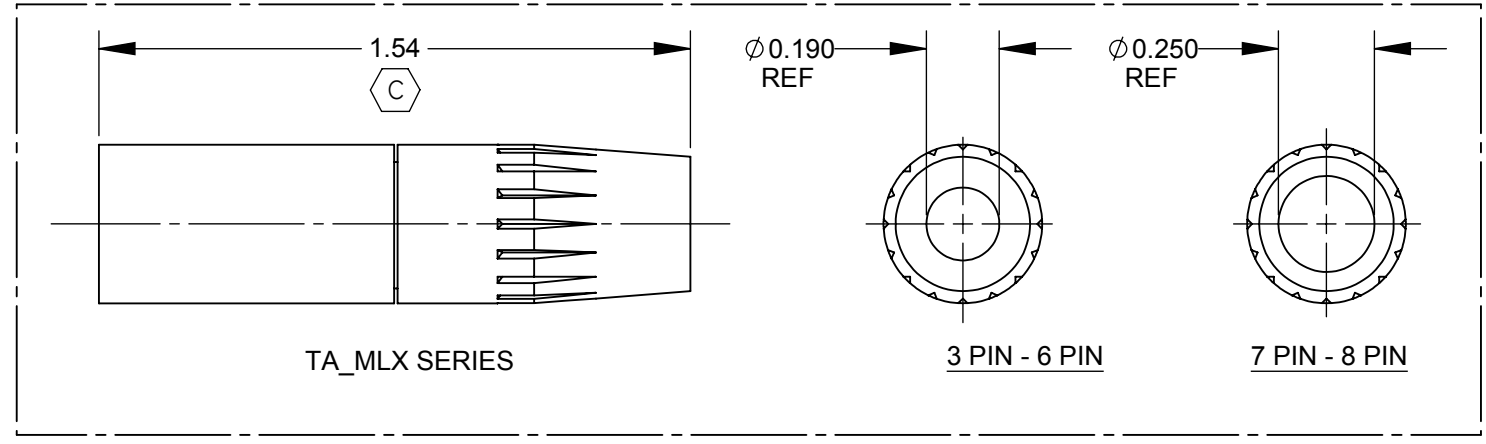
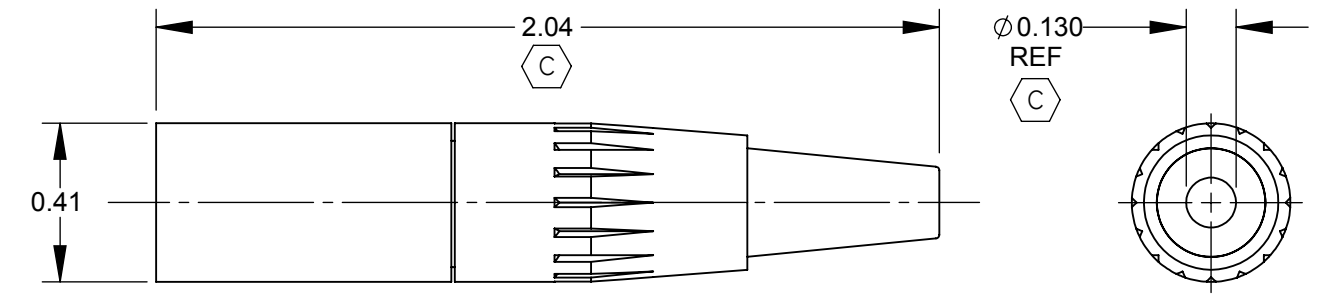
RoHS COMPLIANT  
E - PLATED PLASTIC HANDLE

CONTACT PLATING  
BLANK - SILVER (STANDARD)  
AU - GOLD

HOUSING FINISH  
BLANK - NICKEL  
B - BLACK CHROME

FLEX RELIEF SIZE (CABLE RANGE)  
BLANK - STANDARD SIZE (∅0.065 - ∅0.155)  
L - NO FLEX RELIEF  
3 PIN - 6 PIN HANDLE (∅0.115 - ∅0.190)   
7 PIN - 8 PIN HANDLE (∅0.115 - ∅0.250)

NUMBER OF CONTACTS  
3 - 3 CONTACTS  
4 - 4 CONTACTS  
5 - 5 CONTACTS  
6 - 6 CONTACTS  
7 - 7 CONTACTS  
8 - 8 CONTACTS



**CUSTOMER DRAWING**

**NOTES:**  
1. MATERIALS:  
HOUSING - COPPER ALLOY, NICKEL PLATED  
CONTACTS - COPPER ALLOY, SILVER OR GOLD PLATED  
HANDLE - THERMOPLASTIC (UL 94V-0), BLACK  
FLEX RELIEF - PVC (UL 94V-0), BLACK  
CABLE CLAMP - STEEL, ELECTRO-TIN PLATED  
CONTACT INSULATORS - PPS (UL 94V-0)  
2. THIS PRODUCT IS RoHS COMPLIANT.

REV	ECO NUMBER	DATE	BY	APVD
D	26500	02-03-10	JEB	TJK
C	25955	09-22-08	JEB	TJK
B	25885	06-10-08	JEB	TJK
A	25229	12-21-05	AH	TJK

UNLESS OTHERWISE SPECIFIED  
1. ALL DIMENSIONS IN INCHES  
- TWO PLACE DECIMALS ±0.02  
- THREE PLACE DECIMALS ±0.005  
**DO NOT SCALE DRAWING**

THIS DRAWING DESCRIBES A DESIGN CONSIDERED PROPRIETARY IN NATURE, DEVELOPED AND MANUFACTURED BY SWITCHCRAFT INC. AND IS RELEASED ON A CONFIDENTIAL BASIS FOR IDENTIFICATION PURPOSES ONLY.									
SIZE	WIDTH	MULT	LBS/M	TEMPER					
FINISH					MATERIAL				
SPEC No.					SPEC No.				
FIRST USED ON				SCALE 2:1					
DATE DRAWN	BY	CHKD	APVD	Switchcraft®					
06-12-12	JEB	JEB	TJK	SHEET 1 OF 1					
				PART No.				REV	
				TINI QG MALE STRAIGHT CORD PLUG, RoHS				TA_MX SERIES	
								D	