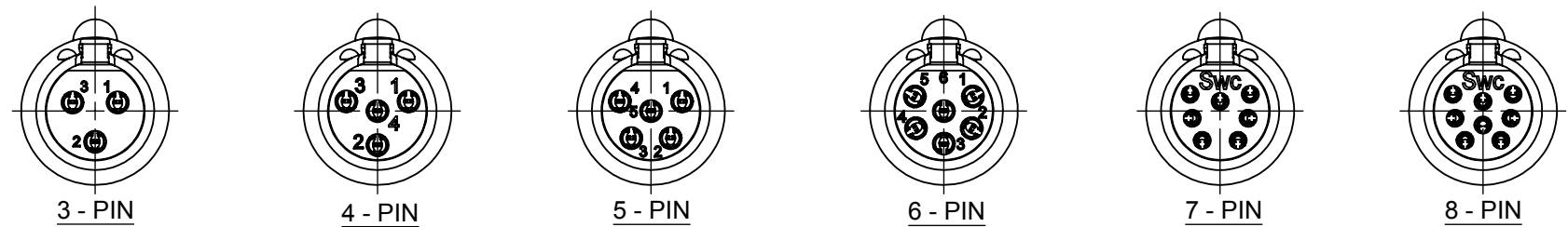
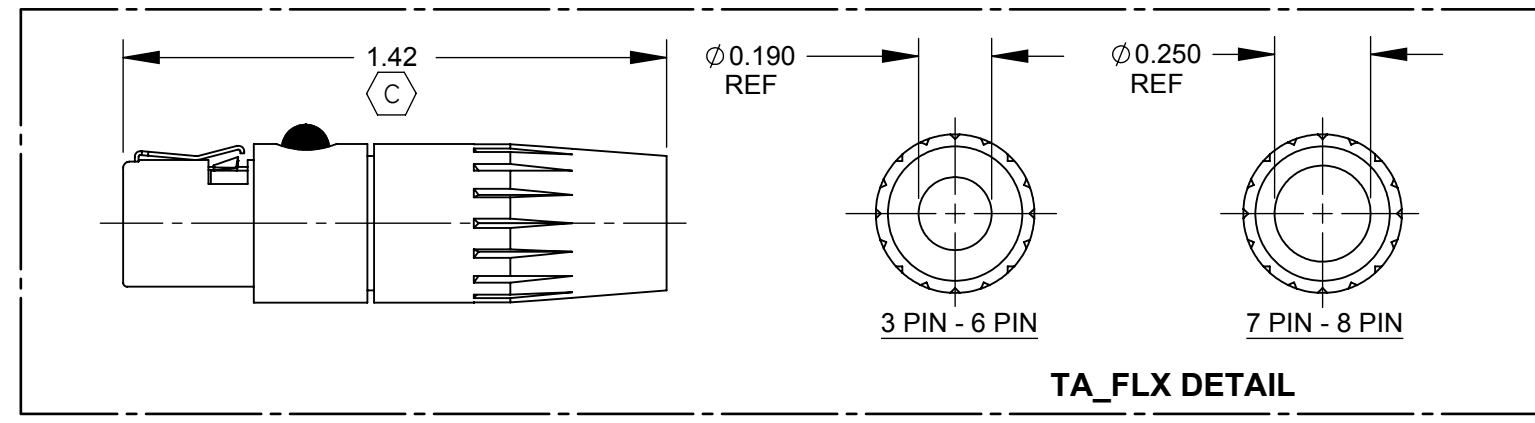
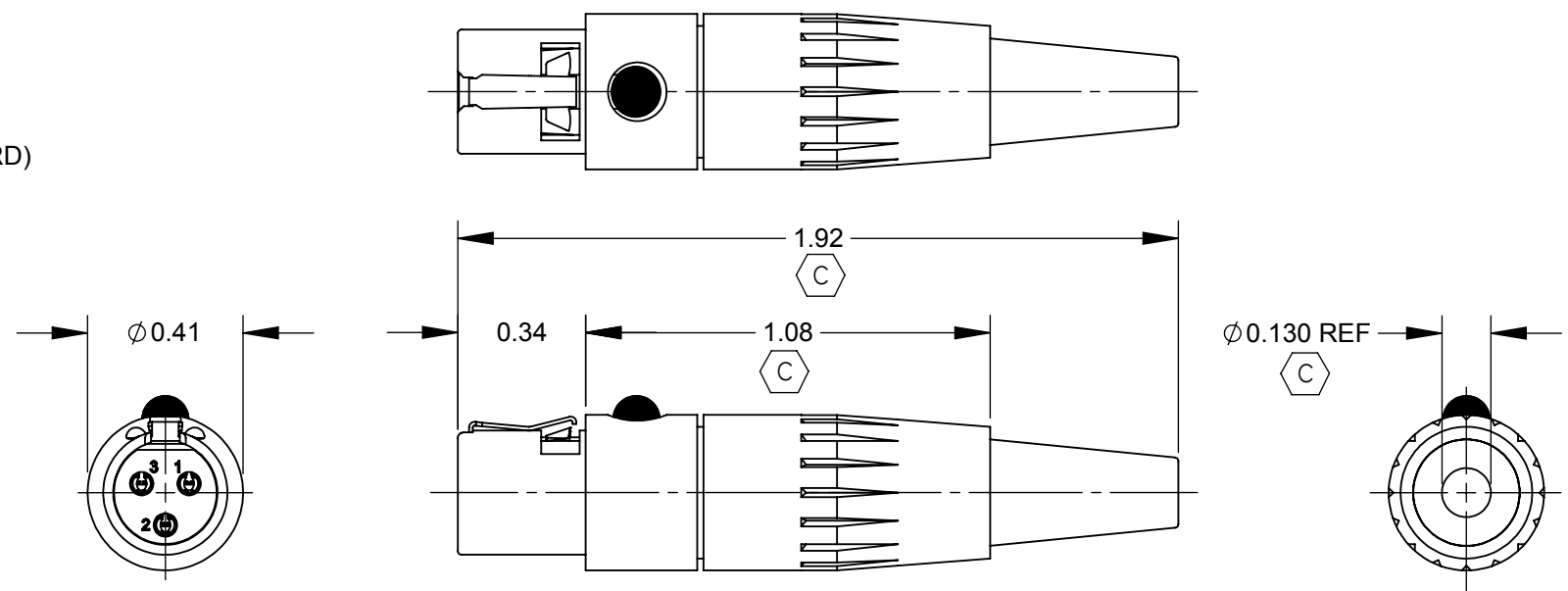


T A F

X



- RoHS COMPLIANT
- HANDLE FINISH
 - BLANK - BLACK PLASTIC (STANDARD)
 - E - NICKEL PLATED PLASTIC
- CONTACT PLATING
 - BLANK - SILVER (STANDARD)
 - AU - GOLD
- HOUSING FINISH
 - BLANK - NICKEL
 - B - BLACK CHROME
- FLEX RELIEF SIZE (CABLE RANGE)
 - BLANK - STANDARD SIZE ($\phi 0.065 - \phi 0.155$)
 - L - NONE, PLASTIC HANDLE ONLY (SEE "TA_FLX" DETAIL)
 - 3 PIN - 6 PIN HANDLE ($\phi 0.115 - \phi 0.190$)
 - 7 PIN - 8 PIN HANDLE ($\phi 0.115 - \phi 0.250$)
- NUMBER OF CONTACTS
 - 3 - 3 CONTACTS
 - 4 - 4 CONTACTS
 - 5 - 5 CONTACTS
 - 6 - 6 CONTACTS
 - 7 - 7 CONTACTS
 - 8 - 8 CONTACTS



CUSTOMER DRAWING

NOTES:

- MATERIALS:**
 HOUSING - COPPER ALLOY, NICKEL PLATED OR BLACK CHROME PLATED
 CONTACTS - COPPER ALLOY, SILVER PLATED OR GOLD PLATED
 HANDLE - THERMOPLASTIC, BLACK OR NICKEL PLATED
 FLEX RELIEF - PVC, BLACK
 CABLE CLAMP - STEEL, ELECTRO-TIN PLATED
 CONTACT INSULATORS - THERMOPLASTIC, BROWN
- THIS PRODUCT IS RoHS COMPLIANT.

REV	ECO NUMBER	DATE	BY	APVD
C	25955	09-22-08	JEB	TJK
B	25388	07-22-06	JEB	TJK
A	25229	12-21-05	AH	TJK
REVISIONS				

UNLESS OTHERWISE SPECIFIED

1. ALL DIMENSIONS IN INCHES

- TWO PLACE DECIMALS ± 0.02

- THREE PLACE DECIMALS ± 0.005

DO NOT SCALE DRAWING

THIS DRAWING DESCRIBES A DESIGN CONSIDERED PROPRIETARY IN NATURE, DEVELOPED AND MANUFACTURED BY SWITCHCRAFT INC. AND IS RELEASED ON A CONFIDENTIAL BASIS FOR IDENTIFICATION PURPOSES ONLY.									
SIZE		WIDTH		MULT		LBS/M		TEMPER	
FINISH						MATERIAL			
SPEC No.						SPEC No.			
FIRST USED ON				SCALE		Switchcraft [®]			
				2:1					
DATE DRAWN	BY	CHKD	APVD						
11-02-10	JEB	JEB	TJK						
				11-02-10	03-08-11				
NAME						PART No.		REV	
TINI QG FEMALE						TA_FX SERIES		C	
STRAIGHT CORD PLUG, RoHS									