

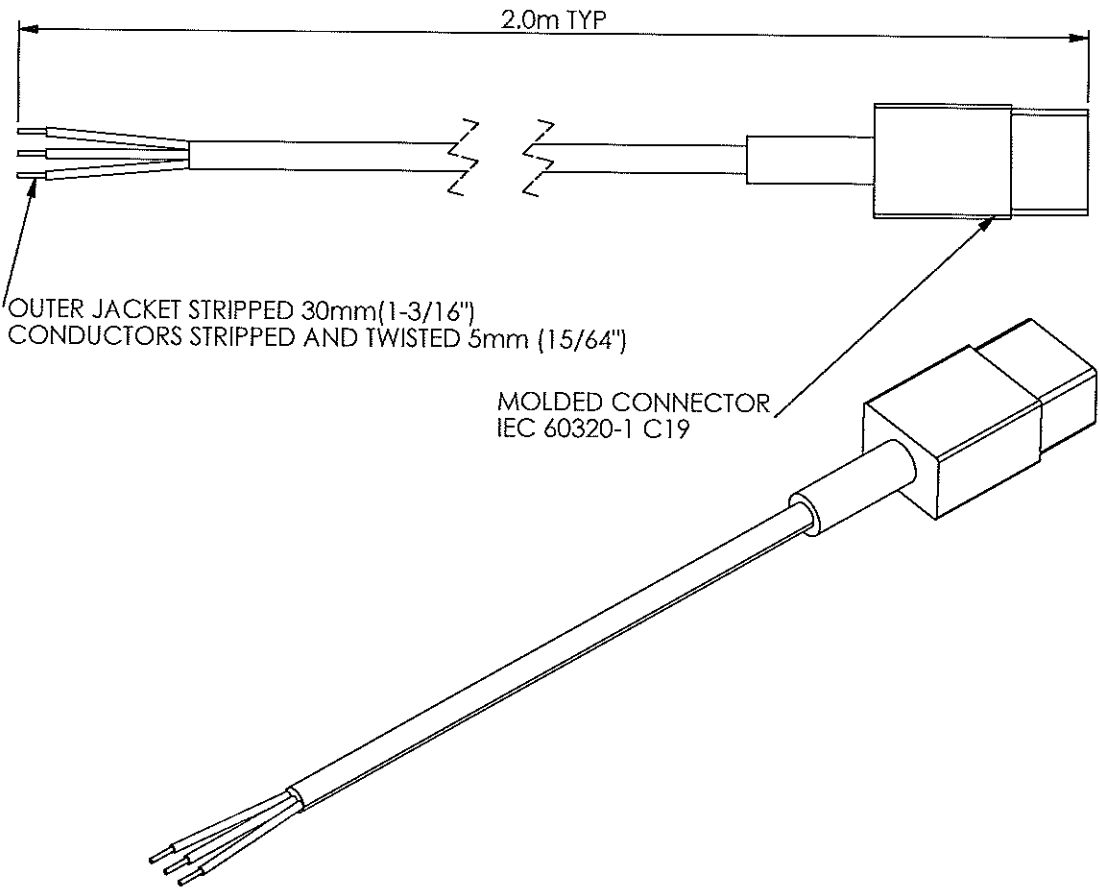
**ROHS COMPLIANCE**

CONTROLLED COPY  
15.03.12  
N.L.I. R&D

**20A 125V OPEN CORD SET (USA)**

1. UNSHIELDED, 3 CONDUCTORS
2. RATING MIN.: 20A, 125V
3. POWER CORD LENGTH: 2m TYP.
4. JACKET COLOR: BLACK.
5. TEMPERATURE RATING MIN.: 75°C.  $\triangle 3$
6. COMPONENTS DESCRIPTION:
  1. CABLE:
    - TYPE: SJT, SJTO
    - CONDUCTORS CROSS-SECTION AREA MIN.: 2.5mm<sup>2</sup>/12AWG
    - RATED MIN.: 20A, 125V;
    - SAFETY MARKING: UL MARK/CSA
  - $\triangle 1$  2. CONNECTOR:
    - IEC 60320-1 CERTIFIED, UL/CSA APPROVED, TYPE C19;
    - RATED MIN.: 20A, 125V;
    - SAFETY MARKING: CERTIFICATION AGENCY MARK(S), UL/CSA MARKS, RATING, TYPE

$\triangle 2$



OUTER JACKET STRIPPED 30mm(1-3/16")  
CONDUCTORS STRIPPED AND TWISTED 5mm (15/64")

MOLDED CONNECTOR  
IEC 60320-1 C19

NOTE:  
ROHS COMPLIANCE  
REFER TO D-L GROUP  
GREEN PROCUREMENT  
GUIDELINE : DL-EMS-010\_

C	$\triangle 2$ - $\triangle 3$	REV. B3	28.FEB.2012	<i>[Signature]</i>	Kami S.
B	$\triangle 1$	REV. B2	26.JAN.2012		
A	NEW DRAWING		17.JAN.2012		
D	CONTENTS		DATE	ENGR	CHK

DWG	S.MIKI	28.1.2012	SHEET OF	
ENGR	S.MIKI	28.2.2012	1	1
CHK	<i>[Signature]</i>	28.02.12	SCALE	NONE
APPD	Kami S.	Feb-28-12	UNITS	mm
ISSUED		Feb-28-12	$\triangle$	3

MATERIALS	TITLE	20A 125V OPEN CORD SET (USA)
FINISH	DRAWING No.	IA706-81-12 - $\square C$
<b>TDK-Lambda</b>		