



Inductors for Power Circuits

Wound Ferrite

VLF-M series

VLF252010MT

VLF252012MT

VLF252015MT

VLF302510MT

VLF302512MT

VLF302515MT

VLF403210MT

VLF403212MT

VLF403215MT

VLF504010MT

VLF504012MT

VLF504015MT

REMINDERS FOR USING THESE PRODUCTS

Before using these products, be sure to request the delivery specifications.

SAFETY REMINDERS

Please pay sufficient attention to the warnings for safe designing when using these products.

REMINDERS

- The storage period is less than 12 months. Be sure to follow the storage conditions (Temperature: 5 to 40°C, Humidity: 10 to 75% RH or less).
If the storage period elapses, the soldering of the terminal electrodes may deteriorate.
- Do not use or store in locations where there are conditions such as gas corrosion (salt, acid, alkali, etc.).
- Before soldering, be sure to preheat components.
The preheating temperature should be set so that the temperature difference between the solder temperature and chip temperature does not exceed 150°C.
- Soldering corrections after mounting should be within the range of the conditions determined in the specifications.
If overheated, a short circuit, performance deterioration, or lifespan shortening may occur.
- When embedding a printed circuit board where a chip is mounted to a set, be sure that residual stress is not given to the chip due to the overall distortion of the printed circuit board and partial distortion such as at screw tightening portions.
- Self heating (temperature increase) occurs when the power is turned ON, so the tolerance should be sufficient for the set thermal design.
- Carefully lay out the coil for the circuit board design of the non-magnetic shield type.
A malfunction may occur due to magnetic interference.
- Use a wrist band to discharge static electricity in your body through the grounding wire.
- Do not expose the products to magnets or magnetic fields.
- Do not use for a purpose outside of the contents regulated in the delivery specifications.
- The products listed on this catalog are intended for use in general electronic equipment (AV equipment, telecommunications equipment, home appliances, amusement equipment, computer equipment, personal equipment, office equipment, measurement equipment, industrial robots) under a normal operation and use condition.
The products are not designed or warranted to meet the requirements of the applications listed below, whose performance and/or quality require a more stringent level of safety or reliability, or whose failure, malfunction or trouble could cause serious damage to society, person or property.
If you intend to use the products in the applications listed below or if you have special requirements exceeding the range or conditions set forth in the each catalog, please contact us.

- (1) Aerospace/Aviation equipment
- (2) Transportation equipment (cars, electric trains, ships, etc.)
- (3) Medical equipment
- (4) Power-generation control equipment
- (5) Atomic energy-related equipment
- (6) Seabed equipment
- (7) Transportation control equipment

- (8) Public information-processing equipment
- (9) Military equipment
- (10) Electric heating apparatus, burning equipment
- (11) Disaster prevention/crime prevention equipment
- (12) Safety equipment
- (13) Other applications that are not considered general-purpose applications

When designing your equipment even for general-purpose applications, you are kindly requested to take into consideration securing protection circuit/device or providing backup circuits in your equipment.

Inductors for Power Circuits

Product compatible with RoHS directive

Halogen-free

Wound Ferrite

Compatible with lead-free solders

Overview of the VLF-M Series

FEATURES

- Magnetic shield type wound inductor for power circuits.
- A DC-DC converter with top-class voltage conversion efficiency for similar products was achieved by optimizing the magnetic material and configuration.
- Low-profile product lineup with max. heights of 1.0mm, 1.2mm, and 1.5mm allowing for different usages.
- High magnetic shield construction and compatible with high-density mounting.
- Halogen-free compatible product.

APPLICATION

Smart phones, tablet terminals, HDDs, SSDs, DVCs, DSCs, mobile display panels, portable game devices, compact power supply modules, other

PART NUMBER CONSTRUCTION

| VLF | | 252010 | | M | | T | | - | | R47 | | N | |
|-------------|-------------------------------|-------------|---------------|---|-----------------|--------|--------------------------|------|-------------------------|-----------|--|---|--|
| Series name | LxWxH Dimensions (mm max.) | | internal code | | Packaging style | | Inductance (μ H) | | Inductance tolerance | | | | |
| | 252010 | 2.5x2.0x1.0 | | | T | Taping | R47 | 0.47 | M | \pm 20% | | | |
| | 252012 | 2.5x2.0x1.2 | | | | | 1R5 | 1.5 | N | \pm 30% | | | |
| | 252015 | 2.5x2.0x1.5 | | | | | 220 | 22 | | | | | |
| | 302510 | 3.0x2.5x1.0 | | | | | | | | | | | |
| | 302512 | 3.0x2.5x1.2 | | | | | | | | | | | |
| | 302515 | 3.0x2.5x1.5 | | | | | | | | | | | |
| | 403210 | 4.0x3.2x1.0 | | | | | | | | | | | |
| | 403212 | 4.0x3.2x1.2 | | | | | | | | | | | |
| | 403215 | 4.0x3.2x1.5 | | | | | | | | | | | |
| | 504010 | 5.0x4.0x1.0 | | | | | | | | | | | |
| | 504012 | 5.0x4.0x1.2 | | | | | | | | | | | |
| | 504015 | 5.0x4.0x1.5 | | | | | | | | | | | |

OPERATING TEMPERATURE RANGE, PACKAGE QUANTITY, PRODUCT WEIGHT

| Type | Temperature range | | Package quantity (pieces/reel) | Individual weight (g) |
|-------------|------------------------|-----------------------|-----------------------------------|--------------------------|
| | Operating temperature* | Storage temperature** | | |
| | ($^{\circ}$ C) | ($^{\circ}$ C) | | |
| VLF252010MT | -40 to +105 | -40 to +105 | 2000 | 0.017 |
| VLF252012MT | -40 to +105 | -40 to +105 | 2000 | 0.021 |
| VLF252015MT | -40 to +105 | -40 to +105 | 2000 | 0.027 |
| VLF302510MT | -40 to +105 | -40 to +105 | 2000 | 0.026 |
| VLF302512MT | -40 to +105 | -40 to +105 | 2000 | 0.033 |
| VLF302515MT | -40 to +105 | -40 to +105 | 2000 | 0.041 |
| VLF403210MT | -40 to +105 | -40 to +105 | 1000 | 0.048 |
| VLF403212MT | -40 to +105 | -40 to +105 | 1000 | 0.059 |
| VLF403215MT | -40 to +105 | -40 to +105 | 1000 | 0.072 |
| VLF504010MT | -40 to +105 | -40 to +105 | 1000 | 0.073 |
| VLF504012MT | -40 to +105 | -40 to +105 | 1000 | 0.089 |
| VLF504015MT | -40 to +105 | -40 to +105 | 1000 | 0.114 |

* Operating temperature range includes self-temperature rise.

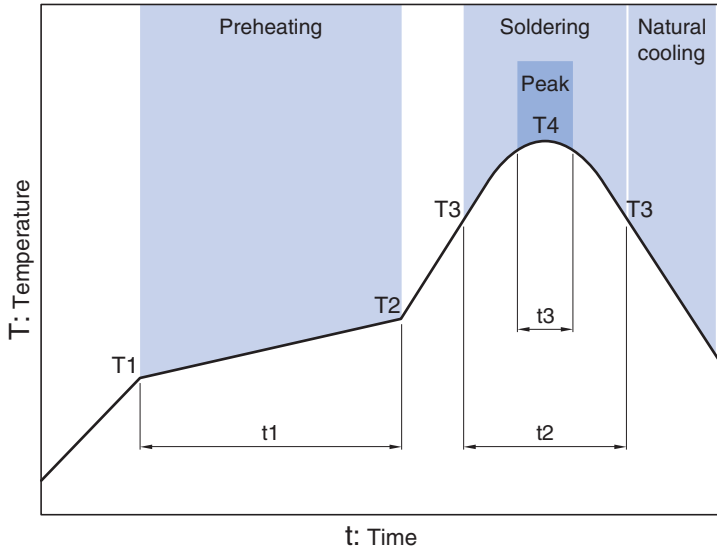
** The Storage temperature range is for after the circuit board is mounted.

- RoHS Directive Compliant Product: See the following for more details related to RoHS Directive compliant products. <http://www.tdk.co.jp/rohs/>
- Halogen-free: Indicates that Cl content is less than 900ppm, Br content is less than 900ppm, and that the total Cl and Br content is less than 1500ppm.

• All specifications are subject to change without notice.

Overview of the VLF-M Series

RECOMMENDED REFLOW PROFILE



| Preheating | | | Soldering | | Peak | |
|------------|-------|------------|-----------|------|-------|------|
| Temp. | Temp. | Time | Temp. | Time | Temp. | Time |
| T1 | T2 | t1 | T3 | t2 | T4 | t3 |
| 150°C | 180°C | 60 to 120s | 230°C | 30s | 260°C | 10s |

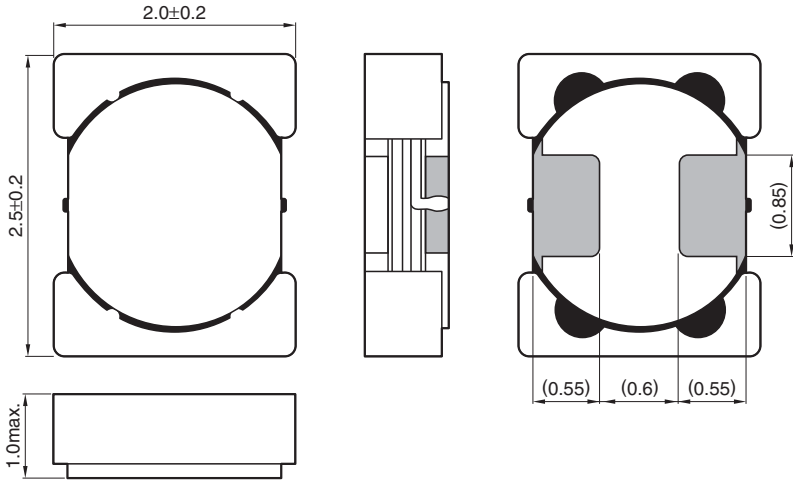
• All specifications are subject to change without notice.

VLF-M series

VLF252010MT Type

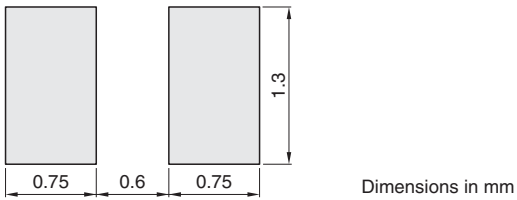


■ SHAPE & DIMENSIONS



Dimensions in mm

■ RECOMMENDED LAND PATTERN



Dimensions in mm

• All specifications are subject to change without notice.

VLF-M series VLF252010MT Type

■ ELECTRICAL CHARACTERISTICS

□ CHARACTERISTICS SPECIFICATION TABLE

| L (μ H) | Tolerance | Measuring frequency (MHz) | DC resistance (Ω) | | Rated current(A)* | | | Part No. |
|-----------------|------------|---------------------------------|-------------------------------|-------|-------------------|--------------|------|------------------|
| | | | max. | typ. | max. Idc1 | typ. Idc1 | Idc2 | |
| 0.47 | $\pm 30\%$ | 1.0 | 0.029 | 0.024 | 1.84 | 2.04 | 3.35 | VLF252010MT-R47N |
| 0.68 | $\pm 30\%$ | 1.0 | 0.043 | 0.036 | 1.53 | 1.70 | 2.70 | VLF252010MT-R68N |
| 1.0 | $\pm 30\%$ | 1.0 | 0.059 | 0.049 | 1.27 | 1.41 | 2.25 | VLF252010MT-1R0N |
| 1.5 | $\pm 30\%$ | 1.0 | 0.090 | 0.075 | 0.99 | 1.10 | 1.83 | VLF252010MT-1R5N |
| 2.2 | $\pm 20\%$ | 1.0 | 0.12 | 0.10 | 0.83 | 0.92 | 1.47 | VLF252010MT-2R2M |
| 3.3 | $\pm 20\%$ | 1.0 | 0.19 | 0.16 | 0.68 | 0.75 | 1.15 | VLF252010MT-3R3M |
| 4.7 | $\pm 20\%$ | 1.0 | 0.30 | 0.25 | 0.57 | 0.64 | 0.95 | VLF252010MT-4R7M |
| 6.8 | $\pm 20\%$ | 1.0 | 0.36 | 0.30 | 0.47 | 0.53 | 0.85 | VLF252010MT-6R8M |
| 10.0 | $\pm 20\%$ | 1.0 | 0.59 | 0.49 | 0.39 | 0.44 | 0.66 | VLF252010MT-100M |
| 15.0 | $\pm 20\%$ | 1.0 | 0.87 | 0.73 | 0.31 | 0.34 | 0.53 | VLF252010MT-150M |
| 22.0 | $\pm 20\%$ | 1.0 | 1.26 | 1.05 | 0.26 | 0.29 | 0.45 | VLF252010MT-220M |

* Rated current: smaller value of either Idc1 or Idc2.

Idc1: When based on the inductance change rate (30% below the nominal value)

Idc2: When based on the temperature increase (Temperature increase of 40°C by self heating)

○ Measurement equipment

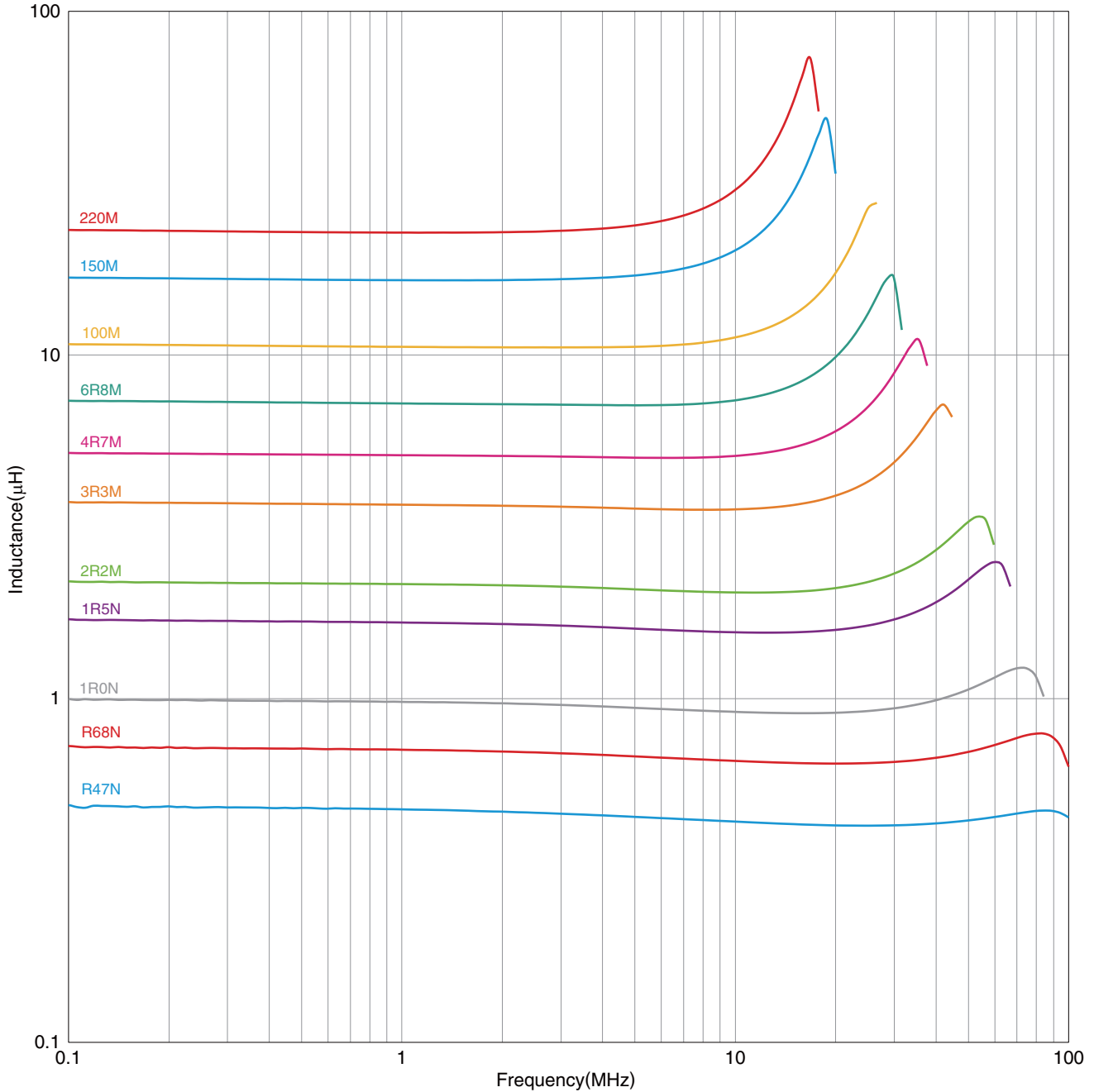
| Measurement item | Product No. | Manufacturer |
|--------------------|---------------------|----------------------|
| L | 4294A | Agilent Technologies |
| DC resistance | VP-2941A | Panasonic |
| Rated current Idc1 | 4285A+42841A+42842C | Agilent Technologies |

* Equivalent measurement equipment may be used.

VLF-M series VLF252010MT Type

ELECTRICAL CHARACTERISTICS

L FREQUENCY CHARACTERISTICS GRAPH



○ Measurement equipment

| Product No. | Manufacturer |
|-------------|----------------------|
| 4294A | Agilent Technologies |

* Equivalent measurement equipment may be used.

• All specifications are subject to change without notice.

VLF-M series VLF252010MT Type

ELECTRICAL CHARACTERISTICS

INDUCTANCE VS. DC BIAS CHARACTERISTICS GRAPH



○ Measurement equipment

| Product No. | Manufacturer |
|---------------------|----------------------|
| 4285A+42841A+42842C | Agilent Technologies |

* Equivalent measurement equipment may be used.

• All specifications are subject to change without notice.

VLF-M series

VLF252012MT Type



■ SHAPE & DIMENSIONS



Dimensions in mm

■ RECOMMENDED LAND PATTERN



Dimensions in mm

• All specifications are subject to change without notice.

VLF-M series VLF252012MT Type

■ ELECTRICAL CHARACTERISTICS

□ CHARACTERISTICS SPECIFICATION TABLE

| L (μ H) | tolerance | Measuring frequency (MHz) | DC resistance (Ω) | | Rated current(A)* | | | Part No. |
|-----------------|------------|---------------------------------|-------------------------------|-------|-------------------|------|------|------------------|
| | | | max. | typ. | ldc1 | ldc1 | ldc2 | |
| 0.47 | $\pm 30\%$ | 1.0 | 0.029 | 0.024 | 1.89 | 2.10 | 3.45 | VLF252012MT-R47N |
| 0.68 | $\pm 30\%$ | 1.0 | 0.038 | 0.032 | 1.55 | 1.72 | 3.04 | VLF252012MT-R68N |
| 1.0 | $\pm 30\%$ | 1.0 | 0.052 | 0.043 | 1.30 | 1.44 | 2.47 | VLF252012MT-1R0N |
| 1.5 | $\pm 30\%$ | 1.0 | 0.069 | 0.057 | 1.10 | 1.22 | 2.17 | VLF252012MT-1R5N |
| 2.2 | $\pm 20\%$ | 1.0 | 0.10 | 0.09 | 0.94 | 1.04 | 1.67 | VLF252012MT-2R2M |
| 3.3 | $\pm 20\%$ | 1.0 | 0.15 | 0.13 | 0.70 | 0.78 | 1.39 | VLF252012MT-3R3M |
| 4.7 | $\pm 20\%$ | 1.0 | 0.22 | 0.18 | 0.62 | 0.69 | 1.09 | VLF252012MT-4R7M |
| 6.8 | $\pm 20\%$ | 1.0 | 0.34 | 0.28 | 0.504 | 0.56 | 0.89 | VLF252012MT-6R8M |
| 10.0 | $\pm 20\%$ | 1.0 | 0.41 | 0.34 | 0.41 | 0.46 | 0.78 | VLF252012MT-100M |
| 15.0 | $\pm 20\%$ | 1.0 | 0.68 | 0.57 | 0.33 | 0.37 | 0.63 | VLF252012MT-150M |
| 22.0 | $\pm 20\%$ | 1.0 | 1.00 | 0.83 | 0.28 | 0.31 | 0.46 | VLF252012MT-220M |

* Rated current: smaller value of either I_{dc1} or I_{dc2}.

I_{dc1}: When based on the inductance change rate (30% below the nominal value)

I_{dc2}: When based on the temperature increase (Temperature increase of 40°C by self heating)

○ Measurement equipment

| Measurement item | Product No. | Manufacturer |
|--------------------------------|---------------------|----------------------|
| L | 4294A | Agilent Technologies |
| DC resistance | VP-2941A | Panasonic |
| Rated current I _{dc1} | 4285A+42841A+42842C | Agilent Technologies |

* Equivalent measurement equipment may be used.

VLF-M series VLF252012MT Type

ELECTRICAL CHARACTERISTICS

FREQUENCY CHARACTERISTICS GRAPH



○ Measurement equipment

| Product No. | Manufacturer |
|-------------|----------------------|
| 4294A | Agilent Technologies |

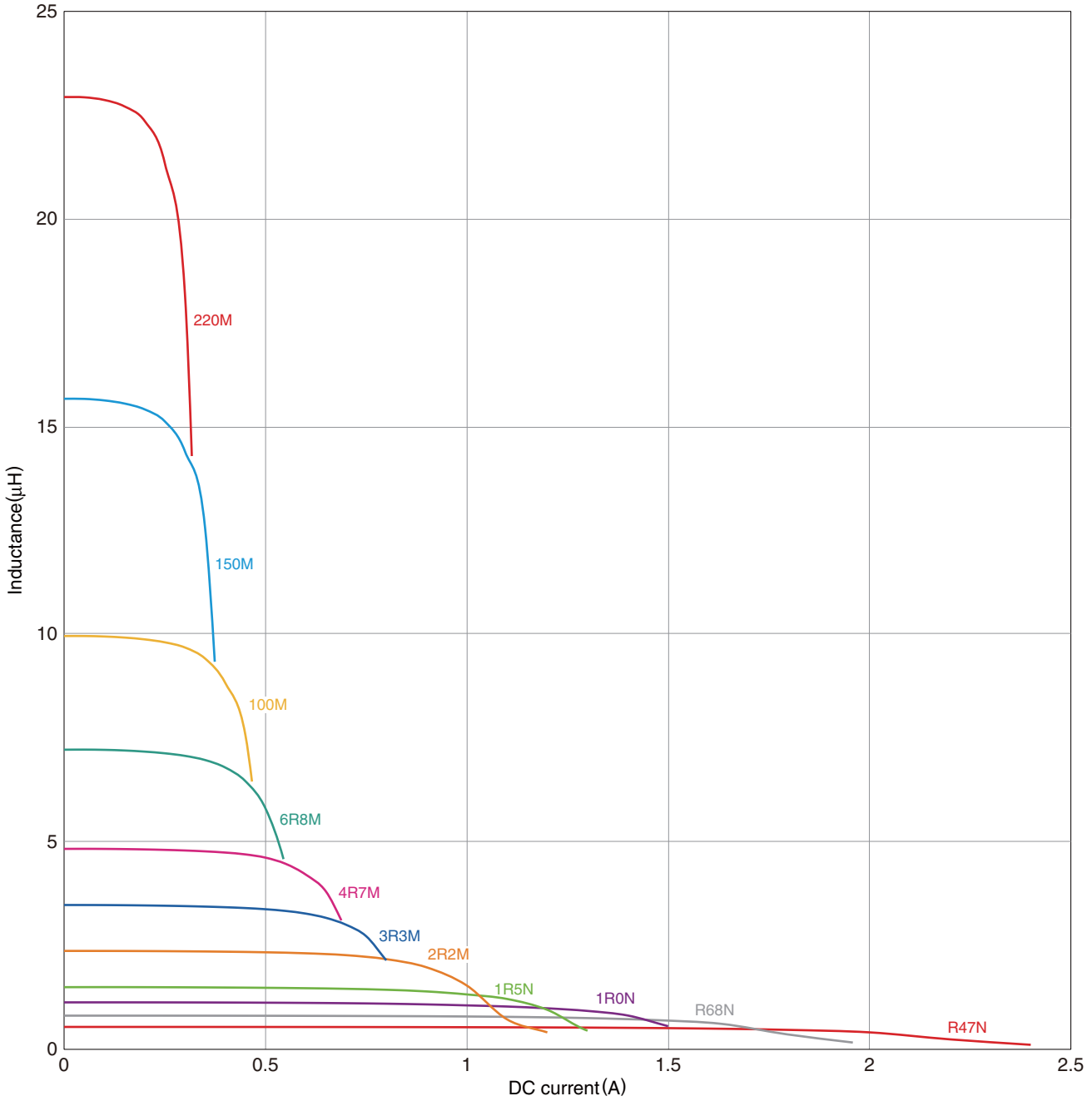
* Equivalent measurement equipment may be used.

• All specifications are subject to change without notice.

VLF-M series VLF252012MT Type

ELECTRICAL CHARACTERISTICS

INDUCTANCE VS. DC BIAS CHARACTERISTICS GRAPH



○ Measurement equipment

| Product No. | Manufacturer |
|---------------------|----------------------|
| 4285A+42841A+42842C | Agilent Technologies |

* Equivalent measurement equipment may be used.

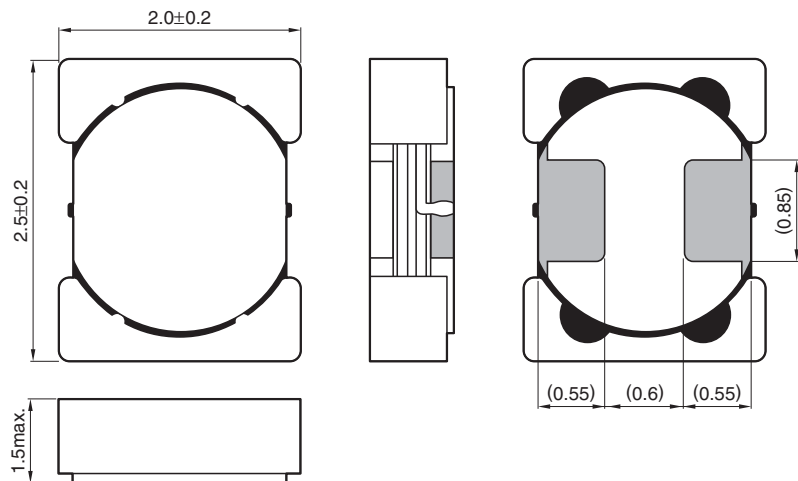
• All specifications are subject to change without notice.

VLF-M series

VLF252015MT Type



SHAPE & DIMENSIONS



Dimensions in mm

RECOMMENDED LAND PATTERN



Dimensions in mm

• All specifications are subject to change without notice.

VLF-M series **VLF252015MT Type**

■ ELECTRICAL CHARACTERISTICS

□ CHARACTERISTICS SPECIFICATION TABLE

| L (μ H) | Tolerance | Measuring frequency (MHz) | DC resistance (Ω) | | Rated current(A)* | | | Part No. |
|-----------------|------------|---------------------------------|-------------------------------|-------|-------------------|--------------|------|------------------|
| | | | max. | typ. | max. Idc1 | typ. Idc1 | Idc2 | |
| 0.47 | $\pm 30\%$ | 1.0 | 0.016 | 0.013 | 1.85 | 2.06 | 4.03 | VLF252015MT-R47N |
| 0.68 | $\pm 30\%$ | 1.0 | 0.023 | 0.019 | 1.54 | 1.71 | 3.38 | VLF252015MT-R68N |
| 1.0 | $\pm 30\%$ | 1.0 | 0.030 | 0.025 | 1.34 | 1.49 | 3.13 | VLF252015MT-1R0N |
| 1.5 | $\pm 30\%$ | 1.0 | 0.039 | 0.033 | 1.02 | 1.13 | 2.58 | VLF252015MT-1R5N |
| 2.2 | $\pm 20\%$ | 1.0 | 0.07 | 0.06 | 0.87 | 0.97 | 2.10 | VLF252015MT-2R2M |
| 3.3 | $\pm 20\%$ | 1.0 | 0.10 | 0.080 | 0.71 | 0.79 | 1.70 | VLF252015MT-3R3M |
| 4.7 | $\pm 20\%$ | 1.0 | 0.12 | 0.10 | 0.59 | 0.66 | 1.45 | VLF252015MT-4R7M |
| 6.8 | $\pm 20\%$ | 1.0 | 0.19 | 0.16 | 0.52 | 0.57 | 1.14 | VLF252015MT-6R8M |
| 10.0 | $\pm 20\%$ | 1.0 | 0.28 | 0.24 | 0.42 | 0.47 | 0.94 | VLF252015MT-100M |
| 15.0 | $\pm 20\%$ | 1.0 | 0.45 | 0.37 | 0.34 | 0.37 | 0.77 | VLF252015MT-150M |
| 22.0 | $\pm 20\%$ | 1.0 | 0.73 | 0.61 | 0.28 | 0.31 | 0.58 | VLF252015MT-220M |

* Rated current: smaller value of either Idc1 or Idc2.

Idc1: When based on the inductance change rate (30% below the nominal value)

Idc2: When based on the temperature increase (Temperature increase of 40°C by self heating)

○ Measurement equipment

| Measurement item | Product No. | Manufacturer |
|--------------------|---------------------|----------------------|
| L | 4294A | Agilent Technologies |
| DC resistance | VP-2941A | Panasonic |
| Rated current Idc1 | 4285A+42841A+42842C | Agilent Technologies |

* Equivalent measurement equipment may be used.

VLF-M series VLF252015MT Type

ELECTRICAL CHARACTERISTICS

FREQUENCY CHARACTERISTICS GRAPH



○ Measurement equipment

| Product No. | Manufacturer |
|-------------|----------------------|
| 4294A | Agilent Technologies |

* Equivalent measurement equipment may be used.

• All specifications are subject to change without notice.

VLF-M series VLF252015MT Type

ELECTRICAL CHARACTERISTICS

INDUCTANCE VS. DC BIAS CHARACTERISTICS GRAPH



○ Measurement equipment

| Product No. | Manufacturer |
|---------------------|----------------------|
| 4285A+42841A+42842C | Agilent Technologies |

* Equivalent measurement equipment may be used.

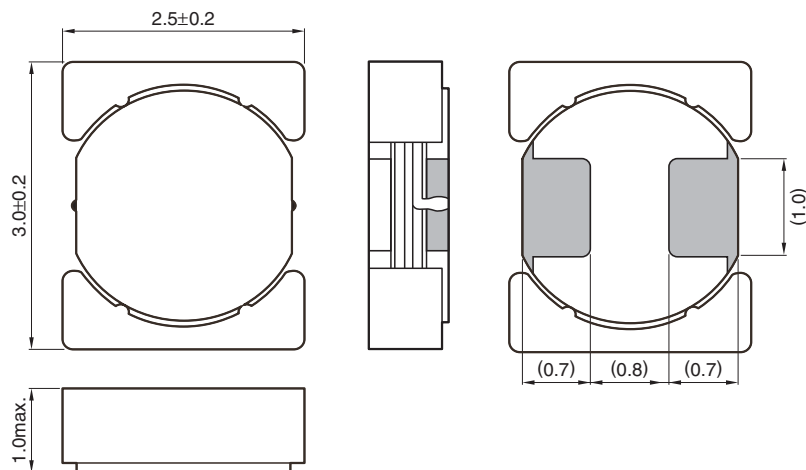
• All specifications are subject to change without notice.

VLF-M series

VLF302510MT Type

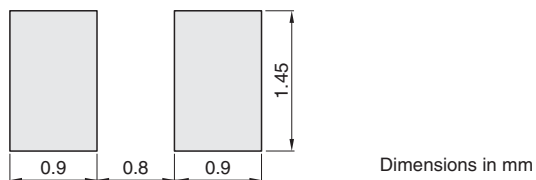


SHAPE & DIMENSIONS



Dimensions in mm

RECOMMENDED LAND PATTERN



Dimensions in mm

• All specifications are subject to change without notice.

VLF-M series VLF302510MT Type

■ ELECTRICAL CHARACTERISTICS

□ CHARACTERISTICS SPECIFICATION TABLE

| L (μ H) | Tolerance | Measuring frequency (MHz) | DC resistance (Ω) | | Rated current(A)* | | | Part No. |
|-----------------|------------|---------------------------------|-------------------------------|-------|-------------------|--------------|------|------------------|
| | | | max. | typ. | max. Idc1 | typ. Idc1 | Idc2 | |
| 1.0 | $\pm 30\%$ | 1.0 | 0.040 | 0.033 | 2.00 | 2.22 | 2.13 | VLF302510MT-1R0N |
| 1.5 | $\pm 30\%$ | 1.0 | 0.066 | 0.055 | 1.49 | 1.65 | 1.65 | VLF302510MT-1R5N |
| 2.2 | $\pm 20\%$ | 1.0 | 0.084 | 0.070 | 1.23 | 1.37 | 1.50 | VLF302510MT-2R2M |
| 3.3 | $\pm 20\%$ | 1.0 | 0.126 | 0.105 | 1.09 | 1.21 | 1.20 | VLF302510MT-3R3M |
| 4.7 | $\pm 20\%$ | 1.0 | 0.168 | 0.140 | 0.86 | 0.95 | 1.08 | VLF302510MT-4R7M |
| 6.8 | $\pm 20\%$ | 1.0 | 0.258 | 0.215 | 0.73 | 0.81 | 0.84 | VLF302510MT-6R8M |
| 10 | $\pm 20\%$ | 1.0 | 0.372 | 0.310 | 0.59 | 0.65 | 0.73 | VLF302510MT-100M |
| 15 | $\pm 20\%$ | 1.0 | 0.600 | 0.500 | 0.47 | 0.52 | 0.55 | VLF302510MT-150M |
| 22 | $\pm 20\%$ | 1.0 | 0.876 | 0.730 | 0.38 | 0.42 | 0.45 | VLF302510MT-220M |

* Rated current: smaller value of either Idc1 or Idc2.

Idc1: When based on the inductance change rate (30% below the nominal value)

Idc2: When based on the temperature increase (Temperature increase of 40°C by self heating)

○ Measurement equipment

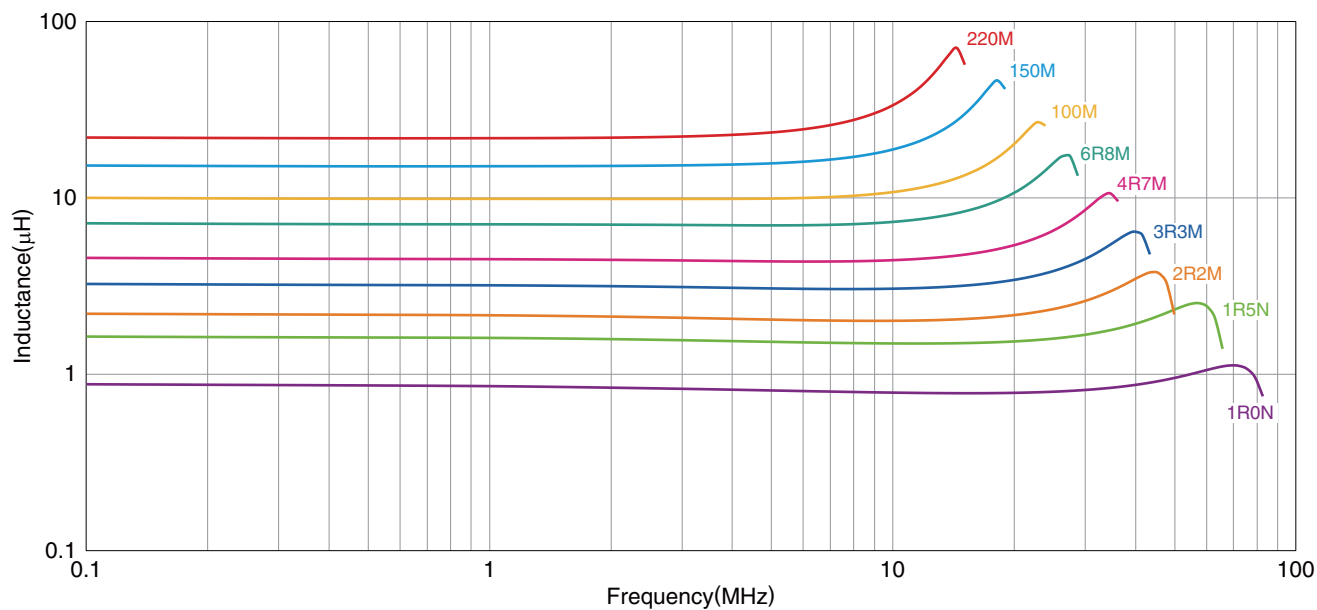
| Measurement item | Product No. | Manufacturer |
|--------------------|---------------------|----------------------|
| L | 4294A | Agilent Technologies |
| DC resistance | VP-2941A | Panasonic |
| Rated current Idc1 | 4285A+42841A+42842C | Agilent Technologies |

* Equivalent measurement equipment may be used.

VLF-M series VLF302510MT Type

ELECTRICAL CHARACTERISTICS

L FREQUENCY CHARACTERISTICS GRAPH



○ Measurement equipment

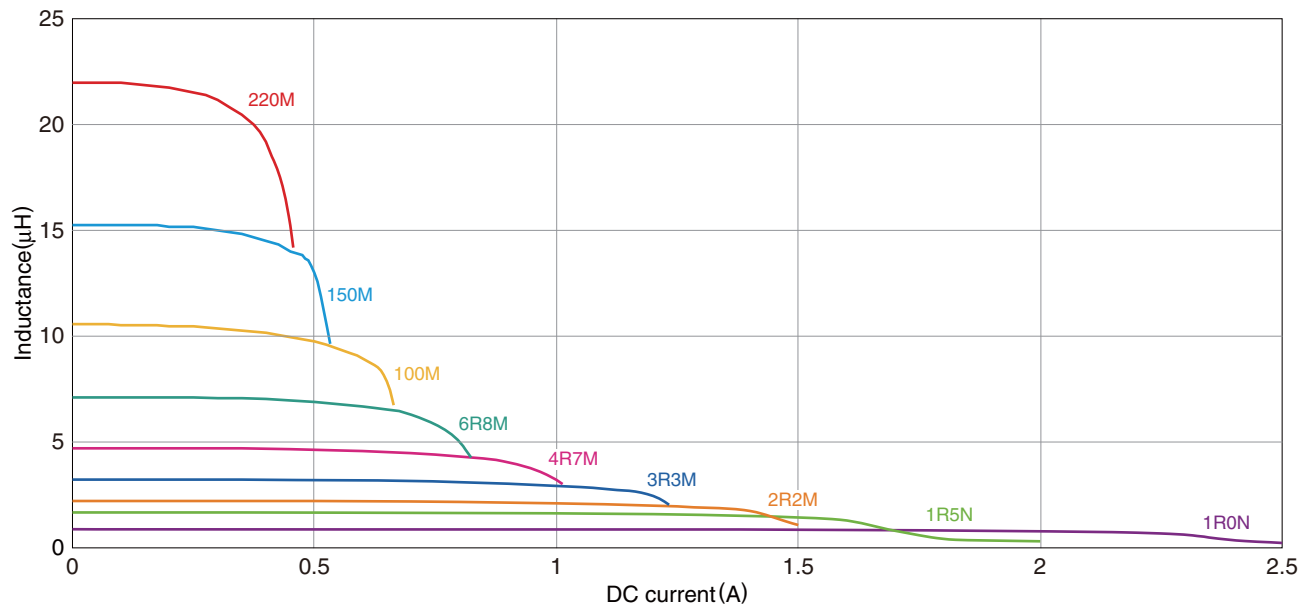
| Product No. | Manufacturer |
|-------------|----------------------|
| 4294A | Agilent Technologies |

* Equivalent measurement equipment may be used.

VLF-M series VLF302510MT Type

ELECTRICAL CHARACTERISTICS

INDUCTANCE VS. DC BIAS CHARACTERISTICS GRAPH



○ Measurement equipment

| Product No. | Manufacturer |
|---------------------|----------------------|
| 4285A+42841A+42842C | Agilent Technologies |

* Equivalent measurement equipment may be used.

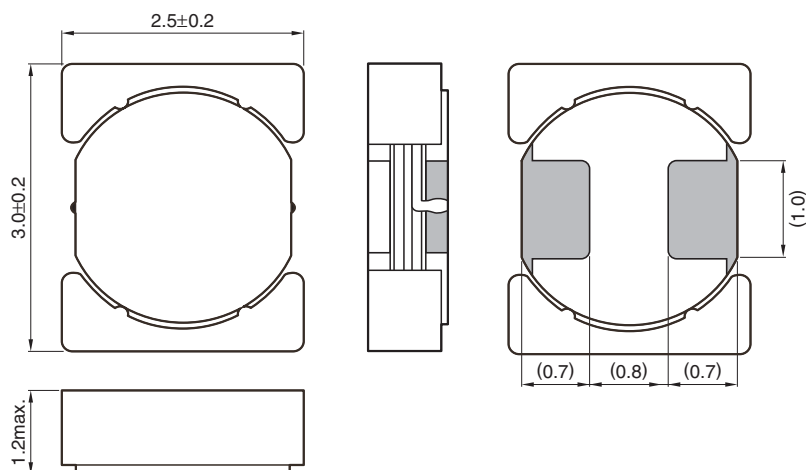
• All specifications are subject to change without notice.

VLF-M series

VLF302512MT Type

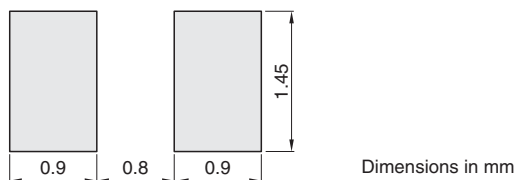


SHAPE & DIMENSIONS



Dimensions in mm

RECOMMENDED LAND PATTERN



Dimensions in mm

• All specifications are subject to change without notice.

VLF-M series VLF302512MT Type

■ ELECTRICAL CHARACTERISTICS

□ CHARACTERISTICS SPECIFICATION TABLE

| L (μ H) | tolerance | Measuring frequency (MHz) | DC resistance (Ω) | | Rated current(A)* | | | Part No. |
|-----------------|------------|---------------------------------|-------------------------------|-------|-------------------|--------------|------|------------------|
| | | | max. | typ. | max. Idc1 | typ. Idc1 | Idc2 | |
| 1.0 | $\pm 30\%$ | 1.0 | 0.037 | 0.031 | 1.91 | 2.12 | 2.77 | VLF302512MT-1R0N |
| 1.5 | $\pm 30\%$ | 1.0 | 0.044 | 0.037 | 1.67 | 1.85 | 2.54 | VLF302512MT-1R5N |
| 2.2 | $\pm 20\%$ | 1.0 | 0.066 | 0.055 | 1.26 | 1.40 | 1.95 | VLF302512MT-2R2M |
| 3.3 | $\pm 20\%$ | 1.0 | 0.108 | 0.090 | 1.08 | 1.20 | 1.63 | VLF302512MT-3R3M |
| 4.7 | $\pm 20\%$ | 1.0 | 0.136 | 0.113 | 0.97 | 1.08 | 1.42 | VLF302512MT-4R7M |
| 6.8 | $\pm 20\%$ | 1.0 | 0.194 | 0.162 | 0.78 | 0.84 | 1.21 | VLF302512MT-6R8M |
| 10 | $\pm 20\%$ | 1.0 | 0.299 | 0.249 | 0.62 | 0.69 | 0.95 | VLF302512MT-100M |
| 15 | $\pm 20\%$ | 1.0 | 0.448 | 0.373 | 0.51 | 0.57 | 0.80 | VLF302512MT-150M |
| 22 | $\pm 20\%$ | 1.0 | 0.700 | 0.583 | 0.43 | 0.47 | 0.64 | VLF302512MT-220M |

* Rated current: smaller value of either Idc1 or Idc2.

Idc1: When based on the inductance change rate (30% below the nominal value)

Idc2: When based on the temperature increase (Temperature increase of 40°C by self heating)

○ Measurement equipment

| Measurement item | Product No. | Manufacturer |
|--------------------|---------------------|----------------------|
| L | 4294A | Agilent Technologies |
| DC resistance | VP-2941A | Panasonic |
| Rated current Idc1 | 4285A+42841A+42842C | Agilent Technologies |

* Equivalent measurement equipment may be used.

VLF-M series VLF302512MT Type

ELECTRICAL CHARACTERISTICS

L FREQUENCY CHARACTERISTICS GRAPH



○ Measurement equipment

| Product No. | Manufacturer |
|-------------|----------------------|
| 4294A | Agilent Technologies |

* Equivalent measurement equipment may be used.

VLF-M series VLF302512MT Type

ELECTRICAL CHARACTERISTICS

INDUCTANCE VS. DC BIAS CHARACTERISTICS GRAPH



○ Measurement equipment

| Product No. | Manufacturer |
|---------------------|----------------------|
| 4285A+42841A+42842C | Agilent Technologies |

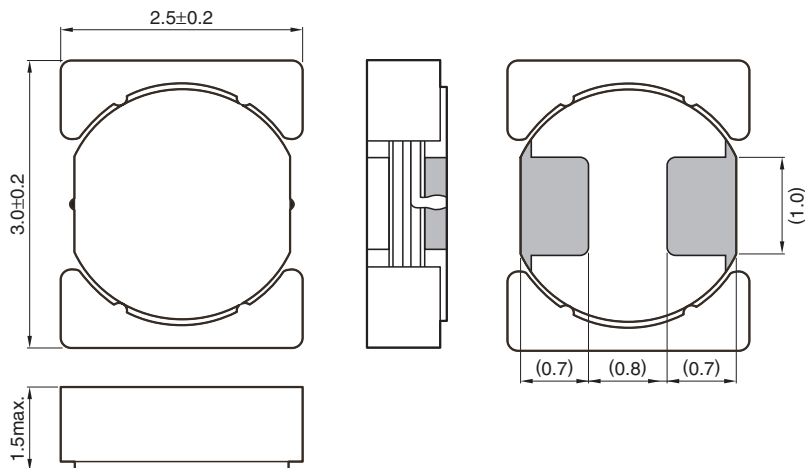
* Equivalent measurement equipment may be used.

VLF-M series

VLF302515MT Type

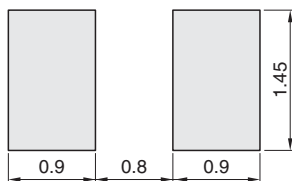


SHAPE & DIMENSIONS



Dimensions in mm

RECOMMENDED LAND PATTERN



Dimensions in mm

• All specifications are subject to change without notice.

VLF-M series VLF302515MT Type

■ ELECTRICAL CHARACTERISTICS

□ CHARACTERISTICS SPECIFICATION TABLE

| L (μ H) | Tolerance | Measuring frequency (MHz) | DC resistance (Ω) | | Rated current(A)* | | | Part No. |
|-----------------|------------|---------------------------------|-------------------------------|-------|-------------------|------|------|------------------|
| | | | max. | typ. | Idc1 | Idc1 | Idc2 | |
| 0.47 | $\pm 30\%$ | 1.0 | 0.020 | 0.017 | 2.88 | 3.18 | 4.00 | VLF302515MT-R47N |
| 1.0 | $\pm 30\%$ | 1.0 | 0.030 | 0.025 | 1.94 | 2.15 | 3.31 | VLF302515MT-1R0N |
| 1.5 | $\pm 30\%$ | 1.0 | 0.038 | 0.032 | 1.66 | 1.84 | 3.14 | VLF302515MT-1R5N |
| 2.2 | $\pm 20\%$ | 1.0 | 0.050 | 0.042 | 1.41 | 1.57 | 2.71 | VLF302515MT-2R2M |
| 3.3 | $\pm 20\%$ | 1.0 | 0.072 | 0.060 | 1.11 | 1.23 | 2.25 | VLF302515MT-3R3M |
| 4.7 | $\pm 20\%$ | 1.0 | 0.090 | 0.075 | 0.93 | 1.03 | 1.95 | VLF302515MT-4R7M |
| 6.8 | $\pm 20\%$ | 1.0 | 0.16 | 0.13 | 0.77 | 0.86 | 1.45 | VLF302515MT-6R8M |
| 10.0 | $\pm 20\%$ | 1.0 | 0.18 | 0.15 | 0.64 | 0.71 | 1.37 | VLF302515MT-100M |
| 15.0 | $\pm 20\%$ | 1.0 | 0.33 | 0.28 | 0.50 | 0.56 | 0.99 | VLF302515MT-150M |
| 22.0 | $\pm 20\%$ | 1.0 | 0.49 | 0.41 | 0.41 | 0.46 | 0.75 | VLF302515MT-220M |

* Rated current: smaller value of either Idc1 or Idc2.

Idc1: When based on the inductance change rate (30% below the nominal value)

Idc2: When based on the temperature increase (Temperature increase of 40°C by self heating)

○ Measurement equipment

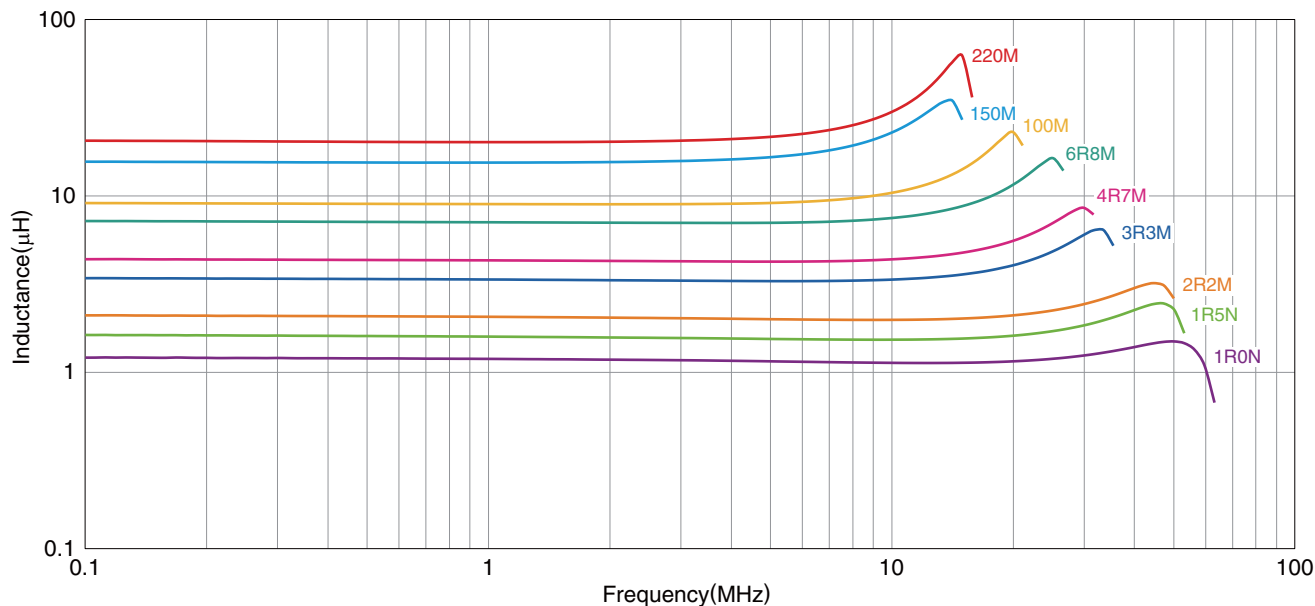
| Measurement item | Product No. | Manufacturer |
|--------------------|---------------------|----------------------|
| L | 4294A | Agilent Technologies |
| DC resistance | VP-2941A | Panasonic |
| Rated current Idc1 | 4285A+42841A+42842C | Agilent Technologies |

* Equivalent measurement equipment may be used.

VLF-M series VLF302515MT Type

ELECTRICAL CHARACTERISTICS

L FREQUENCY CHARACTERISTICS GRAPH



○ Measurement equipment

| Product No. | Manufacturer |
|-------------|----------------------|
| 4294A | Agilent Technologies |

* Equivalent measurement equipment may be used.

VLF-M series VLF302515MT Type

ELECTRICAL CHARACTERISTICS

INDUCTANCE VS. DC BIAS CHARACTERISTICS GRAPH



○ Measurement equipment

| Product No. | Manufacturer |
|---------------------|----------------------|
| 4285A+42841A+42842C | Agilent Technologies |

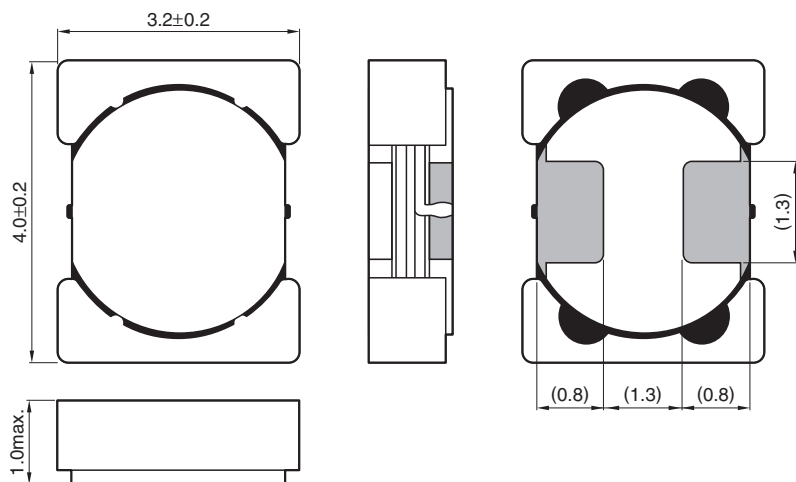
* Equivalent measurement equipment may be used.

VLF-M series

VLF403210MT Type

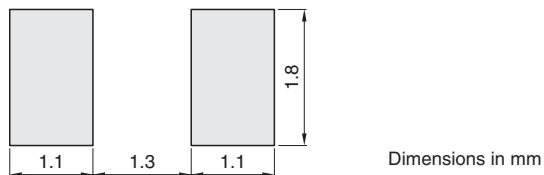


SHAPE & DIMENSIONS



Dimensions in mm

RECOMMENDED LAND PATTERN



Dimensions in mm

• All specifications are subject to change without notice.

VLF-M series VLF403210MT Type

■ ELECTRICAL CHARACTERISTICS

□ CHARACTERISTICS SPECIFICATION TABLE

| L (μ H) | tolerance | Measuring frequency (MHz) | DC resistance (Ω) | | Rated current(A)* | | | Part No. |
|-----------------|------------|---------------------------------|-------------------------------|-------|-------------------|------|------|------------------|
| | | | max. | typ. | ldc1 | ldc1 | ldc2 | |
| 1.0 | $\pm 30\%$ | 1.0 | 0.032 | 0.026 | 2.23 | 2.48 | 3.44 | VLF403210MT-1R0N |
| 1.5 | $\pm 30\%$ | 1.0 | 0.043 | 0.036 | 1.85 | 2.06 | 2.96 | VLF403210MT-1R5N |
| 2.2 | $\pm 20\%$ | 1.0 | 0.066 | 0.055 | 1.59 | 1.77 | 2.33 | VLF403210MT-2R2M |
| 3.3 | $\pm 20\%$ | 1.0 | 0.098 | 0.082 | 1.19 | 1.32 | 1.95 | VLF403210MT-3R3M |
| 4.7 | $\pm 20\%$ | 1.0 | 0.14 | 0.12 | 1.09 | 1.21 | 1.61 | VLF403210MT-4R7M |
| 6.8 | $\pm 20\%$ | 1.0 | 0.22 | 0.18 | 0.84 | 0.93 | 1.24 | VLF403210MT-6R8M |
| 10.0 | $\pm 20\%$ | 1.0 | 0.31 | 0.26 | 0.70 | 0.78 | 1.04 | VLF403210MT-100M |
| 15.0 | $\pm 20\%$ | 1.0 | 0.49 | 0.40 | 0.59 | 0.66 | 0.83 | VLF403210MT-150M |
| 22.0 | $\pm 20\%$ | 1.0 | 0.72 | 0.60 | 0.46 | 0.51 | 0.68 | VLF403210MT-220M |

* Rated current: smaller value of either ldc1 or ldc2.

ldc1: When based on the inductance change rate (30% below the nominal value)

ldc2: When based on the temperature increase (Temperature increase of 40°C by self heating)

○ Measurement equipment

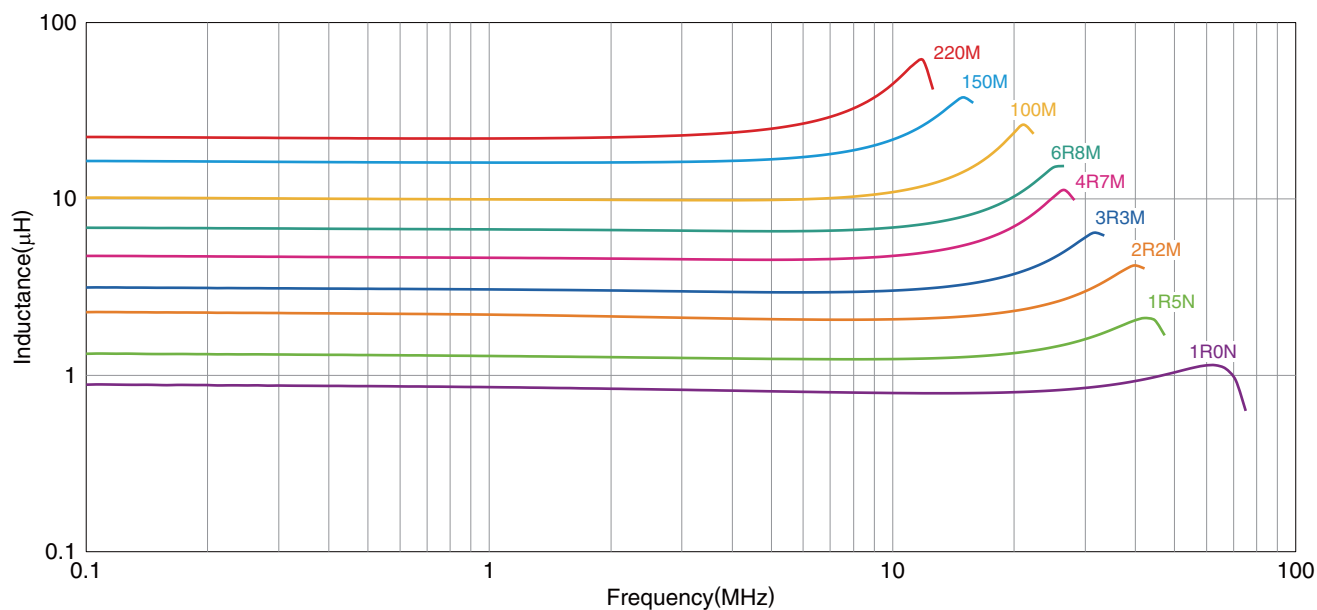
| Measurement item | Product No. | Manufacturer |
|--------------------|---------------------|----------------------|
| L | 4294A | Agilent Technologies |
| DC resistance | VP-2941A | Panasonic |
| Rated current ldc1 | 4285A+42841A+42842C | Agilent Technologies |

* Equivalent measurement equipment may be used.

VLF-M series VLF403210MT Type

ELECTRICAL CHARACTERISTICS

L FREQUENCY CHARACTERISTICS GRAPH



○ Measurement equipment

| Product No. | Manufacturer |
|-------------|----------------------|
| 4294A | Agilent Technologies |

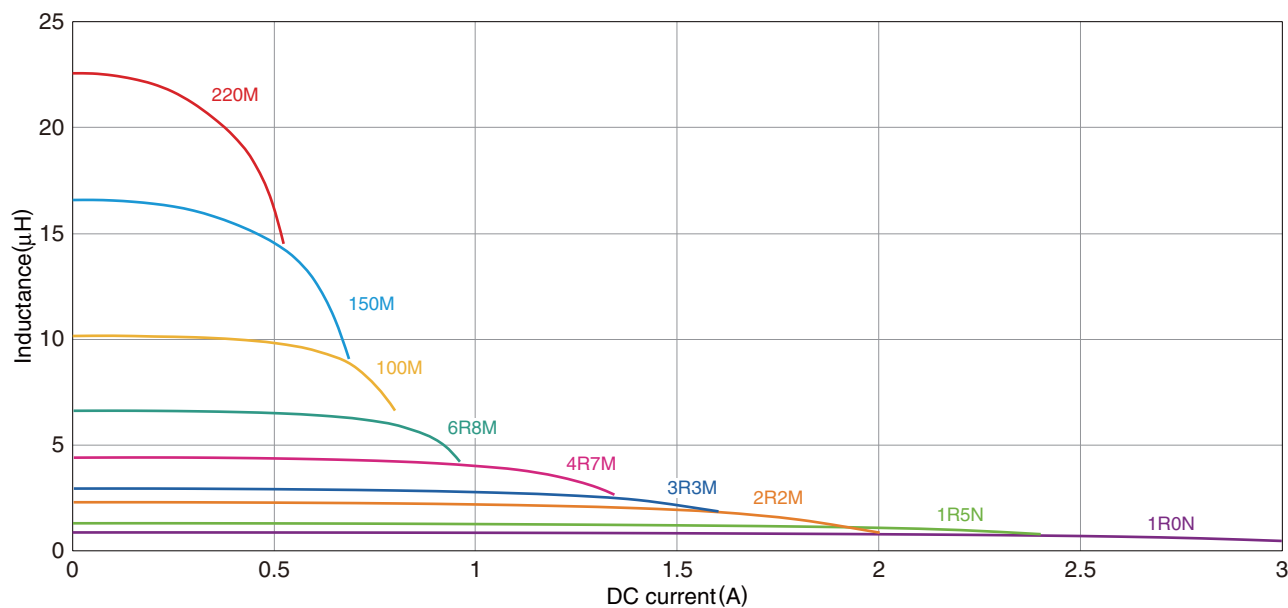
* Equivalent measurement equipment may be used.

• All specifications are subject to change without notice.

VLF-M series VLF403210MT Type

ELECTRICAL CHARACTERISTICS

INDUCTANCE VS. DC BIAS CHARACTERISTICS GRAPH



○ Measurement equipment

| Product No. | Manufacturer |
|---------------------|----------------------|
| 4285A+42841A+42842C | Agilent Technologies |

* Equivalent measurement equipment may be used.

VLF-M series

VLF403212MT Type



■ SHAPE & DIMENSIONS



Dimensions in mm

■ RECOMMENDED LAND PATTERN



Dimensions in mm

• All specifications are subject to change without notice.

VLF-M series VLF403212MT Type

■ ELECTRICAL CHARACTERISTICS

□ CHARACTERISTICS SPECIFICATION TABLE

| L (μH) | tolerance | Measuring frequency (MHz) | DC resistance (Ω) | | Rated current(A)* | | | Part No. |
|-----------|-----------|---------------------------------|----------------------|-------|----------------------|------|------|------------------|
| | | | max. | typ. | Idc1 | Idc1 | Idc2 | |
| 1.0 | ±30% | 1.0 | 0.031 | 0.026 | 3.00 | 3.33 | 3.62 | VLF403212MT-1R0N |
| 1.5 | ±30% | 1.0 | 0.050 | 0.042 | 2.41 | 2.68 | 2.98 | VLF403212MT-1R5N |
| 2.2 | ±20% | 1.0 | 0.065 | 0.054 | 2.05 | 2.28 | 2.48 | VLF403212MT-2R2M |
| 3.3 | ±20% | 1.0 | 0.091 | 0.076 | 1.65 | 1.83 | 1.91 | VLF403212MT-3R3M |
| 4.7 | ±20% | 1.0 | 0.12 | 0.096 | 1.40 | 1.56 | 1.85 | VLF403212MT-4R7M |
| 6.8 | ±20% | 1.0 | 0.18 | 0.15 | 1.09 | 1.22 | 1.33 | VLF403212MT-6R8M |
| 10.0 | ±20% | 1.0 | 0.28 | 0.23 | 0.90 | 1.00 | 1.07 | VLF403212MT-100M |
| 15.0 | ±20% | 1.0 | 0.42 | 0.35 | 0.74 | 0.82 | 0.87 | VLF403212MT-150M |
| 22.0 | ±20% | 1.0 | 0.71 | 0.59 | 0.54 | 0.60 | 0.67 | VLF403212MT-220M |

* Rated current: smaller value of either Idc1 or Idc2.

Idc1: When based on the inductance change rate (30% below the nominal value)

Idc2: When based on the temperature increase (Temperature increase of 40°C by self heating)

○ Measurement equipment

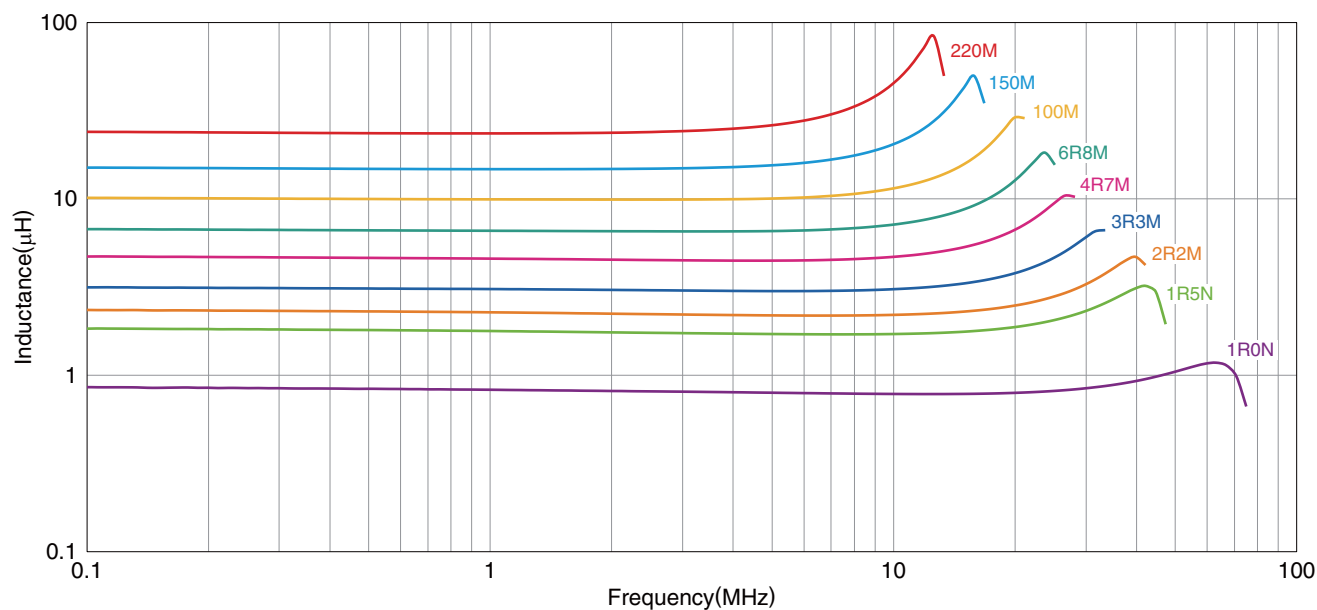
| Measurement item | Product No. | Manufacturer |
|--------------------|---------------------|----------------------|
| L | 4294A | Agilent Technologies |
| DC resistance | VP-2941A | Panasonic |
| Rated current Idc1 | 4285A+42841A+42842C | Agilent Technologies |

* Equivalent measurement equipment may be used.

VLF-M series VLF403212MT Type

ELECTRICAL CHARACTERISTICS

FREQUENCY CHARACTERISTICS GRAPH



○ Measurement equipment

| Product No. | Manufacturer |
|-------------|----------------------|
| 4294A | Agilent Technologies |

* Equivalent measurement equipment may be used.

VLF-M series VLF403212MT Type

ELECTRICAL CHARACTERISTICS

INDUCTANCE VS. DC BIAS CHARACTERISTICS GRAPH



○ Measurement equipment

| Product No. | Manufacturer |
|---------------------|----------------------|
| 4285A+42841A+42842C | Agilent Technologies |

* Equivalent measurement equipment may be used.

• All specifications are subject to change without notice.

VLF-M series

VLF403215MT Type



SHAPE & DIMENSIONS



Dimensions in mm

RECOMMENDED LAND PATTERN



Dimensions in mm

• All specifications are subject to change without notice.

VLF-M series VLF403215MT Type

■ ELECTRICAL CHARACTERISTICS

□ CHARACTERISTICS SPECIFICATION TABLE

| L (μ H) | Tolerance | Measuring frequency (MHz) | DC resistance (Ω) | | Rated current(A)* | | | Part No. |
|-----------------|------------|---------------------------------|-------------------------------|-------|-------------------|--------------|------|------------------|
| | | | max. | typ. | max. Idc1 | typ. Idc1 | Idc2 | |
| 1.0 | $\pm 30\%$ | 1.0 | 0.031 | 0.026 | 3.01 | 3.34 | 3.56 | VLF403215MT-1R0N |
| 1.5 | $\pm 30\%$ | 1.0 | 0.036 | 0.030 | 2.46 | 2.73 | 3.38 | VLF403215MT-1R5N |
| 2.2 | $\pm 20\%$ | 1.0 | 0.043 | 0.036 | 2.03 | 2.25 | 3.14 | VLF403215MT-2R2M |
| 3.3 | $\pm 20\%$ | 1.0 | 0.062 | 0.051 | 1.65 | 1.83 | 2.65 | VLF403215MT-3R3M |
| 4.7 | $\pm 20\%$ | 1.0 | 0.087 | 0.073 | 1.39 | 1.54 | 2.13 | VLF403215MT-4R7M |
| 6.8 | $\pm 20\%$ | 1.0 | 0.13 | 0.11 | 1.14 | 1.27 | 1.68 | VLF403215MT-6R8M |
| 10.0 | $\pm 20\%$ | 1.0 | 0.18 | 0.15 | 1.00 | 1.09 | 1.44 | VLF403215MT-100M |
| 15.0 | $\pm 20\%$ | 1.0 | 0.26 | 0.22 | 0.78 | 0.87 | 1.19 | VLF403215MT-150M |
| 22.0 | $\pm 20\%$ | 1.0 | 0.38 | 0.32 | 0.65 | 0.72 | 0.95 | VLF403215MT-220M |

* Rated current: smaller value of either Idc1 or Idc2.

Idc1: When based on the inductance change rate (30% below the nominal value)

Idc2: When based on the temperature increase (Temperature increase of 40°C by self heating)

○ Measurement equipment

| Measurement item | Product No. | Manufacturer |
|--------------------|---------------------|----------------------|
| L | 4294A | Agilent Technologies |
| DC resistance | VP-2941A | Panasonic |
| Rated current Idc1 | 4285A+42841A+42842C | Agilent Technologies |

* Equivalent measurement equipment may be used.

VLF-M series VLF403215MT Type

ELECTRICAL CHARACTERISTICS

L FREQUENCY CHARACTERISTICS GRAPH



○ Measurement equipment

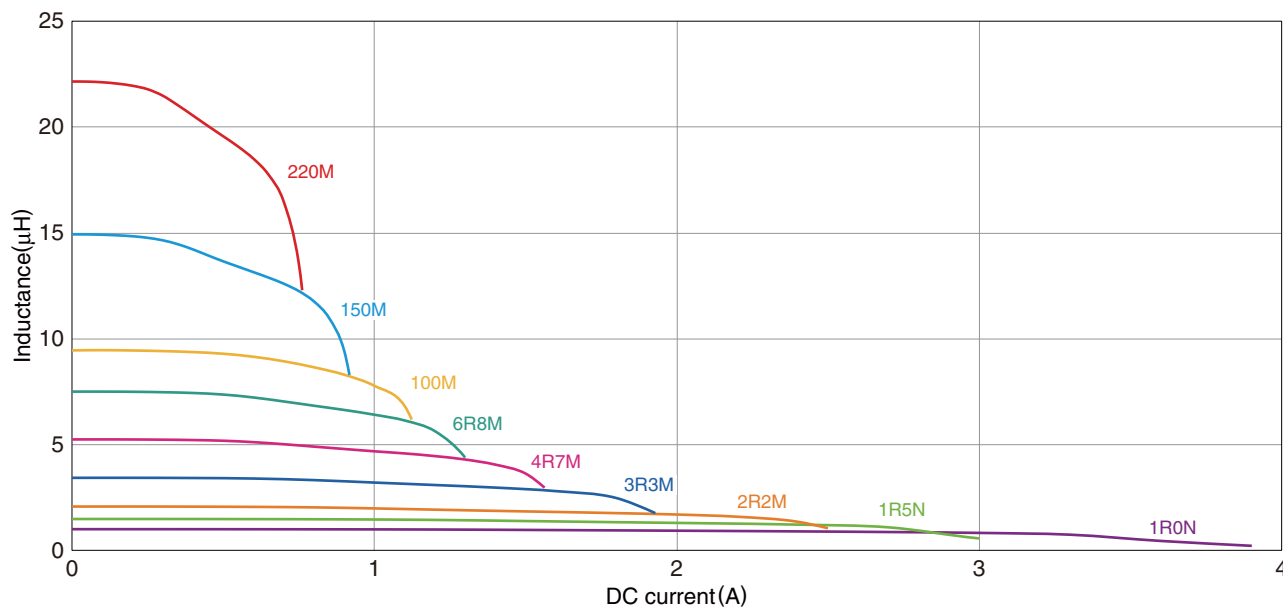
| Product No. | Manufacturer |
|-------------|----------------------|
| 4294A | Agilent Technologies |

* Equivalent measurement equipment may be used.

VLF-M series VLF403215MT Type

ELECTRICAL CHARACTERISTICS

INDUCTANCE VS. DC BIAS CHARACTERISTICS GRAPH



○ Measurement equipment

| Product No. | Manufacturer |
|---------------------|----------------------|
| 4285A+42841A+42842C | Agilent Technologies |

* Equivalent measurement equipment may be used.

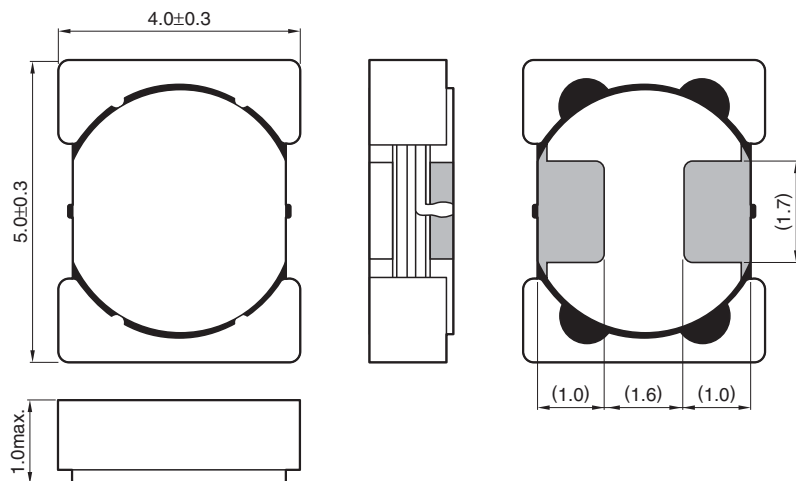
• All specifications are subject to change without notice.

VLF-M series

VLF504010MT Type

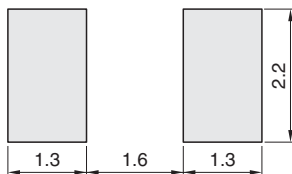


SHAPE & DIMENSIONS



Dimensions in mm

RECOMMENDED LAND PATTERN



Dimensions in mm

• All specifications are subject to change without notice.

VLF-M series VLF504010MT Type

■ ELECTRICAL CHARACTERISTICS

□ CHARACTERISTICS SPECIFICATION TABLE

| L (μ H) | tolerance | Measuring frequency (MHz) | DC resistance (Ω) | | Rated current(A)* | | | Part No. |
|-----------------|------------|---------------------------------|-------------------------------|-------|-------------------|------|------|------------------|
| | | | max. | typ. | Idc1 | Idc1 | Idc2 | |
| 0.68 | $\pm 30\%$ | 1.0 | 0.030 | 0.025 | 3.40 | 3.78 | 3.71 | VLF504010MT-R68N |
| 1.0 | $\pm 30\%$ | 1.0 | 0.037 | 0.031 | 2.66 | 2.95 | 3.08 | VLF504010MT-1R0N |
| 1.5 | $\pm 30\%$ | 1.0 | 0.044 | 0.037 | 2.30 | 2.56 | 2.86 | VLF504010MT-1R5N |
| 2.2 | $\pm 20\%$ | 1.0 | 0.054 | 0.045 | 1.92 | 2.14 | 2.65 | VLF504010MT-2R2M |
| 3.3 | $\pm 20\%$ | 1.0 | 0.091 | 0.076 | 1.58 | 1.75 | 2.10 | VLF504010MT-3R3M |
| 4.7 | $\pm 20\%$ | 1.0 | 0.12 | 0.10 | 1.32 | 1.47 | 1.77 | VLF504010MT-4R7M |
| 6.8 | $\pm 20\%$ | 1.0 | 0.19 | 0.16 | 1.09 | 1.21 | 1.40 | VLF504010MT-6R8M |
| 10.0 | $\pm 20\%$ | 1.0 | 0.25 | 0.21 | 0.90 | 1.00 | 1.21 | VLF504010MT-100M |
| 15.0 | $\pm 20\%$ | 1.0 | 0.40 | 0.33 | 0.74 | 0.83 | 0.98 | VLF504010MT-150M |
| 22.0 | $\pm 20\%$ | 1.0 | 0.60 | 0.50 | 0.61 | 0.68 | 0.78 | VLF504010MT-220M |

* Rated current: smaller value of either Idc1 or Idc2.

Idc1: When based on the inductance change rate (30% below the nominal value)

Idc2: When based on the temperature increase (Temperature increase of 40°C by self heating)

○ Measurement equipment

| Measurement item | Product No. | Manufacturer |
|--------------------|---------------------|----------------------|
| L | 4294A | Agilent Technologies |
| DC resistance | VP-2941A | Panasonic |
| Rated current Idc1 | 4285A+42841A+42842C | Agilent Technologies |

* Equivalent measurement equipment may be used.

VLF-M series VLF504010MT Type

ELECTRICAL CHARACTERISTICS

L FREQUENCY CHARACTERISTICS GRAPH



○ Measurement equipment

| Product No. | Manufacturer |
|-------------|----------------------|
| 4294A | Agilent Technologies |

* Equivalent measurement equipment may be used.

• All specifications are subject to change without notice.

VLF-M series VLF504010MT Type

ELECTRICAL CHARACTERISTICS

INDUCTANCE VS. DC BIAS CHARACTERISTICS GRAPH



○ Measurement equipment

| Product No. | Manufacturer |
|---------------------|----------------------|
| 4285A+42841A+42842C | Agilent Technologies |

* Equivalent measurement equipment may be used.

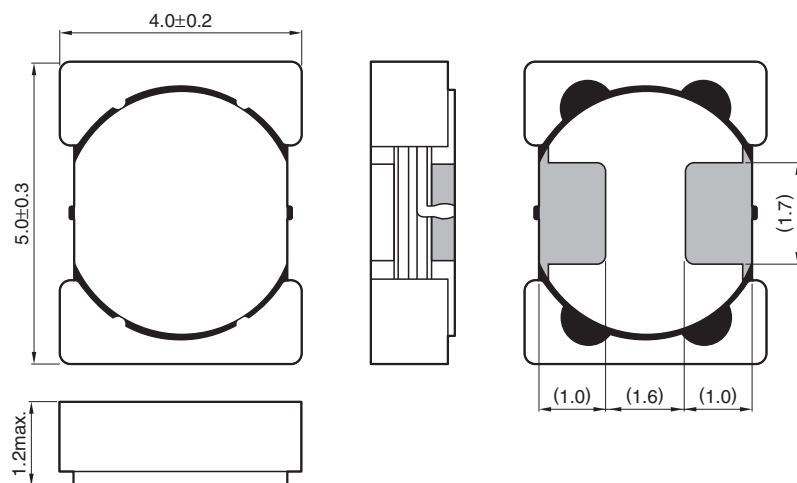
• All specifications are subject to change without notice.

VLF-M series

VLF504012MT Type

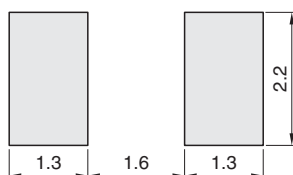


■ SHAPE & DIMENSIONS



Dimensions in mm

■ RECOMMENDED LAND PATTERN



Dimensions in mm

VLF-M series VLF504012MT Type

■ ELECTRICAL CHARACTERISTICS

□ CHARACTERISTICS SPECIFICATION TABLE

| L (μ H) | Tolerance | Measuring frequency (MHz) | DC resistance (Ω) | | Rated current(A)* | | | Part No. |
|-----------------|------------|---------------------------------|-------------------------------|-------|-------------------|--------------|------|------------------|
| | | | max. | typ. | max. Idc1 | typ. Idc1 | Idc2 | |
| 1.0 | $\pm 30\%$ | 1.0 | 0.038 | 0.032 | 3.67 | 4.08 | 3.19 | VLF504012MT-1R0N |
| 1.5 | $\pm 30\%$ | 1.0 | 0.048 | 0.040 | 3.02 | 3.36 | 2.91 | VLF504012MT-1R5N |
| 2.2 | $\pm 20\%$ | 1.0 | 0.055 | 0.046 | 2.54 | 2.82 | 2.71 | VLF504012MT-2R2M |
| 3.3 | $\pm 20\%$ | 1.0 | 0.074 | 0.062 | 2.13 | 2.37 | 2.47 | VLF504012MT-3R3M |
| 4.7 | $\pm 20\%$ | 1.0 | 0.12 | 0.10 | 1.75 | 1.94 | 1.83 | VLF504012MT-4R7M |
| 6.8 | $\pm 20\%$ | 1.0 | 0.17 | 0.14 | 1.48 | 1.64 | 1.77 | VLF504012MT-6R8M |
| 10.0 | $\pm 20\%$ | 1.0 | 0.23 | 0.19 | 1.18 | 1.32 | 1.30 | VLF504012MT-100M |
| 15.0 | $\pm 20\%$ | 1.0 | 0.32 | 0.27 | 1.01 | 1.12 | 1.08 | VLF504012MT-150M |
| 22.0 | $\pm 20\%$ | 1.0 | 0.58 | 0.48 | 0.80 | 0.89 | 0.84 | VLF504012MT-220M |

* Rated current: smaller value of either Idc1 or Idc2.

Idc1: When based on the inductance change rate (30% below the nominal value)

Idc2: When based on the temperature increase (Temperature increase of 40°C by self heating)

○ Measurement equipment

| Measurement item | Product No. | Manufacturer |
|--------------------|---------------------|----------------------|
| L | 4294A | Agilent Technologies |
| DC resistance | VP-2941A | Panasonic |
| Rated current Idc1 | 4285A+42841A+42842C | Agilent Technologies |

* Equivalent measurement equipment may be used.

VLF-M series VLF504012MT Type

ELECTRICAL CHARACTERISTICS

L FREQUENCY CHARACTERISTICS GRAPH



○ Measurement equipment

| Product No. | Manufacturer |
|-------------|----------------------|
| 4294A | Agilent Technologies |

* Equivalent measurement equipment may be used.

VLF-M series VLF504012MT Type

ELECTRICAL CHARACTERISTICS

INDUCTANCE VS. DC BIAS CHARACTERISTICS GRAPH



○ Measurement equipment

| Product No. | Manufacturer |
|---------------------|----------------------|
| 4285A+42841A+42842C | Agilent Technologies |

* Equivalent measurement equipment may be used.

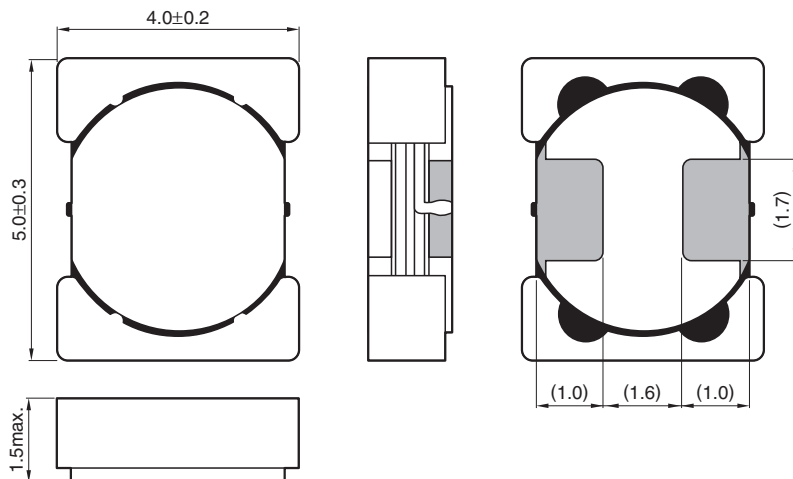
• All specifications are subject to change without notice.

VLF-M series

VLF504015MT Type

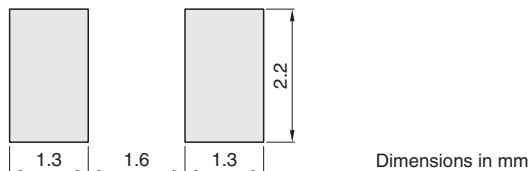


SHAPE & DIMENSIONS



Dimensions in mm

RECOMMENDED LAND PATTERN



Dimensions in mm

• All specifications are subject to change without notice.

VLF-M series VLF504015MT Type

■ ELECTRICAL CHARACTERISTICS

□ CHARACTERISTICS SPECIFICATION TABLE

| L (μ H) | Tolerance | Measuring frequency (MHz) | DC resistance (Ω) | | Rated current(A)* | | | Part No. |
|-----------------|------------|---------------------------------|-------------------------------|-------|-------------------|------|------|------------------|
| | | | max. | typ. | ldc1 | ldc1 | ldc2 | |
| 1.0 | $\pm 30\%$ | 1.0 | 0.032 | 0.026 | 3.72 | 4.14 | 3.61 | VLF504015MT-1R0N |
| 1.5 | $\pm 30\%$ | 1.0 | 0.038 | 0.032 | 3.42 | 3.80 | 3.27 | VLF504015MT-1R5N |
| 2.2 | $\pm 20\%$ | 1.0 | 0.053 | 0.044 | 2.71 | 3.01 | 2.60 | VLF504015MT-2R2M |
| 3.3 | $\pm 20\%$ | 1.0 | 0.063 | 0.053 | 2.33 | 2.59 | 2.51 | VLF504015MT-3R3M |
| 4.7 | $\pm 20\%$ | 1.0 | 0.07 | 0.06 | 1.98 | 2.20 | 2.43 | VLF504015MT-4R7M |
| 6.8 | $\pm 20\%$ | 1.0 | 0.10 | 0.08 | 1.65 | 1.83 | 2.00 | VLF504015MT-6R8M |
| 10.0 | $\pm 20\%$ | 1.0 | 0.14 | 0.12 | 1.30 | 1.44 | 1.58 | VLF504015MT-100M |
| 15.0 | $\pm 20\%$ | 1.0 | 0.22 | 0.18 | 1.13 | 1.25 | 1.37 | VLF504015MT-150M |
| 22.0 | $\pm 20\%$ | 1.0 | 0.31 | 0.26 | 0.93 | 1.03 | 1.08 | VLF504015MT-220M |

* Rated current: smaller value of either ldc1 or ldc2.

ldc1: When based on the inductance change rate (30% below the nominal value)

ldc2: When based on the temperature increase (Temperature increase of 40°C by self heating)

○ Measurement equipment

| Measurement item | Product No. | Manufacturer |
|--------------------|---------------------|----------------------|
| L | 4294A | Agilent Technologies |
| DC resistance | VP-2941A | Panasonic |
| Rated current ldc1 | 4285A+42841A+42842C | Agilent Technologies |

* Equivalent measurement equipment may be used.

VLF-M series VLF504015MT Type

ELECTRICAL CHARACTERISTICS

L FREQUENCY CHARACTERISTICS GRAPH



○ Measurement equipment

| Product No. | Manufacturer |
|-------------|----------------------|
| 4294A | Agilent Technologies |

* Equivalent measurement equipment may be used.

• All specifications are subject to change without notice.

VLF-M series VLF504015MT Type

ELECTRICAL CHARACTERISTICS

INDUCTANCE VS. DC BIAS CHARACTERISTICS GRAPH



○ Measurement equipment

| Product No. | Manufacturer |
|---------------------|----------------------|
| 4285A+42841A+42842C | Agilent Technologies |

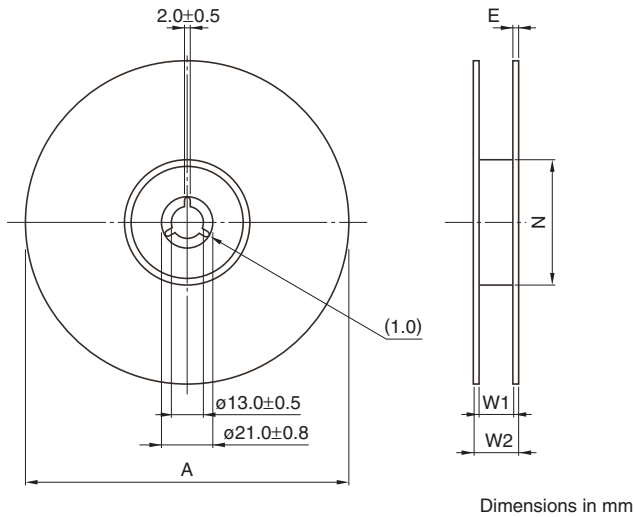
* Equivalent measurement equipment may be used.

• All specifications are subject to change without notice.

VLF-M series

Packaging Style

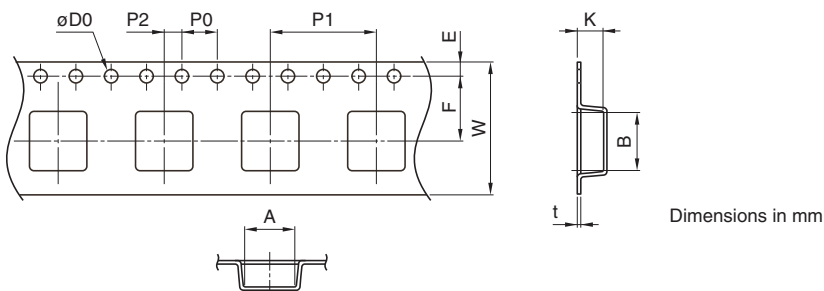
REEL DIMENSIONS



| Type | A | W1 | W2 | N | E |
|-------------|------|----|----|-----|-----|
| VLF252010MT | ø180 | 9 | 13 | ø60 | 0.5 |
| VLF252012MT | ø180 | 9 | 13 | ø60 | 0.5 |
| VLF252015MT | ø180 | 9 | 13 | ø60 | 0.5 |
| VLF302510MT | ø180 | 9 | 13 | ø60 | 0.5 |
| VLF302512MT | ø180 | 9 | 13 | ø60 | 0.5 |
| VLF302515MT | ø180 | 9 | 13 | ø60 | 0.5 |
| VLF403210MT | ø180 | 13 | 17 | ø60 | 0.5 |
| VLF403212MT | ø180 | 13 | 17 | ø60 | 0.5 |
| VLF403215MT | ø180 | 13 | 17 | ø60 | 0.5 |
| VLF504010MT | ø180 | 13 | 17 | ø60 | 0.5 |
| VLF504012MT | ø180 | 13 | 17 | ø60 | 0.5 |
| VLF504015MT | ø180 | 13 | 17 | ø60 | 0.5 |

* These values are typical values.

TAPE DIMENSIONS



| Type | A | B | øD0 | E | F | P0 | P1 | P2 | W | K | t |
|-------------|------|------|------------|----------|----------|---------|----------|-----------|-----------|------|------|
| VLF252010MT | 2.3 | 2.8 | 1.5+0.1/-0 | 1.75±0.1 | 3.50±0.1 | 4.0±0.1 | 4.00±0.1 | 2.00±0.05 | 8.00±0.2 | 1.15 | 0.25 |
| VLF252012MT | 2.3 | 2.8 | 1.5+0.1/-0 | 1.75±0.1 | 3.50±0.1 | 4.0±0.1 | 4.00±0.1 | 2.00±0.05 | 8.00±0.2 | 1.35 | 0.25 |
| VLF252015MT | 2.3 | 2.8 | 1.5+0.1/-0 | 1.75±0.1 | 3.50±0.1 | 4.0±0.1 | 4.00±0.1 | 2.00±0.05 | 8.00±0.2 | 1.65 | 0.25 |
| VLF302510MT | 2.8 | 3.3 | 1.5+0.1/-0 | 1.75±0.1 | 3.50±0.1 | 4.0±0.1 | 4.00±0.1 | 2.00±0.05 | 8.00±0.2 | 1.15 | 0.25 |
| VLF302512MT | 2.8 | 3.3 | 1.5+0.1/-0 | 1.75±0.1 | 3.50±0.1 | 4.0±0.1 | 4.00±0.1 | 2.00±0.05 | 8.00±0.2 | 1.35 | 0.25 |
| VLF302515MT | 2.8 | 3.3 | 1.5+0.1/-0 | 1.75±0.1 | 3.50±0.1 | 4.0±0.1 | 4.00±0.1 | 2.00±0.05 | 8.00±0.2 | 1.65 | 0.25 |
| VLF403210MT | 3.65 | 4.45 | 1.5+0.1/-0 | 1.75±0.1 | 5.50±0.1 | 4.0±0.1 | 8.00±0.1 | 2.00±0.05 | 12.00±0.2 | 1.15 | 0.25 |
| VLF403212MT | 3.65 | 4.45 | 1.5+0.1/-0 | 1.75±0.1 | 5.50±0.1 | 4.0±0.1 | 8.00±0.1 | 2.00±0.05 | 12.00±0.2 | 1.35 | 0.25 |
| VLF403215MT | 3.65 | 4.45 | 1.5+0.1/-0 | 1.75±0.1 | 5.50±0.1 | 4.0±0.1 | 8.00±0.1 | 2.00±0.05 | 12.00±0.2 | 1.65 | 0.25 |
| VLF504010MT | 4.45 | 5.45 | 1.5+0.1/-0 | 1.75±0.1 | 5.50±0.1 | 4.0±0.1 | 8.00±0.1 | 2.00±0.05 | 12.00±0.2 | 1.15 | 0.25 |
| VLF504012MT | 4.45 | 5.45 | 1.5+0.1/-0 | 1.75±0.1 | 5.50±0.1 | 4.0±0.1 | 8.00±0.1 | 2.00±0.05 | 12.00±0.2 | 1.35 | 0.25 |
| VLF504015MT | 4.45 | 5.45 | 1.5+0.1/-0 | 1.75±0.1 | 5.50±0.1 | 4.0±0.1 | 8.00±0.1 | 2.00±0.05 | 12.00±0.2 | 1.65 | 0.25 |

• All specifications are subject to change without notice.